

# SILVER 160

## ACCESSORIES

### GENERAL

6-WAY AUXILIARY DISTRIBUTOR.....	0E.00.1
8-WAY AUXILIARY DISTRIBUTOR.....	0E.00.2
6-WAY AUXILIARY DISTRIBUTOR.....	0E.00.3
8-WAY DISTRIBUTOR EQUIPMENT.....	0E.00.4
6-WAY DISTRIBUTOR EQUIPMENT.....	0E.00.5
8-WAY DISTRIBUTOR EQUIPMENT.....	0E.00.6
REXROTH 6-WAY AUXILIARY CONTROL VALVE.....	0E.00.7
REXROTH 8-WAY AUXILIARY CONTROL VALVE.....	0E.00.8
3 POINT HITCH.....	0E.00.9
3 POINT HITCH.....	0E.00.10
3-POINT HITCH - ADJUSTABLE RH RODS.....	0E.00.11
3-POINT HITCH - SIDE STABILIZERS.....	0E.00.12
3-POINT HITCH WITH HYDRAULIC LIFT ROD.....	0E.00.13
THREE-POINT HITCH - AUTOMATIC LATERAL STABILIZERS.....	0E.00.14
TOWING BAR.....	0E.00.15
FRONT TOWING HITCH.....	0E.00.16
FRONT TOWING HITCH.....	0E.00.17
REAR TOWING HITCH.....	0E.00.18
DRAWBAR COUPLING CAT: "D3".....	0E.00.19
REAR TOWING HITCH CAT: "D3" GRASSI.....	0E.00.20
REAR TOWING HITCH CAT: "D2" GRASSI.....	0E.00.21
DRAWBAR COUPLING - EXPORT CH (CRAMER).....	0E.00.22
DRAWBAR COUPLING - MM 38 (CRAMER).....	0E.00.23
DRAWBAR COUPLING - MM 32 (CRAMER).....	0E.00.24
REAR TOWING HITCH (GRASSI).....	0E.00.25
REAR OSCILLATING HITCH.....	0E.00.26
REAR OSCILLATING HITCH.....	0E.00.27
FRONT BALLAST 600 Kg.....	0E.00.28
BALLAST LOCK BAR.....	0E.00.29
FRONT WEIGHT CARRIER.....	0E.00.30
FRONT BALLAST n. 2.....	0E.00.31
FRONT BALLAST n. 4.....	0E.00.32
FRONT BALLAST n. 8.....	0E.00.33
WHEEL BALLAST.....	0E.00.34
WHEEL BALLAST.....	0E.00.35
HYDRAULIC BREAKING FOR TRAILER - ITALY -.....	0E.00.36
HYDRAULIC BREAKING FOR TRAILER - EXPORT F.....	0E.00.37
EQUIPMENT WITHOUT TRAILER BRAKING SYSTEM.....	0E.00.38
HYDRAULIC TRAILER BRAKING PARTS KIT ITALY.....	0E.00.39
LUBRICATOR.....	0E.00.40



**6-WAY AUXILIARY DISTRIBUTOR**

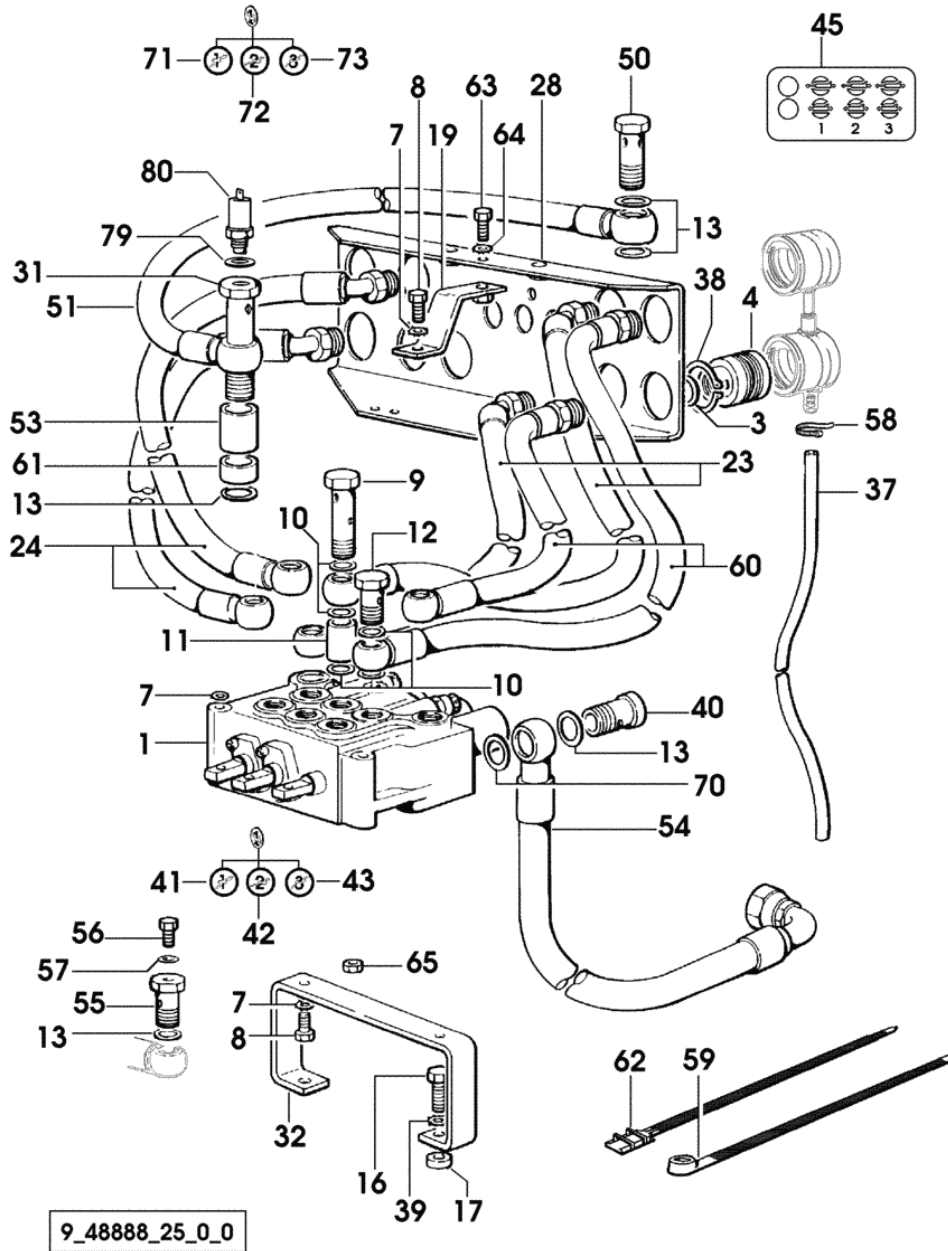


Fig.	Code	QTY	Name
1	2.3719.340.0/50	1	distributor COMPONENT PARTS SEE COMPONENTS LIST ☞ 2.3719.340.0/50 ☞ 0E.00.65
3	2.1560.054.0	6	gasket 21 x 26
4	0.98309.50.3/10	6	coupling COMPONENT PARTS SEE COMPONENTS LIST ☞ 0.98309.50.3/10 ☞ 0E.00.66
7	2.1470.004.2	6	washer 8
8	2.0112.205.2	3	screw m 8 p.1.25 x 16
9	2.3339.585.2/10	2	pipe union
10	2.1560.014.0	17	gasket 18.2 x 24 x 1.5
11	2.1549.089.2	3	spacer 18.6x25x30
12	2.3335.008.2	4	pipe union m 18 p.1.5 x 32
13	2.1560.018.0	9	gasket 22.2 x 29
16	2.0112.311.2	1	screw m 10 p.1.5 x 30
17	2.1579.350.2	1	spacer 10.5x20x6
19	0.009.3625.2	1	bracket
23	0.009.2425.3/20	2	tube
24	0.009.2424.3/20	2	tube dx mm 510
28	0.009.2367.2/80	1	plate
31	2.3339.807.2/10	1	pipe union
32	0.009.2369.0	1	bracket
37	0.009.2330.0/10	4	exhaust
38	2.1410.015.1	12	circlip 38
39	2.1470.006.2	2	lock washer 10
40	2.3339.581.2/10	1	pipe union
41	2.9929.412.0	1	plate 1
42	2.9929.413.0	1	plate 2
43	2.9929.414.0	1	plate 3
45	2.9929.730.0	1	plate
50	2.3335.009.2	1	pipe union m 22 p.1.5 x 39
51	0.008.2876.3/30	1	tube
53	2.1549.088.2/30	1	spacer 22.5 x 30 x 32.5
54	0.009.2341.3/20	1	tube
55	2.3339.634.2	1	pipe union m 22 x 1.5
56	2.3110.401.1	1	plug m 10 p.1x8
57	2.1560.006.0	1	gasket 10.2 x 16
58	2.6850.001.0	3	clamp 8-16
59	0.98503.67.0	2	clamp
60	0.009.3279.3/10	2	tube

**6-WAY AUXILIARY DISTRIBUTOR**

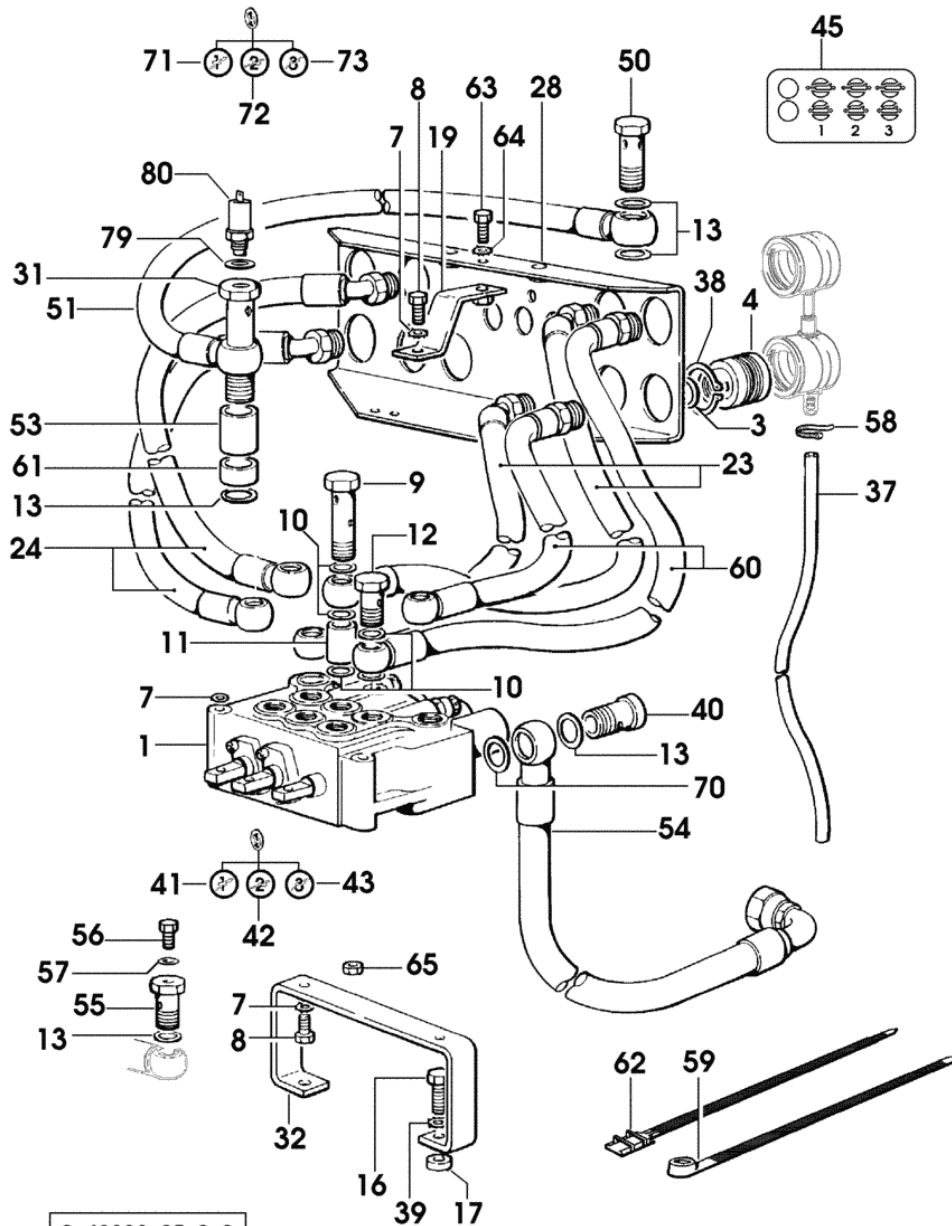
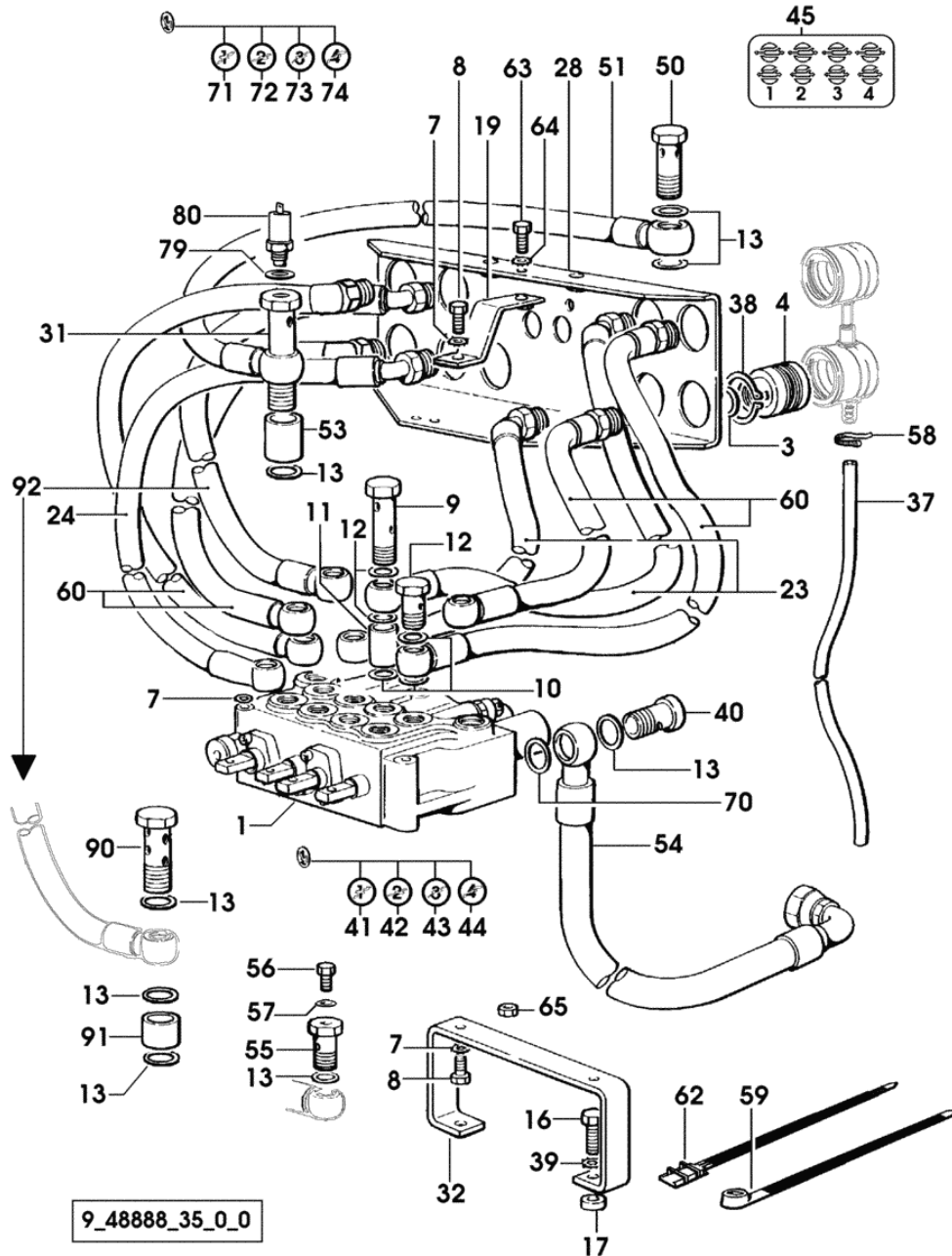


Fig.	Code	QTY	Name
61	2.1549.158.2	1	spacer 22.5 x 30 x 14
62	2.6859.030.0	2	clamp
63	2.0112.307.2	1	screw m 10 p.1.5 x 20
64	2.1470.006.2	1	lock washer 10
65	2.1011.105.2	1	nut m 8 p.1.25
70	2.1569.172.0	1	gasket 29x22.2x5
71	2.9929.412.0	1	plate 1
72	2.9929.413.0	1	plate 2
73	2.9929.414.0	1	plate 3
79	2.1560.010.0	1	gasket 14.2 x 20 x 1.5
80	2.7069.070.0	1	thermostat

9\_48888\_25\_0\_0



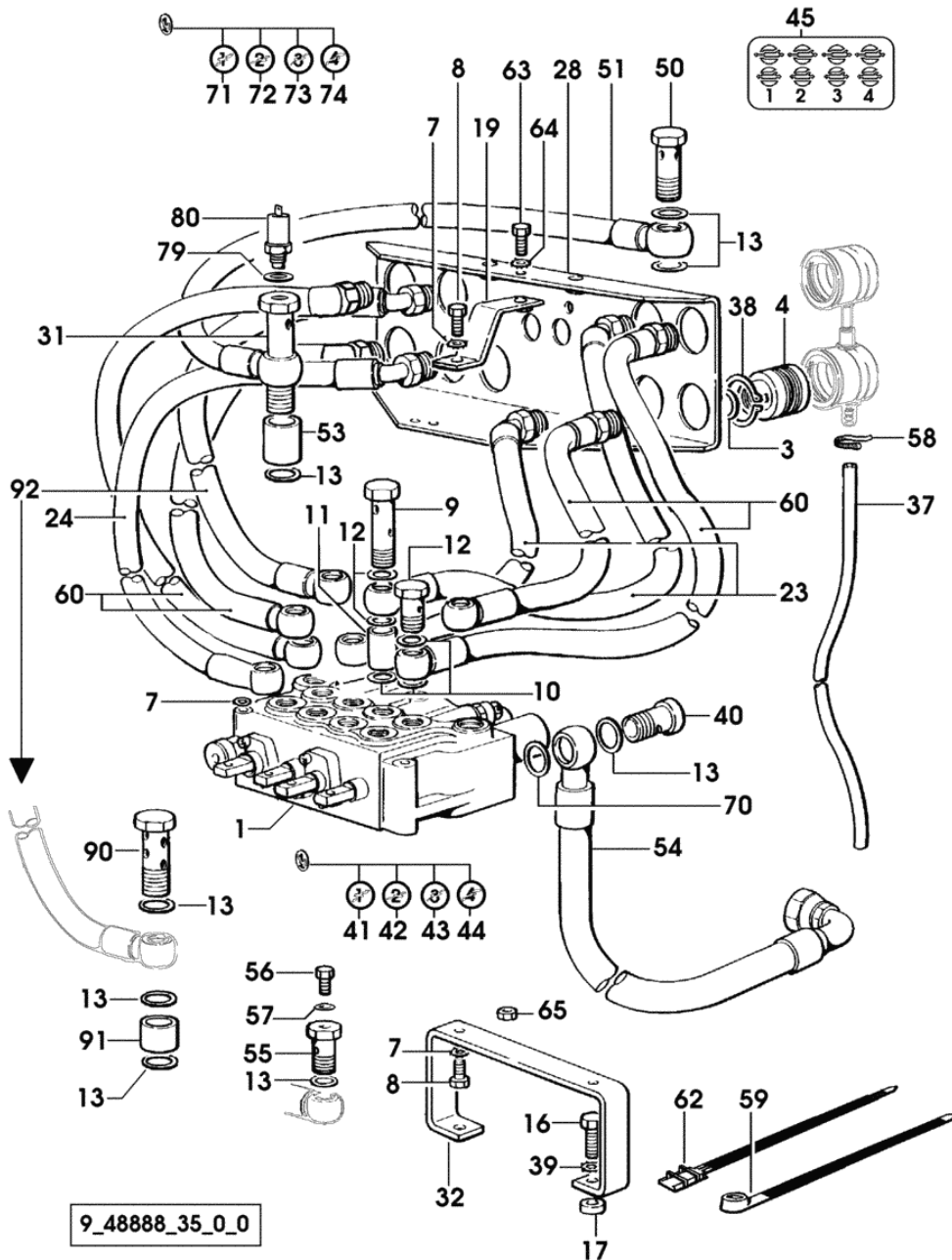
Section: ACCESSORIES  
**8-WAY AUXILIARY DISTRIBUTOR**



9\_48888\_35\_0\_0

Fig.	Code	QTY	Name
1	2.3719.390.0/60	1	distributor COMPONENT PARTS SEE COMPONENTS LIST ☞ 2.3719.390.0/60 ☞ 0E.00.67
3	2.1560.054.0	8	gasket 21 x 26
4	0.98309.50.3/10	8	coupling COMPONENT PARTS SEE COMPONENTS LIST ☞ 0.98309.50.3/10 ☞ 0E.00.66
7	2.1470.004.2	6	washer 8
8	2.0112.205.2	3	screw m 8 p.1.25 x 16
9	2.3339.585.2/10	1	pipe union
10	2.1560.014.0	25	gasket 18.2 x 24 x 1.5
11	2.1549.089.2	2	spacer 18.6x25x30
12	2.3335.008.2	5	pipe union m 18 p.1.5 x 32
13	2.1560.018.0	12	gasket 22.2 x 29
16	2.0112.311.2	2	screw m 10 p.1.5 x 30
17	2.1579.350.2	2	spacer 10.5x20x6
19	0.009.3625.2	1	bracket
23	0.009.2425.3/20	2	tube
24	0.009.2424.3/20	1	tube dx mm 510
28	0.009.2367.2/80	1	plate
31	2.3339.807.2/10	1	pipe union
32	0.009.2369.0	1	bracket
37	0.009.2330.0/10	4	exhaust
38	2.1410.015.1	16	circlip 38
39	2.1470.006.2	2	lock washer 10
40	2.3339.581.2/10	1	pipe union
41	2.9929.412.0	1	plate 1
42	2.9929.413.0	1	plate 2
43	2.9929.414.0	1	plate 3
44	2.9929.415.0	1	plate 4
45	2.9929.416.0	1	plate
50	2.3335.009.2	1	pipe union m 22 p.1.5 x 39
51	0.008.2876.3/30	1	tube
53	2.1549.088.2/30	1	spacer 22.5 x 30 x 32.5
54	0.009.2341.3/20	1	tube
55	2.3339.634.2	1	pipe union m 22 x 1.5
56	2.3110.401.1	1	plug m 10 p.1x8
57	2.1560.006.0	1	gasket 10.2 x 16
58	2.6850.001.0	4	clamp 8-16
59	0.98503.67.0	4	clamp

**8-WAY AUXILIARY DISTRIBUTOR**



9\_48888\_35\_0\_0

Fig.	Code	QTY	Name
60	0.009.3279.3/10	4	tube
62	2.6859.030.0	2	clamp
63	2.0112.307.2	1	screw m 10 p.1.5 x 20
64	2.1470.006.2	1	lock washer 10
65	2.1011.105.2	1	nut m 8 p.1.25
70	2.1569.172.0	1	gasket 29x22.2x5
71	2.9929.412.0	1	plate 1
72	2.9929.413.0	1	plate 2
73	2.9929.414.0	1	plate 3
74	2.9929.415.0	1	plate 4
79	2.1560.010.0	1	gasket 14.2 x 20 x 1.5
80	2.7069.070.0	1	thermostat
90	2.3339.899.2	1	pipe union
91	2.1549.406.2	1	spacer 22x32x25
92	0.011.3938.3	1	tube mm 490

Section: ACCESSORIES  
**6-WAY AUXILIARY DISTRIBUTOR**

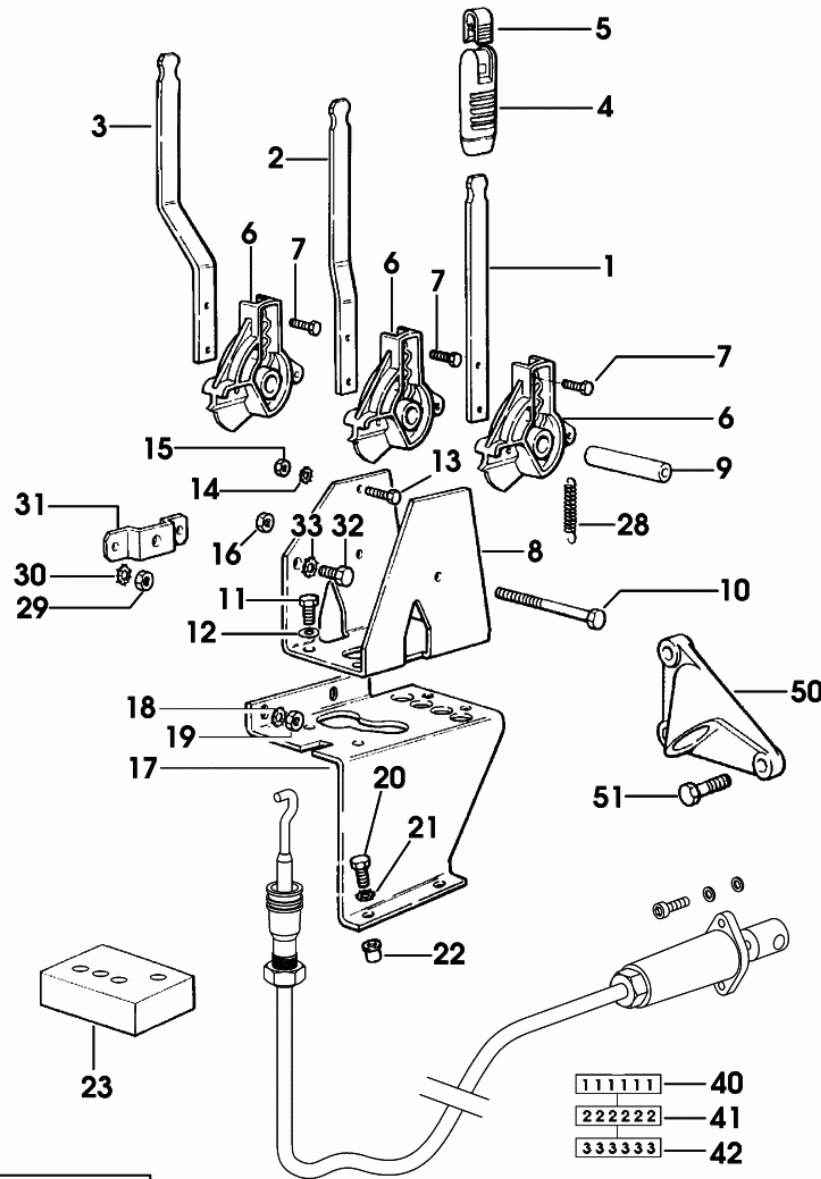


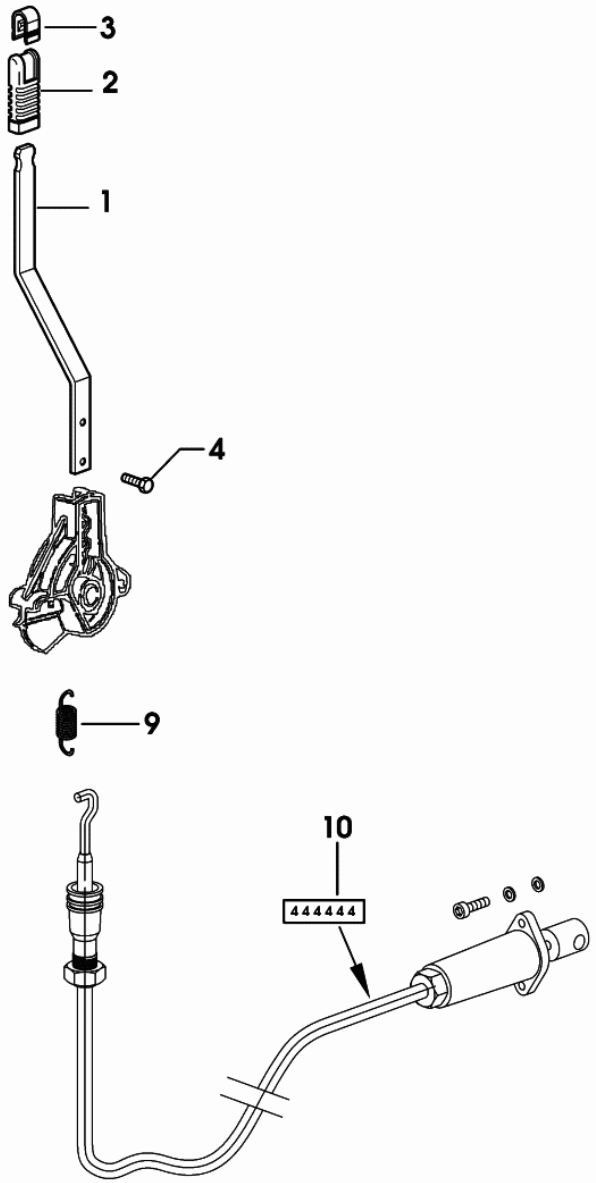
Fig.	Code	QTY	Name
1	0.009.1605.0/10	1	lever 1
2	0.009.1606.0/10	1	lever 2
3	0.009.1607.0/10	1	lever 3
4	0.009.0137.0	3	knob
5	0.009.0140.0	3	coupling
6	0.009.1749.0/20	4	controller
7	2.0112.005.2	6	screw m 6 p.1 x 16
8	0.009.1583.0/20	1	support
9	2.1549.036.2	1	spacer
10	2.0112.233.2	1	screw m 8 p.1.25 x 120
11	2.0112.205.2	4	screw m 8 p.1.25 x 16
12	2.1310.004.2	4	flat washer 8.5
13	2.0112.011.2	1	screw m 6 p.1x30
14	2.1470.002.2	1	washer 6, d128
15	2.1011.103.2	1	nut m 6 p.1
16	2.1120.005.2	1	nut m 8 p.1.25
17	0.009.1582.2/40	1	bracket
18	2.1470.004.2	2	washer 8
19	2.1011.105.2	2	nut m 8 p.1.25
20	2.0112.205.2	2	screw m 8 p.1.25 x 16
21	2.1470.004.2	2	washer 8
22	2.1142.005.2	2	insert m 8
23	0.011.0722.0/10	1	sound deadening
28	2.4049.160.2	3	spring
29	2.1011.105.2	2	nut m 8 p.1.25
30	2.1470.004.2	2	washer 8
31	0.009.1866.2	1	bracket
32	2.0362.307.2	1	screw m 8 x 20
33	2.1470.004.2	1	washer 8
40	2.9929.408.0	1	plate 1
41	2.9929.409.0	1	plate 2
42	2.9929.410.0	1	plate 3
50	0.009.1580.0	1	pin seat
51	2.0112.213.2	3	screw m 8 p.1.25 x 35

9\_48888\_26\_0\_0

Section: ACCESSORIES

**8-WAY DISTRIBUTOR EQUIPMENT**

Fig.	Code	QTY	Name
1	0.009.1608.0/10	1	lever
2	0.009.0137.0	1	knob
3	0.009.0140.0	1	coupling
4	2.0112.005.2	2	screw m 6 p.1 x 16
9	2.4049.160.2	1	spring
10	2.9929.411.0	1	plate 4



9\_48888\_36\_0\_0

Section: ACCESSORIES  
**6-WAY DISTRIBUTOR EQUIPMENT**

9\_12088\_28\_0\_0

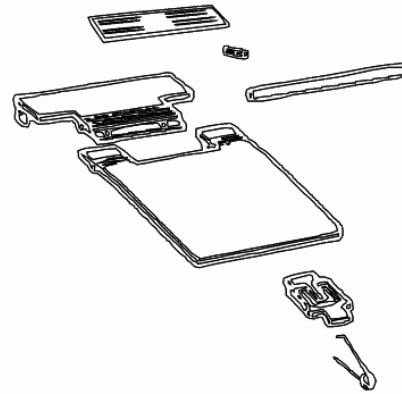
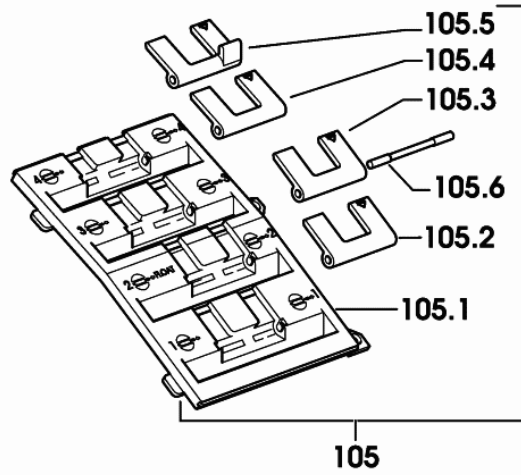
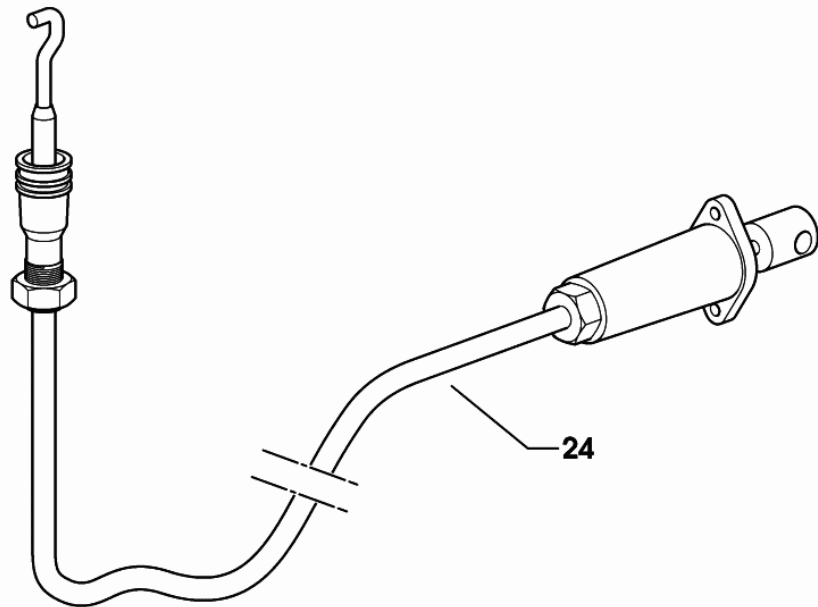
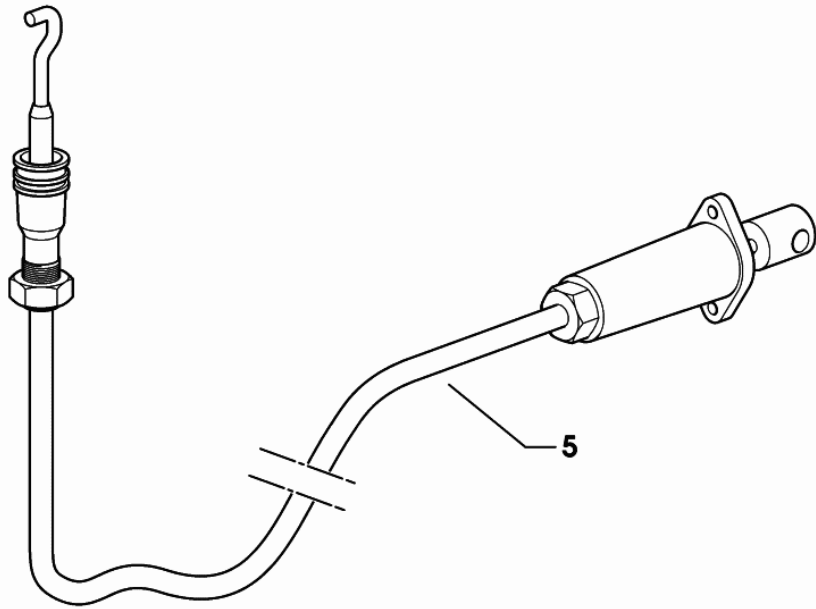


Fig.	Code	QTY	Name
24	0.009.1593.3/70	3	rod
105	0.010.0698.4	1	panel
105.1	0.000.0000.1	0	not serviceable
105.2	0.009.0216.0	1	stop 1
105.3	0.009.0215.0	1	stop 2
105.4	0.009.0214.0	1	stop 3
105.5	0.009.0213.0	1	stop 4
105.6	0.000.0000.1	0	not serviceable



**8-WAY DISTRIBUTOR EQUIPMENT**

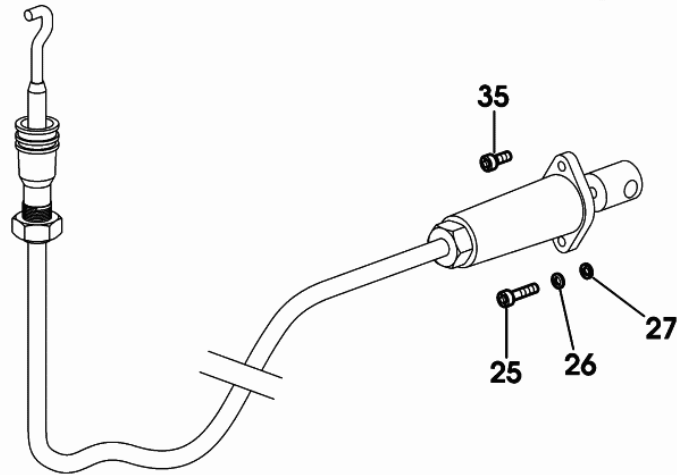
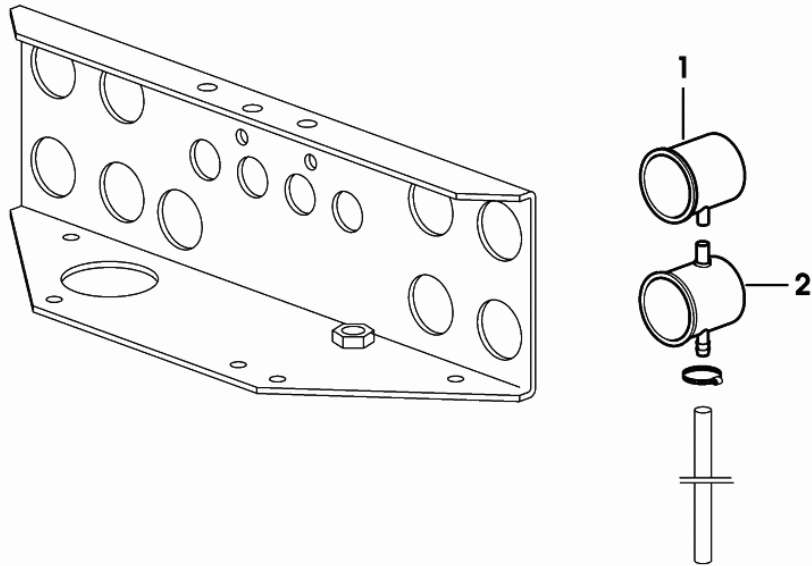
Fig.	Code	QTY	Name
5	0.009.1593.3/70	1	rod



9\_12088\_38\_0\_0

**REXROTH 6-WAY AUXILIARY CONTROL VALVE**

Fig.	Code	QTY	Name
1	0.009.3630.0	3	plug
2	0.009.3629.0	3	plug
25	2.0312.010.2	4	screw m 5 p.0.8x30
26	2.1474.006.2	6	spring washer 5
27	2.1310.001.2	6	flat washer 5.3
35	2.0312.004.2	2	screw m 5 p.0.8 x 10

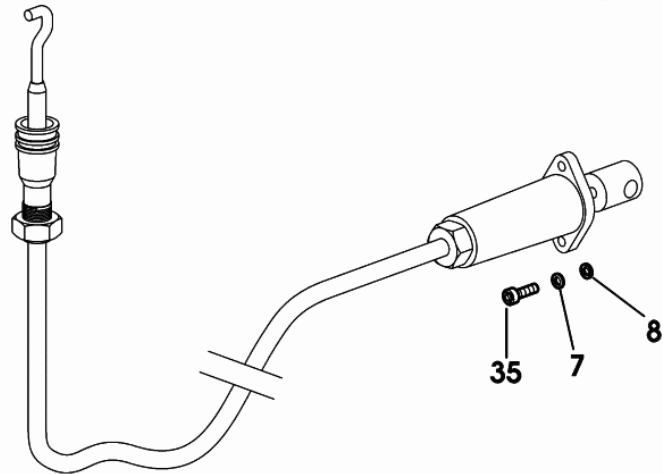
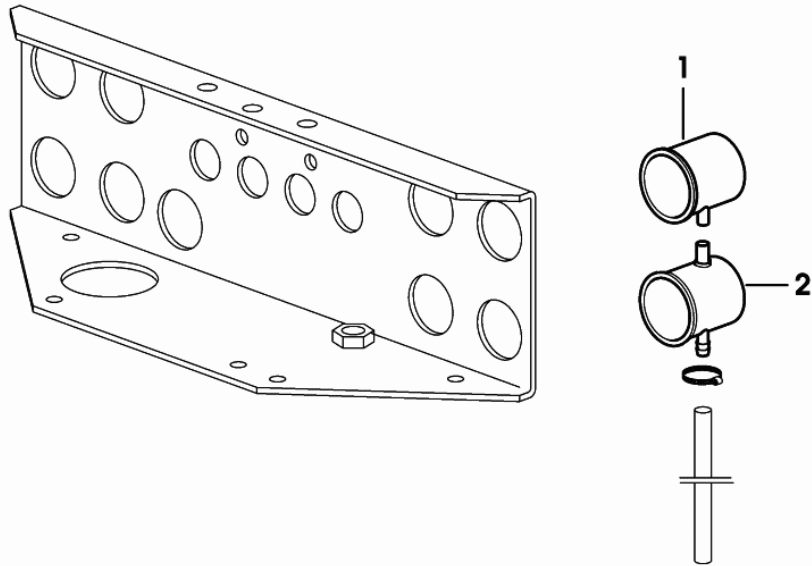


9\_48888\_27\_0\_0

Section: ACCESSORIES

**REXROTH 8-WAY AUXILIARY CONTROL VALVE**

Fig.	Code	QTY	Name
1	0.009.3630.0	4	plug
2	0.009.3629.0	4	plug
7	2.1474.006.2	2	spring washer 5
8	2.1310.001.2	2	flat washer 5.3
35	2.0312.006.2	2	screw m 5 p.0.8 x 20

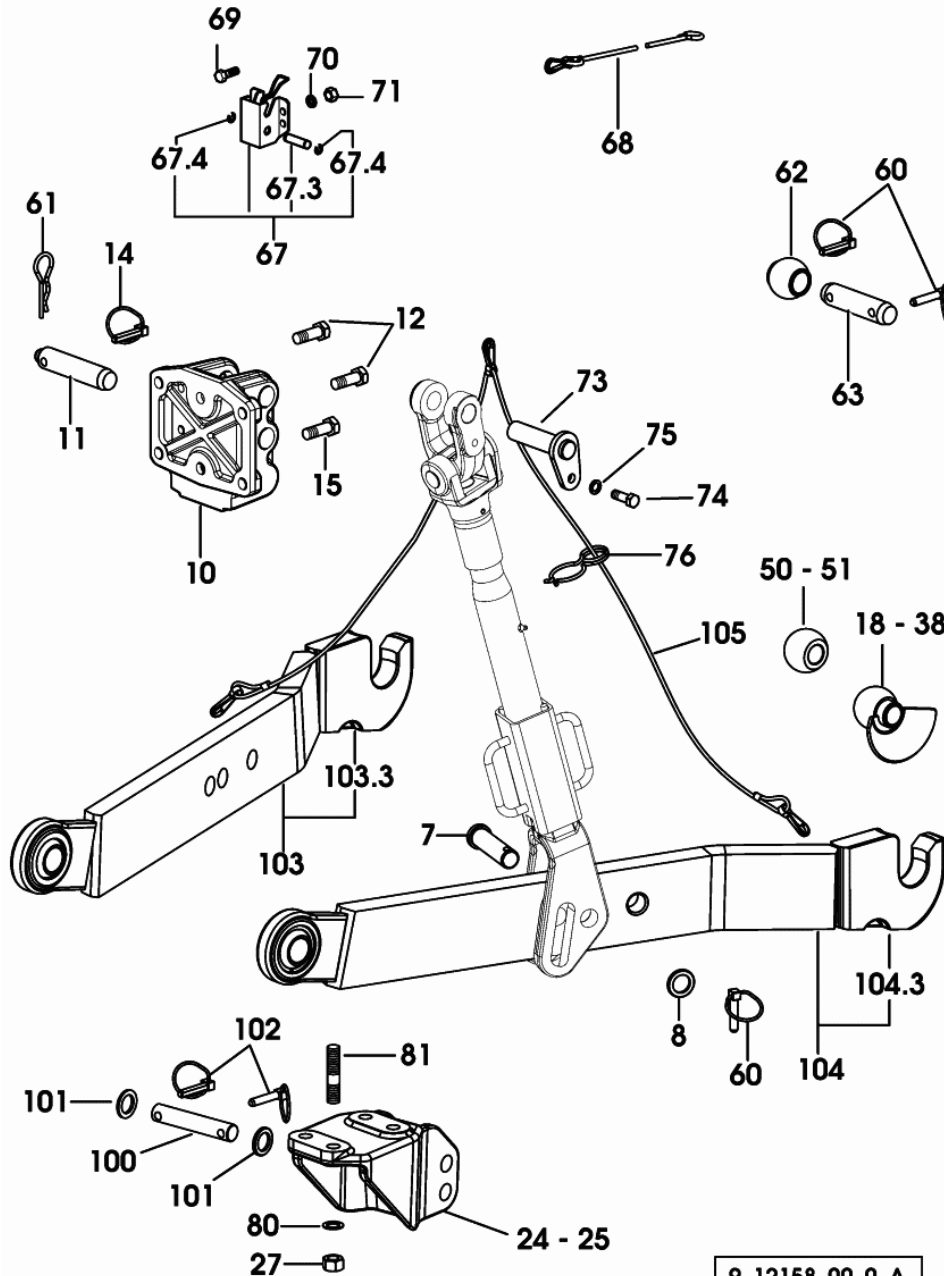


9\_48888\_37\_0\_0



Section: ACCESSORIES

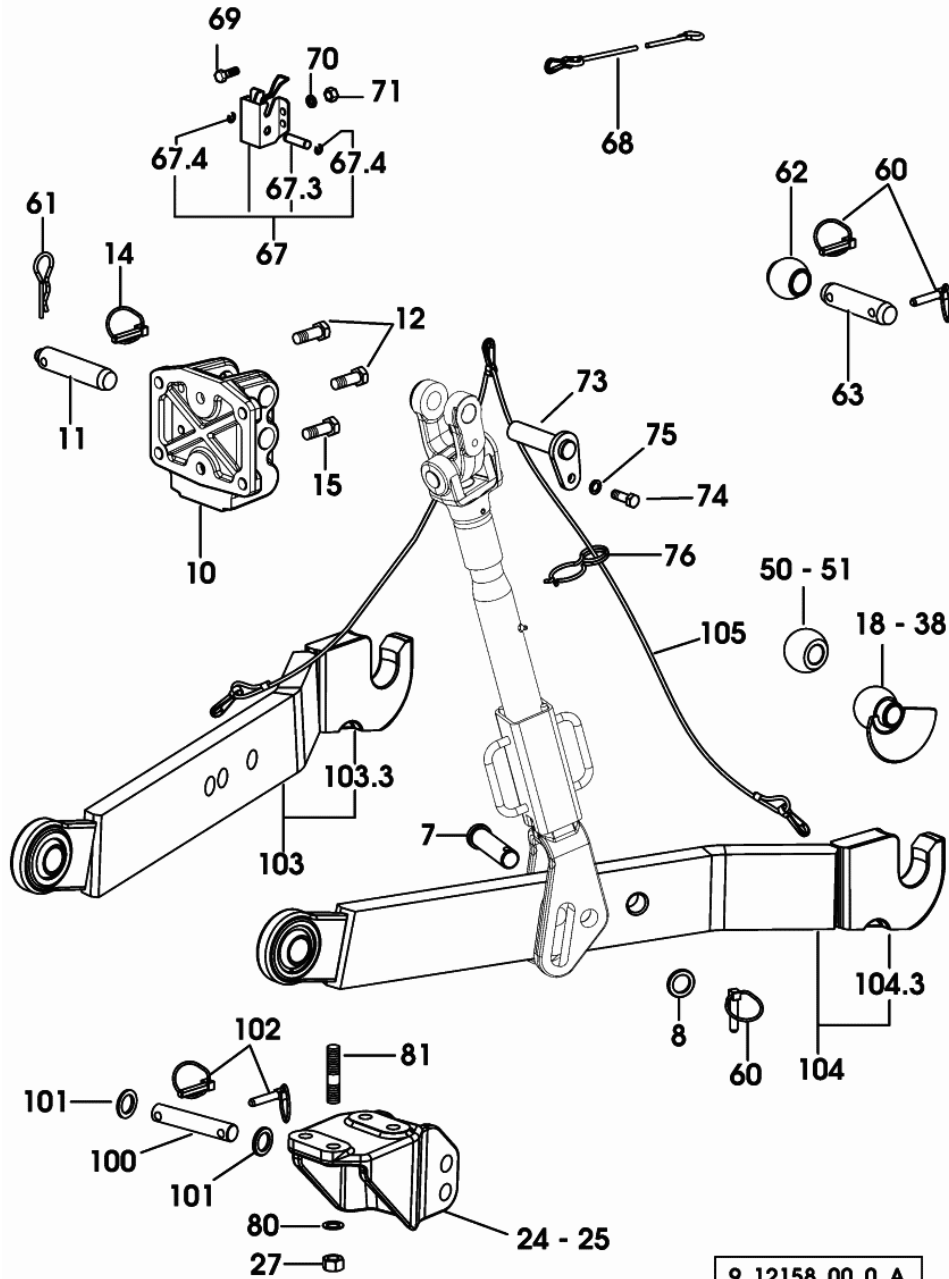
3 POINT HITCH



9\_12158\_00\_0\_A

Fig.	Code	QTY	Name
7	2.1679.082.2/10	2	pin 28x114
8	2.1311.015.2	2	flat washer 28
10	0.009.3164.0/10	1	flange
11	2.1669.059.2	1	pin 32x152
12	2.0112.617.2	4	screw m 16 p.2x45
14	0.760.2257.3	1	pin
15	2.0112.613.2	2	screw m 16 p.2x35
18	0.760.5951.3	2	pin 2 cat.
24	0.010.6426.0	1	bracket dx/rh/re
25	0.010.6427.0	1	bracket sx/lh/li
27	2.1012.310.7	8	nut m 18 x 1,5
38	0.760.3953.3	2	pin 3 cat.
50	0.760.4552.0	2	cap 2 cat.
51	0.760.3954.0	2	cap 3 cat.
60	0.010.9322.4	4	pin Ø 11
61	2.1699.084.2	1	pin Ø 27
62	0.009.2300.0	1	cap Ø 60 mm
63	2.1669.036.2	1	pin 32x133
67	0.009.3492.4/40	1	stop
67.3	2.1699.386.2	1	pin 12x42
67.4	2.1410.002.1	2	circlip 12
68	0.009.3534.0	1	cable
69	2.0112.207.2	4	screw m 8 p 1.25 x 20
70	2.1474.009.2	4	spring washer 8
71	2.1011.105.2	2	nut m 8 p.1.25
73	0.009.3144.2/10	2	pin
74	2.0112.413.2	2	screw m 12 p.1.75x35
75	2.1470.007.2	2	lock washer 12
76	0.760.2262.0	2	spring
80	2.1475.007.7	8	washer 18
81	2.0433.517.7	8	stud bolt m 18 p.1.5 x 60
100	2.1679.031.2/10	2	pin mm 25.4 x 143
101	2.1311.015.2	4	flat washer 28
102	0.010.9322.4	4	pin Ø 11
103	0.010.9856.3/10	1	right hand arm dx/rh/re
103.3	0.010.1703.3	1	automatic hook
			COMPONENT PARTS SEE
			COMPONENTS LIST
			☞ 0.010.1703.3
			☞ 0E.00.68
104	0.010.9855.3/10	1	left hand arm sx/lh/li
104.3	0.010.1703.3	1	automatic hook
			COMPONENT PARTS SEE
			COMPONENTS LIST

Section: ACCESSORIES  
**3 POINT HITCH**



9\_12158\_00\_0\_A

Fig.	Code	QTY	Name
105	0.009.2670.3	1	0.010.1703.3 0E.00.68 cable

## Section: ACCESSORIES

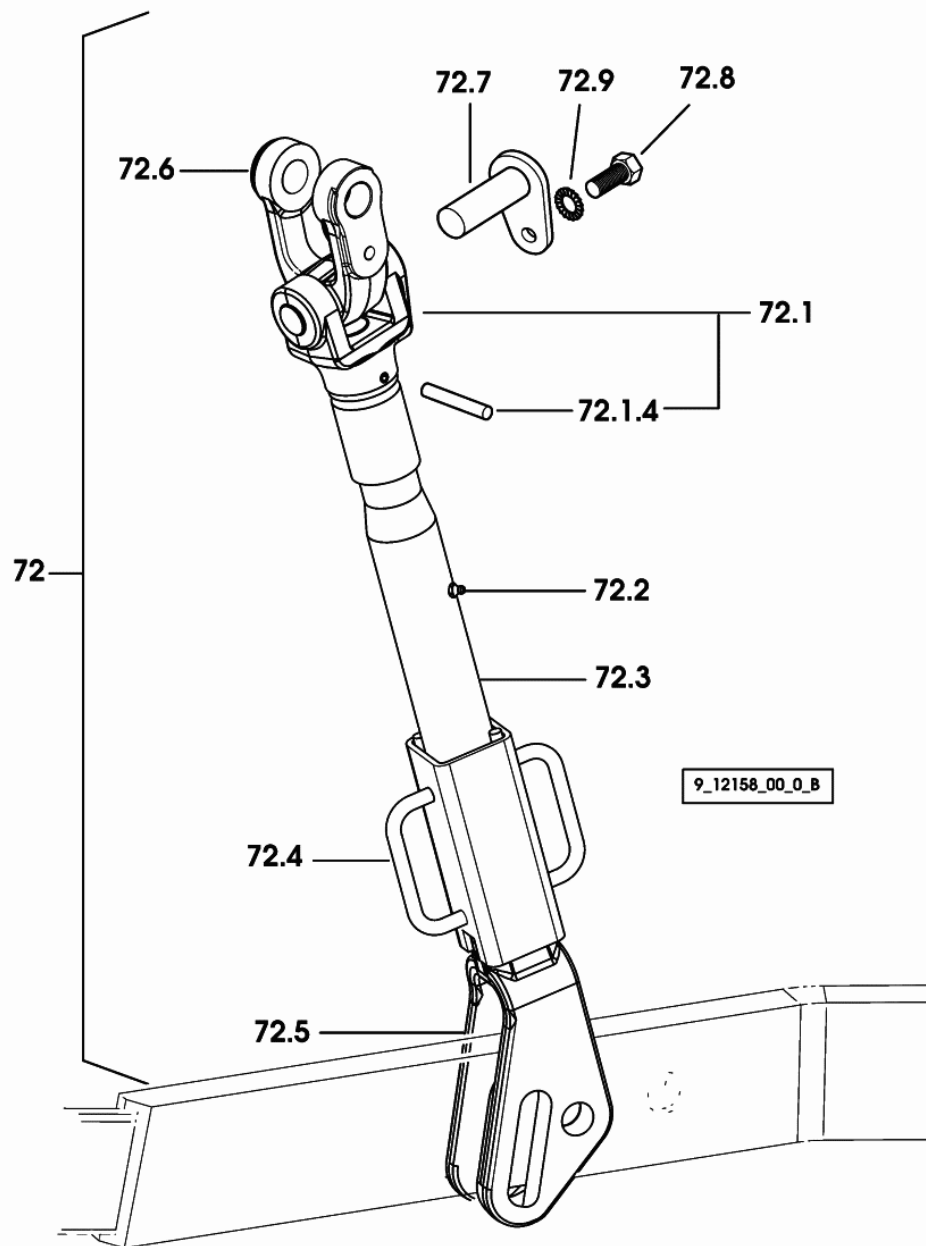
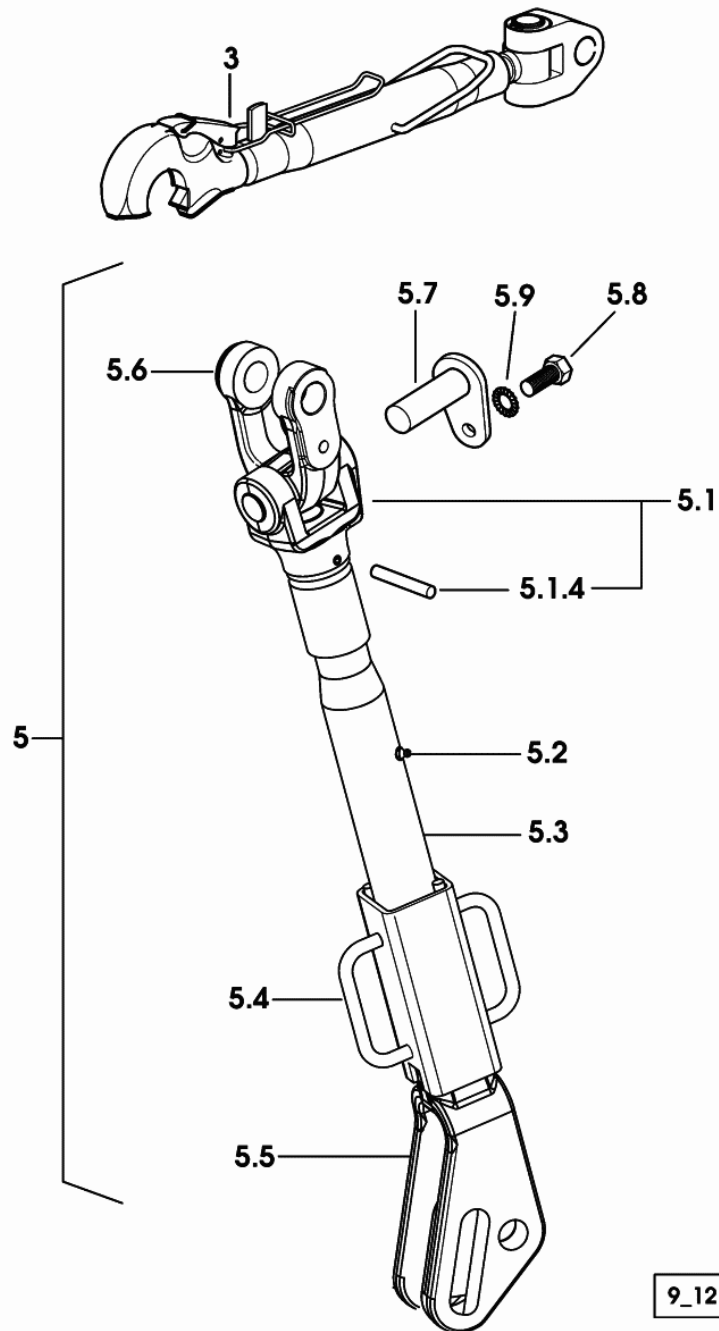
**3 POINT HITCH**

Fig.	Code	QTY	Name
72	0.012.3786.4/10	1	adjustable tensioner kpl.
72.1	0.012.3785.3/10	1	rod
72.1.4	2.1630.719.2	1	pin 8 x 60
72.2	2.3820.105.2	1	lubricator m 10 p.1 x 7
72.3	0.012.3783.2	1	sleeve
72.4	0.010.4008.2	1	tube
72.5	0.012.3784.3/10	1	fork head
72.6	0.009.2816.0/30	1	fork
72.7	0.009.3144.2/10	1	pin
72.8	2.0112.415.2	1	screw m 12 p.1.75 x 40
72.9	2.1470.007.2	1	lock washer 12

## Section: ACCESSORIES

**3-POINT HITCH - ADJUSTABLE RH RODS**

Fig.	Code	QTY	Name
3	0.009.3533.4	1	3 point hitch COMPONENT PARTS SEE COMPONENTS LIST ☞ 0.009.3533.4 ☞ 0E.00.69
5	0.012.3786.4/10	1	adjustable tensioner kpl.
5.1	0.012.3785.3/10	1	rod
5.1.4	2.1630.719.2	1	pin 8 x 60
5.2	2.3820.105.2	1	lubricator m 10 p.1 x 7
5.3	0.012.3783.2	1	sleeve
5.4	0.010.4008.2	1	tube
5.5	0.012.3784.3/10	1	fork head
5.6	0.009.2816.0/30	1	fork
5.7	0.009.3144.2/10	1	pin
5.8	2.0112.415.2	1	screw m 12 p.1.75 x 40
5.9	2.1470.007.2	1	lock washer 12

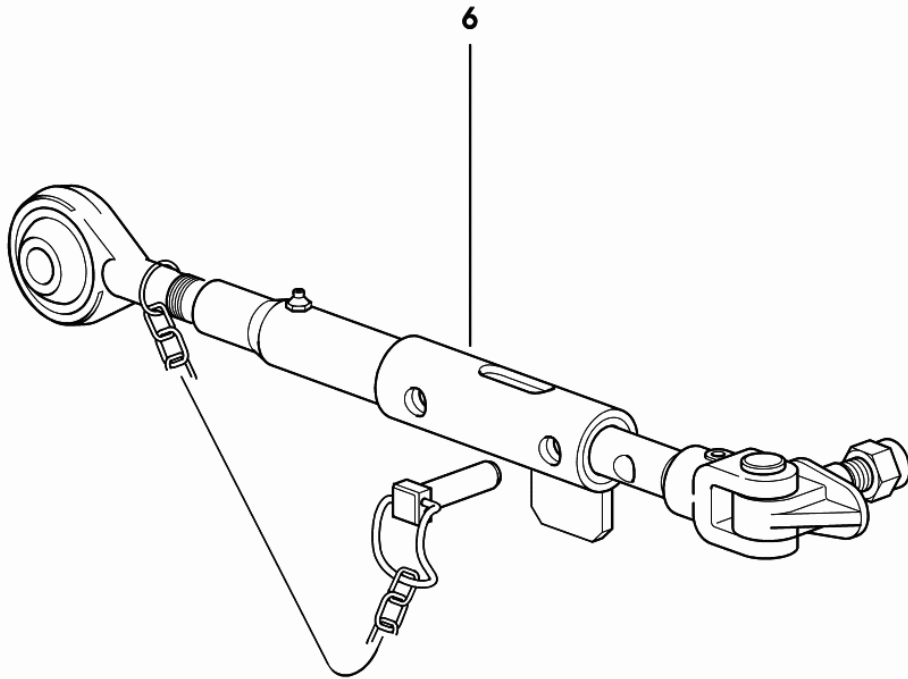


9\_12158\_14\_0\_0

Section: ACCESSORIES

**3-POINT HITCH - SIDE STABILIZERS**

Fig.	Code	QTY	Name
6	0.010.5222.4/30	2	stabiliser COMPONENT PARTS SEE COMPONENTS LIST ☞ 0.010.5222.4/30 ☞ 0E.00.70



9\_12158\_17\_0\_0

**3-POINT HITCH WITH HYDRAULIC LIFT ROD**

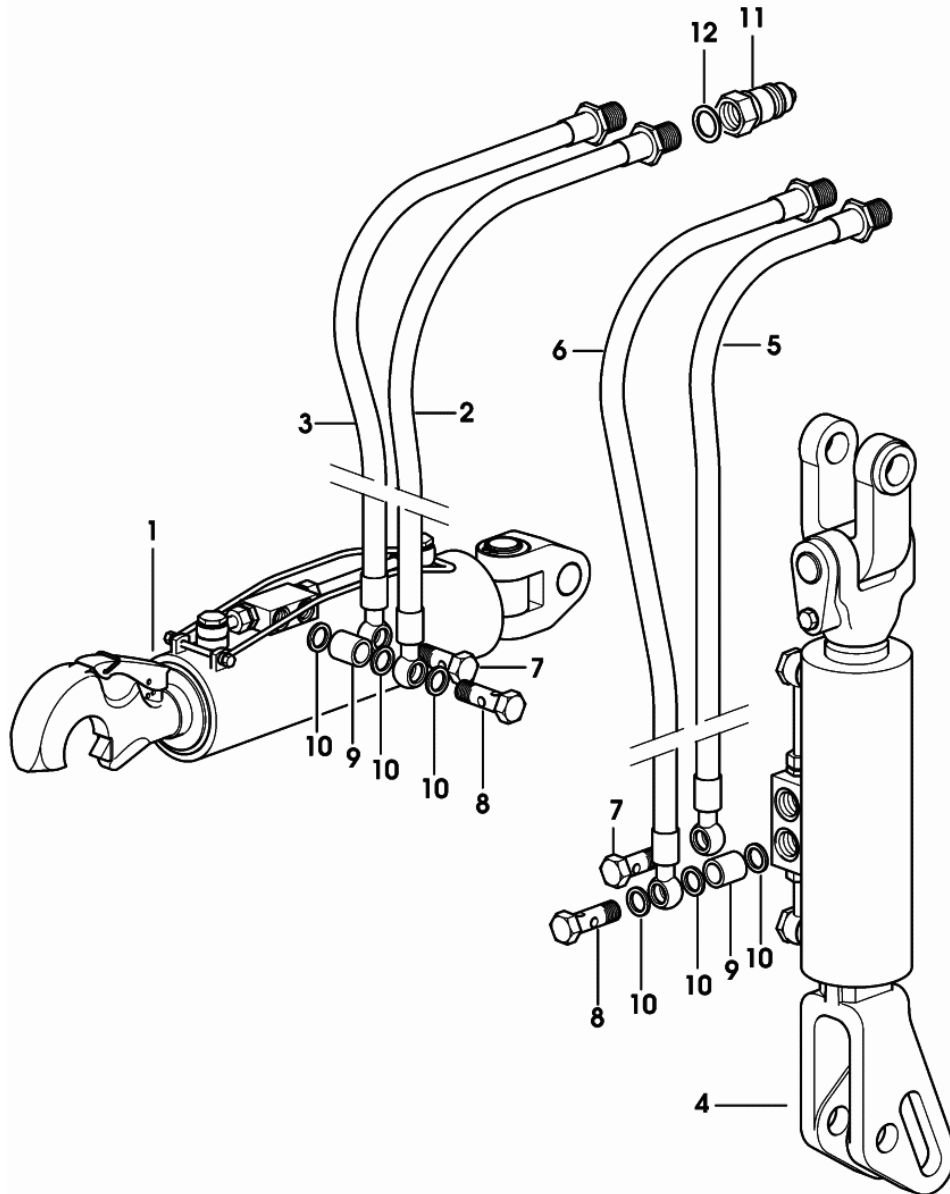


Fig.	Code	QTY	Name
1	0.007.7334.4/10	1	3 point hitch COMPONENT PARTS SEE COMPONENTS LIST ☞ 0.007.7334.4/10 ☞ 0E.00.71
2	0.010.9930.3	1	tube
3	0.011.1068.3	1	tube
4	0.010.9776.4/20	1	roller COMPONENT PARTS SEE COMPONENTS LIST ☞ 0.010.9776.4/20 ☞ 0E.00.72
5	0.011.1070.3	1	tube
6	0.011.1069.3	1	tube
7	2.3335.007.2	2	pipe union m 16 p.1.5
8	2.3339.701.2	2	pipe union
9	2.1549.417.2	2	spacer 16,3x24x25
10	2.1560.012.0	12	gasket 16.2 x 22 x 1.5
11	0.98309.51.3	4	coupling
12	2.1560.054.0	4	gasket 21 x 26

**THREE-POINT HITCH - AUTOMATIC LATERAL STABILIZERS**

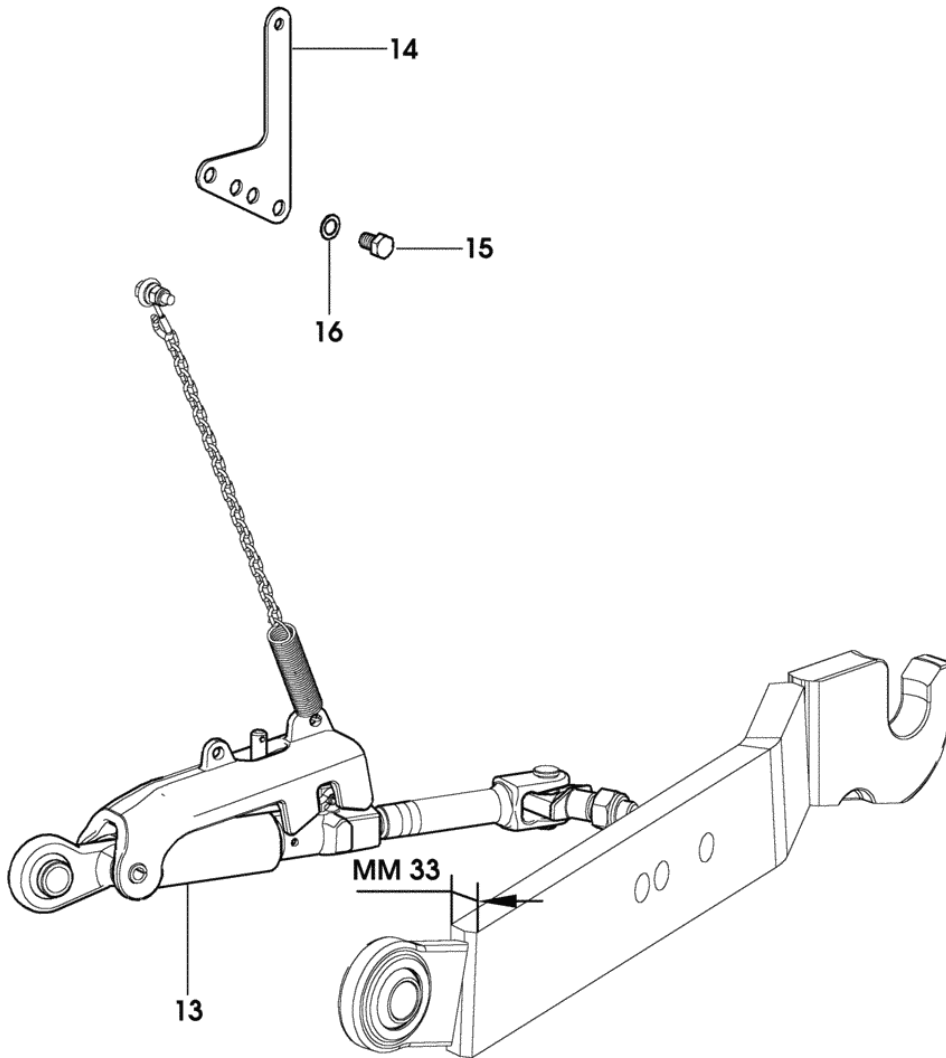
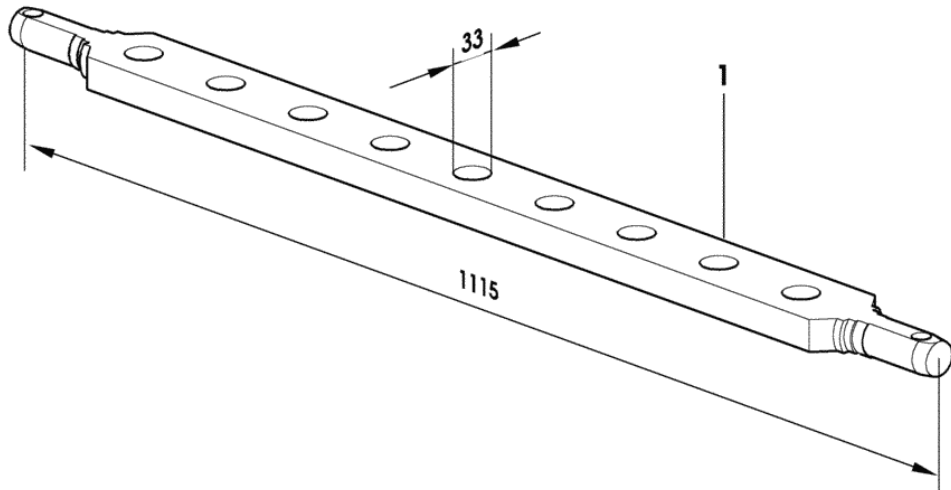


Fig.	Code	QTY	Name
13	0.010.9779.4/20	2	stabiliser COMPONENT PARTS SEE COMPONENTS LIST ☞ 0.010.9779.4/20 ☞ 0E.00.73
14	0.011.5292.0	2	bracket
15	2.0112.507.2	4	screw m 14 p.2x20
16	2.1470.008.2	4	lock washer 14

9\_12158\_16\_0\_0

**TOWING BAR**

Fig.	Code	QTY	Name
1	0.96718.10.0/10	1	draw bar 3 cat.

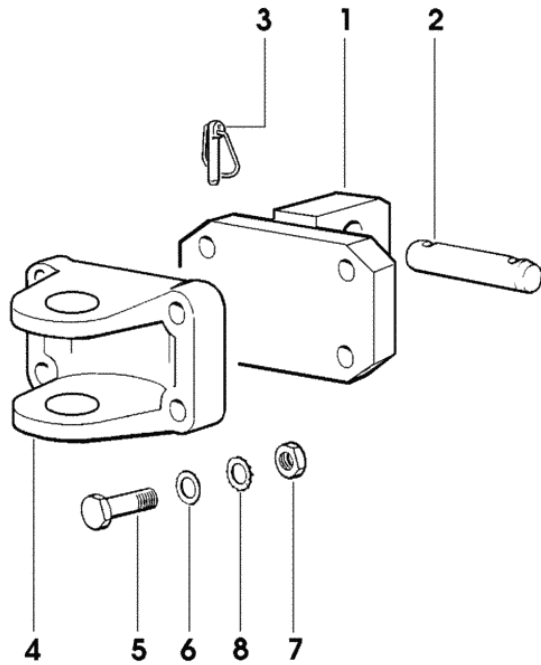


9\_49258\_10\_0\_0



Section: ACCESSORIES  
**FRONT TOWING HITCH**

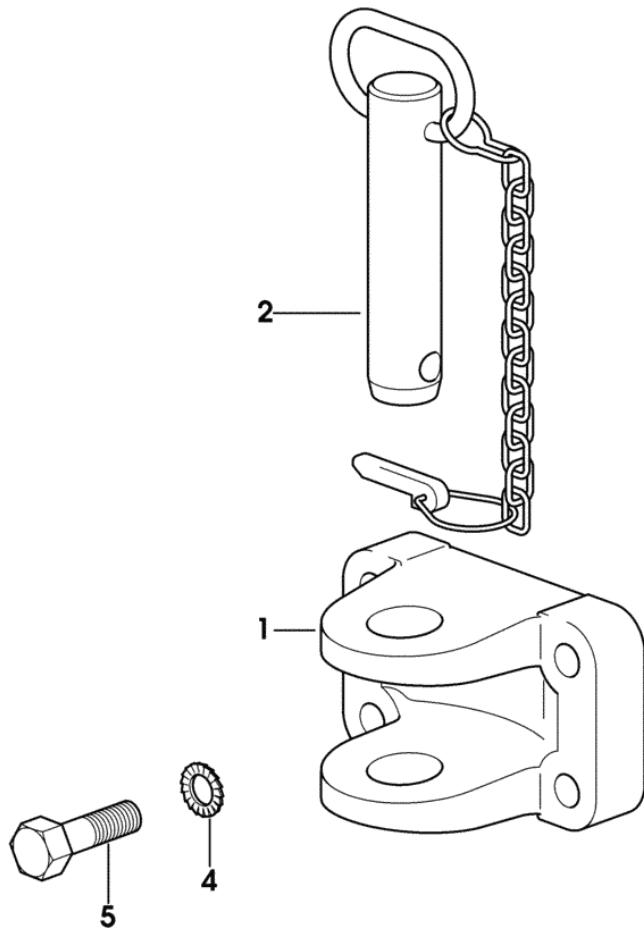
Fig.	Code	QTY	Name
1	0.009.3108.2	1	support
2	2.1669.024.2	1	pin 25.4 x 133
3	0.010.9322.4	2	pin Ø 11
4	0.96309.20.0/20	1	tow hook
5	2.0112.523.2	4	screw m 14 p.2x70
6	2.1310.009.2	4	flat washer 14
7	2.1011.108.2	4	nut m 14 p.2
8	2.1470.008.2	4	lock washer 14



9\_52652\_30\_0\_0

Section: ACCESSORIES  
FRONT TOWING HITCH

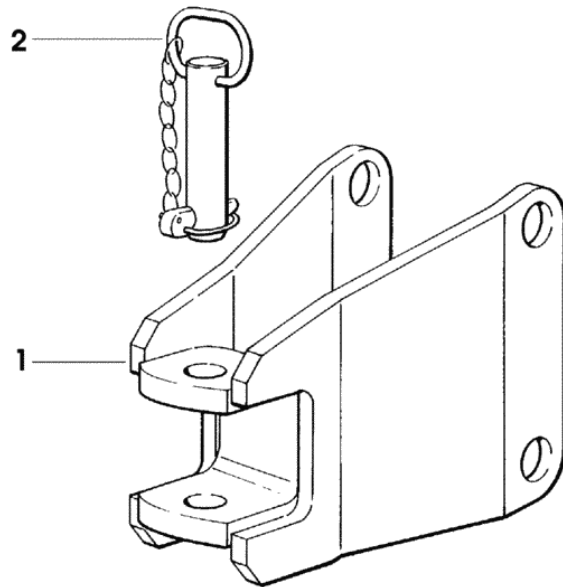
Fig.	Code	QTY	Name
1	0.96309.20.0/20	1	tow hook
2	0.96309.51.3	1	pin Ø 32
4	2.1470.008.2	4	lock washer 14
5	2.0112.519.2	4	screw m 14 p.2x50



9\_40552\_31\_0\_0

Section: ACCESSORIES  
REAR TOWING HITCH

Fig.	Code	QTY	Name
1	0.96133.20.2/10	1	tow hook
2	0.96112.30.3/10	1	pin

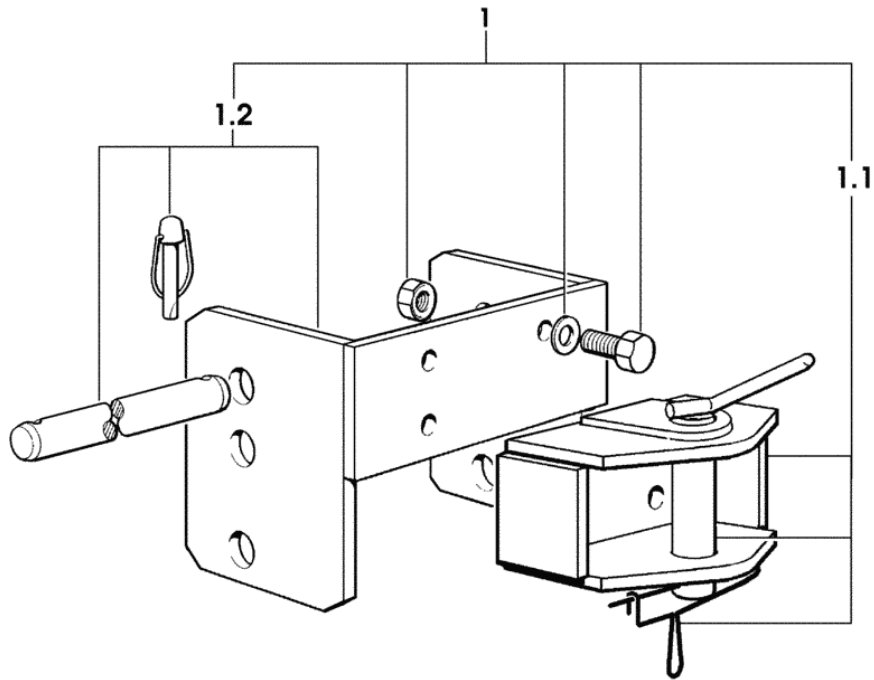


9\_49231\_30\_0\_0

## Section: ACCESSORIES

**DRAWBAR COUPLING CAT: "D3"**

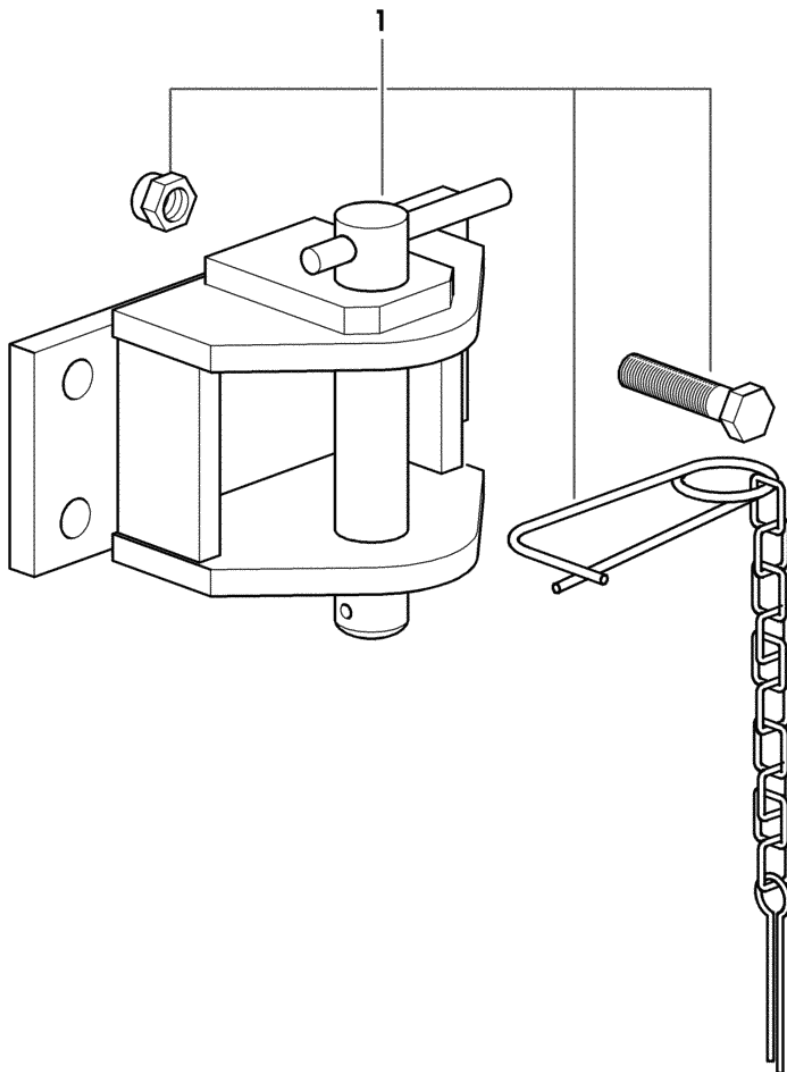
Fig.	Code	QTY	Name
1	0.007.7959.4	1	tow hook
1.1	0.009.1964.3/20	1	clevis D3 COMPONENT PARTS SEE COMPONENTS LIST ☞ 0.009.1964.3/20 ☞ 0E.00.74
1.2	0.009.2883.2/10	1	chassis frame



9\_49231\_47\_0\_0

**REAR TOWING HITCH CAT: "D3" GRASSI**

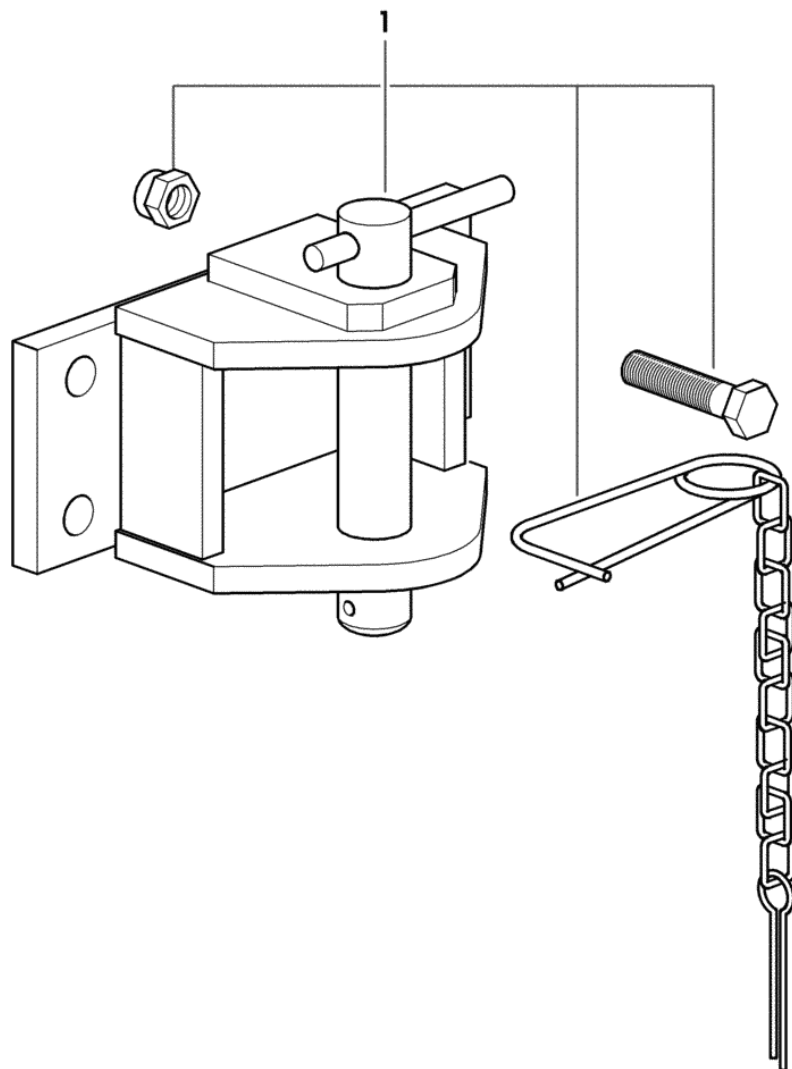
Fig.	Code	QTY	Name
1	0.011.1999.4/10	1	clevis GRASSI CAT. " D3 " COMPONENT PARTS SEE COMPONENTS LIST ☞ 0.011.1999.4/10 ☞ 0E.00.75



9\_12131\_73\_0\_0

**REAR TOWING HITCH CAT: "D2" GRASSI**

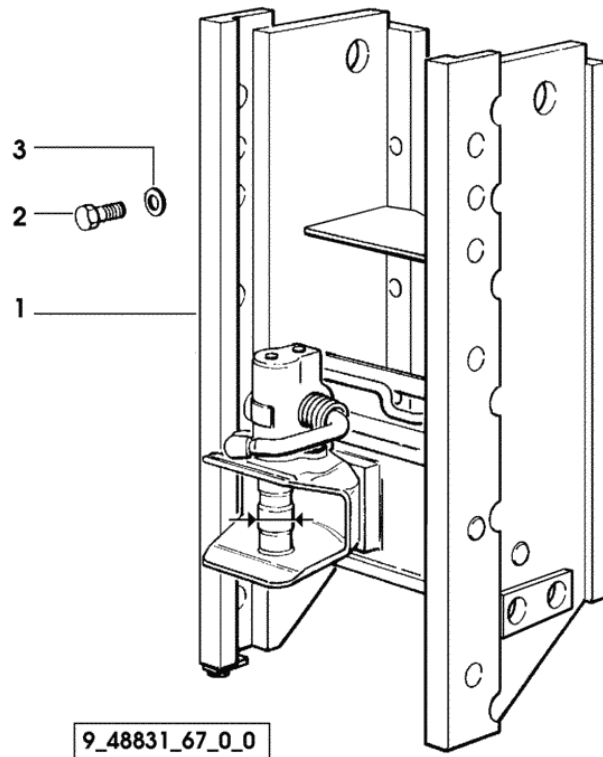
Fig.	Code	QTY	Name
1	0.011.2006.4/20	1	clevis GRASSI CAT. " D2 " COMPONENT PARTS SEE COMPONENTS LIST ☞ 0.011.2006.4/20 ☞ 0E.00.76



9\_12131\_72\_0\_0

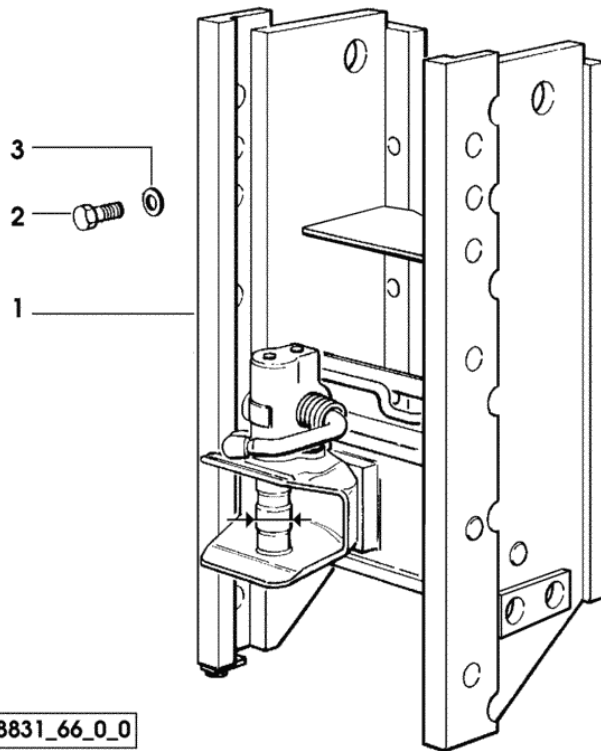
**DRAWBAR COUPLING - EXPORT CH (CRAMER)**

Fig.	Code	QTY	Name
1	0.011.3088.4	1	clevis
2	2.0314.616.2	14	screw m 16 p.2x50
3	2.1474.013.2	14	washer 16



**DRAWBAR COUPLING - MM 38 (CRAMER)**

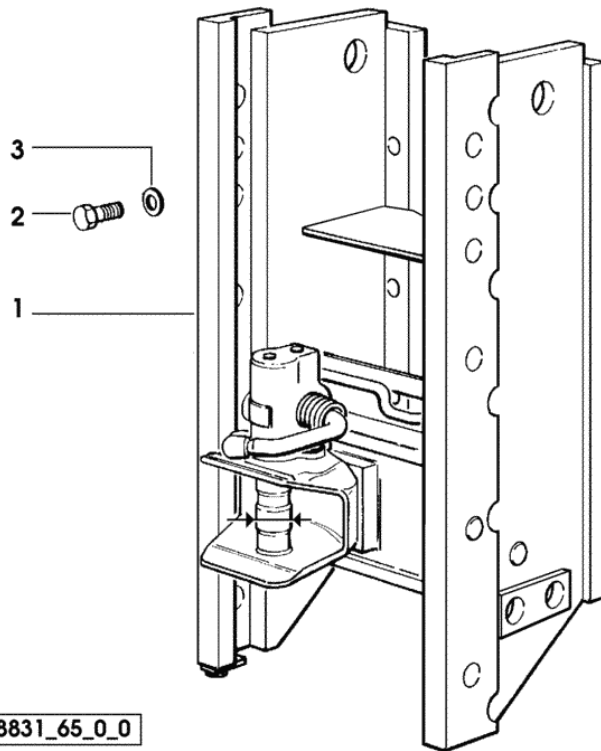
Fig.	Code	QTY	Name
1	0.009.3299.4/30	1	clevis mm 38 ☞ 0.009.3299.4/30
2	2.0314.616.2	14	screw m 16 p.2x50
3	2.1474.013.2	14	washer 16





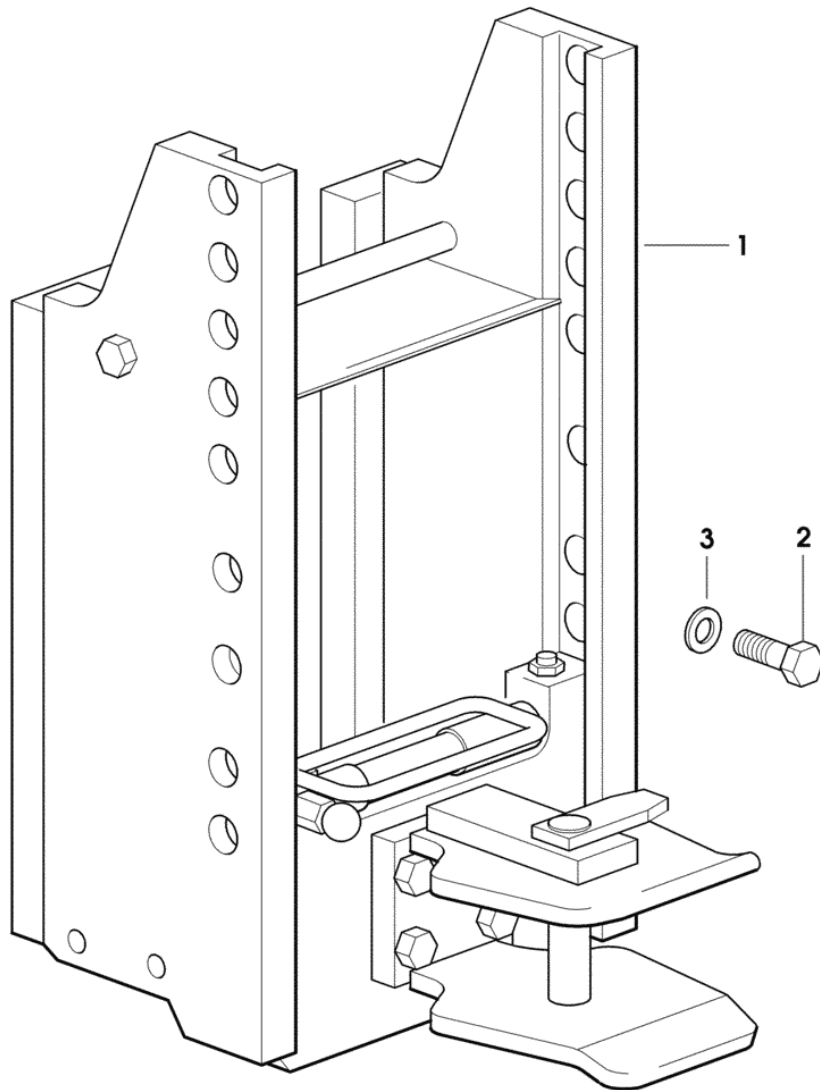
**DRAWBAR COUPLING - MM 32 (CRAMER)**

Fig.	Code	QTY	Name
1	0.009.3298.4/30	1	clevis mm 32 ☞ 0.009.3298.4/30
2	2.0314.616.2	14	screw m 16 p.2x50
3	2.1474.013.2	14	washer 16



Section: ACCESSORIES  
**REAR TOWING HITCH (GRASSI)**

Fig.	Code	QTY	Name
1	0.011.2235.4/20	1	tow hook COMPONENT PARTS SEE COMPONENTS LIST ☞ 0.011.2235.4/20 ☞ 0E.00.77
2	2.0314.618.2	16	screw m 16 x 60
3	2.1474.013.2	16	washer 16



9\_12131\_70\_0\_0

Section: ACCESSORIES  
**REAR OSCILLATING HITCH**

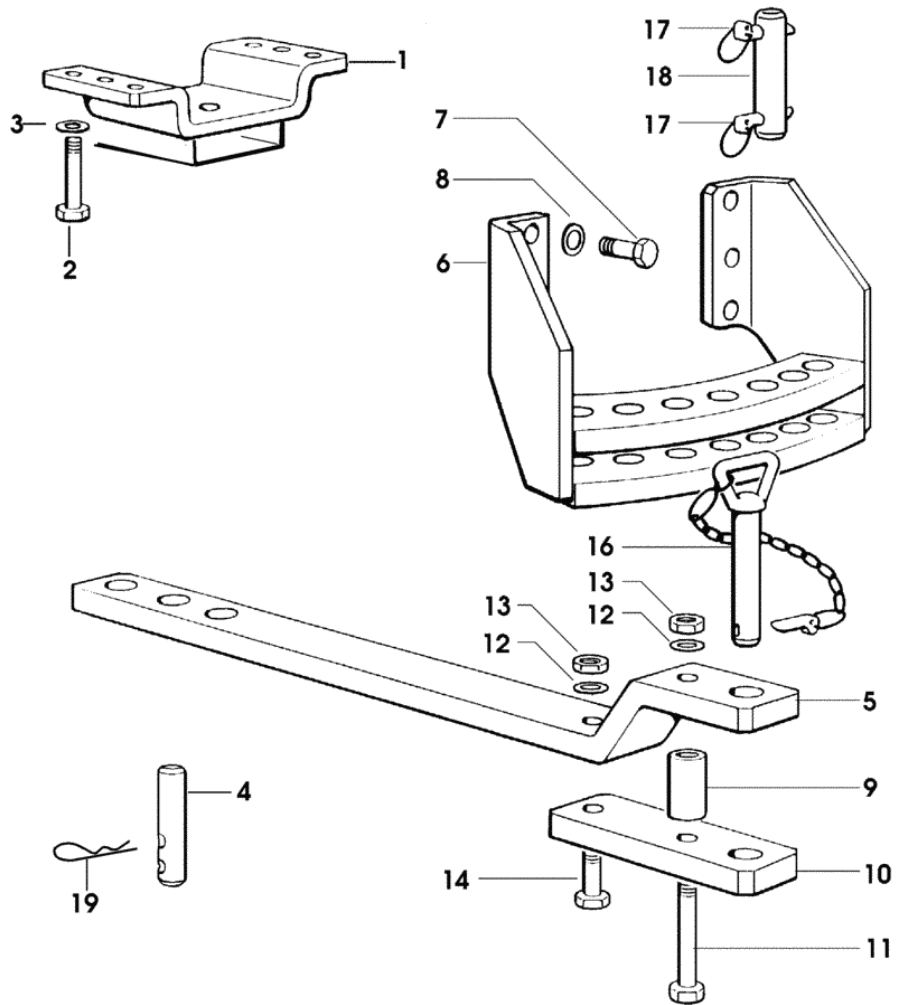
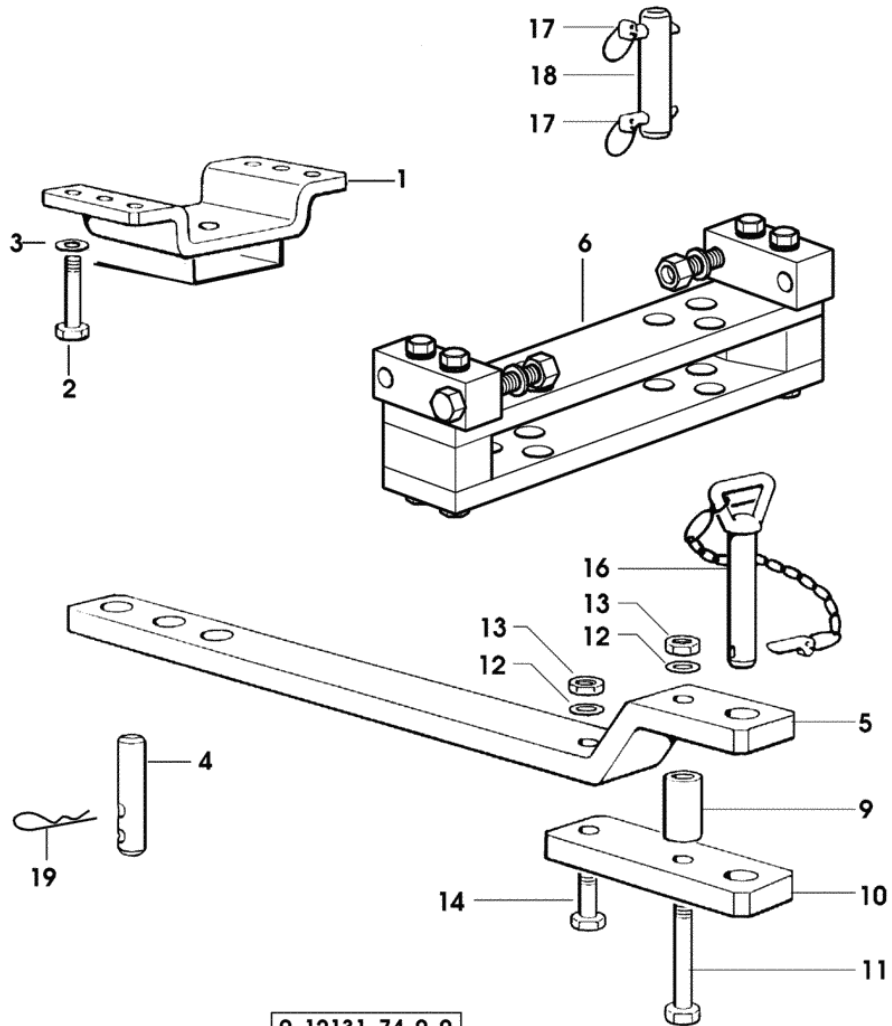


Fig.	Code	QTY	Name
1	0.008.0769.2/10	1	support
2	2.0112.615.2	6	screw m 16 p.2 x 40
3	2.1499.019.6	6	washer 16.3 x 31.5
4	2.1679.090.2	1	pin
5	0.97308.20.0	1	draw bar
6	0.97318.10.2	1	sector
7	2.0112.620.2	6	screw m 16 p.2x55
8	2.1499.019.6	6	washer 16.3 x 31.5
9	2.1579.233.2	1	spacer 18x35x75
10	0.97308.52.0	1	plate
11	2.0112.641.2	1	screw m 16 p.2x160
12	2.1499.019.6	2	washer 16.3 x 31.5
13	2.1011.109.2	2	nut m 16 p.2
14	2.0112.626.2	1	screw m 16 p.2x85
16	0.97306.30.3	1	pin
17	0.010.9322.4	4	pin Ø 11
18	2.1669.031.2	2	pin
19	2.1699.072.2	1	pin

9\_49231\_35\_0\_0

Section: ACCESSORIES  
**REAR OSCILLATING HITCH**

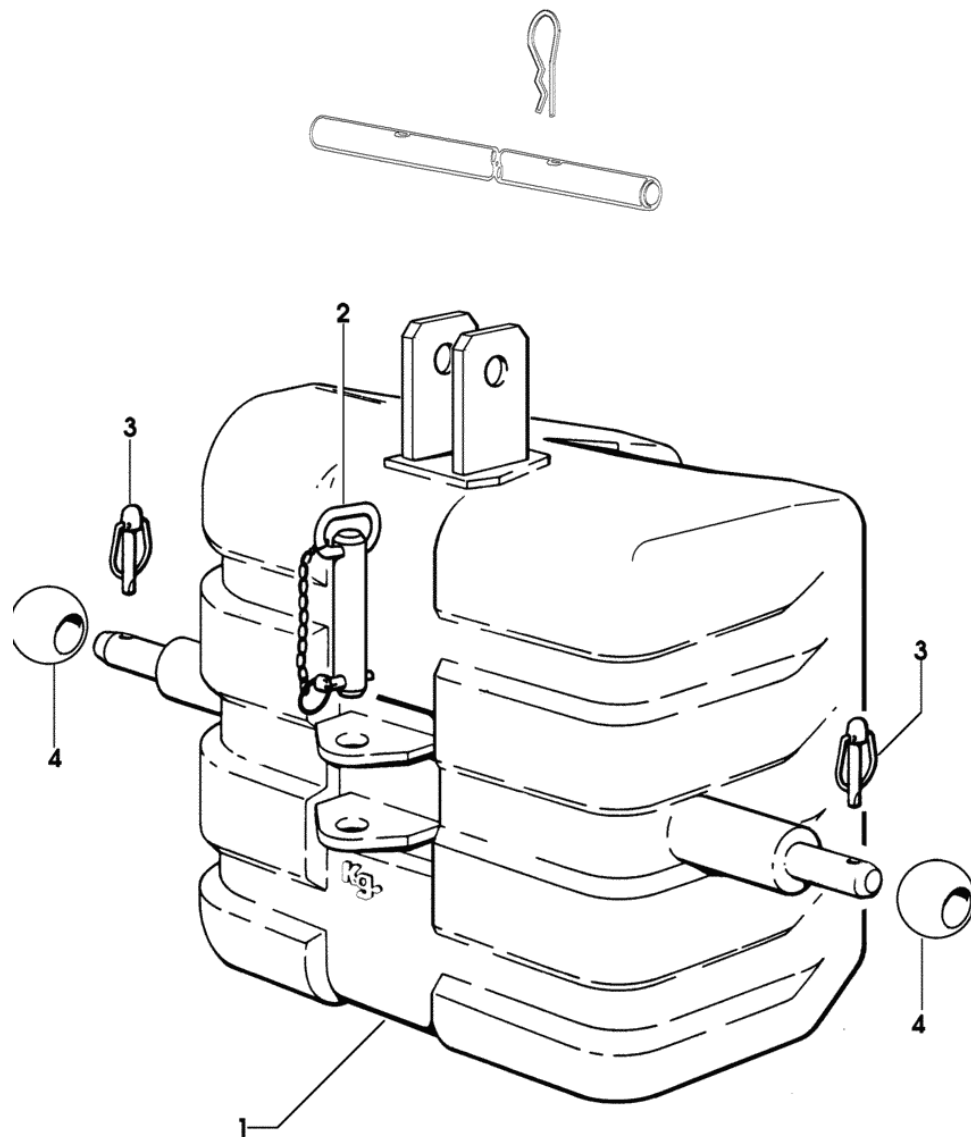
Fig.	Code	QTY	Name
1	0.008.0769.2/10	1	support
2	2.0112.615.2	6	screw m 16 p.2 x 40
3	2.1499.019.6	6	washer 16.3 x 31.5
4	2.1679.090.2	1	pin
5	0.97308.20.0	1	draw bar
6	0.011.2007.3/10	1	support
			COMPONENT PARTS SEE COMPONENTS LIST
			☞ 0.011.2007.3/10
			☞ 0E.00.78
9	2.1579.233.2	1	spacer 18x35x75
10	0.97308.52.0	1	plate
11	2.0112.641.2	1	screw m 16 p.2x160
12	2.1499.019.6	2	washer 16.3 x 31.5
13	2.1011.109.2	2	nut m 16 p.2
14	2.0112.626.2	1	screw m 16 p.2x85
16	0.97306.30.3	1	pin
17	0.010.9322.4	4	pin Ø 11
18	2.1669.031.2	2	pin
19	2.1699.072.2	1	pin



9\_12131\_74\_0\_0

Section: ACCESSORIES  
**FRONT BALLAST 600 Kg**

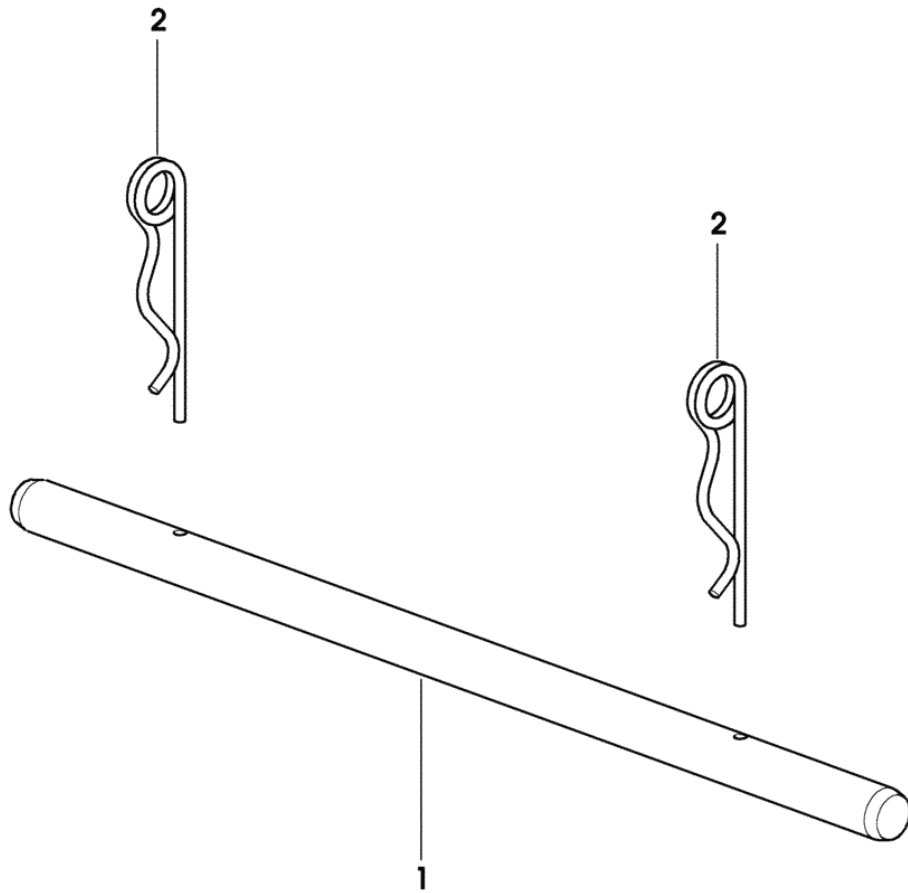
Fig.	Code	QTY	Name
1	0.010.9655.3/20	1	ballast Kg 600
2	0.96309.51.3	1	pin Ø 32
3	0.010.9322.4	2	pin Ø 11
4	0.760.5952.0	2	cap Ø 56



9\_12152\_60\_0\_0

Section: ACCESSORIES  
**BALLAST LOCK BAR**

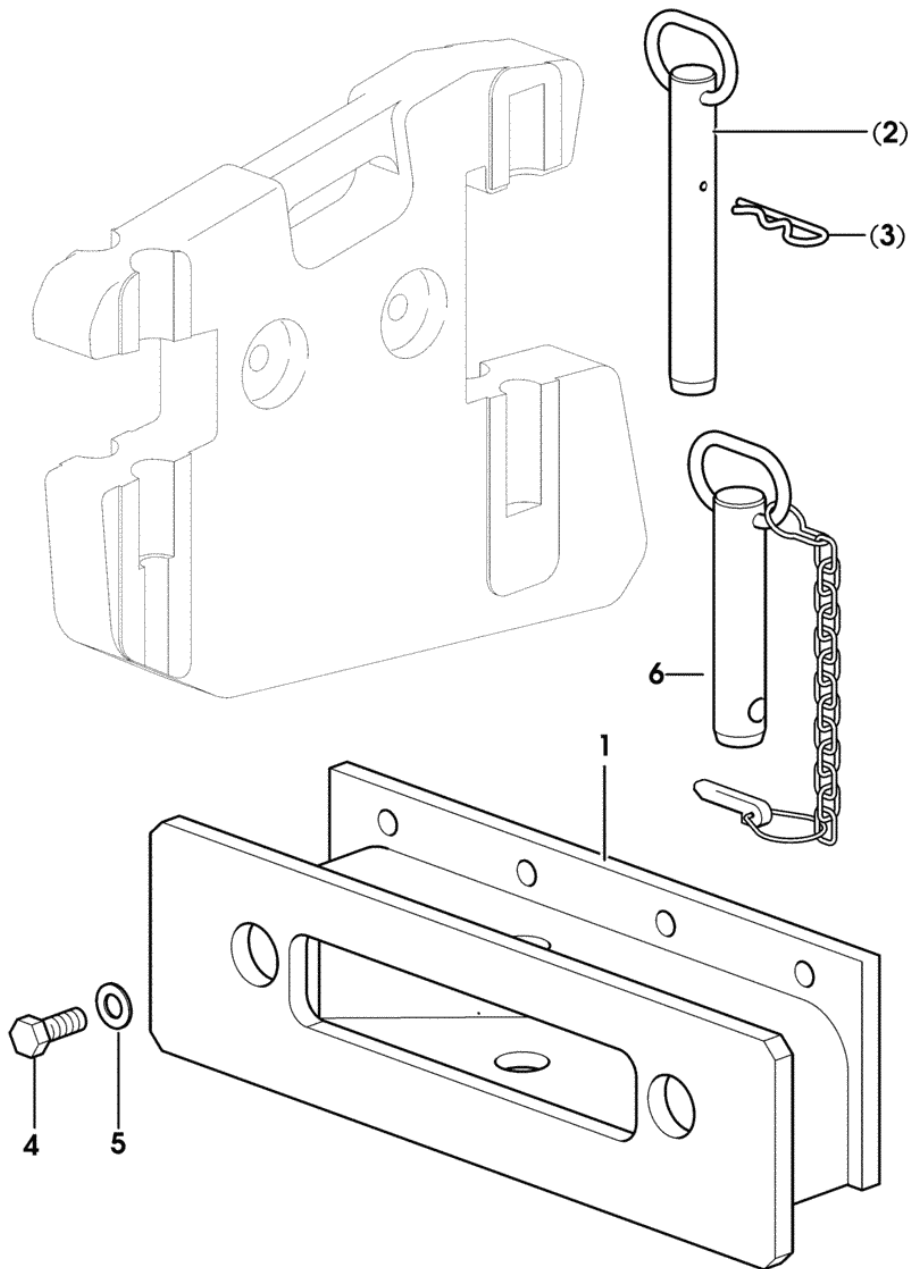
Fig.	Code	QTY	Name
1	0.009.0869.0	1	rod mm 30x680
2	2.1699.072.2	2	pin



9\_52652\_61\_0\_0

Section: ACCESSORIES  
**FRONT WEIGHT CARRIER**

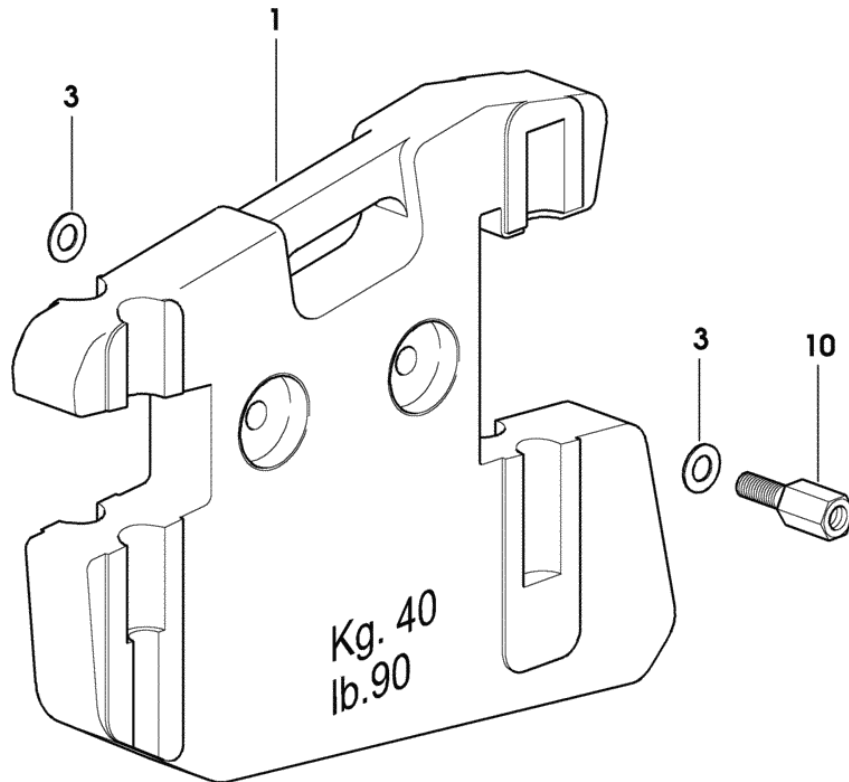
Fig.	Code	QTY	Name
1	0.011.7377.2/10	1	support
4	2.0112.515.2	6	screw m 14 p.2 x 40
5	2.1310.009.2	6	flat washer 14
6	0.96309.51.3	1	pin Ø 32



9\_52652\_45\_0\_0

Section: ACCESSORIES  
**FRONT BALLAST n. 2**

Fig.	Code	QTY	Name
1	0.96929.40.0/20	2	ballast kg 40 / lb 90
3	2.1310.009.2	8	flat washer 14
10	0.96916.50.0	4	small column m 14 p.2



9\_49052\_50\_0\_0



Section: ACCESSORIES  
**FRONT BALLAST n. 4**

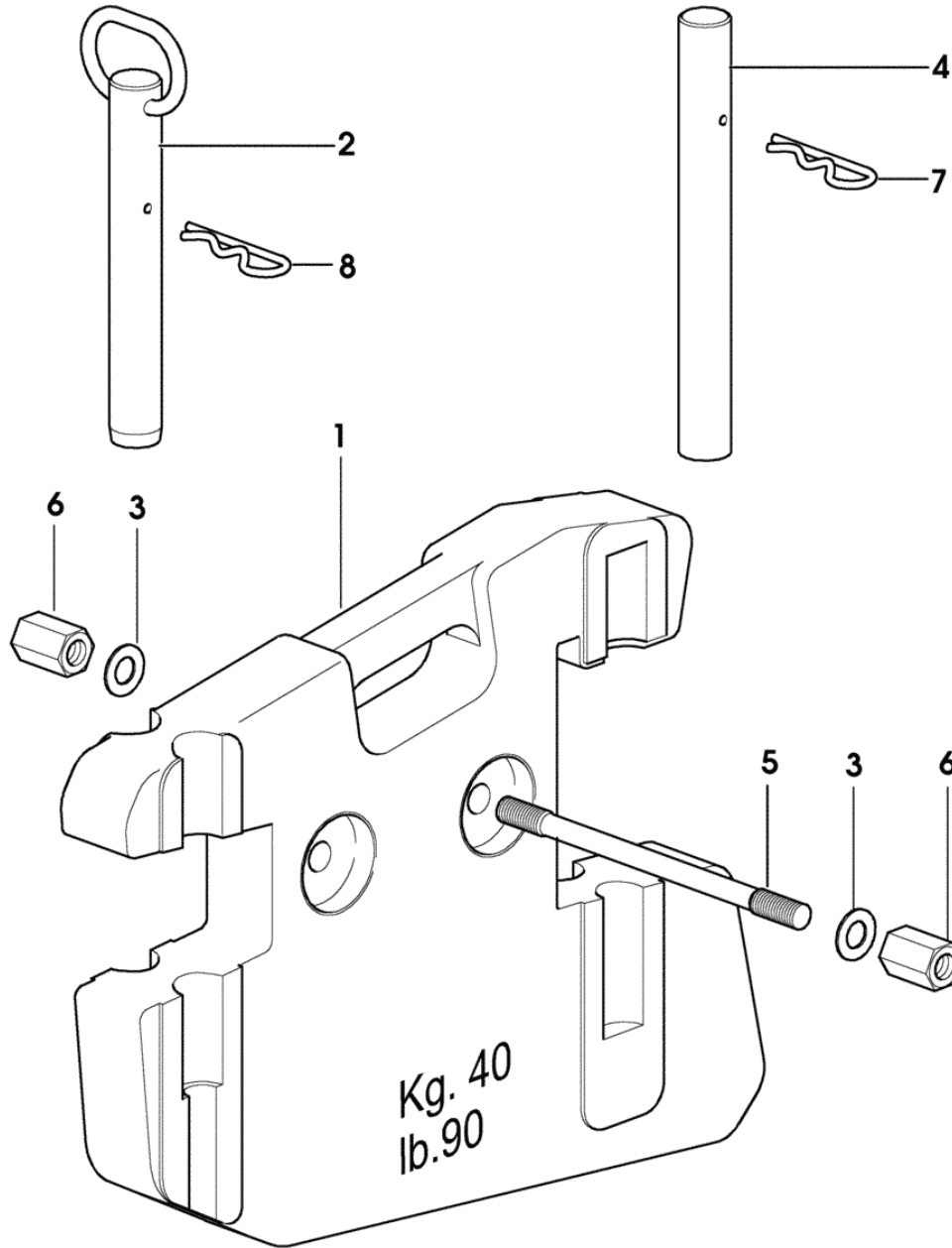
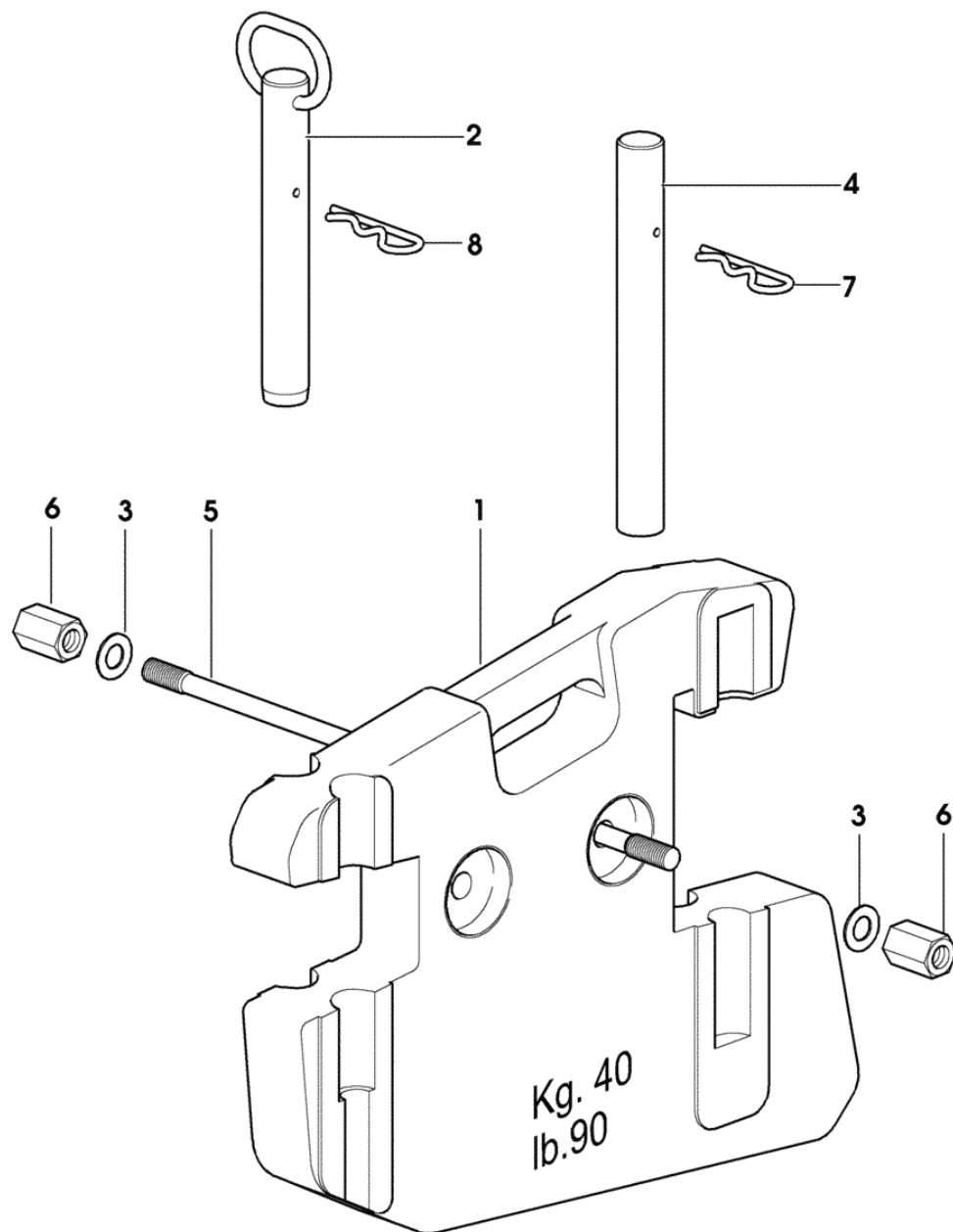


Fig.	Code	QTY	Name
1	0.96929.40.0/20	4	ballast kg 40 / lb 90
2	0.96928.51.2	1	pin
3	2.1310.009.2	4	flat washer 14
4	0.96930.50.0	1	pin mm 28x250
5	0.96930.51.0/10	2	rod m 14x220
6	2.1099.065.1	4	special nut m 14
7	2.1699.084.2	1	pin Ø 27
8	2.1699.084.2	1	pin Ø 27

9\_49052\_51\_0\_0

Section: ACCESSORIES  
**FRONT BALLAST n. 8**

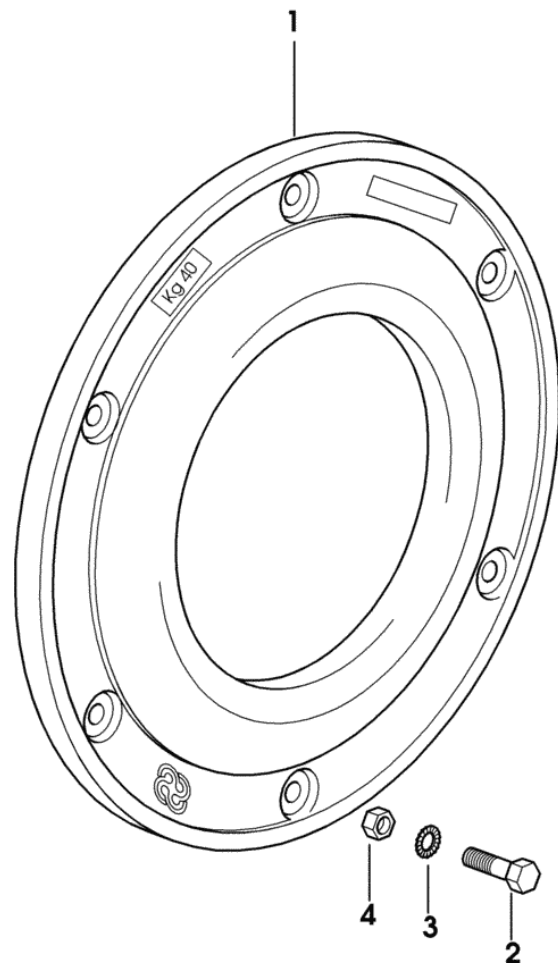
Fig.	Code	QTY	Name
1	0.96929.40.0/20	8	ballast kg 40 / lb 90
2	0.96928.51.2	1	pin
3	2.1310.009.2	4	flat washer 14
4	0.96930.50.0	1	pin mm 28x250
5	0.008.8749.0/10	2	rod
6	2.1099.065.1	4	special nut m 14
7	2.1699.084.2	1	pin Ø 27
8	2.1699.084.2	1	pin Ø 27



9\_40552\_52\_0\_0

**WHEEL BALLAST**

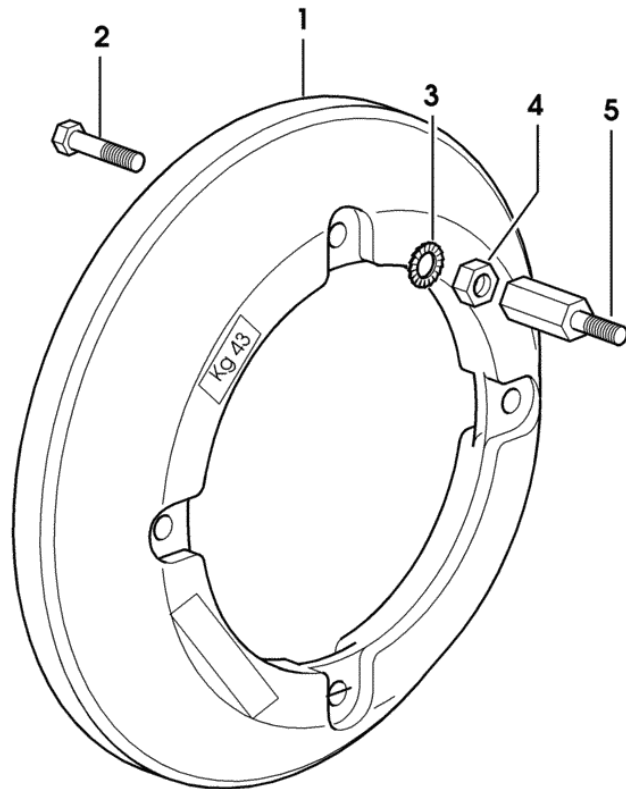
Fig.	Code	QTY	Name
1	0.135.5574.0/10	2	ballast 40 Kg
2	2.0112.620.2	12	screw m 16 p.2x55
3	2.1470.009.2	12	lock washer 16
4	2.1011.409.2	12	nut m 16 p.1.5



9\_40555\_91\_0\_0

**WHEEL BALLAST**

Fig.	Code	QTY	Name
1	0.135.5540.0/10	4	ballast 43 Kg
2	2.0122.623.2	8	screw m 16 p.1.5x70
3	2.1470.009.2	16	lock washer 16
4	2.1011.309.2	8	nut m 16 p.1.5
5	0.001.8527.0	8	small column



9\_40555\_90\_0\_0

Section: ACCESSORIES

HYDRAULIC BREAKING FOR TRAILER - ITALY -

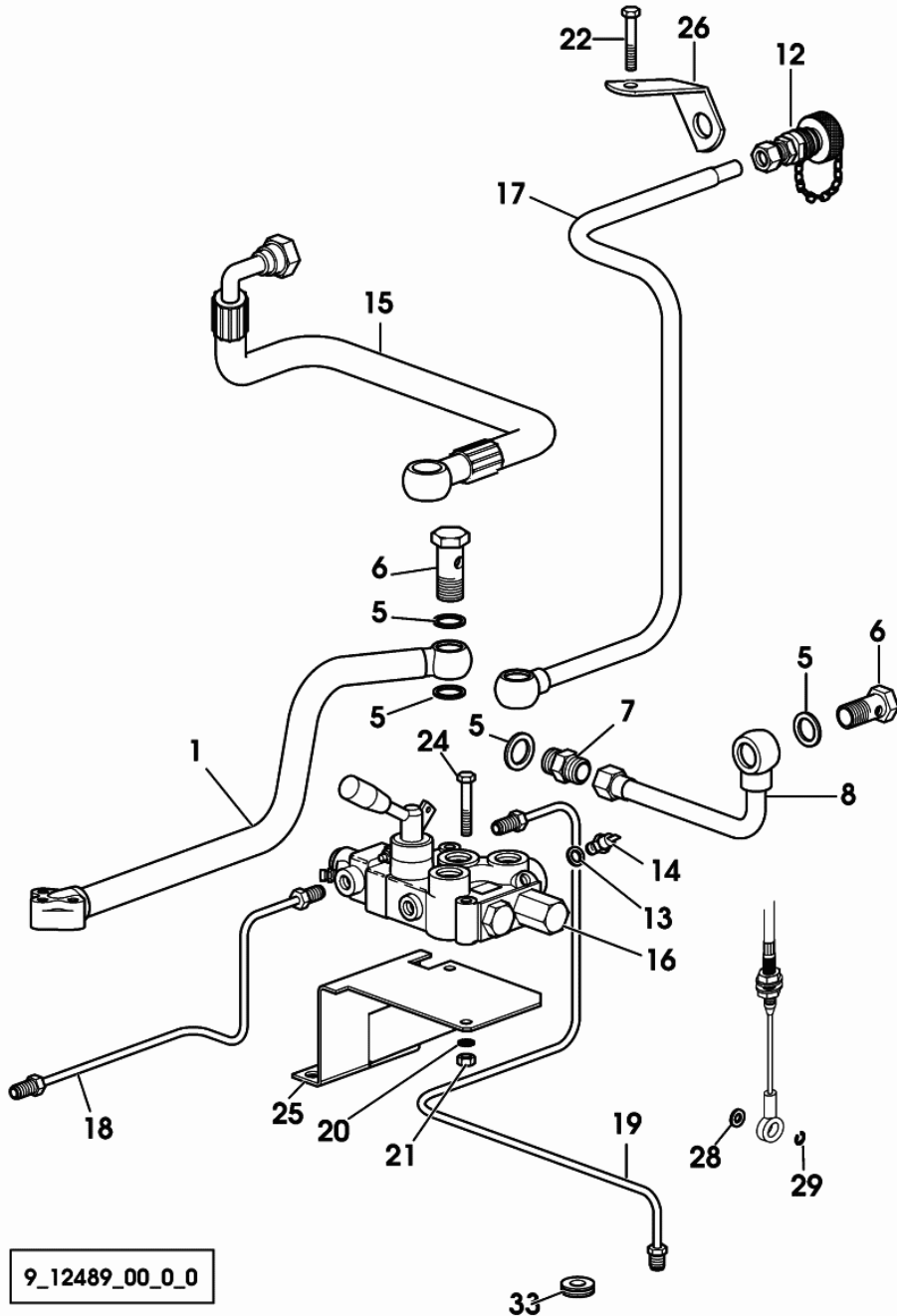


Fig.	Code	QTY	Name
1	0.011.2832.3	1	tube
5	2.1560.017.0	9	gasket 22.2 x 27
6	2.3335.009.2	4	pipe union m 22 p.1.5 x 39
7	2.3261.012.2	1	pipe fitting m 22 p.1.5-7/8"
8	0.011.3242.3	1	tube
12	0.97112.68.4	1	coupling
13	2.1560.006.0	1	gasket 10.2 x 16
14	2.7099.960.0	1	pressure switch 11 Bar
15	0.011.3653.3	1	tube
16	2.3719.400.0/40	1	valve
			COMPONENT PARTS SEE
			COMPONENTS LIST
			☞ 2.3719.400.0/40
			☞ 0E.00.79
17	0.009.2238.3/30	1	tube
18	0.009.2305.3	1	tube
19	0.009.3315.3	1	tube
20	2.1470.004.2	2	washer 8
21	2.1011.105.2	2	nut m 8 p.1.25
22	2.0112.320.2	1	screw m 10 p.1.5 x 55
24	2.0112.219.2	2	screw m 8 p.1.25x50
25	0.011.3579.2	1	bracket
26	0.009.3421.0	1	support
28	2.1310.004.2	1	flat washer 8.5
29	2.1430.007.7	1	circlip 6, d128
33	2.6560.006.0	1	wire guide 12x1.5

9\_12489\_00\_0\_0

Section: ACCESSORIES

**HYDRAULIC BREAKING FOR TRAILER - EXPORT F**

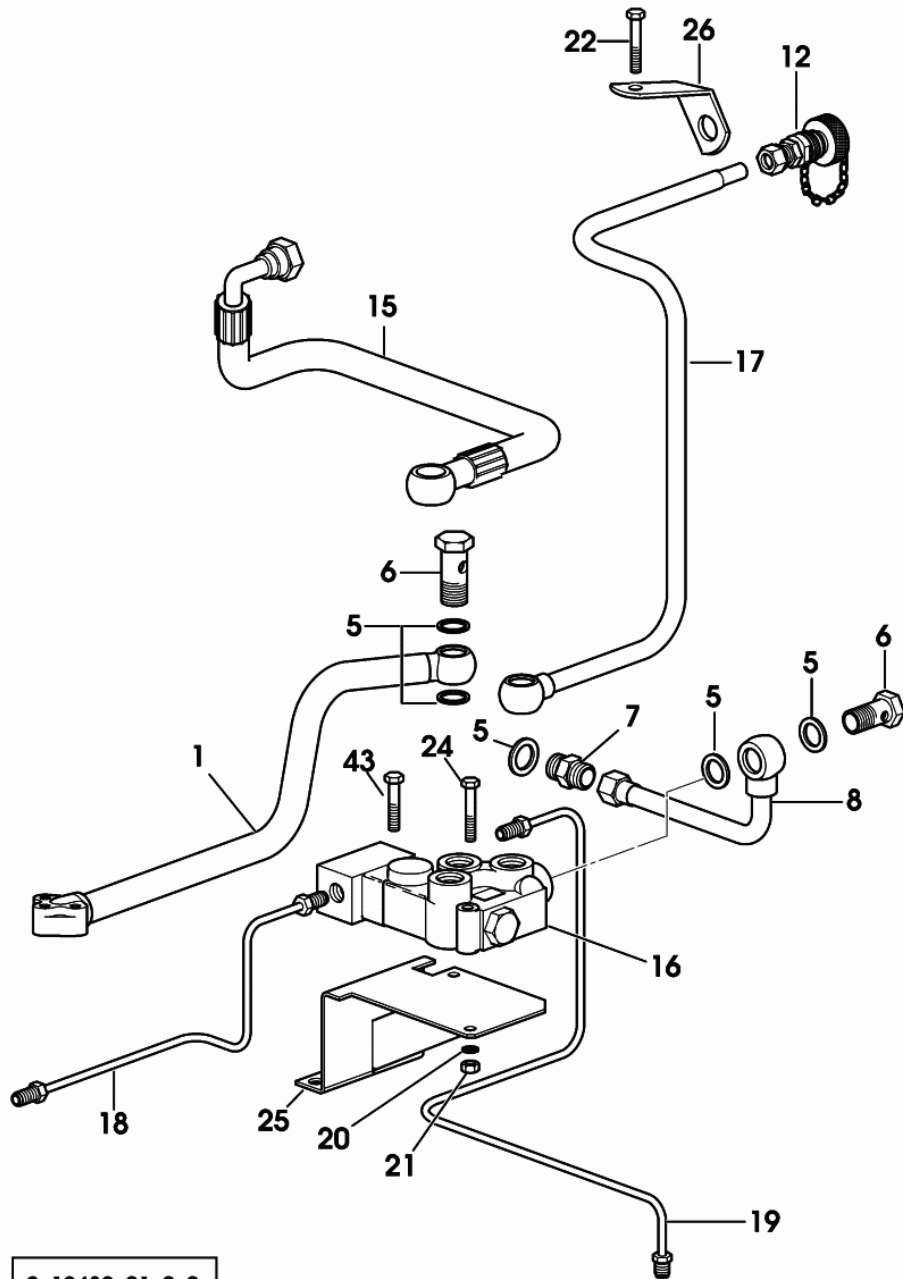


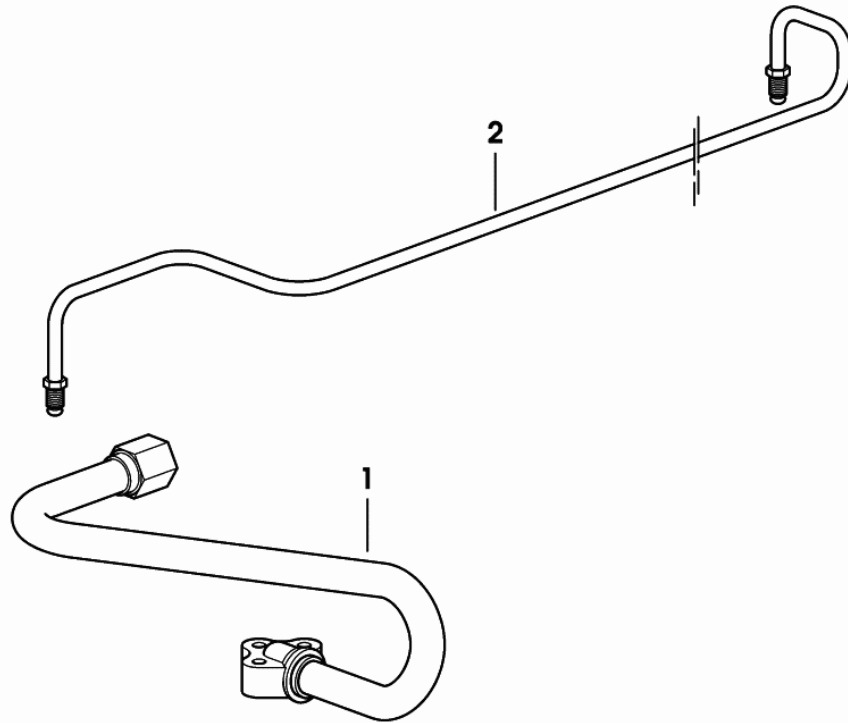
Fig.	Code	QTY	Name
1	0.011.2832.3	1	tube
5	2.1560.017.0	9	gasket 22.2 x 27
6	2.3335.009.2	4	pipe union m 22 p.1.5 x 39
7	2.3261.012.2	1	pipe fitting m 22 p.1.5-7/8"
8	0.011.3242.3	1	tube
12	0.97112.68.4	1	coupling
15	0.011.3653.3	1	tube
16	2.3719.550.0/30	1	valve
COMPONENT PARTS SEE COMPONENTS LIST			
			☞ 2.3719.550.0/30
			☞ 0E.00.80
17	0.009.2238.3/30	1	tube
18	0.009.2305.3	1	tube
19	0.009.3315.3	1	tube
20	2.1470.004.2	2	washer 8
21	2.1011.105.2	2	nut m 8 p.1.25
22	2.0112.320.2	1	screw m 10 p.1.5 x 55
24	2.0112.219.2	1	screw m 8 p.1.25x50
25	0.011.3579.2	1	bracket
26	0.009.3421.0	1	support
43	2.0112.215.2	1	screw m 8 p.1.25 x 40

9\_12489\_01\_0\_0

Section: ACCESSORIES

**EQUIPMENT WITHOUT TRAILER BRAKING SYSTEM**

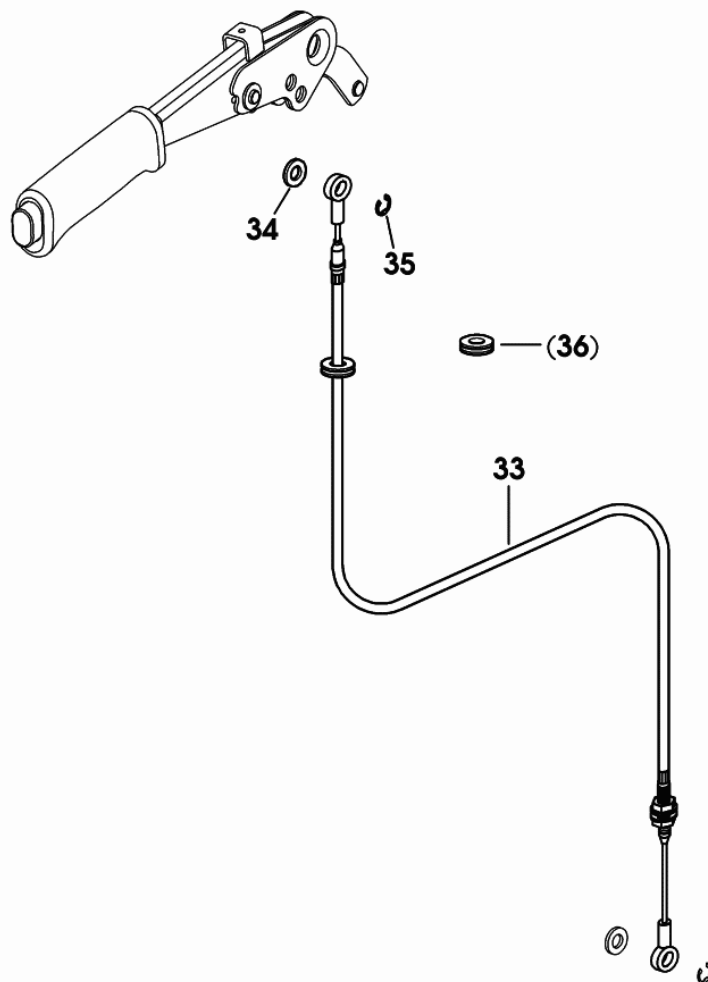
Fig.	Code	QTY	Name
1	0.011.3648.3	1	tube
2	0.009.3390.3	1	tube sx/lh/li



9\_12489\_09\_0\_0

**HYDRAULIC TRAILER BRAKING PARTS KIT ITALY**

Fig.	Code	QTY	Name
33	0.009.1911.2/10	1	rod
34	2.1310.004.2	1	flat washer 8.5
35	2.1430.007.7	1	circlip 6, d128



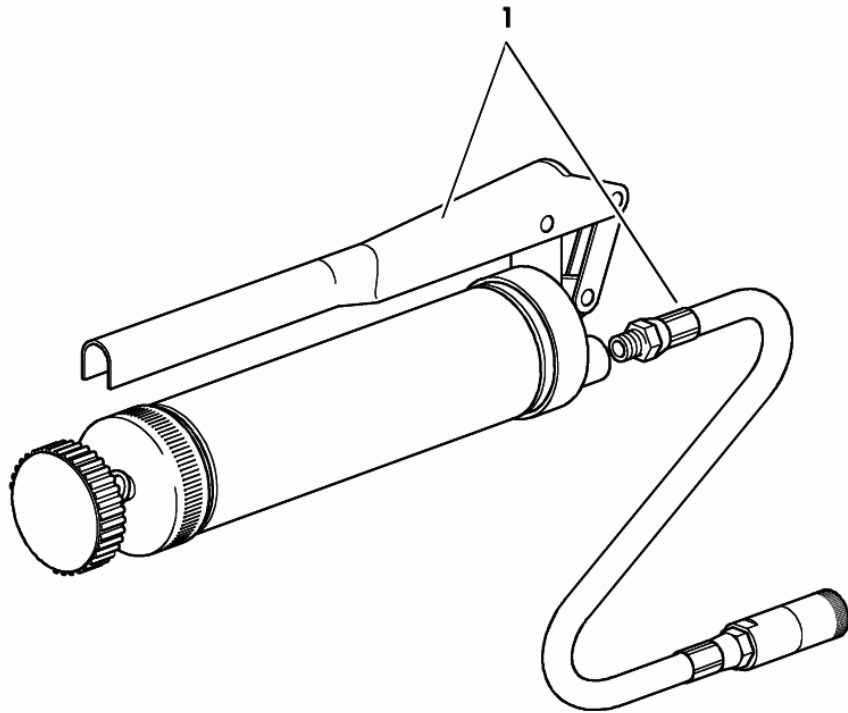
9\_52689\_10\_0\_0



## Section: ACCESSORIES

**LUBRICATOR**

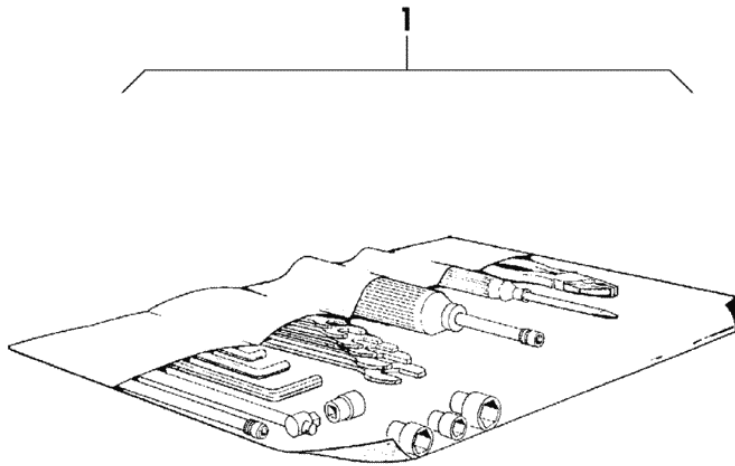
Fig.	Code	QTY	Name
1	0.011.6506.3	1	lubricator



9\_59273\_01\_0\_0

**TOOL POUCH**

Fig.	Code	QTY	Name
1	9.62073.11.0	1	small tool box



9\_62073\_11\_0\_0

# SILVER 160

## BODY WORK

### GENERAL

HOOD.....	07.00.1
HOOD.....	07.00.2
PLUG.....	07.00.5
PLATES.....	07.00.6
SOUNDPROOFING - HOOD.....	07.00.8
HOOD SUPPORT.....	07.00.9
HOOD FRONT PART.....	07.00.10
DEFLECTORS AND SUPPORTS.....	07.00.11
BATTERY SUPPORT.....	07.00.13
BELT GUARDS.....	07.00.14
BELT GUARDS - FOR MODELS WITH COMPRESSOR.....	07.00.15
METAL TOOLBOX.....	07.00.16
WATER COOLING.....	07.00.17
PEDAL SUPPORT.....	07.00.19
PEDAL SUPPORT.....	07.00.20
DASHBOARD.....	07.00.21
DASHBOARD - STEERING COVER.....	07.00.22
CONSOLE - INSTRUMENT PANEL.....	07.00.23
ELECTRIC REV-HOUR RECORDER TACHOMETER - 30 Km/h.....	07.00.24
ELECTRIC REV-HOUR RECORDER TACHOMETER - 40 Km/h.....	07.00.25
SPEED LABEL - 40 KM/H.....	07.00.26
PLATES.....	07.00.27
PLATES OCDE.....	07.00.28
PLATES.....	07.00.29
INFORMATION PLATE.....	07.00.30
PLATES.....	07.00.31
ELECTRONIC ACCELERATOR CONTROL.....	07.00.32
ELECTRONIC ACCELERATOR CONTROL.....	07.00.33
SELF-ADJUSTING FRONT FENDERS - MM 470.....	07.00.34
SELF-ADJUSTING FRONT FENDERS - MM 520.....	07.00.36
SELF-ADJUSTING FRONT FENDERS - MOUNTINGS.....	07.00.38
SUPPORTS.....	07.00.39
LADDER.....	07.00.41
LADDER EXPORT D.....	07.00.43
FENDERS.....	07.00.45
BADGE FOR SPLASH GUARDS.....	07.00.46
REAR MUDGUARDS.....	07.00.47
REAR MUDGUARDS - FOR VERSIONS WITH ENTEN.....	07.00.48
EXTENSION FOR WING L = 220.....	07.00.49
SPEED LABEL - 40 KM/H - REFLEX ITALY.....	07.00.50

WARNING TRIANGLE HOLDER.....	07.00.51
WARNING TRIANGLE HOLDER EXPORT D.....	07.00.52
HOLDING DEVICE - WHEEL CHOCK.....	07.00.53
CHOCK EXPORT D.....	07.00.54
LICENCE PLATE HOLDER.....	07.00.55
LICENCE PLATE HOLDER EXPORT F.....	07.00.56
SEAT FOR 2ND OPERATOR.....	07.00.57
SEAT FOR 2ND OPERATOR.....	07.00.58
FUEL SYSTEM - FIXED TANK.....	07.00.59
FUEL SYSTEM - MOVABLE TANK.....	07.00.60
AIR FILTER.....	07.00.61
DRIVER'S SEAT PNEUMATIC SPRINGING GRAMMER MSG95A/20.....	07.00.63

Section: BODY WORK  
HOOD

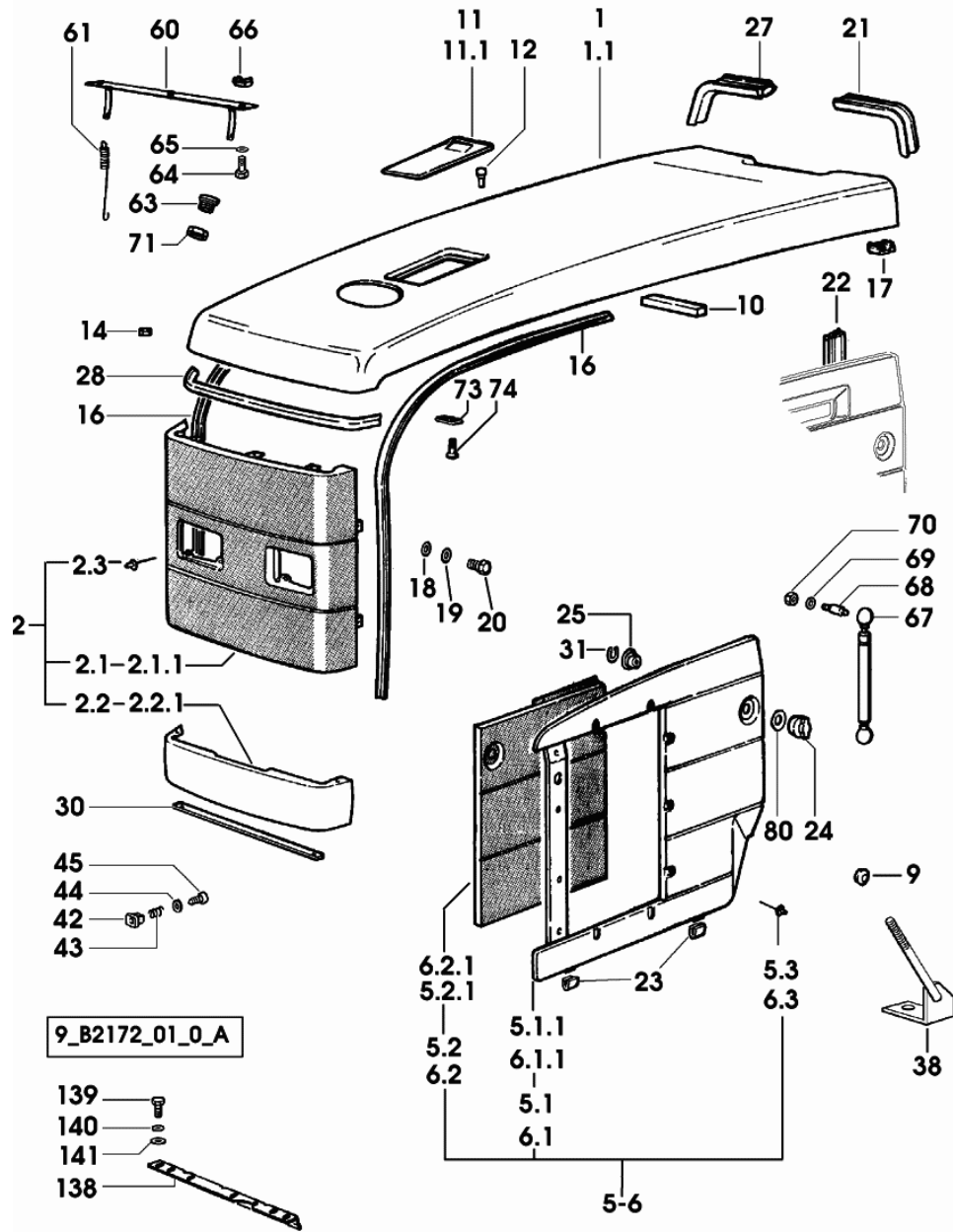


Fig.	Code	QTY	Name
1	0.000.0000.1	0	not serviceable
1.1	0.011.1105.3	1	bonnet
2	0.000.0000.1	0	not serviceable
2.1	0.000.0000.1	0	not serviceable
2.1.1	0.009.1788.2	1	grille/grid
2.2	0.000.0000.1	0	not serviceable
2.2.1	0.008.3335.3	1	grille/grid
2.3	2.1899.039.0	5	rivet 4.8x15.9x10.5
5	0.000.0000.1	0	not serviceable
5.1	0.000.0000.1	0	not serviceable
5.1.1	0.008.3338.3/40	1	right h.side panel dx/rh/re
5.2	0.000.0000.1	0	not serviceable
5.2.1	0.008.3341.2/20	1	grille dx/rh/re
5.3	2.1899.039.0	11	rivet 4.8x15.9x10.5
6	0.000.0000.1	0	not serviceable
6.1	0.000.0000.1	0	not serviceable
6.1.1	0.008.3339.3/40	1	lift hand side panel sx/lh/li
6.2	0.000.0000.1	0	not serviceable
6.2.1	0.008.3342.2/20	1	grille sx/lh/li
6.3	2.1899.039.0	11	rivet 4.8x15.9x10.5
9	0.264.7265.0/20	4	plug
10	0.008.3522.0	1	gasket
11	0.000.0000.1	0	not serviceable
11.1	0.008.3748.3	1	shutter
12	0.167.7272.0/10	2	rubber plug
14	2.1011.102.2	2	nut m 5 p.0.7
16	0.008.3354.0/20	2	gasket
17	2.6999.008.2	2	special nut m 8 p.1.25
18	2.1310.004.2	4	flat washer 8.5
19	2.1470.004.2	4	washer 8
20	2.0112.207.2	4	screw m 8 p 1.25 x 20
21	0.008.3359.0/10	1	gasket
22	0.008.3356.0/20	1	gasket
23	0.009.2907.0	4	gasket
24	0.008.3426.2/30	6	knob
25	2.1559.240.0/20	6	bushing
27	0.008.3358.0/10	1	gasket
28	0.008.3553.0/20	1	gasket
30	0.009.0305.0	1	gasket
31	2.1499.084.0	6	circlip
38	0.009.1967.2	1	rod sx/lh/li
42	2.6999.045.0	6	special nut
43	2.4019.080.1	6	spring 5x7x12
44	2.1310.001.2	12	flat washer 5.3

Section: BODY WORK  
HOOD

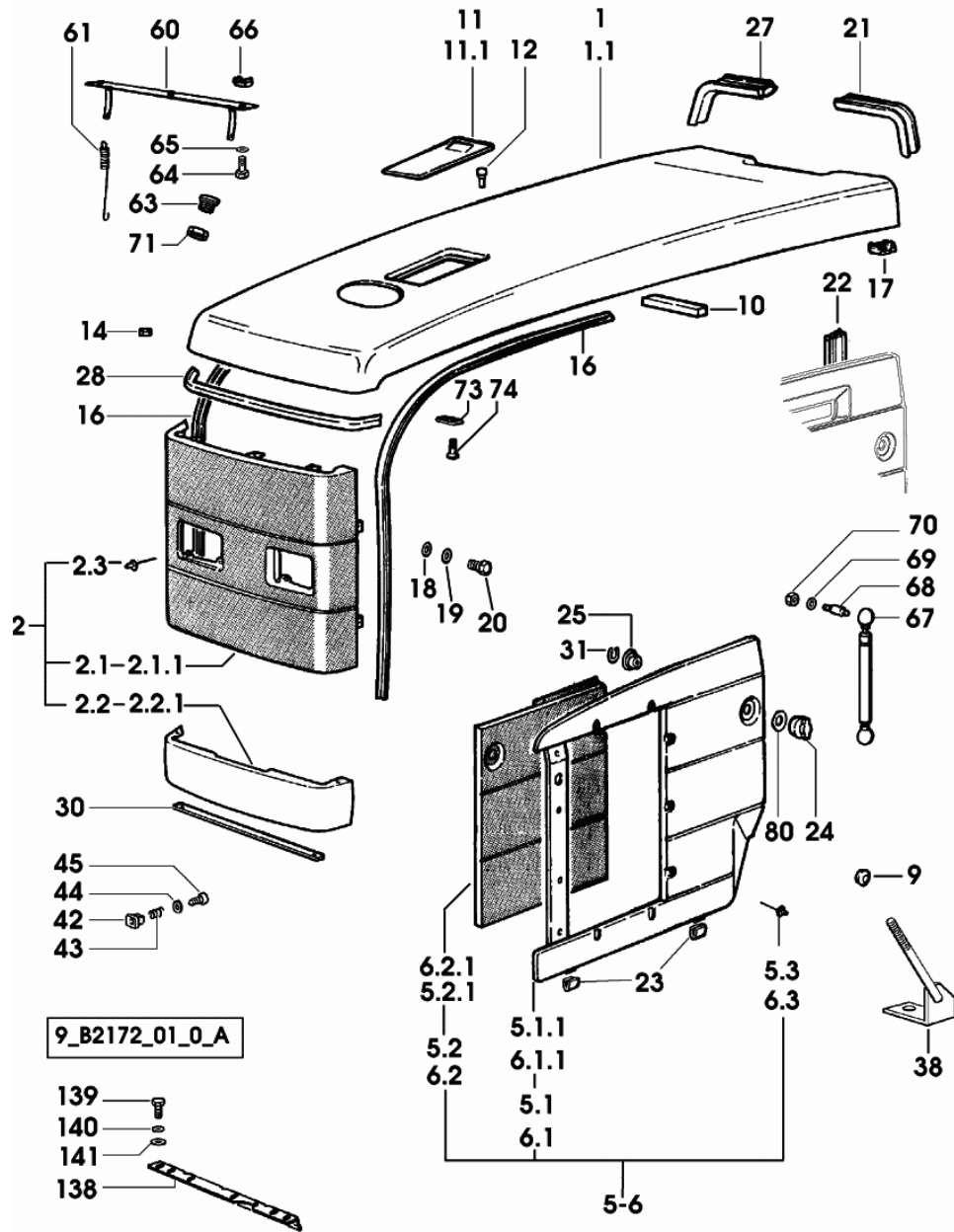


Fig.	Code	QTY	Name
45	2.0350.408.6	6	screw
60	0.009.1553.2/20	1	crosspiece
61	2.4049.189.2	2	spring
63	2.1559.291.2	2	bushing
64	2.0112.207.2	3	screw m 8 p 1.25 x 20
65	2.1470.004.2	3	washer 8
66	2.6999.002.2	3	old part
67	0.008.2089.4/30	1	shoch.absorber
68	2.1699.281.2/10	2	joint
69	2.1470.004.2	2	washer 8
70	2.1011.105.2	1	nut m 8 p.1.25
71	2.1019.111.2	2	nut m 20 p.1.5
73	0.009.1857.0	2	shoe
74	2.0342.205.3	4	screw m 6 p.1 x 20
80	2.1599.658.0	6	washer
138	0.009.0889.0/10	1	crosspiece
139	2.0112.205.2	2	screw m 8 p.1.25 x 16
140	2.1470.004.2	2	washer 8
141	2.1310.004.2	2	flat washer 8.5

9\_B2172\_01\_0\_A

Section: BODY WORK  
HOOD

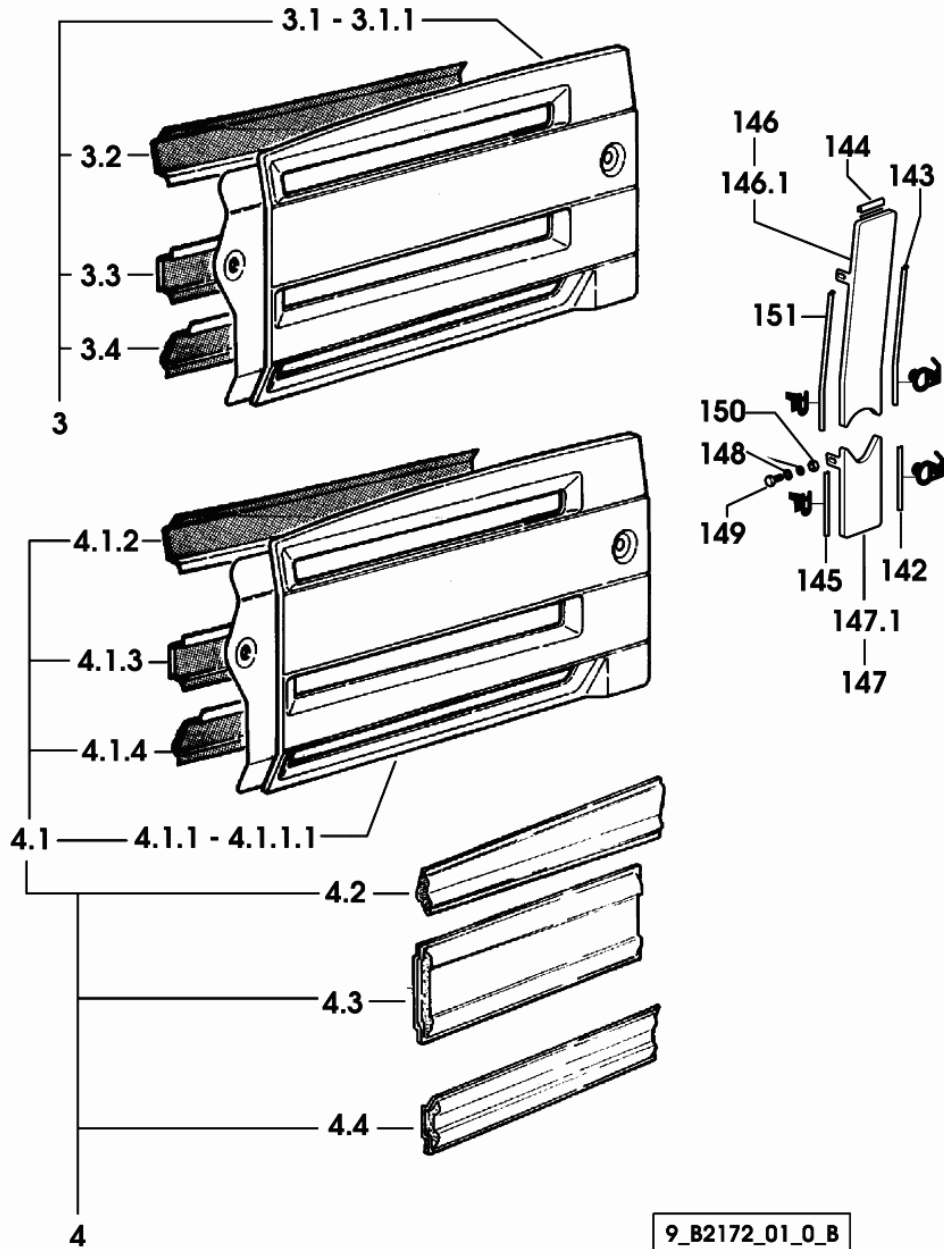
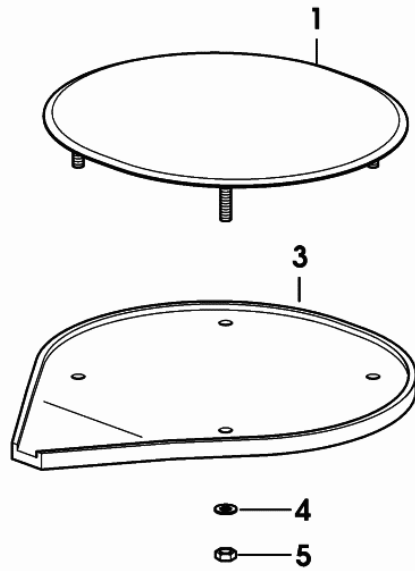


Fig.	Code	QTY	Name
3	0.000.0000.1	0	not serviceable
3.1	0.000.0000.1	0	not serviceable
3.1.1	0.008.3540.3	1	right h.side panel dx/rh/re
3.2	0.009.0181.0/10	1	grille dx/rh/re
3.3	0.009.0183.0/10	1	grille dx/rh/re
3.4	0.009.0185.0/20	1	grille dx/rh/re
4	0.000.0000.1	0	not serviceable
4.1	0.000.0000.1	0	not serviceable
4.1.1	0.000.0000.1	0	not serviceable
4.1.1.1	0.008.3348.3/10	1	lift hand side panel sx/lh/li
4.1.2	0.009.0176.0/10	1	grille sx/lh/li
4.1.3	0.009.0178.0/10	1	grille sx/lh/li
4.1.4	0.009.0180.0/20	1	grille sx/lh/li
4.2	0.009.1372.0	1	sound deadening
4.3	0.009.1397.0	1	sound deadening
4.4	0.009.1398.0	1	sound deadening
142	0.011.0132.0/20	1	gasket
143	0.011.0137.0/10	1	gasket
144	0.011.0115.0	1	gasket
145	0.011.4643.0/10	1	gasket
146	0.000.0000.1	0	not serviceable
146.1	0.011.0169.3/20	1	lift hand side panel
147	0.000.0000.1	0	not serviceable
147.1	0.011.0170.2/10	1	lift hand side panel
148	2.1470.004.2	8	washer 8
149	2.0112.207.2	1	screw m 8 p 1.25 x 20
150	2.1011.105.2	4	nut m 8 p.1.25
151	0.011.4645.0/10	4	gasket

9\_B2172\_01\_0\_B

**PLUG**

Fig.	Code	QTY	Name
1	0.008.3689.2/20	1	plug
3	0.009.3370.0	1	ring
4	2.1310.001.2	4	flat washer 5.3
5	2.1011.102.2	4	nut m 5 p.0.7

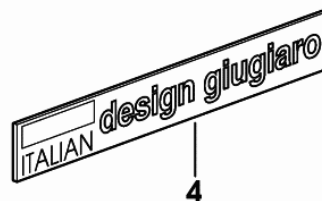
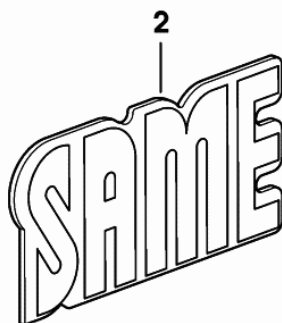
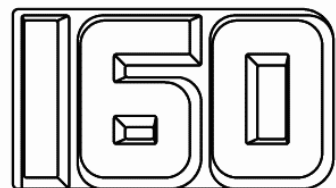


9\_52672\_10\_0\_0



**PLATES**

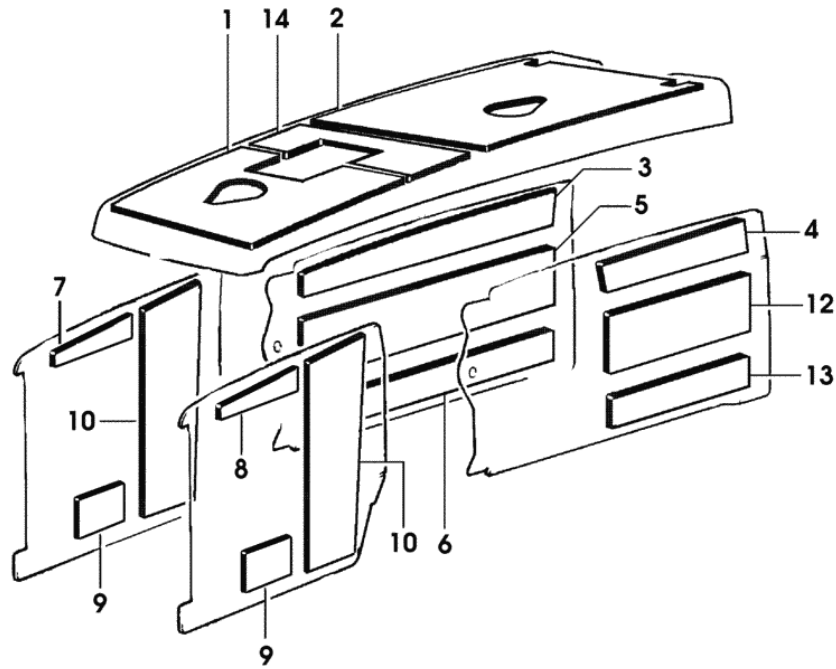
Fig.	Code	QTY	Name
1	0.008.3721.2	1	plate
2	0.269.7287.2	2	plate SAME
4	0.009.0829.2	2	plate design giugiaro
6	0.009.9797.2	2	plate SILVER
7	0.012.7106.2	2	plate



9\_B2172\_05\_0\_0

Section: BODY WORK  
**SOUNDPROOFING - HOOD**

Fig.	Code	QTY	Name
1	0.009.3608.0/10	1	panel
2	0.009.1844.0/10	1	panel
3	0.009.3221.0	1	panel dx/rh/re
4	0.009.1893.0	1	panel sx/lh/li
5	0.009.3223.0	1	panel dx/rh/re
6	0.009.3224.0	1	panel dx/rh/re
7	0.009.1849.0	1	panel dx/rh/re
8	0.009.1850.0	1	panel sx/lh/li
9	0.009.3606.0	2	panel
10	0.009.3605.0	2	panel
12	0.009.1894.0	1	panel sx/lh/li
13	0.009.3587.0	1	panel sx/lh/li
14	0.009.3607.0/10	1	panel



9\_12472\_03\_0\_0

Section: BODY WORK  
HOOD SUPPORT

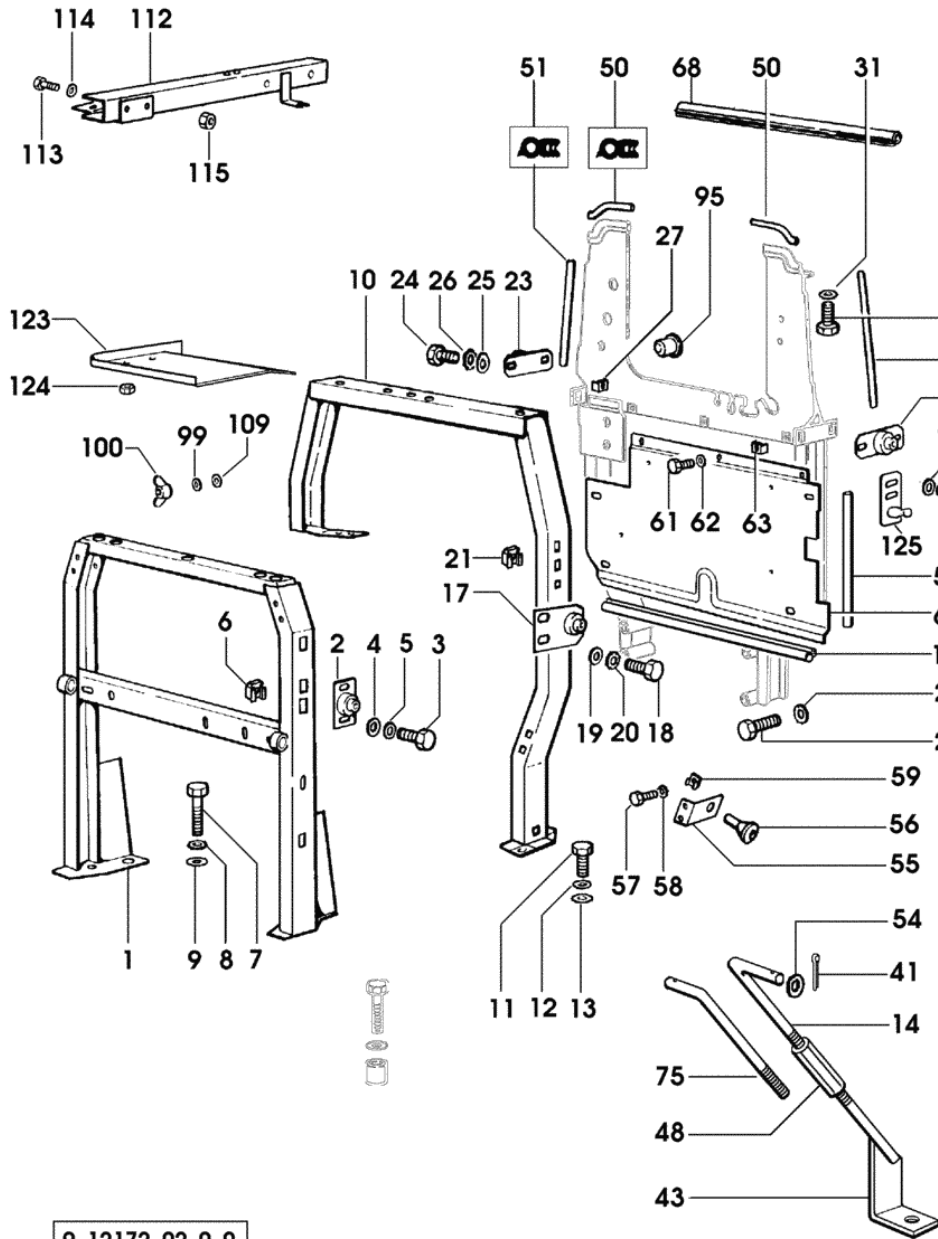


Fig.	Code	QTY	Name
1	0.009.1552.3/30	1	chassis frame
2	0.007.5936.3/30	2	plate
3	2.0112.207.2	4	screw m 8 p 1.25 x 20
4	2.1310.004.2	4	flat washer 8.5
5	2.1470.004.2	4	washer 8
6	2.6999.008.2	8	special nut m 8 p.1.25
7	2.0112.421.2	4	screw m 12 p.1.75 x 60
8	2.1470.007.2	4	lock washer 12
9	2.1310.007.2	4	flat washer 13.5
10	0.007.5919.3/40	1	chassis frame
11	2.0112.207.2	4	screw m 8 p 1.25 x 20
12	2.1470.004.2	4	washer 8
13	2.1310.004.2	4	flat washer 8.5
14	0.009.1969.0	1	rod dx/rh/re
17	0.007.5927.3/40	2	plate
18	2.0112.207.2	4	screw m 8 p 1.25 x 20
19	2.1310.004.2	4	flat washer 8.5
20	2.1470.004.2	4	washer 8
21	2.6999.008.2	4	special nut m 8 p.1.25
23	0.007.5928.3/30	2	plate
24	2.0112.207.2	4	screw m 8 p 1.25 x 20
25	2.1310.004.2	4	flat washer 8.5
26	2.1470.004.2	4	washer 8
27	2.6999.008.2	4	special nut m 8 p.1.25
28	2.0112.409.2	4	screw m 12 p.1.75 x 25
29	2.1470.007.2	4	lock washer 12
30	2.0112.207.2	2	screw m 8 p 1.25 x 20
31	2.1470.004.2	2	washer 8
41	2.1690.408.2	2	split pin 4 x 20
43	0.009.1966.2	1	rod dx/rh/re
48	2.1099.134.2	2	nut
50	0.009.0796.0	2	gasket mm 85
51	0.008.3434.0/10	2	gasket
52	0.008.3433.0/30	2	gasket
54	2.1310.007.2	2	flat washer 13.5
55	0.008.3103.0	2	gasket
56	0.255.7265.0	2	block
57	2.0112.007.2	4	screw m 6 p.1 x 20
58	2.1470.002.2	4	washer 6, d128
59	2.6999.031.2	4	special nut m 6
60	0.011.0116.0/10	1	guard
61	2.0112.007.2	8	screw m 6 p.1 x 20
62	2.1310.002.2	8	washer 6.6, d125
63	2.6999.031.2	8	special nut m 6

9\_12172\_02\_0\_0

Section: BODY WORK  
HOOD SUPPORT

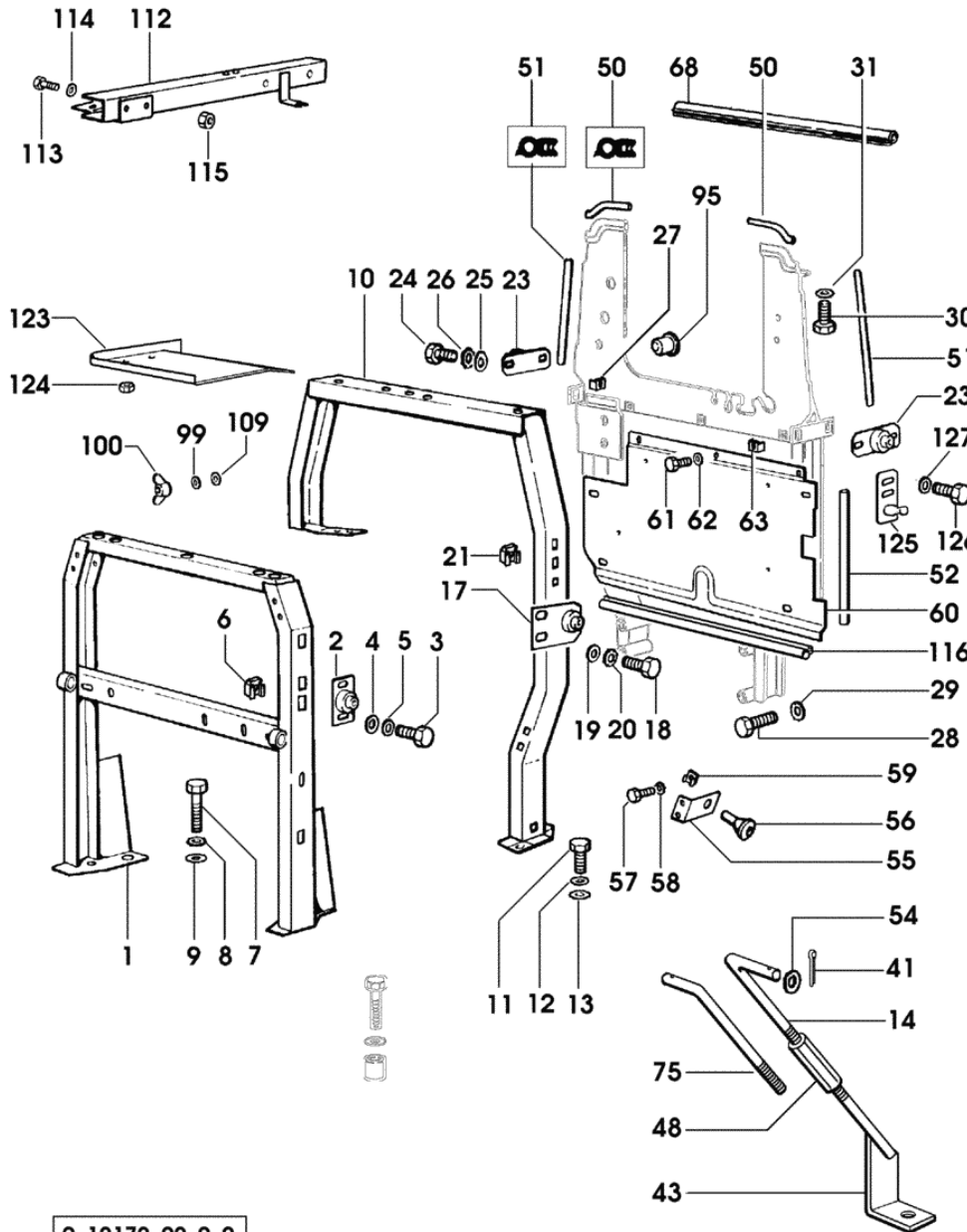
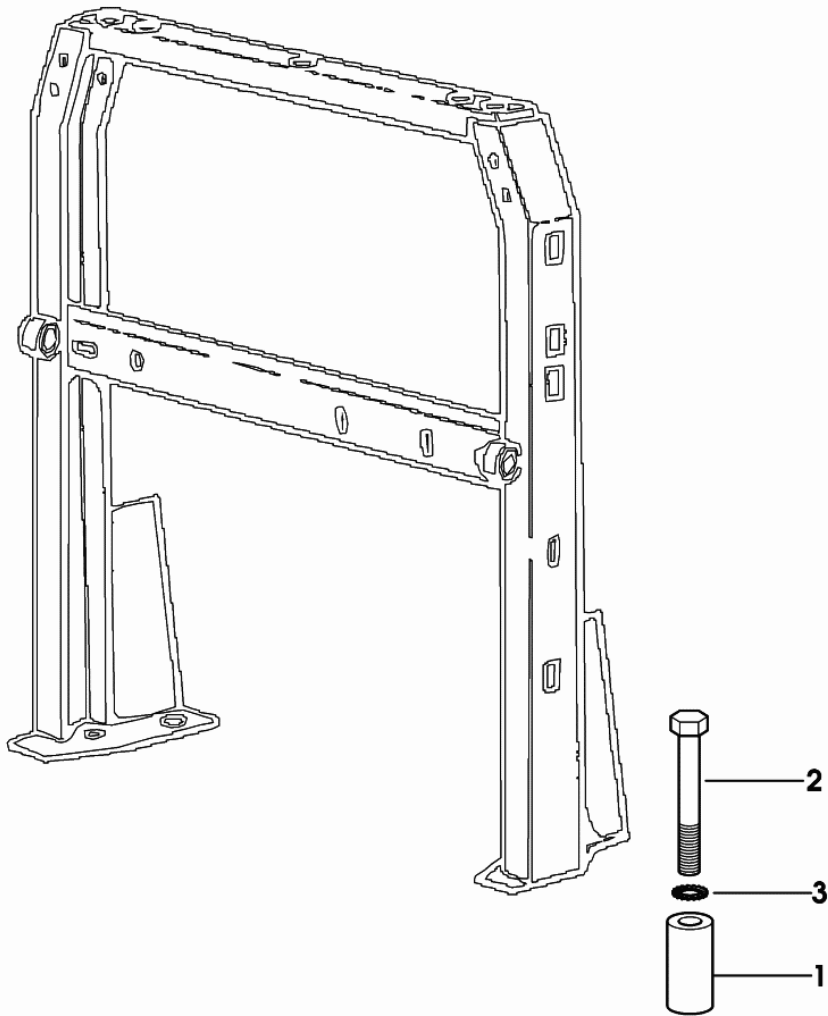


Fig.	Code	QTY	Name
68	0.009.1891.0	1	gasket mm 570
75	0.009.1968.0	1	rod sx/lh/li
95	2.3199.126.0/10	1	plug mm 15
99	2.1470.004.2	2	washer 8
100	2.1110.005.2	2	wing nut m 8
109	2.1310.004.2	2	flat washer 8.5
112	0.009.1571.2/10	1	channel
113	2.0112.007.2	2	screw m 6 p.1 x 20
114	2.1470.002.2	2	washer 6, d128
115	2.1011.103.2	2	nut m 6 p.1
116	0.009.0797.0/10	1	gasket
123	0.009.2866.0	1	shield
124	2.1011.102.2	2	nut m 5 p.0.7
125	0.011.5718.2	1	ferrule
126	2.0312.002.2	2	screw
127	2.1480.011.2	2	washer 5

9\_12172\_02\_0\_0

Section: BODY WORK  
HOOD FRONT PART

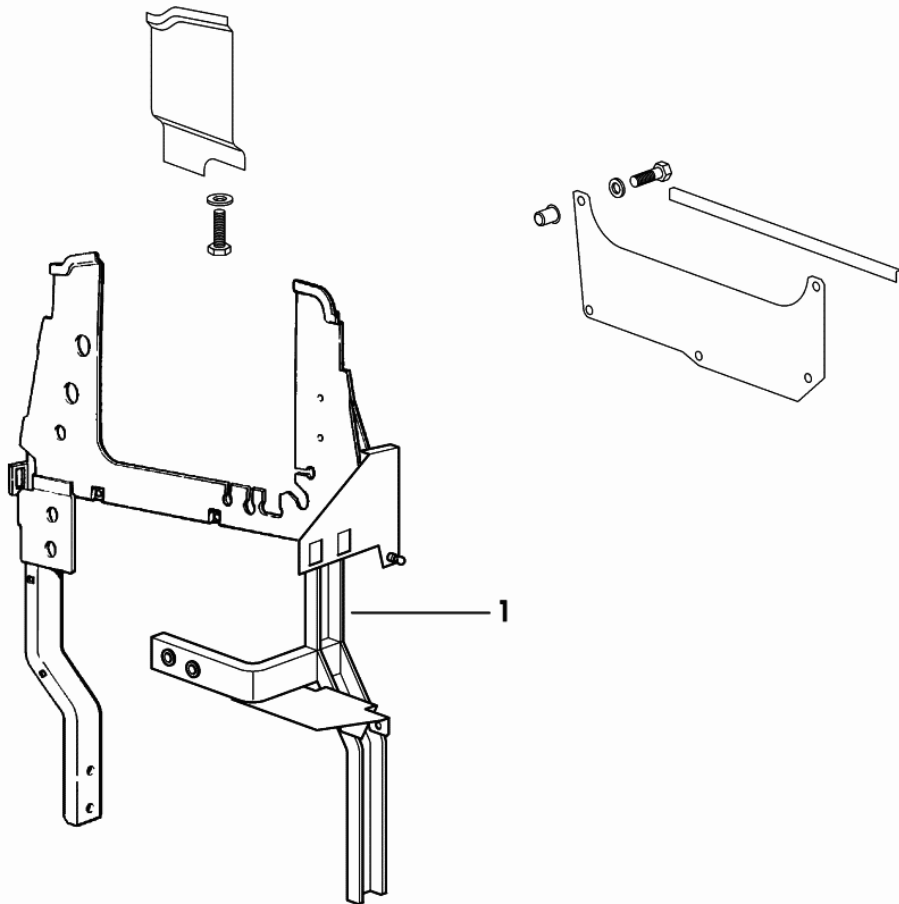
Fig.	Code	QTY	Name
1	2.1549.126.2	1	spacer 15x30x60
2	2.0112.529.2	1	screw m 14 p.2x100
3	2.1470.008.2	1	lock washer 14



9\_49272\_08\_0\_0

Section: BODY WORK  
**DEFLECTORS AND SUPPORTS**

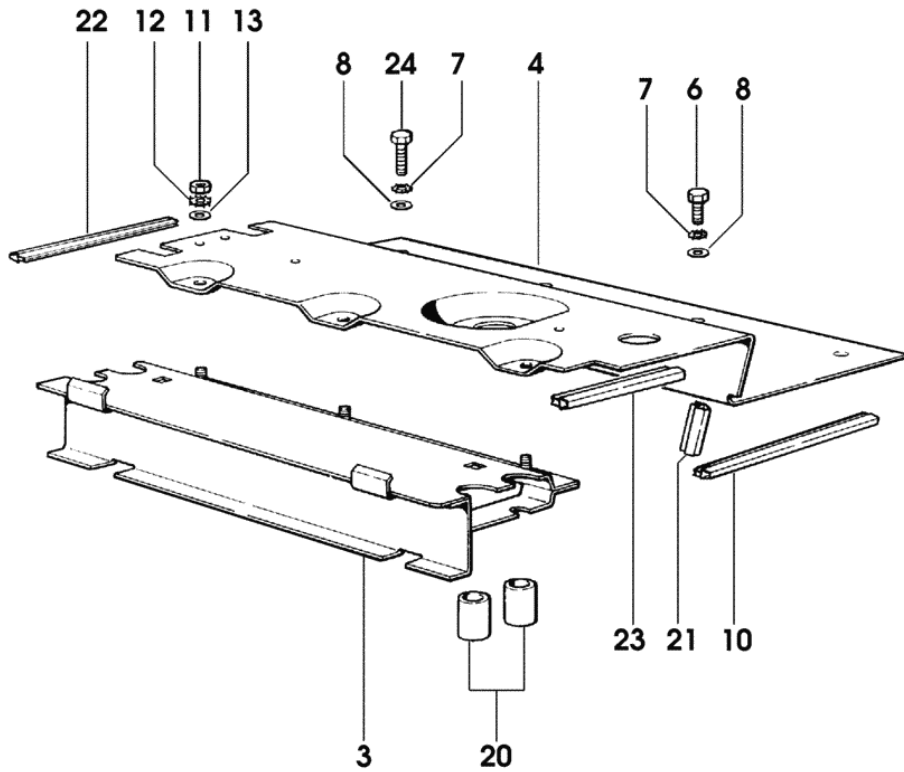
Fig.	Code	QTY	Name
1	0.011.0161.3/20	1	division



9\_12172\_04\_0\_0

Section: BODY WORK  
**BATTERY SUPPORT**

Fig.	Code	QTY	Name
3	0.009.0910.2/40	1	battery support
4	0.009.1109.2/70	1	battery support
6	2.0112.207.2	3	screw m 8 p 1.25 x 20
7	2.1470.004.2	4	washer 8
8	2.1310.004.2	4	flat washer 8.5
10	0.008.3429.0/20	2	gasket
11	2.1011.103.2	3	nut m 6 p.1
12	2.1470.002.2	3	washer 6, d128
13	2.1310.002.2	3	washer 6.6, d125
20	2.1579.763.0	4	spacer 17 x 25 x 28
21	0.009.1888.0/10	2	gasket
22	0.009.1889.0/10	1	gasket
23	0.009.1890.0/10	1	gasket
24	2.0112.211.2	1	screw m 8 p.1.25 x 30



9\_12172\_03\_0\_0

Section: BODY WORK  
**BELT GUARDS**

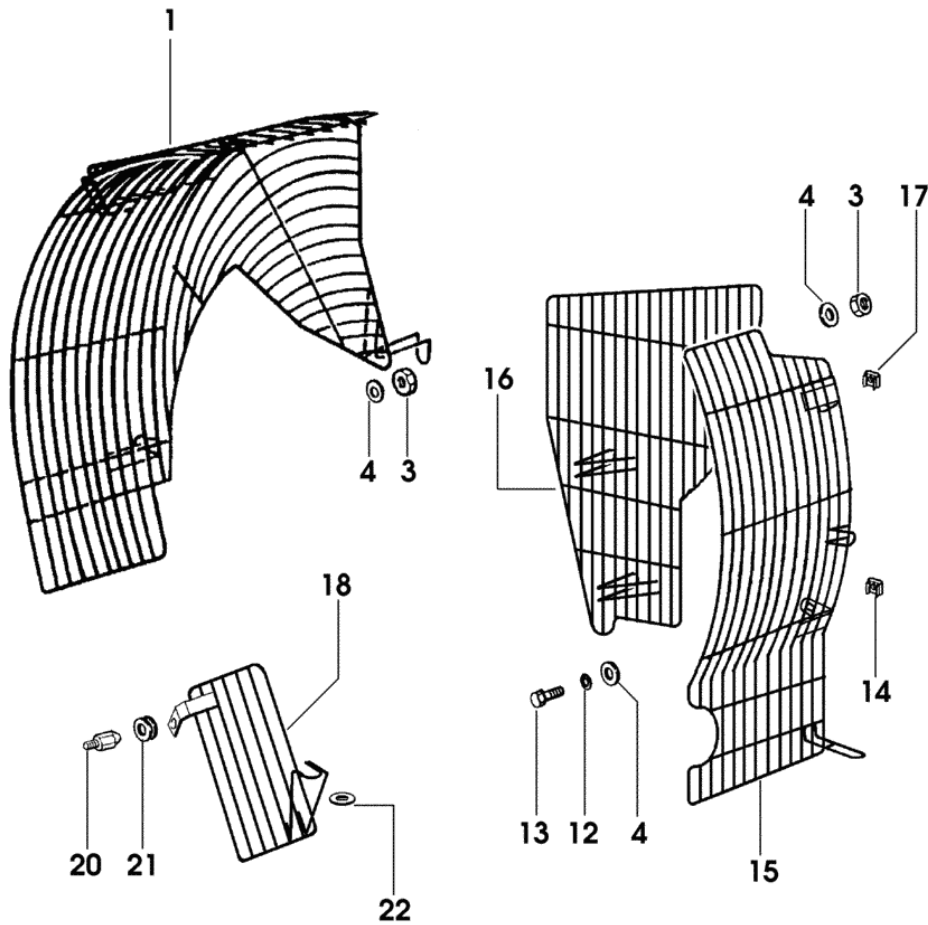


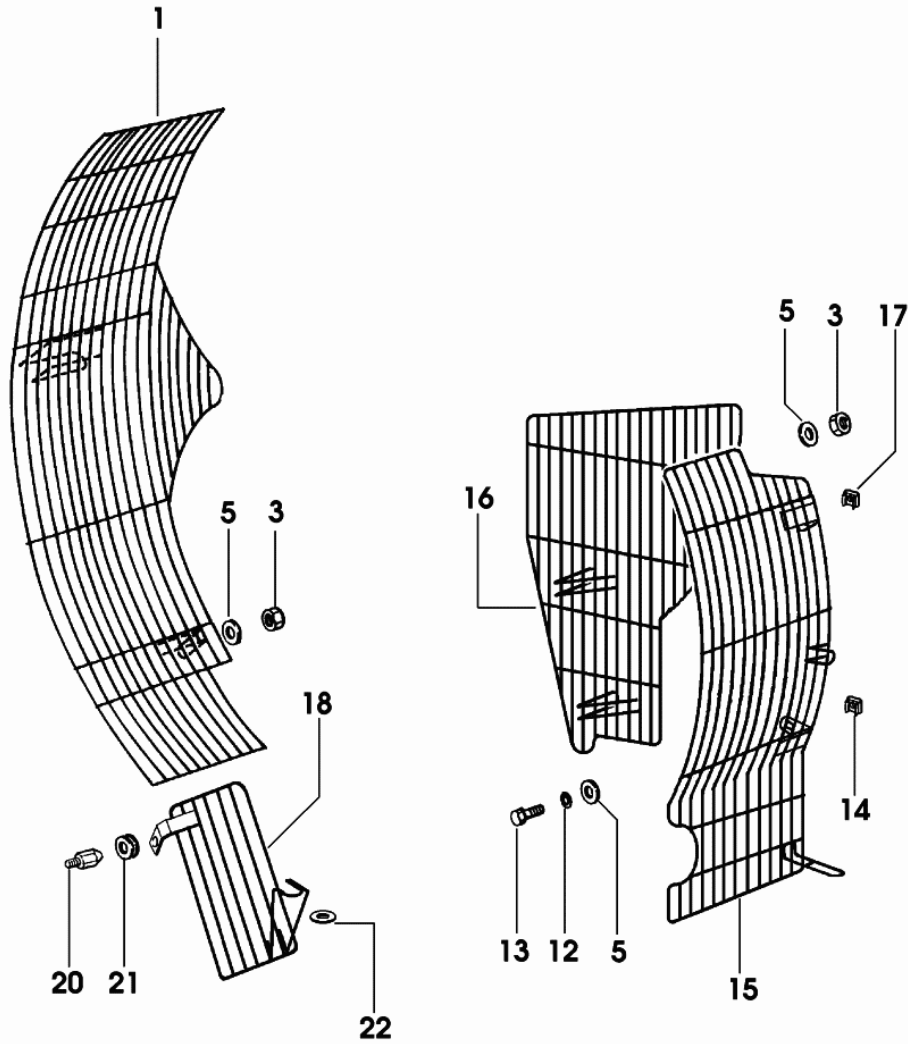
Fig.	Code	QTY	Name
1	0.009.1614.2/10	1	shield dx/rh/re
3	2.1011.105.2	3	nut m 8 p.1.25
4	2.1310.004.2	7	flat washer 8.5
12	2.1470.002.2	4	washer 6, d128
13	2.0112.007.2	4	screw m 6 p.1 x 20
14	2.6999.031.2	1	special nut m 6
15	0.009.2650.2/30	1	shield
16	0.009.2649.2/10	1	shield sx/lh/li
17	2.6999.003.2	3	special nut m 6
18	0.009.3539.2/10	1	shield dx/rh/re
20	0.467.7250.0/10	1	pin
21	2.6560.006.0	1	wire guide 12x1.5
22	2.1579.154.2	1	spacer 10.5x16x3

9\_50672\_06\_0\_0



**BELT GUARDS - FOR MODELS WITH COMPRESSOR**

Fig.	Code	QTY	Name
1	0.009.1613.2/40	1	shield dx/rh/re
3	2.1011.105.2	2	nut m 8 p.1.25
5	2.1310.004.2	6	flat washer 8.5
12	2.1470.002.2	4	washer 6, d128
13	2.0112.007.2	4	screw m 6 p.1 x 20
14	2.6999.031.2	1	special nut m 6
15	0.009.2650.2/30	1	shield
16	0.009.2649.2/10	1	shield sx/lh/li
17	2.6999.003.2	3	special nut m 6
18	0.009.3539.2/10	1	shield dx/rh/re
20	0.467.7250.0/10	1	pin
21	2.6560.006.0	1	wire guide 12x1.5
22	2.1579.154.2	1	spacer 10.5x16x3

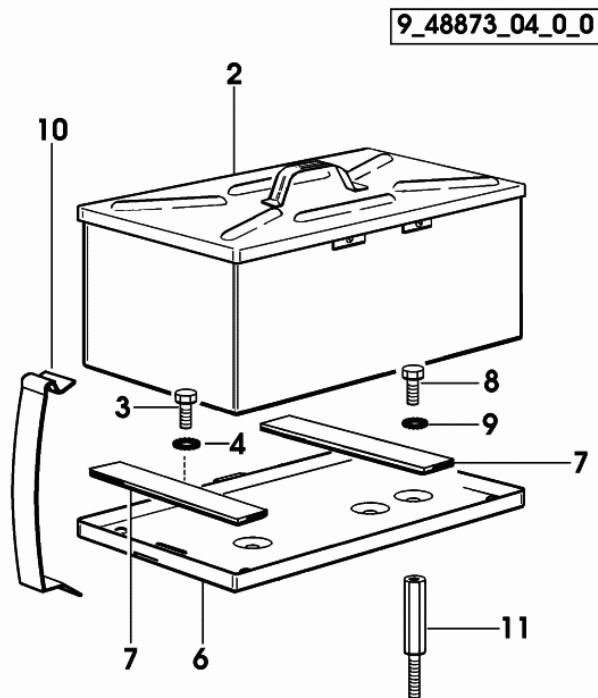


9\_50672\_07\_0\_0

## Section: BODY WORK

**METAL TOOLBOX**

Fig.	Code	QTY	Name
2	0.009.6878.3/10	1	metal toolbox
3	2.0112.307.2	1	screw m 10 p.1.5 x 20
4	2.1470.010.2	1	lock washer 18
6	0.010.9599.2	1	support
7	0.007.6103.0	2	guard
8	2.0112.205.2	2	screw m 8 p.1.25 x 16
9	2.1470.009.2	2	lock washer 16
10	0.007.6104.0/10	2	spring
11	0.010.9595.0	2	small column



Section: BODY WORK

**WATER COOLING**

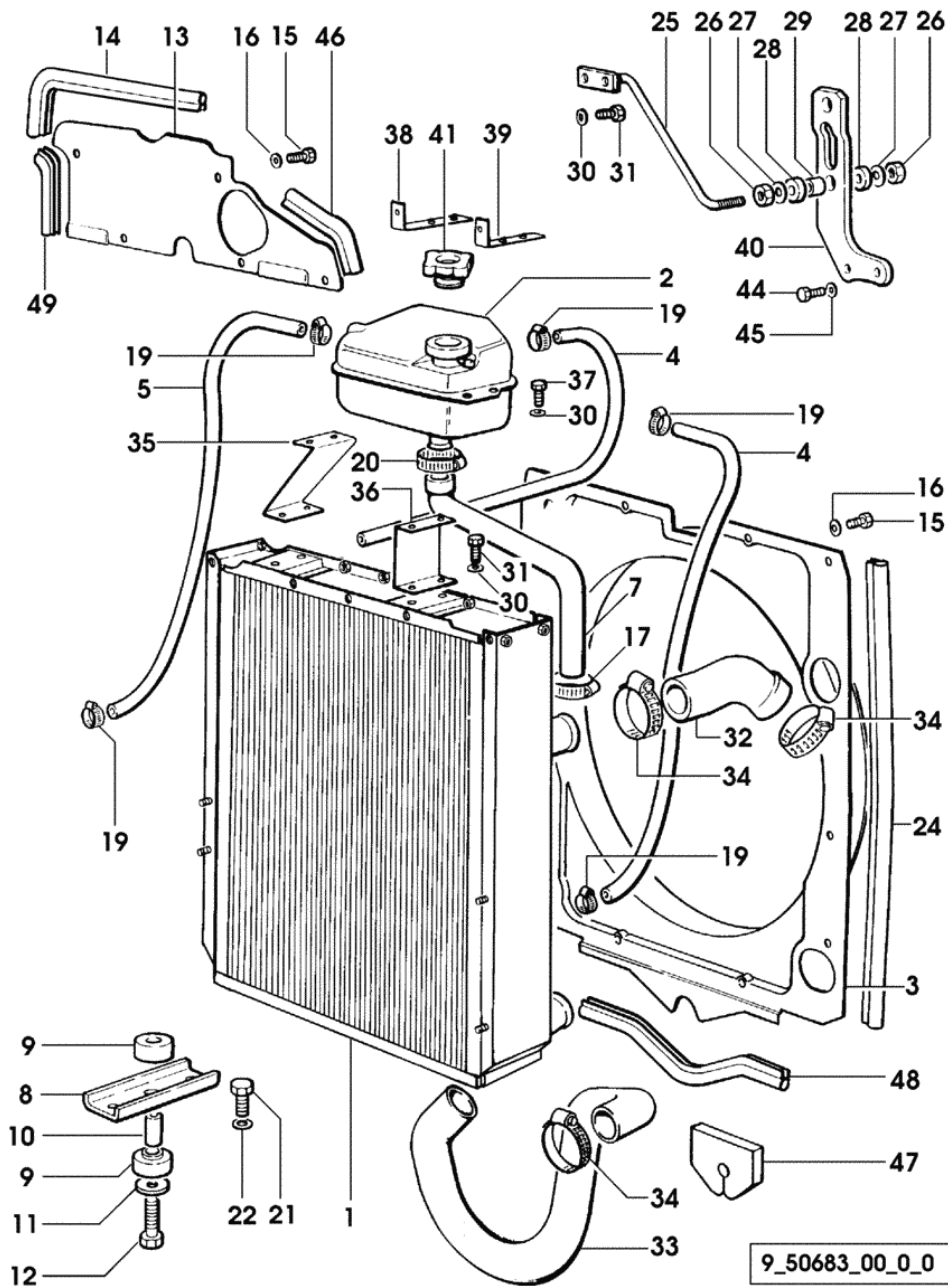


Fig.	Code	QTY	Name
1	0.011.3430.2/10	1	water cooler
2	0.007.1080.3/40	1	cup
3	0.007.1417.0/50	1	duct
4	0.012.6457.0	0	tube
5	0.012.6457.0	0	tube
7	0.007.1084.0/10	1	tube
8	0.009.1883.0/10	2	front support
9	0.007.0675.0	4	silent-block
10	2.1579.986.2	2	spacer 12x16x40
11	2.1599.244.2	2	snoulder 12.5x40x3
12	2.0112.320.2	2	screw m 10 p.1.5 x 55
13	0.007.1021.0/20	1	division
14	0.277.7263.0/10	1	gasket mm 420
15	2.0112.004.2	18	screw m 6 p.1 x 14
16	2.1310.002.2	18	washer 6.6, d125
17	2.6859.052.2	1	clamp
19	2.6850.002.0	4	clamp 12-22
20	2.6850.007.0	1	clamp 25-40
21	2.0112.307.2	4	screw m 10 p.1.5 x 20
22	2.1310.006.2	4	flat washer 10.5
24	0.007.0680.0/20	2	gasket
25	0.007.0677.2/20	1	rod
26	2.1011.106.2	2	nut m 10 p.1.5
27	2.1599.044.2	2	snoulder 10.5x25.5x1.5
28	0.136.7387.0	2	rubber plug 15x27x5
29	2.1579.090.2	1	spacer 10.1x15x18
30	2.1310.004.2	10	flat washer 8.5
31	2.0112.205.2	6	screw m 8 p.1.25 x 16
32	0.007.0724.0/20	1	sleeve
33	0.007.1386.0/20	1	tube mm 45
34	2.6850.010.0	4	clamp 40-60
35	0.007.1024.2	1	bracket
36	0.007.1025.2	1	bracket
37	2.0112.207.2	4	screw m 8 p.1.25 x 20
38	0.007.1023.2	1	bracket dx/rh/re
39	0.007.1022.2	1	bracket sx/lh/li
40	0.008.9433.0	1	bracket
41	0.011.5398.3	1	plug
44	2.0112.307.2	2	screw m 10 p.1.5 x 20
45	2.1310.006.2	2	flat washer 10.5
46	0.009.0891.0/20	1	gasket
47	0.009.1886.0	1	gasket
48	0.009.1887.0	1	gasket
49	0.009.0796.0	1	gasket mm 85

Section: BODY WORK  
**PEDAL SUPPORT**

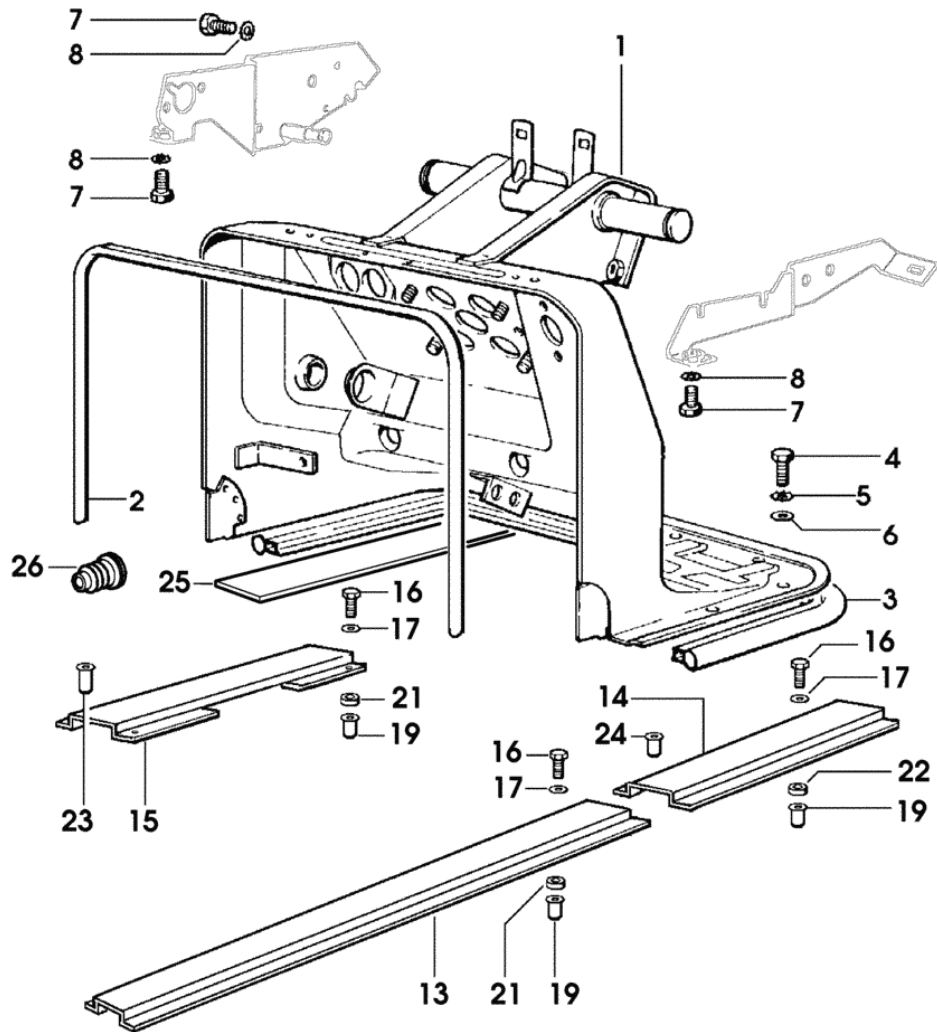


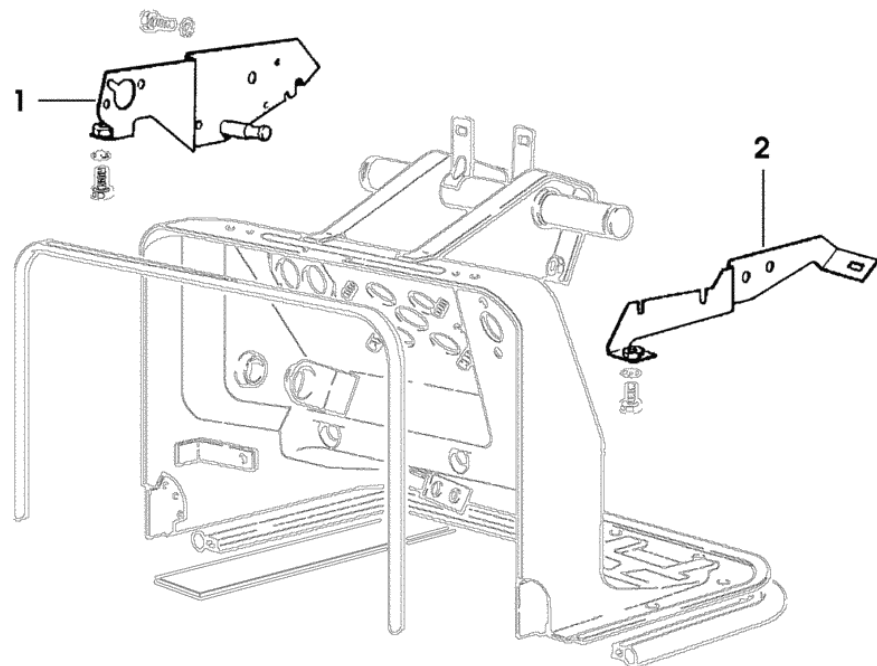
Fig.	Code	QTY	Name
1	0.009.2765.3/30	1	support
2	0.008.2198.0/10	1	gasket
3	0.008.2199.0/10	1	gasket
4	2.0112.209.2	10	screw m 8 p 1.25 x 25
5	2.1470.004.2	10	washer 8
6	2.1310.004.2	14	flat washer 8.5
7	2.0112.205.2	4	screw m 8 p.1.25 x 16
8	2.1470.004.2	4	washer 8
13	0.009.2963.0	1	channel sx/lh/li
14	0.009.2021.0/10	1	channel sx/lh/li
15	0.009.2964.0	1	channel dx/rh/re
16	2.0112.011.2	6	screw m 6 p.1x30
17	2.1310.002.2	6	washer 6.6, d125
19	2.1142.004.2	6	insert m 6
21	2.1579.726.2/10	5	spacer 8.4x11.5x6
22	2.1579.188.0	1	spacer 8.5x18x9
23	2.1140.024.2	4	special nut m 8 p.1.25
24	2.1140.023.2	6	special nut m 8 p.1.25
25	0.467.8151.0	1	gasket
26	0.009.8175.0/10	1	bellows

9\_52673\_01\_0\_0

## Section: BODY WORK

**PEDAL SUPPORT**

Fig.	Code	QTY	Name
1	0.009.0641.2/40	1	support dx/rh/re
2	0.009.0306.2/20	1	bracket sx/lh/li



9\_52673\_03\_0\_0

Section: BODY WORK  
**DASHBOARD**

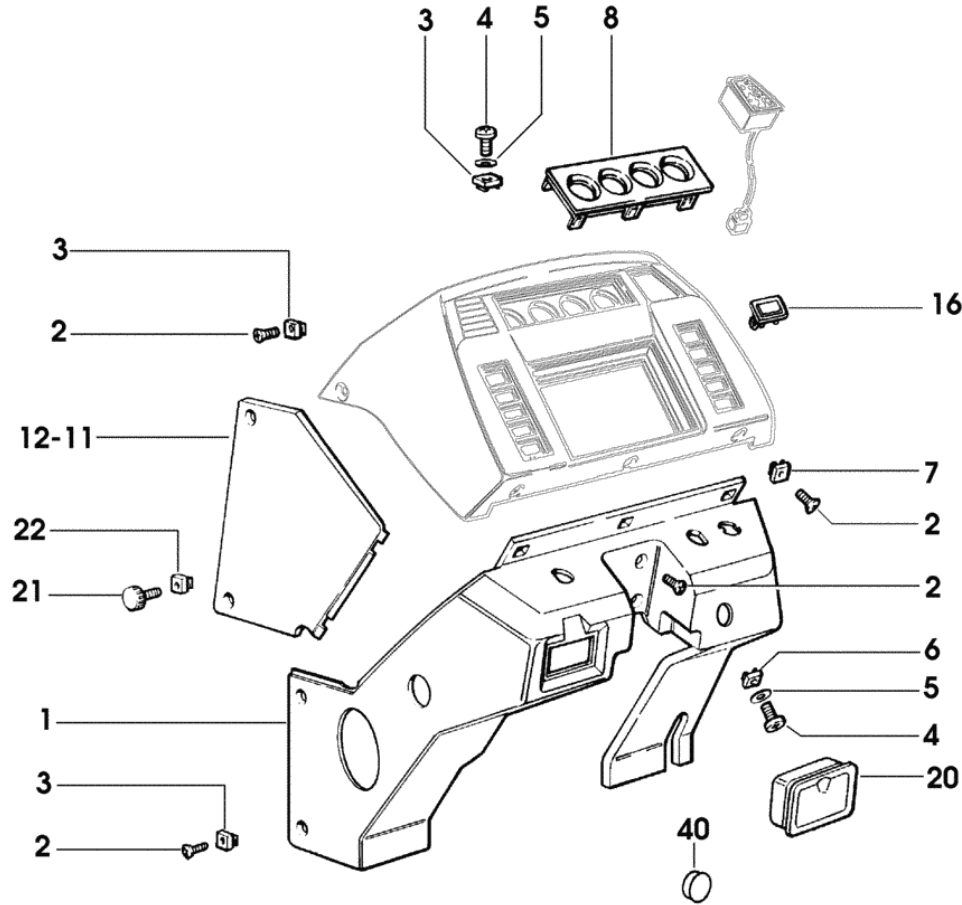
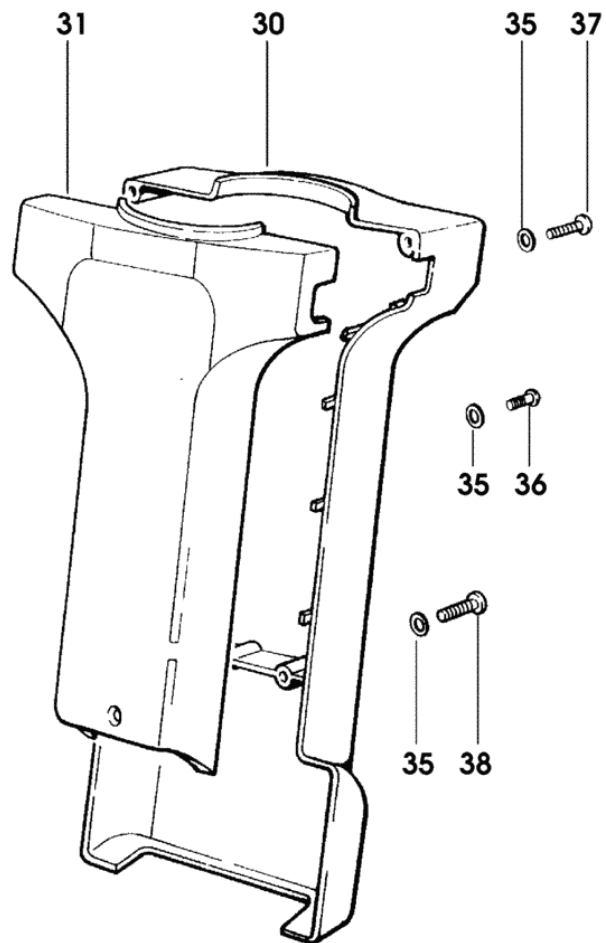


Fig.	Code	QTY	Name
1	0.009.0322.0/70	1	dashboard
2	2.0322.407.6	11	screw m 6 x 20
3	2.6999.003.2	7	special nut m 6
4	2.0332.407.6	3	screw m 6 x 20
5	2.1310.002.3	3	flat washer 6.4 x 12 x 1.6
6	2.6999.024.2	4	special nut m 6
7	2.6999.031.2	3	special nut m 6
8	0.009.0498.0/20	1	frame
11	0.009.0323.0/20	1	cover sx/lh/li
12	0.009.0324.0/20	1	cover dx/rh/re
16	0.009.0500.0	5	plug 50x26
20	0.008.2658.0	1	ash-try
21	0.009.0740.0	4	knob
22	2.6999.033.2	4	special nut m 5
40	0.011.6915.0	1	plug 27.8-28.6/30.9

9\_52674\_00\_0\_A

**DASHBOARD - STEERING COVER**

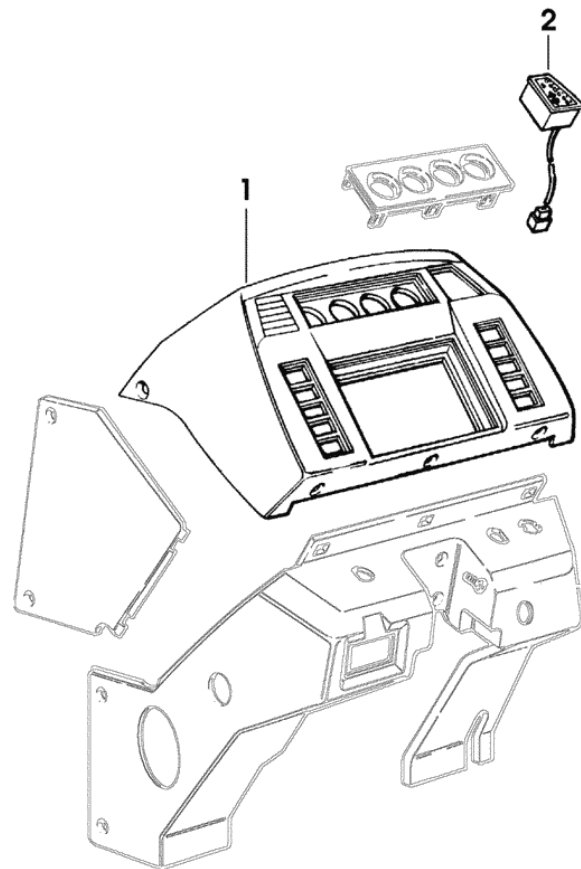
Fig.	Code	QTY	Name
30	0.009.0759.0/20	1	cover
31	0.009.0758.2/10	1	cover
35	2.1499.095.3	6	washer 5
36	2.0332.304.2	2	screw m 5 p.0.8 x 12
37	2.0339.007.3	2	screw m 5 x 40
38	2.0339.008.3	2	screw m 5x50



9\_52674\_00\_0\_B

**CONSOLE - INSTRUMENT PANEL**

Fig.	Code	QTY	Name
1	0.009.2884.0/10	1	instrument holder e.p.s 3554 <- X SILVER 160 1563 <- X SILVER 180
1	0.009.2884.0/20	1	instrument holder -> 3555 X SILVER 160 -> 1564 X SILVER 180
2	2.8339.207.0	1	controle panel

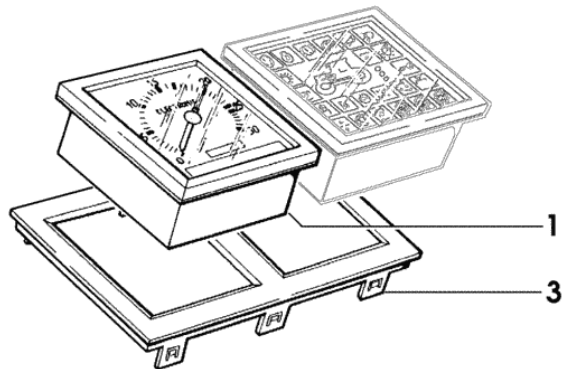


9\_49274\_02\_0\_0



**ELECTRIC REV-HOUR RECORDER TACHOMETER - 30 Km/h**

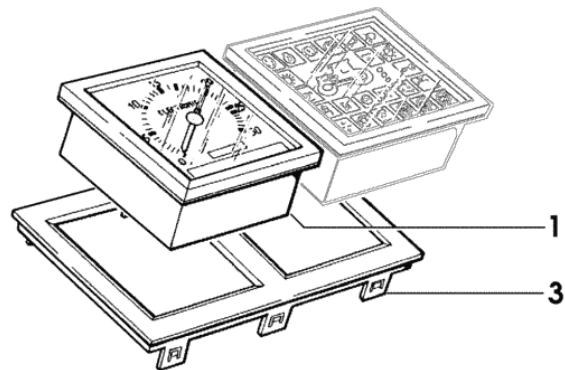
Fig.	Code	QTY	Name
1	2.7049.820.0/20	1	multimeter
3	0.009.0499.0/30	1	frame



9\_49274\_05\_0\_0

**ELECTRIC REV-HOUR RECORDER TACHOMETER - 40 Km/h**

Fig.	Code	QTY	Name
1	2.7049.830.0/20	1	multimeter
3	0.009.0499.0/30	1	frame



9\_49274\_06\_0\_0

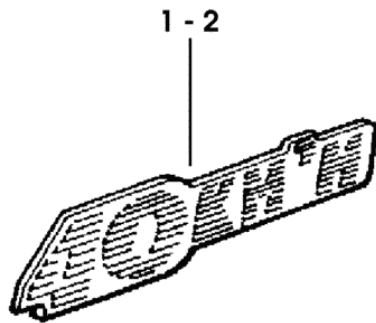
Section: BODY WORK  
SPEED LABEL - 40 KM/H

Fig.	Code	QTY	Name
------	------	-----	------

## Notes:

(..) &lt;- X SILVER 160 (..) &lt;- X SILVER 180

1	0.008.2962.2	1	plate sx/lh/li
2	0.008.2963.2	1	plate dx/rh/re

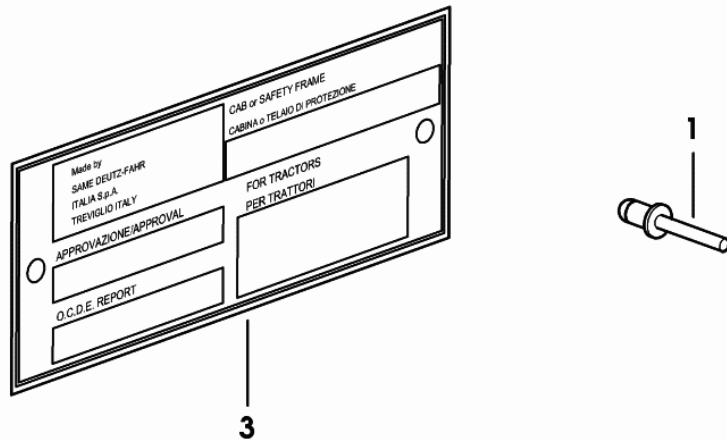


9\_54672\_02\_0\_0

## Section: BODY WORK

**PLATES**

Fig.	Code	QTY	Name
1	2.1855.010.0	8	rivet 3.4
3	2.9919.966.0/30	1	plate

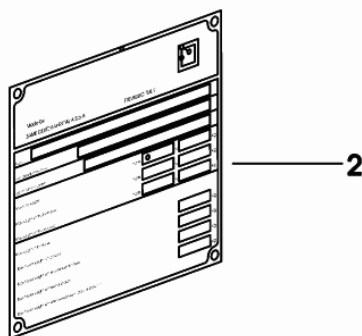
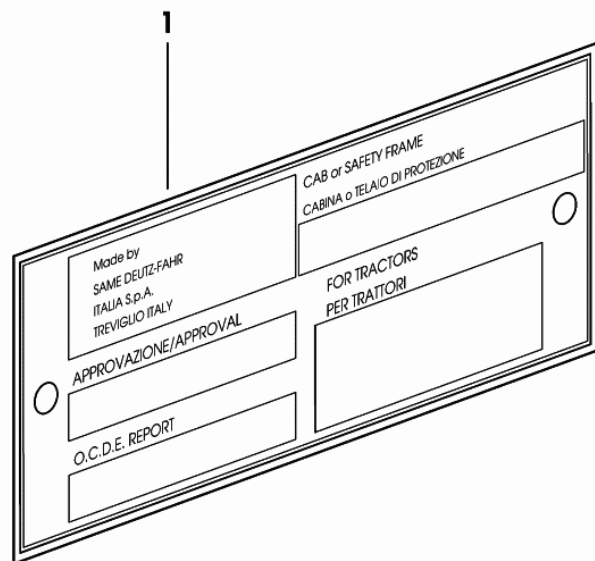


9\_62074\_21\_0\_0

Section: BODY WORK

**PLATES OCDE**

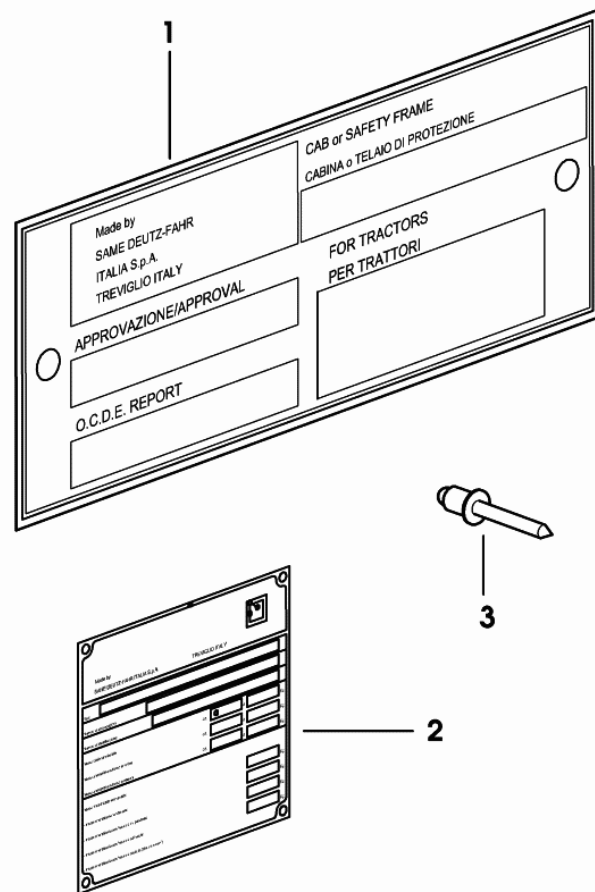
Fig.	Code	QTY	Name
1	2.9919.966.0/30	1	plate
2	0.000.0000.1	0	not serviceable



9\_70274\_24\_0\_0

**PLATES**

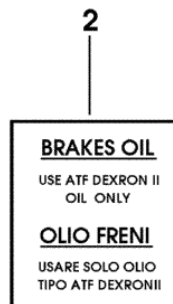
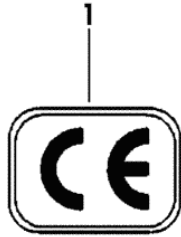
Fig.	Code	QTY	Name
1	2.9919.966.0/30	1	plate
2	0.000.0000.1	0	not serviceable
3	2.1856.304.0	4	rivet 4



9\_70274\_20\_0\_0

Section: BODY WORK  
INFORMATION PLATE

Fig.	Code	QTY	Name
1	2.9929.566.0	1	plate " CE "
2	2.9929.684.0	1	plate



9\_62074\_30\_0\_0

Section: BODY WORK  
PLATES

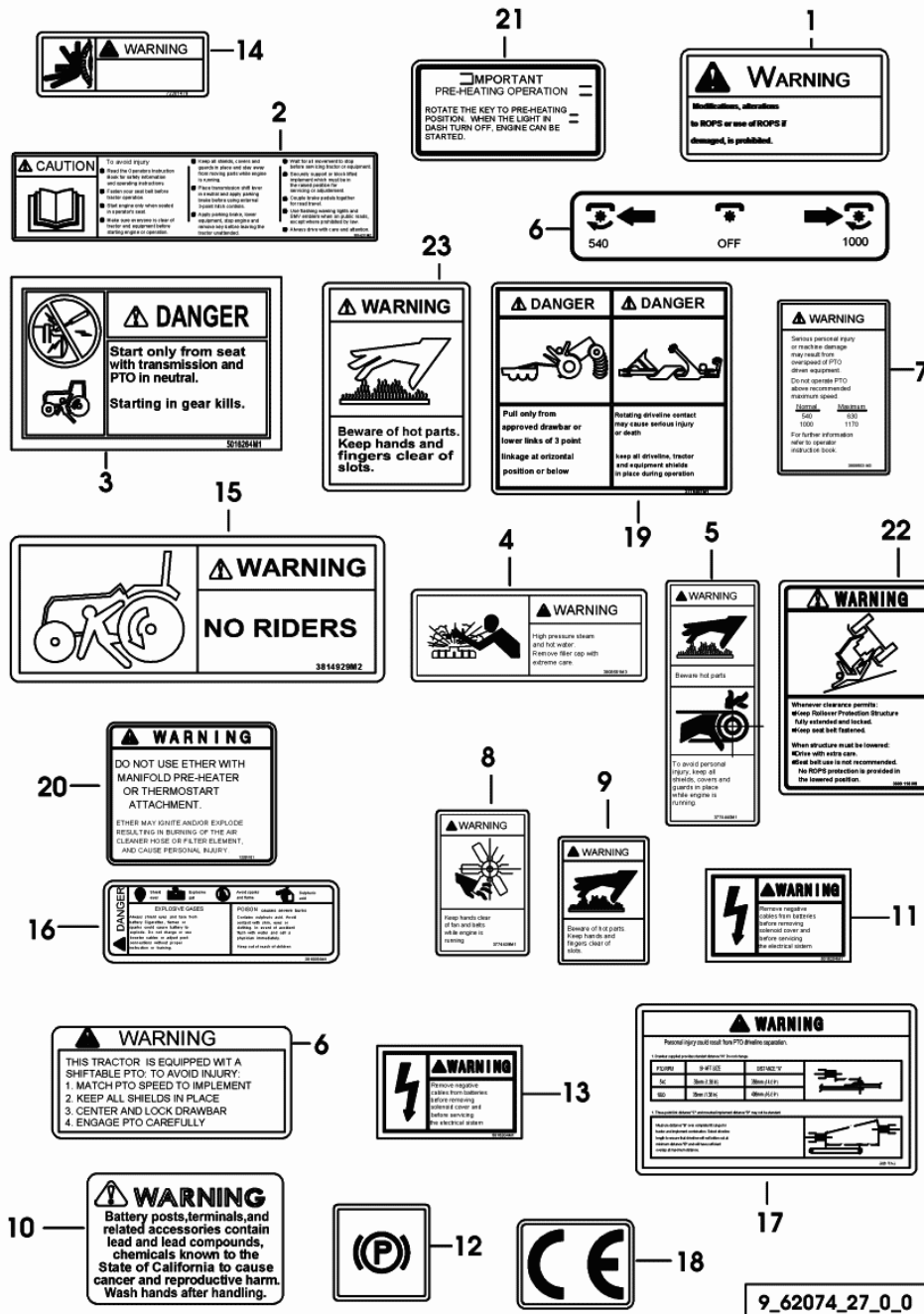


Fig.	Code	QTY	Name
1	2.9929.699.0	1	plate
2	2.9929.848.0	1	plate
3	2.9929.854.0	1	plate
4	2.9929.792.0	1	plate
5	2.9929.791.0	1	plate
6	2.9929.846.0	1	plate
7	2.9929.853.0	1	plate
8	2.9929.794.0	1	plate
9	2.9929.847.0	1	plate
10	2.9929.754.0	1	plate
11	2.9929.860.0	1	plate
12	2.9929.702.0	1	plate
13	2.9929.860.0	1	plate
14	2.9929.859.0	2	plate
15	2.9929.793.0	1	plate
16	2.9929.862.0	1	plate
17	2.9929.855.0/20	1	plate
18	2.9929.566.0	1	plate " CE "
19	2.9929.856.0	1	plate
20	2.9929.544.0	1	plate
21	2.9929.852.0	1	plate
22	2.9929.857.0	1	plate
23	2.9929.858.0	1	plate



**ELECTRONIC ACCELERATOR CONTROL**

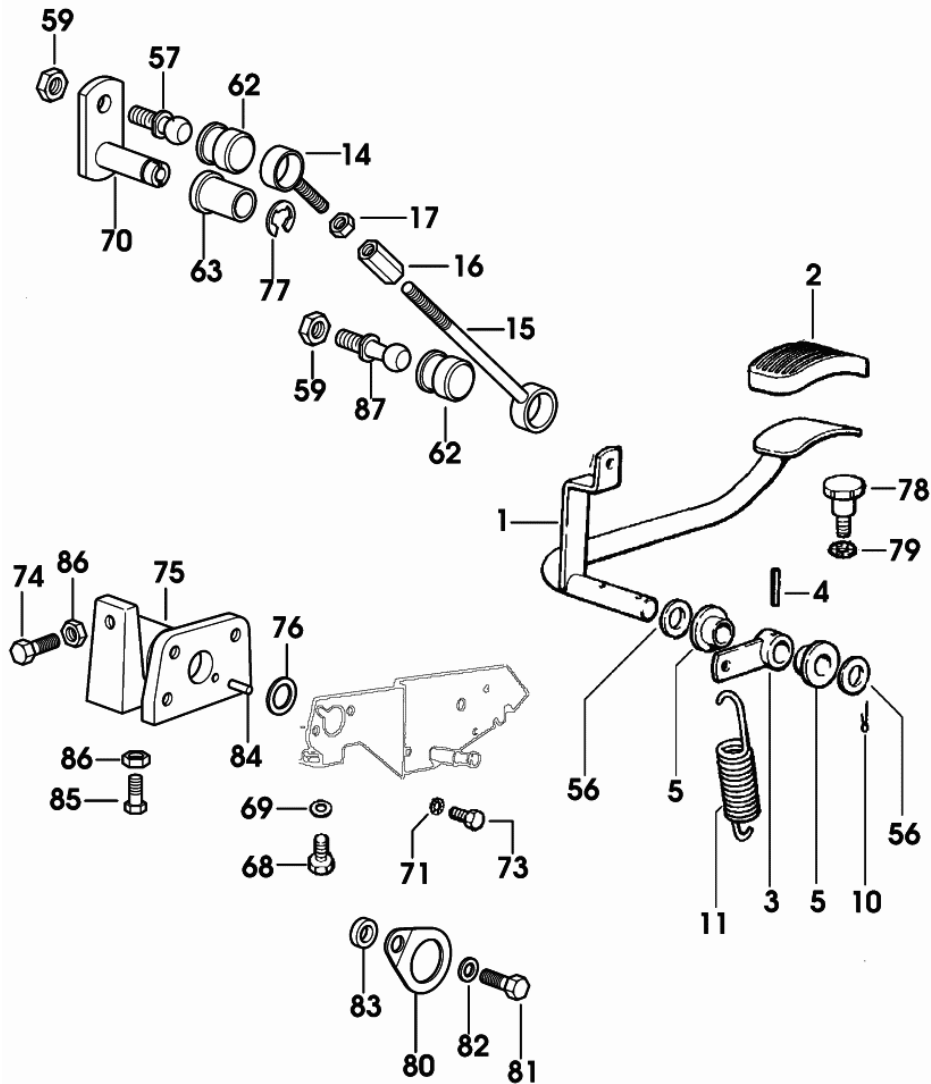


Fig.	Code	QTY	Name
1	0.008.2082.2/10	1	accel. pedal
2	0.008.2080.0/10	1	cover
3	0.008.2081.2/10	1	lever
4	2.1630.612.0	1	roll pin 6 x 28
5	2.1559.213.0	2	bushing 15.2 x 20 x 15
10	2.1690.410.2	1	split pin 4 x 25
11	2.4049.079.2	1	spring
14	0.008.2193.2/20	1	rod
15	0.008.2192.2/20	1	rod
16	2.1099.011.2	1	special nut
17	2.1011.103.2	1	nut m 6 p.1
56	2.1311.010.2	2	flat washer 16
57	0.255.6456.0/10	1	pin mm 13
59	2.1120.005.2	2	nut m 8 p.1.25
62	0.255.6454.0	2	pin seat
63	2.1559.214.0/20	1	bushing
68	2.0112.205.2	1	screw m 8 p.1.25 x 16
69	2.1310.004.2	1	flat washer 8.5
70	0.009.0602.2/30	1	lever
71	2.1470.002.2	2	washer 6, d128
73	2.0112.007.2	2	screw m 6 p.1 x 20
74	2.0119.141.2	1	screw m 6 p.1 x 35
75	0.009.1250.0/20	1	support
76	2.1311.008.2	1	flat washer 12
77	2.1430.010.7	1	circlip 9
78	0.009.0643.0/10	1	stop
79	2.1470.004.2	1	washer 8
80	0.009.0702.0/10	1	small plate
81	2.0112.009.2	1	screw m 6 p.1 x 25
82	2.1470.002.2	1	washer 6, d128
83	2.1579.938.2/10	1	spacer 7x12x3.5
84	2.1630.206.0	1	roll pin 3x12
85	2.0112.006.2	1	screw m 6 p.1 x 18
86	2.1011.203.2	2	nut m 6 p.1
87	0.009.2679.0	1	pin

9\_52667\_01\_0\_0

9\_67867\_02\_0\_0

SILVER 160

Ref.: 07.00.33

Section: BODY WORK

**ELECTRONIC ACCELERATOR CONTROL**

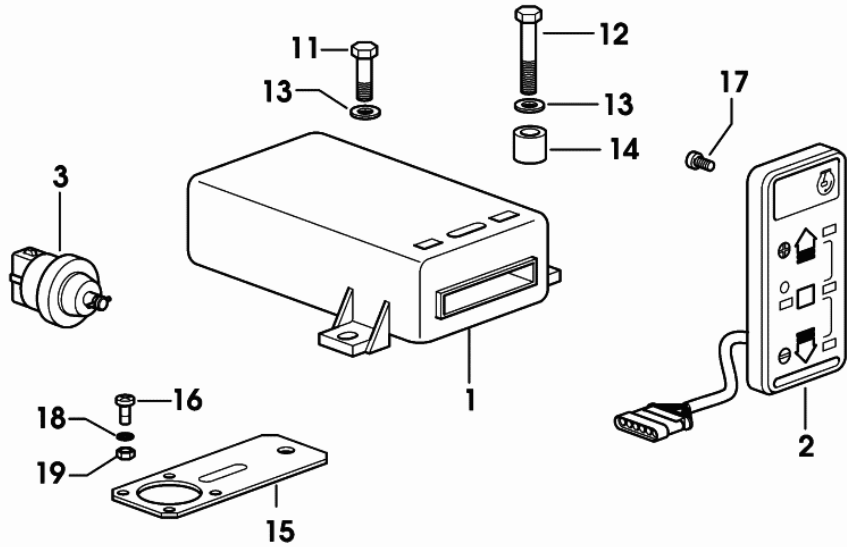
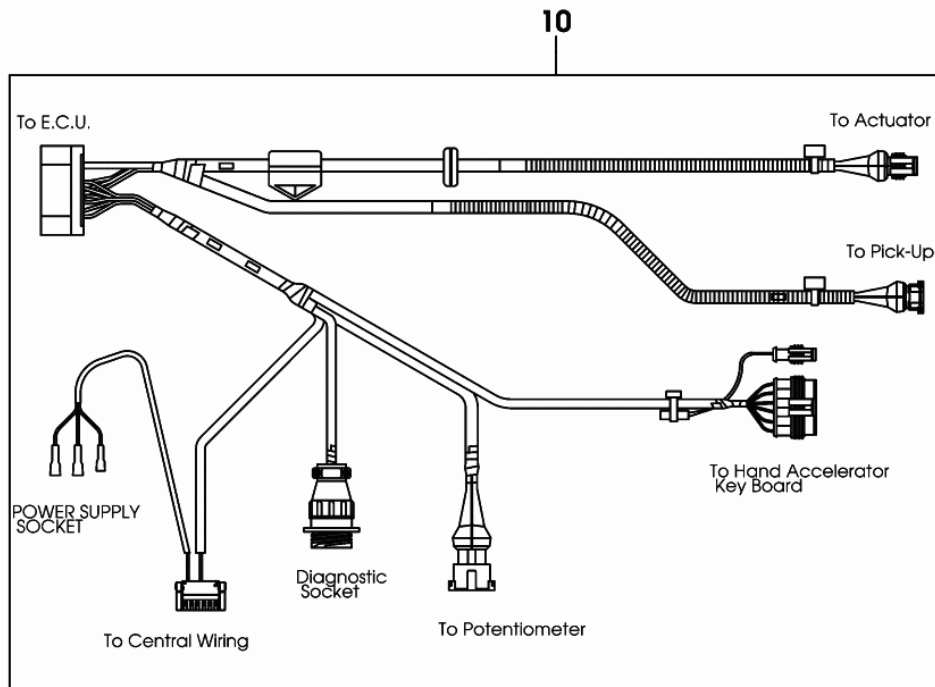


Fig.	Code	QTY	Name
1	0.011.4701.4	1	electronic unit
2	0.009.7620.4/10	1	push-button
3	0.008.8199.3	1	potentiometer
10	0.011.4702.4	1	electrical system
11	2.0112.007.2	1	screw m 6 p.1 x 20
12	2.0112.013.2	1	screw m 6 p.1 x 35
13	2.1310.002.2	2	washer 6.6, d125
14	2.1579.996.2	1	spacer 8x14x12
15	0.008.1961.0/10	1	bracket
16	2.0332.203.2	4	screw m 4 x 10
17	2.0332.202.3	4	screw m 4 p.0.7x8
18	2.1310.028.2	4	flat washer 4
19	2.1011.101.2	4	nut m 4 p.0.7



Section: BODY WORK  
**SELF-ADJUSTING FRONT FENDERS - MM 470**

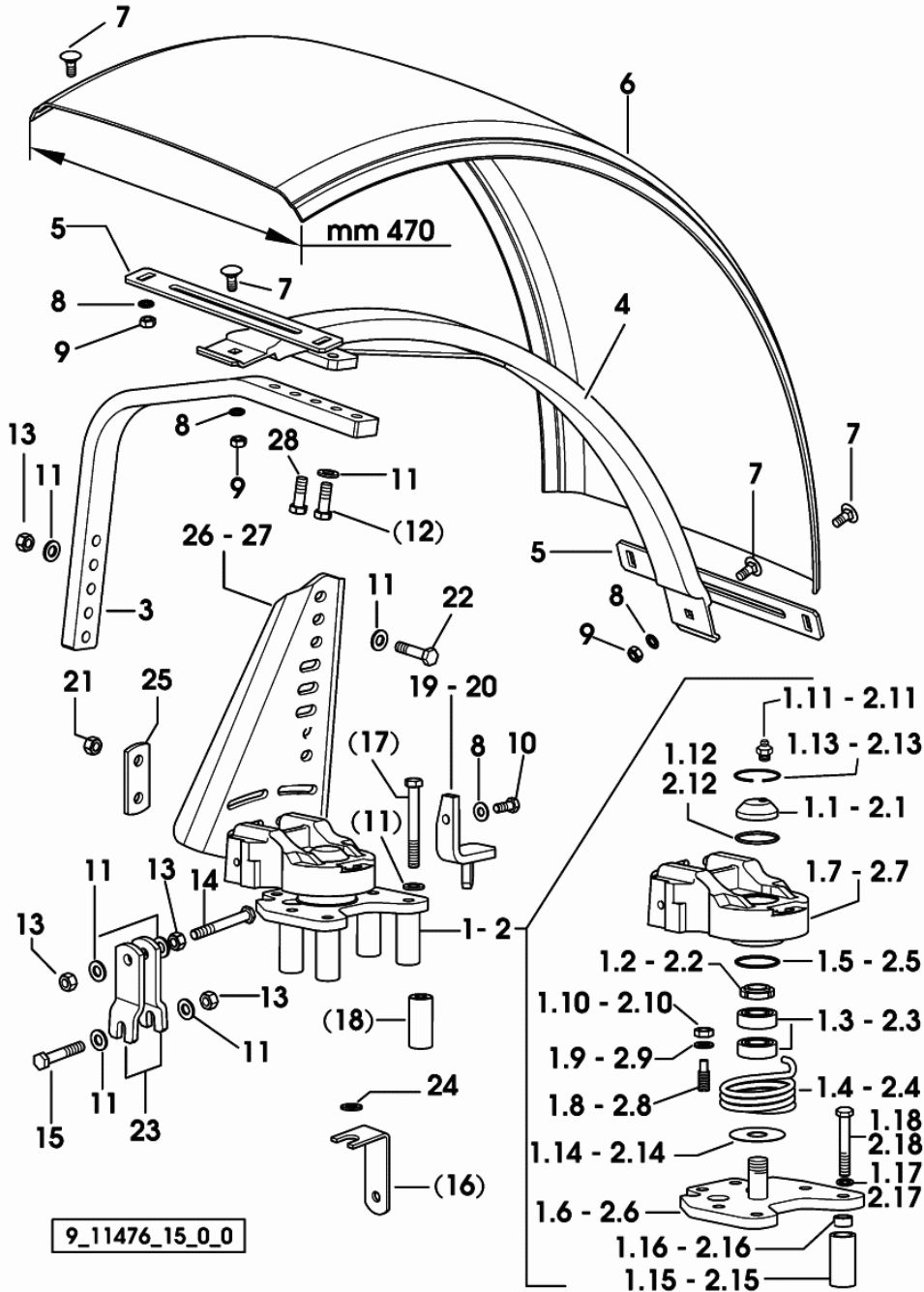


Fig.	Code	QTY	Name
1	0.012.2772.4/20	1	hub dx/rh/re
1.1	0.012.3201.0/10	1	cover
1.2	2.1220.006.2	1	ring nut m 25 x 1,5
1.3	2.2999.446.0	1	bearing
1.4	2.4099.142.2	1	spring dx/rh/re
1.5	2.1530.140.0	1	rubber ring 56.82x2.62
1.6	0.000.0000.1	0	not serviceable
1.7	0.000.0000.1	0	not serviceable
1.8	2.0599.113.2	1	grain m 14 p.1.5
1.9	2.1475.005.2	1	washer 14
1.10	2.1011.508.2	1	nut m 14 p.1.5
1.11	2.3820.101.2	1	lubricator m 6 p.1 x 5
1.12	2.1530.137.0	1	circlip 55.25x2.62
1.13	2.1429.066.2	1	ring
1.14	2.1589.486.2	1	ring
1.15	2.1549.556.2	4	spacer 19x27x70
1.16	0.013.1841.0	4	spacer 8x22x10
1.17	2.1475.004.2	4	washer 12
1.18	2.0112.429.2	4	screw m 12 p.1.75x100
2	0.012.2773.4/20	1	hub sx/lh/li
2.1	0.012.3201.0/10	1	cover
2.2	2.1220.006.2	1	ring nut m 25 x 1,5
2.3	2.2999.446.0	2	bearing
2.4	2.4099.143.2	1	spring sx/lh/li
2.5	2.1530.140.0	1	rubber ring 56.82x2.62
2.6	0.000.0000.1	0	not serviceable
2.7	0.000.0000.1	0	not serviceable
2.8	2.0599.113.2	1	grain m 14 p.1.5
2.9	2.1475.005.2	1	washer 14
2.10	2.1011.508.2	1	nut m 14 p.1.5
2.11	2.3820.101.2	1	lubricator m 6 p.1 x 5
2.12	2.1530.137.0	1	circlip 55.25x2.62
2.13	2.1429.066.2	1	ring
2.14	2.1589.486.2	1	ring
2.15	2.1549.556.2	4	spacer 19x27x70
2.16	0.013.1841.0	4	spacer 8x22x10
2.17	2.1475.004.2	4	washer 12
2.18	2.0112.429.2	4	screw m 12 p.1.75x100
3	0.012.3198.0/10	2	arm
4	0.012.2774.3/10	2	support
5	0.012.3223.0	4	plate
6	0.010.1729.0	2	fender mm 470
7	2.0020.306.2	12	screw m 10 x 25
8	2.1475.003.2	14	washer 10

Section: BODY WORK  
**SELF-ADJUSTING FRONT FENDERS - MM 470**

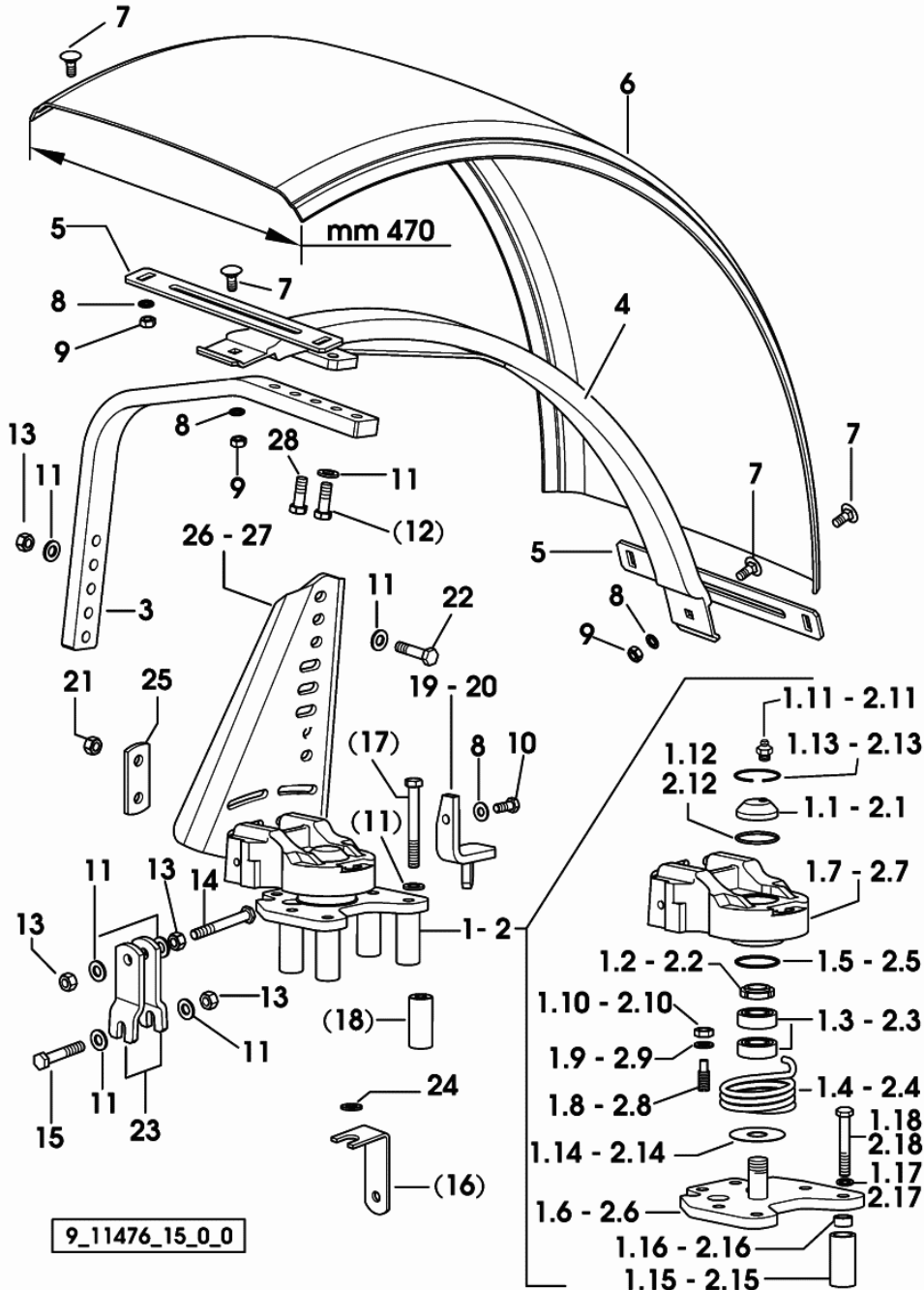


Fig.	Code	QTY	Name
9	2.1011.106.2	12	nut m 10 p.1.5
10	2.0112.309.2	2	screw m 10 p.1.5 x 25
11	2.1475.004.2	28	washer 12
12	2.0112.415.2	4	screw m 12 p.1.75 x 40 3541 <- X SILVER 160
13	2.1011.107.2	10	nut m 12 p.1.75
14	2.0399.281.2	2	screw m 12 p.1.75x100
15	2.0112.422.2	2	screw m 12 p.1.75 x 65
16	0.012.3919.0	2	bracket 3541 <- X SILVER 160
17	2.0112.429.2	8	screw m 12 p.1.75x100 3541 <- X SILVER 160
18	2.1549.523.2	8	spacer 28x13x16 3541 <- X SILVER 160
19	0.012.3221.2	1	bracket dx/rh/re
20	0.012.3218.2	1	bracket sx/lh/li
21	2.1120.006.2	4	nut m 10 p.1.5
22	2.0112.419.2	4	screw m 12 p.1.75 x 50 3541 <- X SILVER 160
22	2.0112.420.2	4	screw m 12 p.1.75x55 -> 3542 X SILVER 160
23	0.012.3220.0	4	bracket
24	2.1310.007.2	2	flat washer 13.5
25	0.012.3200.0	4	plate
26	0.012.3192.0/10	1	support dx/rh/re
27	0.012.3193.0/10	1	support sx/lh/li
28	2.0112.415.2	4	screw m 12 p.1.75 x 40 -> 3551 X SILVER 160

**SELF-ADJUSTING FRONT FENDERS - MM 520**

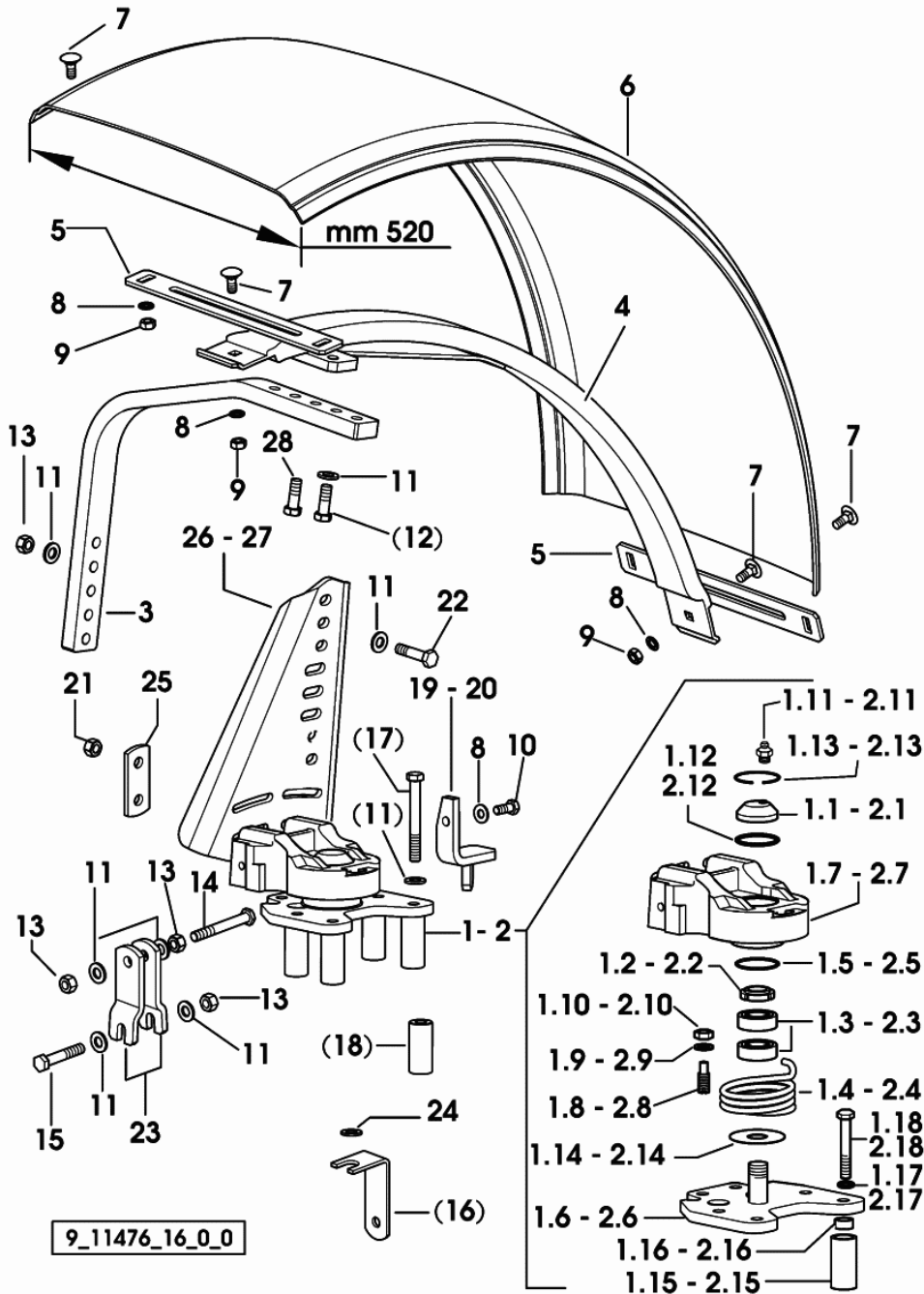


Fig.	Code	QTY	Name
1	0.012.2772.4/20	1	hub dx/rh/re
1.1	0.012.3201.0/10	1	cover
1.2	2.1220.006.2	1	ring nut m 25 x 1,5
1.3	2.2999.446.0	1	bearing
1.4	2.4099.142.2	1	spring dx/rh/re
1.5	2.1530.140.0	1	rubber ring 56.82x2.62
1.6	0.000.0000.1	0	not serviceable
1.7	0.000.0000.1	0	not serviceable
1.8	2.0599.113.2	1	grain m 14 p.1.5
1.9	2.1475.005.2	1	washer 14
1.10	2.1011.508.2	1	nut m 14 p.1.5
1.11	2.3820.101.2	1	lubricator m 6 p.1 x 5
1.12	2.1530.137.0	1	circlip 55.25x2.62
1.13	2.1429.066.2	1	ring
1.14	2.1589.486.2	1	ring
1.15	2.1549.556.2	4	spacer 19x27x70
1.16	0.013.1841.0	4	spacer 8x22x10
1.17	2.1475.004.2	4	washer 12
1.18	2.0112.429.2	4	screw m 12 p.1.75x100
2	0.012.2773.4/20	1	hub sx/lh/li
2.1	0.012.3201.0/10	1	cover
2.2	2.1220.006.2	1	ring nut m 25 x 1,5
2.3	2.2999.446.0	2	bearing
2.4	2.4099.143.2	1	spring sx/lh/li
2.5	2.1530.140.0	1	rubber ring 56.82x2.62
2.6	0.000.0000.1	0	not serviceable
2.7	0.000.0000.1	0	not serviceable
2.8	2.0599.113.2	1	grain m 14 p.1.5
2.9	2.1475.005.2	1	washer 14
2.10	2.1011.508.2	1	nut m 14 p.1.5
2.11	2.3820.101.2	1	lubricator m 6 p.1 x 5
2.12	2.1530.137.0	1	circlip 55.25x2.62
2.13	2.1429.066.2	1	ring
2.14	2.1589.486.2	1	ring
2.15	2.1549.556.2	4	spacer 19x27x70
2.16	0.013.1841.0	4	spacer 8x22x10
2.17	2.1475.004.2	4	washer 12
2.18	2.0112.429.2	4	screw m 12 p.1.75x100
3	0.012.3198.0/10	2	arm
4	0.012.2774.3/10	2	support
5	0.012.3223.0	4	plate
6	0.011.0966.0	2	fender mm 520
7	2.0020.306.2	12	screw m 10 x 25
8	2.1475.003.2	14	washer 10

Section: BODY WORK  
**SELF-ADJUSTING FRONT FENDERS - MM 520**

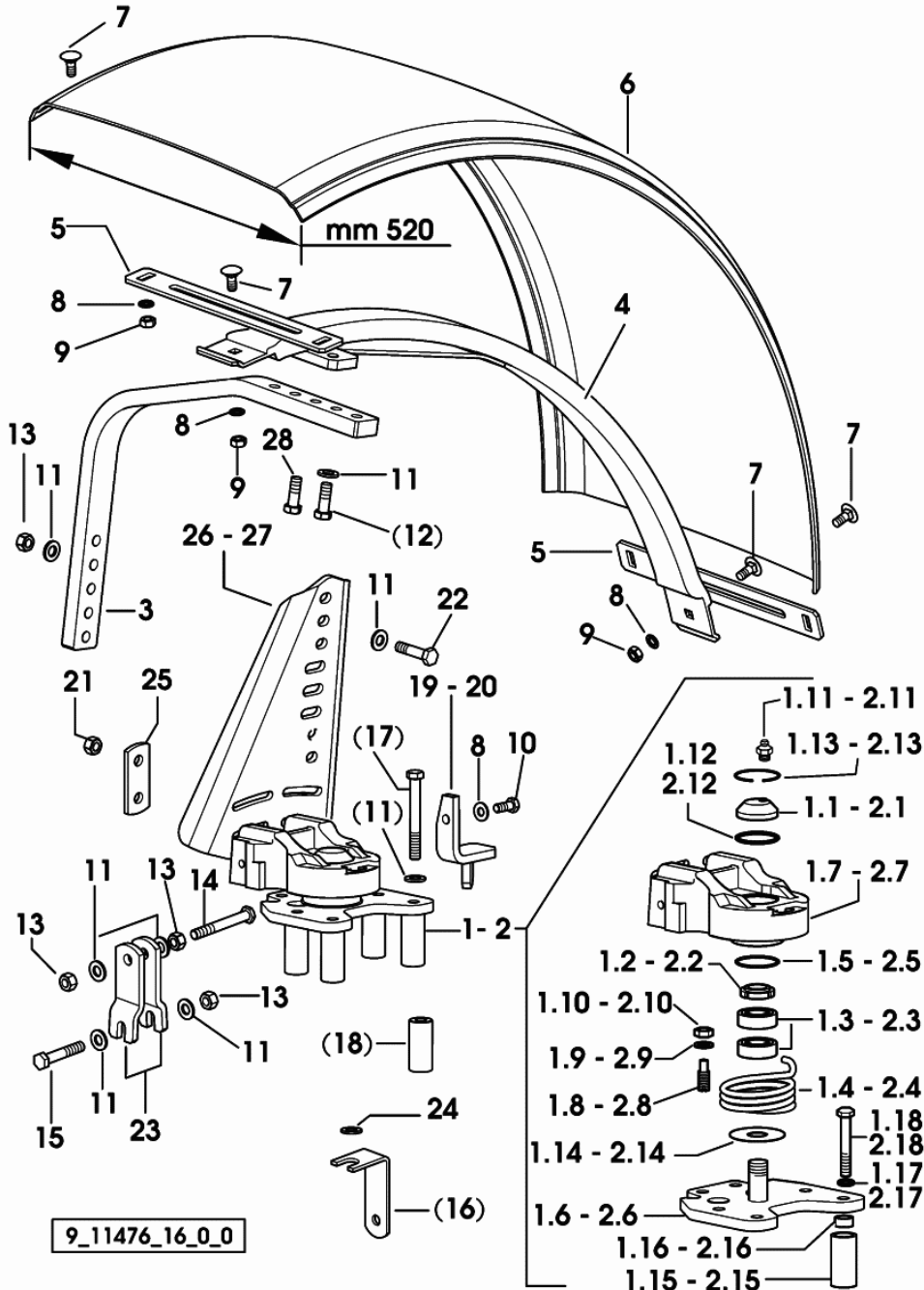
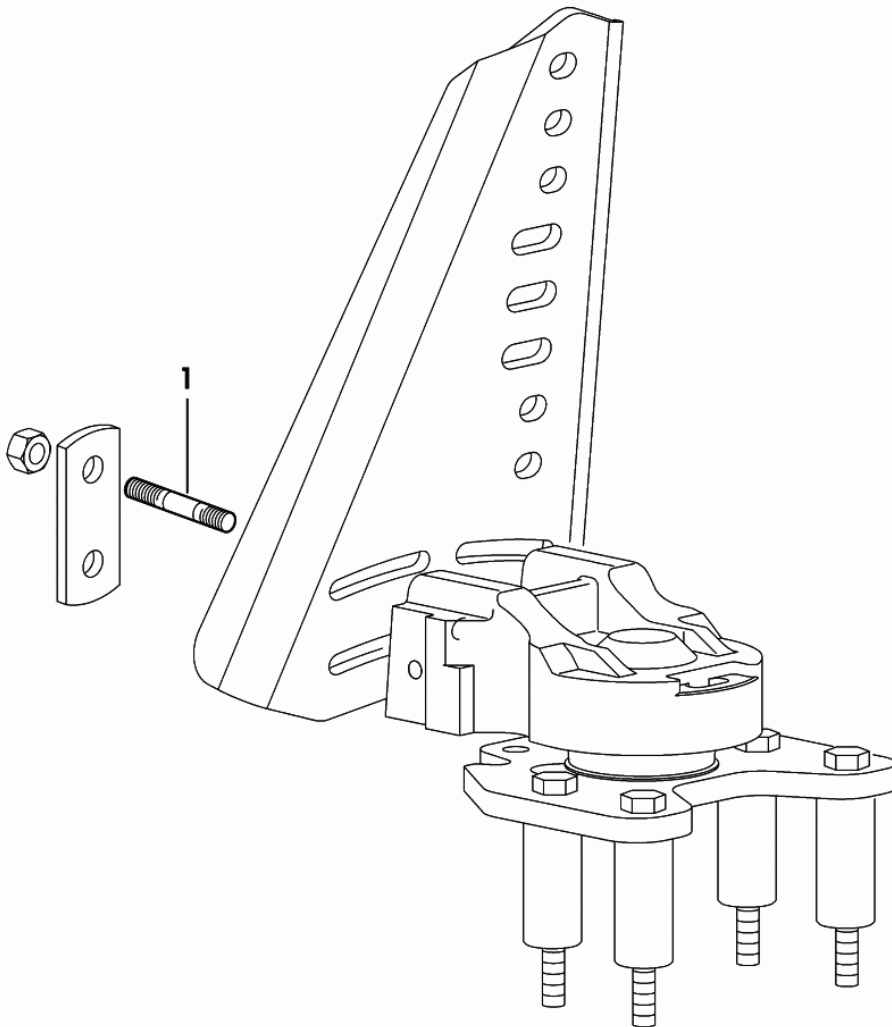


Fig.	Code	QTY	Name
9	2.1011.106.2	12	nut m 10 p.1.5
10	2.0112.309.2	2	screw m 10 p.1.5 x 25
11	2.1475.004.2	28	washer 12
12	2.0112.415.2	4	screw m 12 p.1.75 x 40 3541 <- X SILVER 160
13	2.1011.107.2	10	nut m 12 p.1.75
14	2.0399.281.2	2	screw m 12 p.1.75x100
15	2.0112.422.2	2	screw m 12 p.1.75 x 65
16	0.012.3919.0	2	bracket 3541 <- X SILVER 160
17	2.0112.429.2	8	screw m 12 p.1.75x100 3541 <- X SILVER 160
18	2.1549.523.2	8	spacer 28x13x16 3541 <- X SILVER 160
19	0.012.3221.2	1	bracket dx/rh/re
20	0.012.3218.2	1	bracket sx/lh/li
21	2.1120.006.2	4	nut m 10 p.1.5
22	2.0112.419.2	4	screw m 12 p.1.75 x 50 3541 <- X SILVER 160
22	2.0112.420.2	4	screw m 12 p.1.75x55 -> 3542 X SILVER 160
23	0.012.3220.0	4	bracket
24	2.1310.007.2	2	flat washer 13.5
25	0.012.3200.0	4	plate
26	0.012.3192.0/10	1	support dx/rh/re
27	0.012.3193.0/10	1	support sx/lh/li
28	2.0112.415.2	4	screw m 12 p.1.75 x 40 -> 3551 X SILVER 160

**SELF-ADJUSTING FRONT FENDERS - MOUNTINGS**

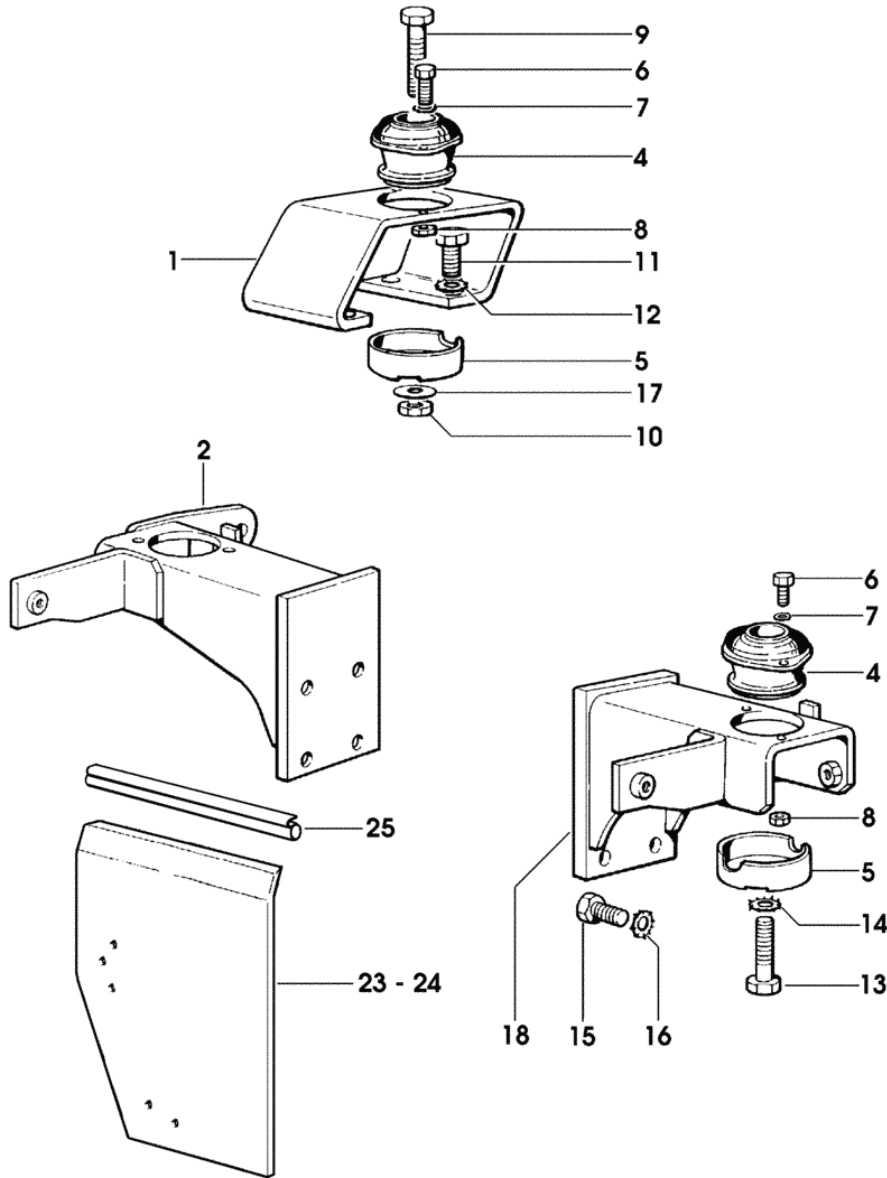
Fig.	Code	QTY	Name
1	2.0422.309.2	8	stud bolt m 10 x 35



9\_11476\_18\_0\_0

**SUPPORTS**

Fig.	Code	QTY	Name
1	0.264.7637.0/10	2	support
2	0.009.1107.2/20	1	support dx/rh/re
4	0.007.5246.0	4	silent-block
5	0.007.5256.0	4	cap-washer
6	2.0112.309.2	8	screw m 10 p.1.5 x 25
7	2.1470.006.2	8	lock washer 10
8	2.1011.106.2	8	nut m 10 p.1.5
9	2.0112.629.2	2	screw m 16 p.2x100
10	2.1120.009.2	2	selflock nut m 16 p.2
11	2.0112.613.2	8	screw m 16 p.2x35
12	2.1470.009.2	8	lock washer 16
13	2.0122.623.2	2	screw m 16 p.1.5x70
14	2.1470.009.2	2	lock washer 16
15	2.0112.515.2	8	screw m 14 p.2 x 40
16	2.1470.008.2	8	lock washer 14
17	2.1312.007.2	2	washer 16x42
18	0.009.1108.2/10	1	support sx/lh/li
23	0.009.0686.0/30	1	guard sx/lh/li
24	0.009.0687.0/30	1	guard dx/rh/re
25	0.009.0688.0	2	gasket



9\_49276\_00\_0\_0



**LADDER**

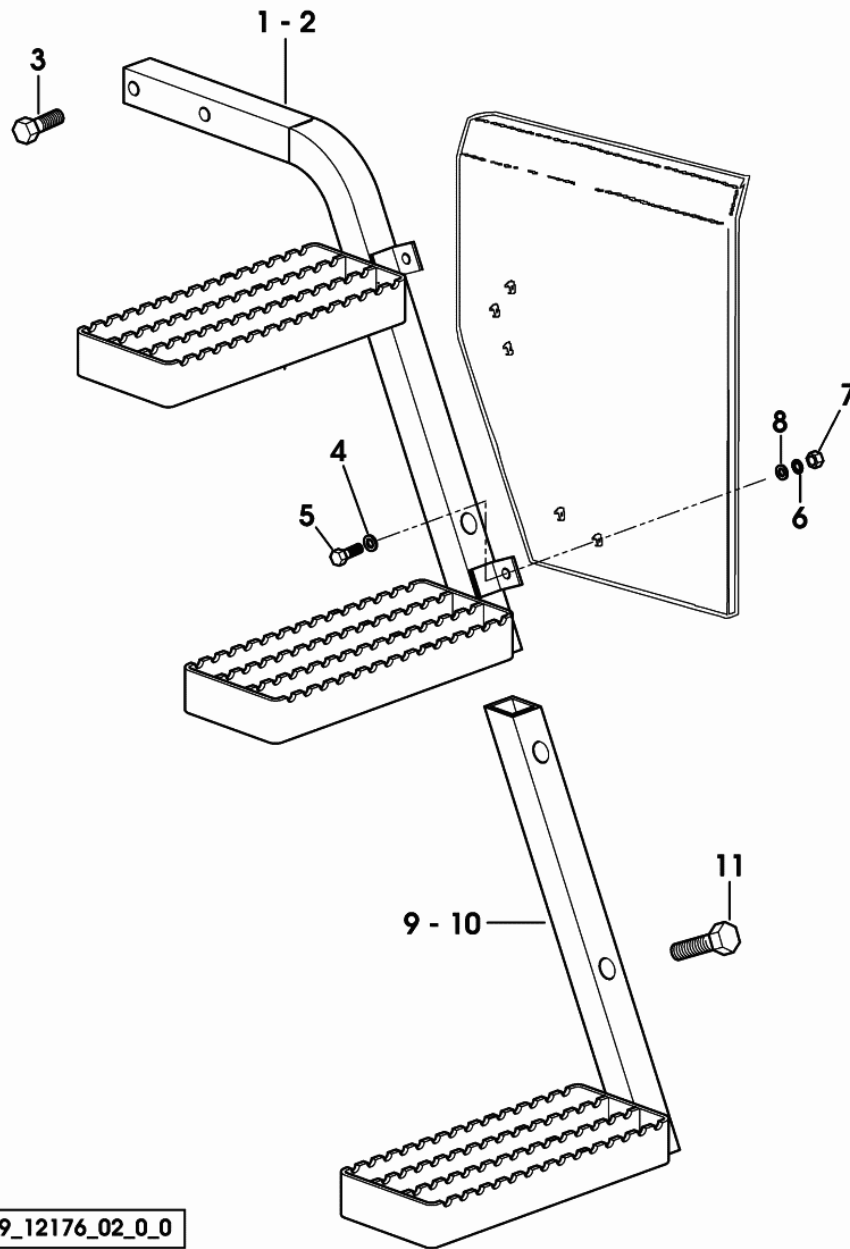


Fig.	Code	QTY	Name
1	0.009.3611.2	1	climbing steps sx/lh/li
2	0.009.3613.2	1	climbing steps dx/rh/re
3	2.0119.163.3	4	screw m 12 x 70
4	2.1310.004.3	4	washer 8.4x17
5	2.0119.164.3	4	screw m 8 p.1.25 x 20
6	2.1470.004.2	4	washer 8
7	2.1011.105.2	4	nut m 8 p.1.25
8	2.1312.004.3	4	washer 8,4x24x2
9	0.011.0828.2	1	climbing steps sx/lh/li
10	0.011.0831.2	1	climbing steps dx/rh/re
11	2.0119.190.2	2	screw m 16 p.2 x 60

9\_12176\_02\_0\_0

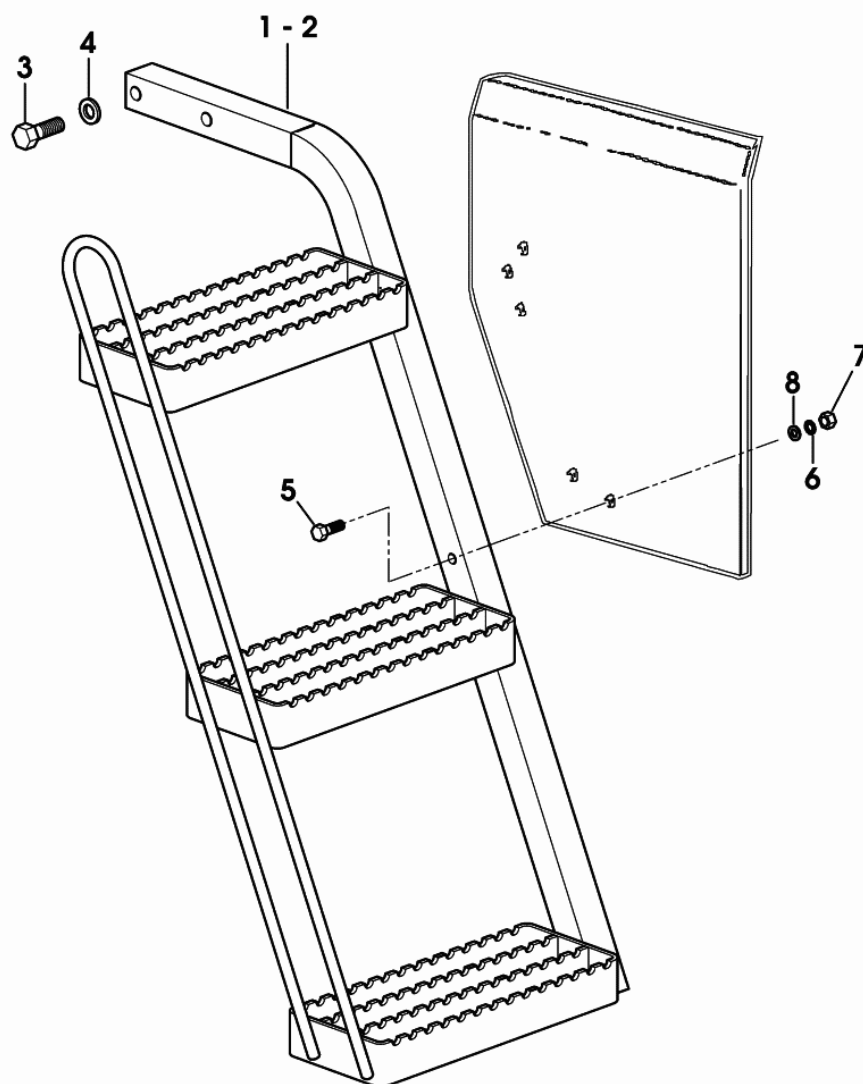
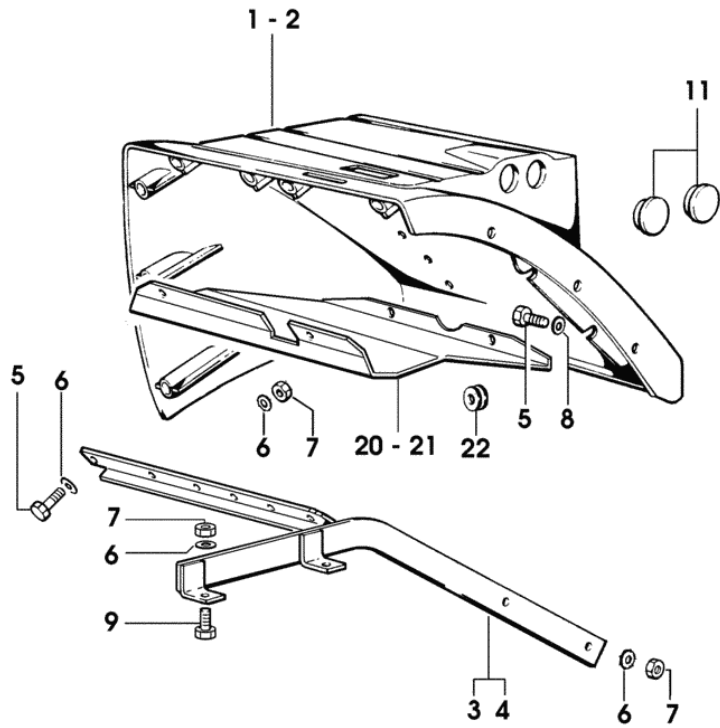
Section: BODY WORK  
LADDER EXPORT D

Fig.	Code	QTY	Name
1	0.009.3626.2	1	climbing steps sx/lh/li
2	0.009.3627.2	1	climbing steps dx/rh/re
3	2.0119.163.3	3	screw m 12 x 70
4	2.1310.007.3	4	flat washer 13 x 24
5	2.0129.056.3	4	screw m 8 p.1x55
6	2.1470.004.2	4	washer 8
7	2.1011.105.2	4	nut m 8 p.1.25
8	2.1312.004.3	4	washer 8,4x24x2

9\_49276\_03\_0\_0

**FENDERS**

Fig.	Code	QTY	Name
1	0.009.0491.3/30	1	splash-guards sx/lh/li
2	0.009.0492.3/30	1	splash-guards dx/rh/re
3	0.009.0504.3/20	1	support sx/lh/li
4	0.009.0506.3/20	1	support dx/rh/re
5	2.0112.209.2	18	screw m 8 p 1.25 x 25
6	2.1470.004.2	26	washer 8
7	2.1011.105.2	16	nut m 8 p.1.25
8	2.1399.001.3	4	washer 8.4x17
9	2.0112.205.2	4	screw m 8 p.1.25 x 16
11	0.009.0210.0/10	4	plug 30 x 38 x 9.0
20	0.007.6101.0	1	splash-guards dx/rh/re
21	0.007.6102.0	1	splash-guards sx/lh/li
22	2.6560.002.0	4	wire guide 8x1.5

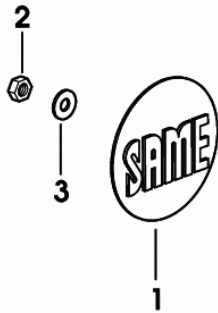


9\_52676\_01\_0\_0

Section: BODY WORK

**BADGE FOR SPLASH GUARDS**

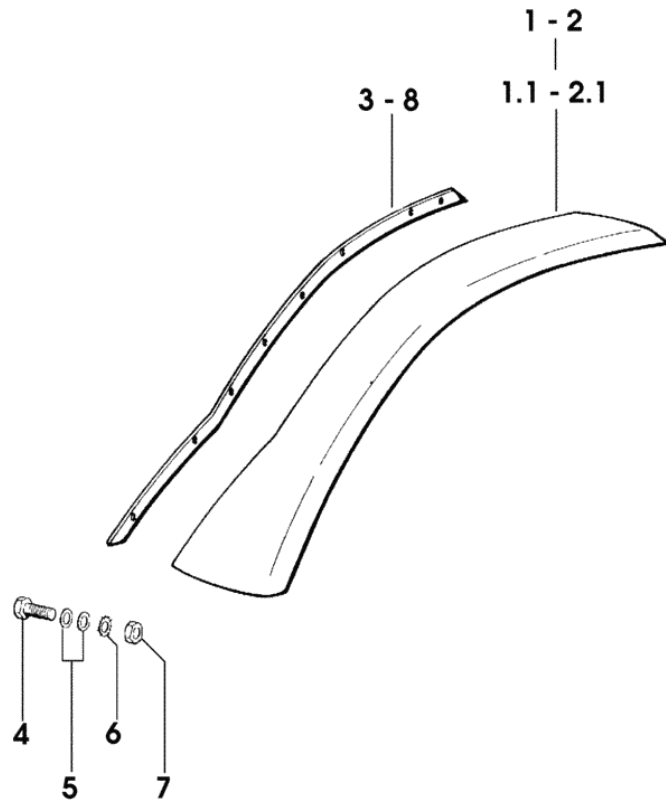
Fig.	Code	QTY	Name
1	2.3199.102.0	2	small cover SAME
2	2.1129.004.0	2	selflock nut m 4 3499 <- X SILVER 160 1499 <- X SILVER 180
2	2.1011.103.2	2	nut m 6 p.1 -> 3500 X SILVER 160 -> 1500 X SILVER 180
3	2.1310.002.2	2	washer 6.6, d125 -> 3500 X SILVER 160 -> 1500 X SILVER 180



9\_B2171\_51\_0\_0

Section: BODY WORK  
**REAR MUDGUARDS**

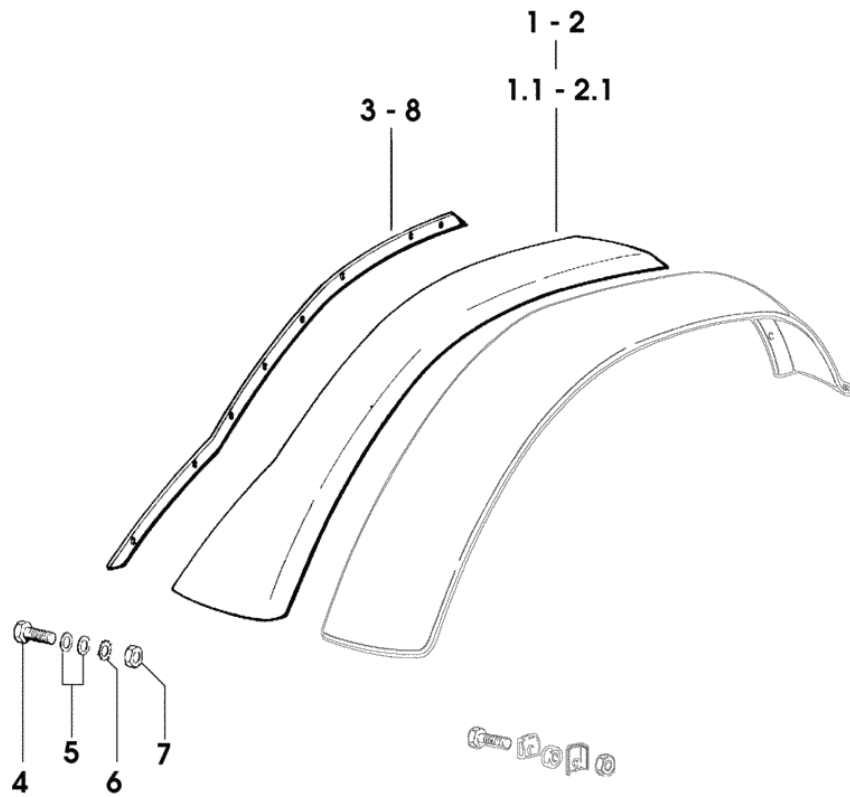
Fig.	Code	QTY	Name
1	0.000.0000.1	0	not serviceable
1.1	0.009.0336.0/10	1	fender dx/rh/re
2	0.000.0000.1	0	not serviceable
2.1	0.009.0337.0/10	1	fender sx/lh/li
3	0.012.6424.0	1	gasket dx/rh/re
4	2.0112.209.2	16	screw m 8 p 1.25 x 25
5	2.1310.004.2	32	flat washer 8.5
6	2.1470.004.2	16	washer 8
7	2.1011.105.2	16	nut m 8 p.1.25
8	0.012.6439.0	1	gasket sx/lh/li



9\_52676\_20\_0\_0

**REAR MUDGUARDS - FOR VERSIONS WITH ENTEN.**

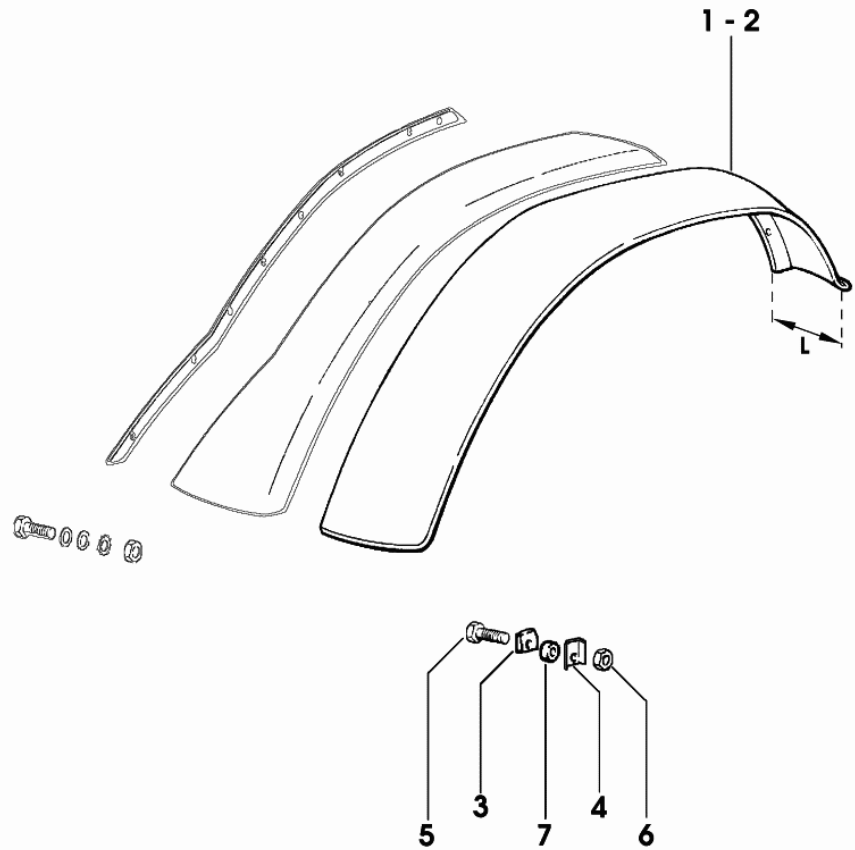
Fig.	Code	QTY	Name
1	0.000.0000.1	0	not serviceable
1.1	0.009.0588.0/10	1	fender dx/rh/re
2	0.000.0000.1	0	not serviceable
2.1	0.009.0587.0/10	1	fender sx/lh/li
3	0.012.6424.0	1	gasket dx/rh/re
4	2.0112.209.2	16	screw m 8 p 1.25 x 25
5	2.1310.004.2	32	flat washer 8.5
6	2.1470.004.2	16	washer 8
7	2.1011.105.2	16	nut m 8 p.1.25
8	0.012.6439.0	1	gasket sx/lh/li



9\_52676\_21\_0\_0

Section: BODY WORK  
**EXTENSION FOR WING L = 220**

Fig.	Code	QTY	Name
1	0.009.0678.0/20	1	extension sx/lh/li
2	0.009.0679.0/20	1	extension dx/rh/re
3	0.009.0676.0	12	small block
4	0.009.0677.0/10	12	brace
5	2.0112.209.2	12	screw m 8 p 1.25 x 25
6	2.1011.105.2	12	nut m 8 p.1.25
7	2.1579.774.2	12	spacer 8.4x12x6.5



9\_52676\_26\_0\_0

Section: BODY WORK

**SPEED LABEL - 40 KM/H - REFLEX ITALY**

Fig.	Code	QTY	Name
1	0.010.9969.0	1	disc 40 KM/H

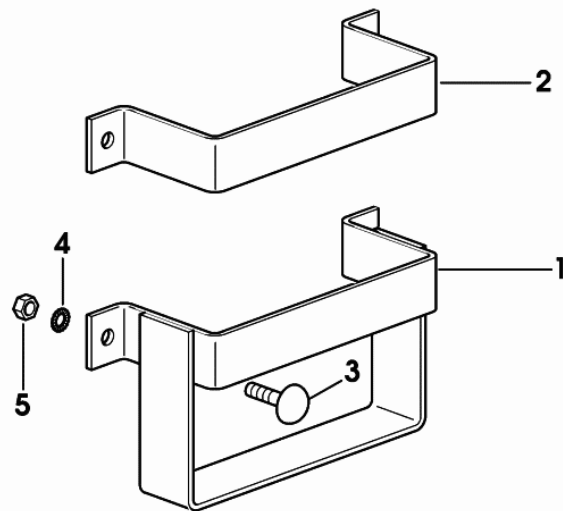


9\_70576\_04\_0\_0



**WARNING TRIANGLE HOLDER**

Fig.	Code	QTY	Name
1	0.146.8581.3	1	support
2	0.154.8562.0	1	u bolt
3	2.0099.014.0/20	4	screw m 6 x 25
4	2.1499.097.3	4	washer 6, d128
5	2.1011.103.2	4	nut m 6 p.1

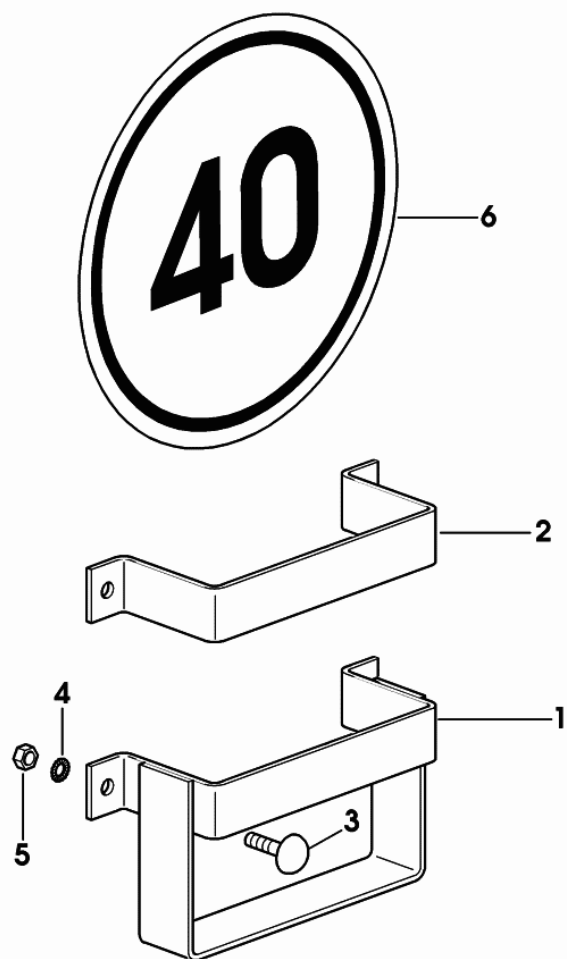


9\_12176\_80\_0\_0

Section: BODY WORK

**WARNING TRIANGLE HOLDER EXPORT D**

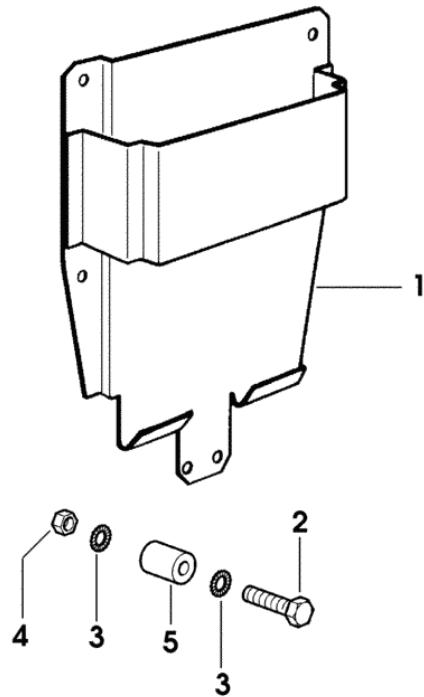
Fig.	Code	QTY	Name
1	0.146.8581.3	1	support
2	0.154.8562.0	1	u bolt
3	2.0099.014.0/20	4	screw m 6 x 25
4	2.1499.097.3	4	washer 6, d128
5	2.1011.103.2	4	nut m 6 p.1
6	0.008.8331.0	1	disc 40 KM/H



9\_52676\_80\_0\_0

**HOLDING DEVICE - WHEEL CHOCK**

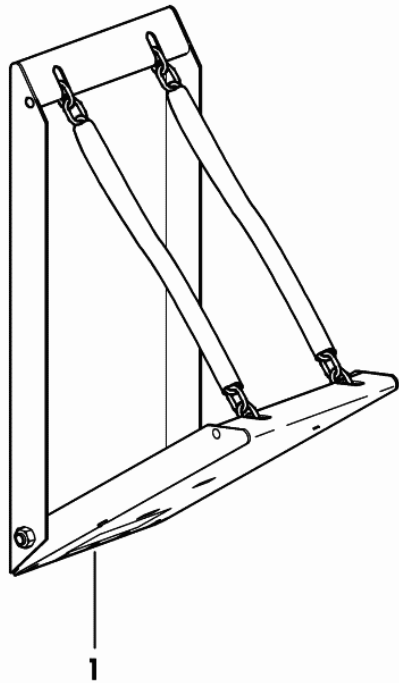
Fig.	Code	QTY	Name
1	0.008.3438.2	2	support
2	2.0112.022.2	5	screw m 6 x 65, d931
3	2.1499.097.3	10	washer 6, d128
4	2.1011.103.2	5	nut m 6 p.1
5	2.1579.916.2	5	spacer



9\_12776\_81\_0\_0

Section: BODY WORK  
**CHOCK EXPORT D**

Fig.	Code	QTY	Name
1	04415868/10	1	stop

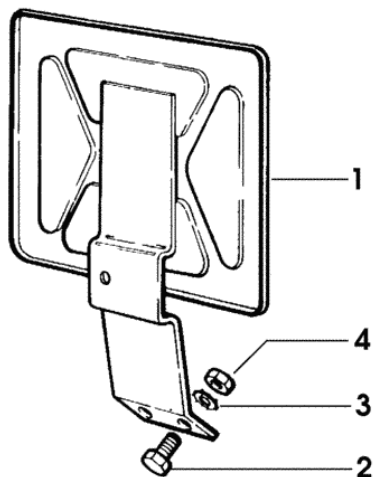


9\_52676\_10\_0\_0

Section: BODY WORK

**LICENCE PLATE HOLDER**

Fig.	Code	QTY	Name
1	0.009.0512.3/10	1	plate holder
2	2.0122.207.2	2	screw m 8 p.1x20
3	2.1470.004.2	2	washer 8
4	2.1011.405.2	2	nut m 8 p.1



9\_52676\_60\_0\_0

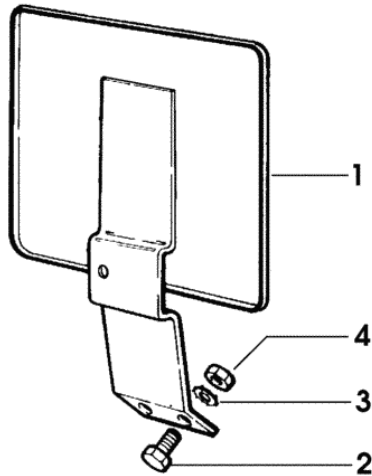
**LICENCE PLATE HOLDER EXPORT F**

Fig.	Code	QTY	Name
------	------	-----	------

**Notes:**

3541 &lt;- X SILVER 160 1545 &lt;- X SILVER 180

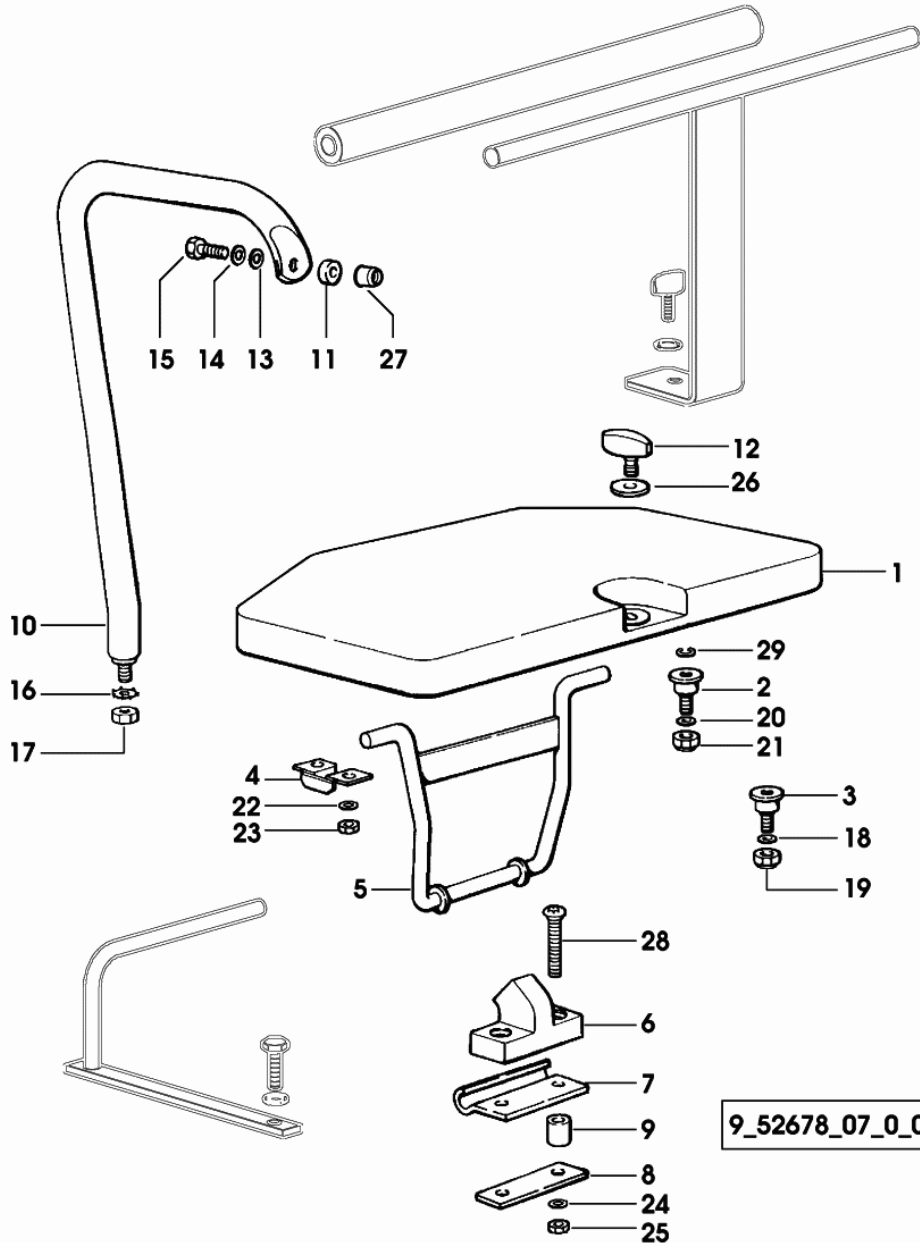
1	0.009.0513.3/10	1	plate holder
2	2.0122.207.2	2	screw m 8 p.1x20
3	2.1470.004.2	2	washer 8
4	2.1011.405.2	2	nut m 8 p.1



9\_52676\_61\_0\_0

Section: BODY WORK  
**SEAT FOR 2ND OPERATOR**

Fig.	Code	QTY	Name
1	0.009.1141.3/20	1	seat
2	2.1559.227.2	1	bushing
3	0.009.1132.0	1	bushing
4	0.009.1128.2	2	hinge
5	0.009.1133.2	1	top link
6	0.009.1136.0/10	1	small block
7	0.009.1126.0/10	1	stop
8	0.009.1127.0	1	metal strap
9	2.1579.993.2	2	spacer 8x14x14
10	0.009.0765.2	1	backrest
11	2.1579.997.2	1	spacer 6.5x14x7.5
12	0.009.1158.0	1	knob
13	2.1399.003.3	1	washer 6.4 x 12.5
14	2.1499.097.3	1	washer 6, d128
15	2.0119.162.3	1	screw m 6 x 30
16	2.1470.004.2	1	washer 8
17	2.1011.105.2	1	nut m 8 p.1.25
18	2.1310.002.2	1	washer 6.6, d125
19	2.1120.003.2	1	nut m 6
20	2.1310.002.2	1	washer 6.6, d125
21	2.1120.003.2	1	nut m 6
22	2.1310.002.2	4	washer 6.6, d125
23	2.1011.103.2	4	nut m 6 p.1
24	2.1470.004.2	2	washer 8
25	2.1011.105.2	2	nut m 8 p.1.25
26	2.1312.004.3	1	washer 8,4x24x2
27	2.1142.004.2	1	insert m 6
28	2.0322.513.3	2	screw m 8 p.1.25 x 50
29	2.1420.002.0	1	circlip a 8



Section: BODY WORK  
**SEAT FOR 2ND OPERATOR**

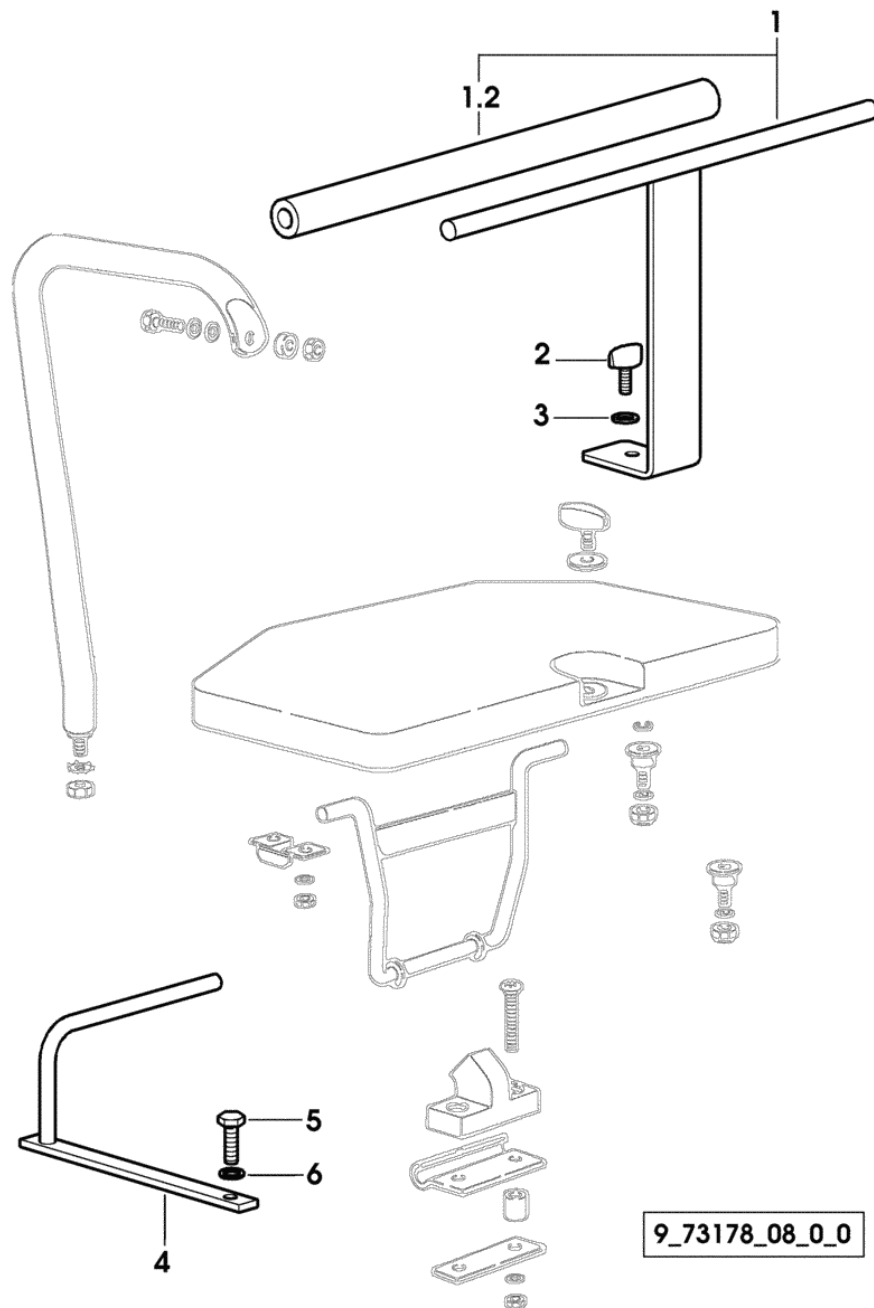


Fig.	Code	QTY	Name
1	0.011.5415.4	1	backrest
1.2	0.011.5409.0	1	guard
2	0.011.5410.0/10	1	screw
3	2.1312.004.3	1	washer 8,4x24x2
4	0.011.5402.2	1	support
5	2.0112.210.2	1	screw m 8 p.1.25 x 28
6	2.1312.004.3	1	washer 8,4x24x2



Section: BODY WORK  
**FUEL SYSTEM - FIXED TANK**

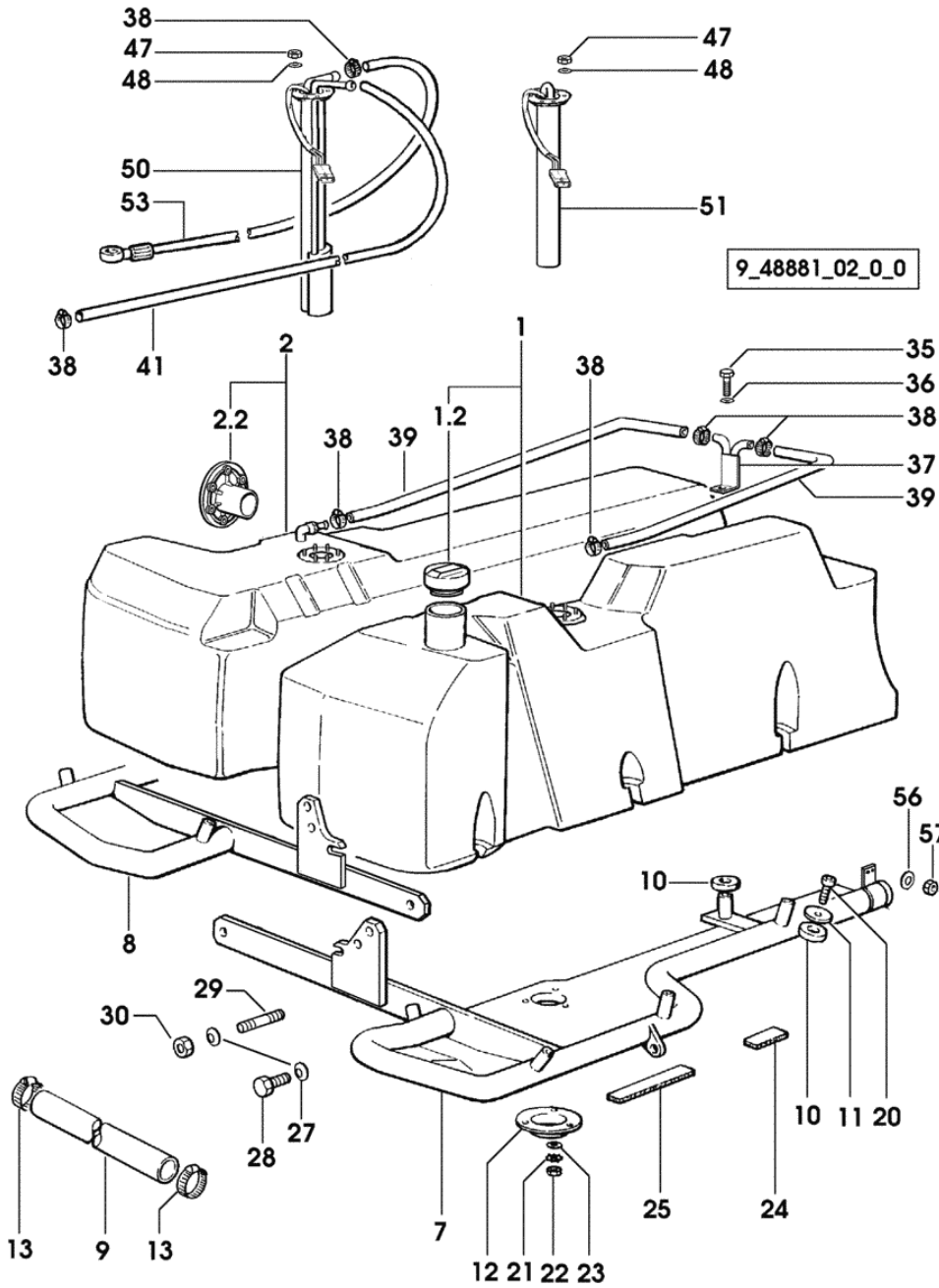


Fig.	Code	QTY	Name
1	0.009.3136.4/80	1	tank sx/lh/li
1.2	0.012.5978.4	1	plug
2	0.009.3134.4/60	1	tank dx/rh/re
2.2	0.009.2799.4/30	1	valve
7	0.007.7120.3/20	1	support sx/lh/li
8	0.007.7112.3/20	1	support dx/rh/re
9	0.009.2803.0	1	tube
10	2.1569.161.0	29	gasket 20x50x6
11	2.1599.354.2	10	washer 12.5x50x3
12	0.008.9213.0	2	complete cover
13	2.6850.011.0	2	clamp 50-70
20	2.0312.406.2	10	screw m 12 p.1.75 x 20
21	2.1470.002.2	6	washer 6, d128
22	2.1011.103.2	6	nut m 6 p.1
23	2.1310.002.2	6	washer 6.6, d125
24	0.009.3110.0	10	shim
25	0.009.3109.0	6	shim
27	2.1475.006.6	6	washer 16x32
28	2.0112.615.2	5	screw m 16 p.2 x 40
29	2.0422.609.2	1	stud bolt m 16 p.2x35
30	2.1011.109.2	1	nut m 16 p.2
35	2.0112.204.2	1	screw m 8 p.1.25x14
36	2.1470.004.2	1	washer 8
37	0.009.2868.2	1	tube
38	2.6850.002.0	7	clamp 12-22
39	0.012.6449.0	0	tube
41	0.012.6451.0	0	tube Ø mm 8/15
47	2.1011.101.2	12	nut m 4 p.0.7
48	2.1470.052.2	12	lock washer 4
50	2.7059.840.0/10	1	level indicator
51	2.7059.850.0/10	1	level indicator
53	0.007.6792.3	1	tube mm 1100
56	2.1310.009.2	2	flat washer 14
57	2.1011.308.2	2	nut m 14 p.1.5

Section: BODY WORK  
**FUEL SYSTEM - MOVABLE TANK**

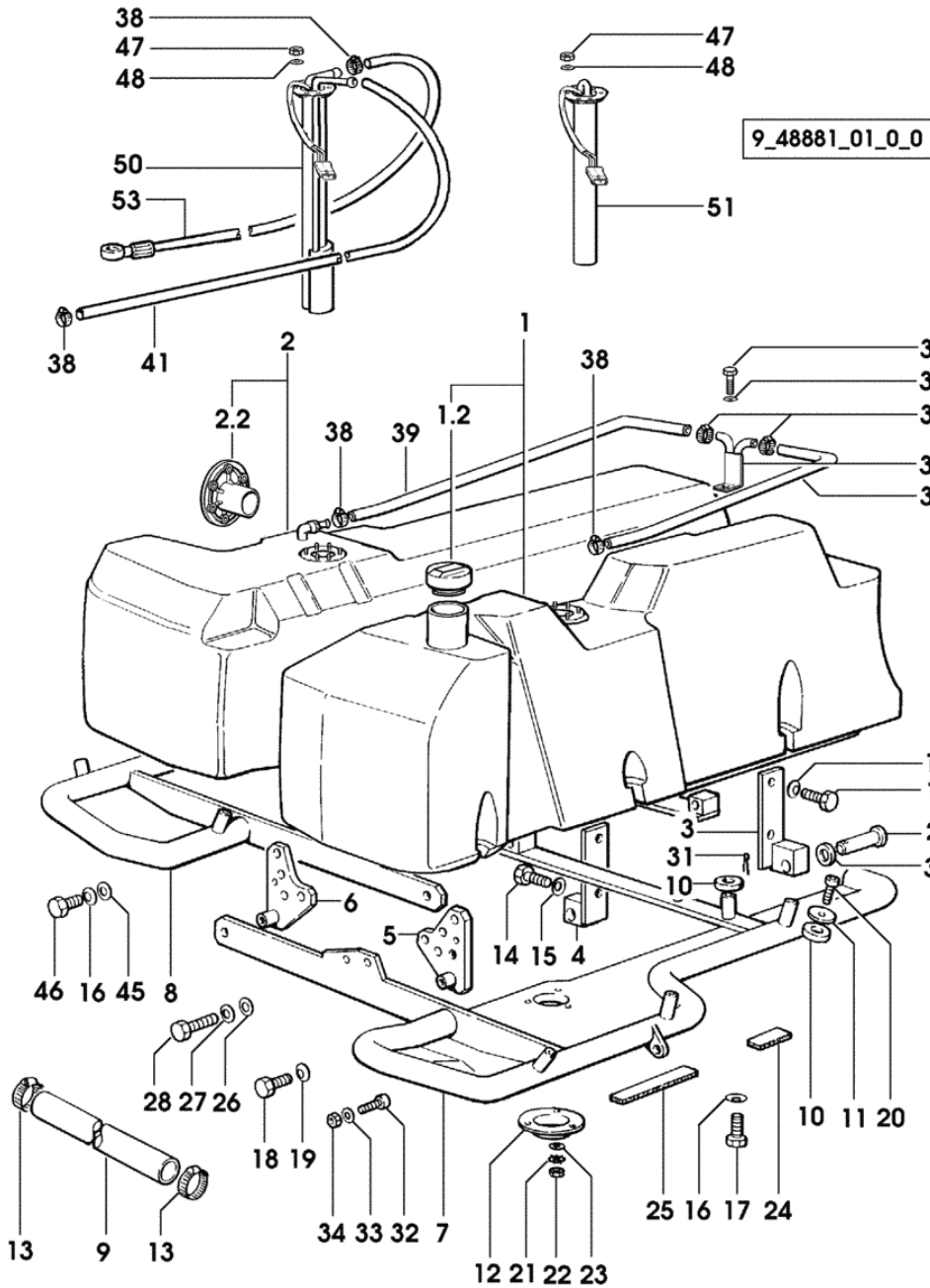


Fig.	Code	QTY	Name
1	0.009.3136.4/80	1	tank sx/lh/li
1.2	0.012.5978.4	1	plug
2	0.009.3134.4/60	1	tank dx/rh/re
2.2	0.009.2799.4/30	1	valve
3	0.009.3167.3	1	support sx/lh/li
4	0.009.3166.3	1	support sx/lh/li
5	0.009.3172.3	1	support sx/lh/li
6	0.009.3171.3	1	support dx/rh/re
7	0.009.3062.3/30	1	support sx/lh/li
8	0.009.3061.3/30	1	support dx/rh/re
9	0.009.2803.0	1	tube
10	2.1569.161.0	23	gasket 20x50x6
11	2.1599.354.2	10	washer 12.5x50x3
12	0.008.9213.0	2	complete cover
13	2.6850.011.0	2	clamp 50-70
14	2.0112.615.2	4	screw m 16 p.2 x 40
15	2.1475.006.6	4	washer 16x32
16	2.1475.006.6	4	washer 16x32
17	2.0112.617.2	2	screw m 16 p.2x45
18	2.0112.617.2	6	screw m 16 p.2x45
19	2.1475.006.6	6	washer 16x32
20	2.0312.406.2	10	screw m 12 p.1.75 x 20
21	2.1470.002.2	6	washer 6, d128
22	2.1011.103.2	6	nut m 6 p.1
23	2.1310.002.2	6	washer 6.6, d125
24	0.009.3110.0	10	shim
25	0.009.3109.0	6	shim
26	2.1310.013.2	2	flat washer 21x37
27	2.1475.008.7	2	washer 21.4x38
28	2.0112.815.2	2	screw m 20 p.2.5x40
29	2.1679.083.2/20	2	pin
30	2.1579.326.0	2	spacer 21x30x5
31	2.1690.512.2	2	split pin 5 x 30
32	2.0312.310.2	2	screw m 10 p.1.5 x 30
33	2.1470.006.2	2	lock washer 10
34	2.1011.106.2	2	nut m 10 p.1.5
35	2.0112.204.2	1	screw m 8 p.1.25x14
36	2.1470.004.2	1	washer 8
37	0.009.2868.2	1	tube
38	2.6850.002.0	7	clamp 12-22
39	0.012.6449.0	0	tube
41	0.012.6451.0	0	tube Ø mm 8/15
45	2.1310.010.6	2	washer 17x30
46	2.0112.611.2	2	screw m 16 p.2x30

Section: BODY WORK  
**FUEL SYSTEM - MOVABLE TANK**

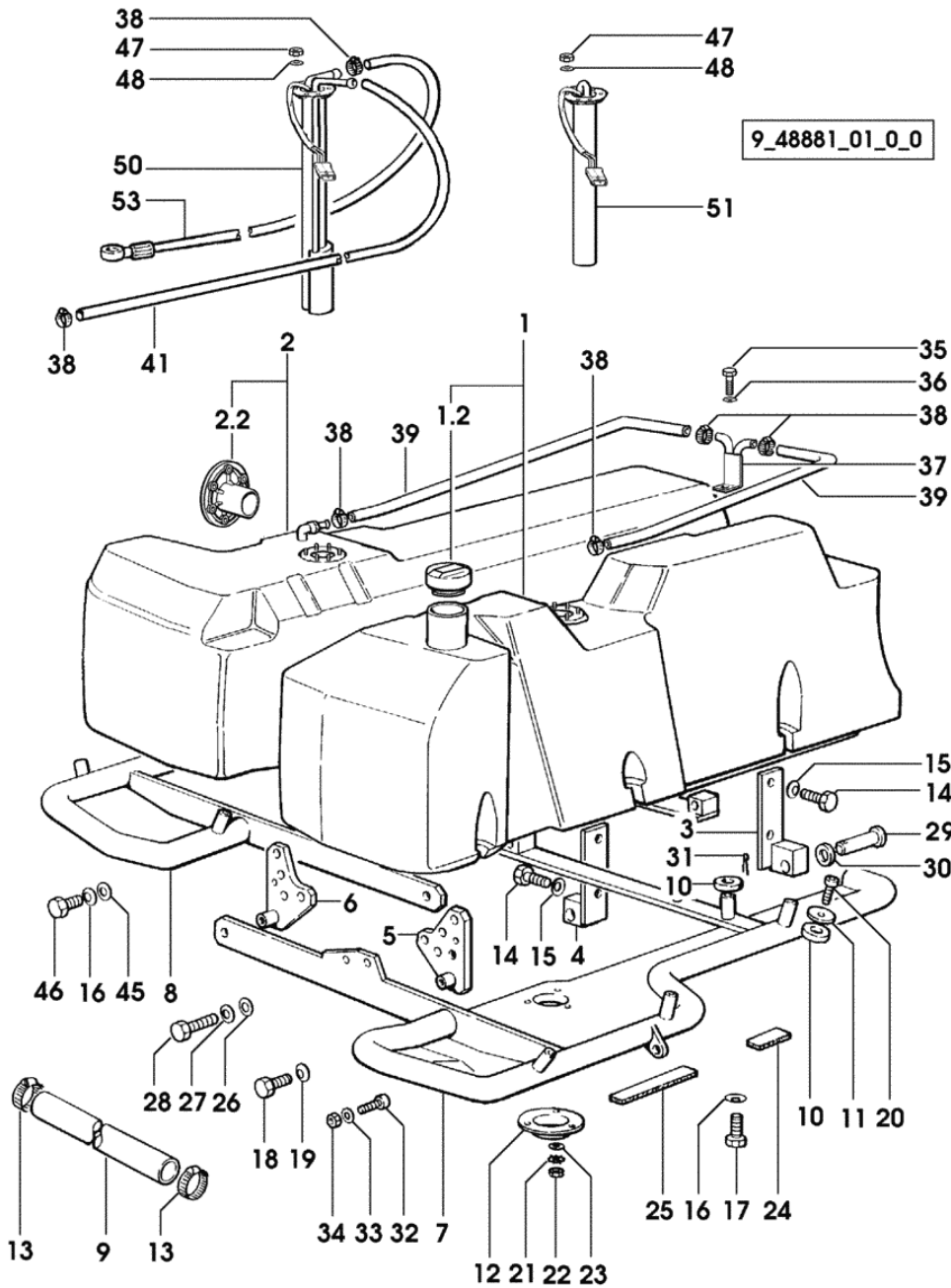


Fig.	Code	QTY	Name
47	2.1011.101.2	12	nut m 4 p.0.7
48	2.1470.052.2	12	lock washer 4
50	2.7059.840.0/10	1	level indicator
51	2.7059.850.0/10	1	level indicator tube
53	0.007.6792.3	1	mm 1100

**AIR FILTER**

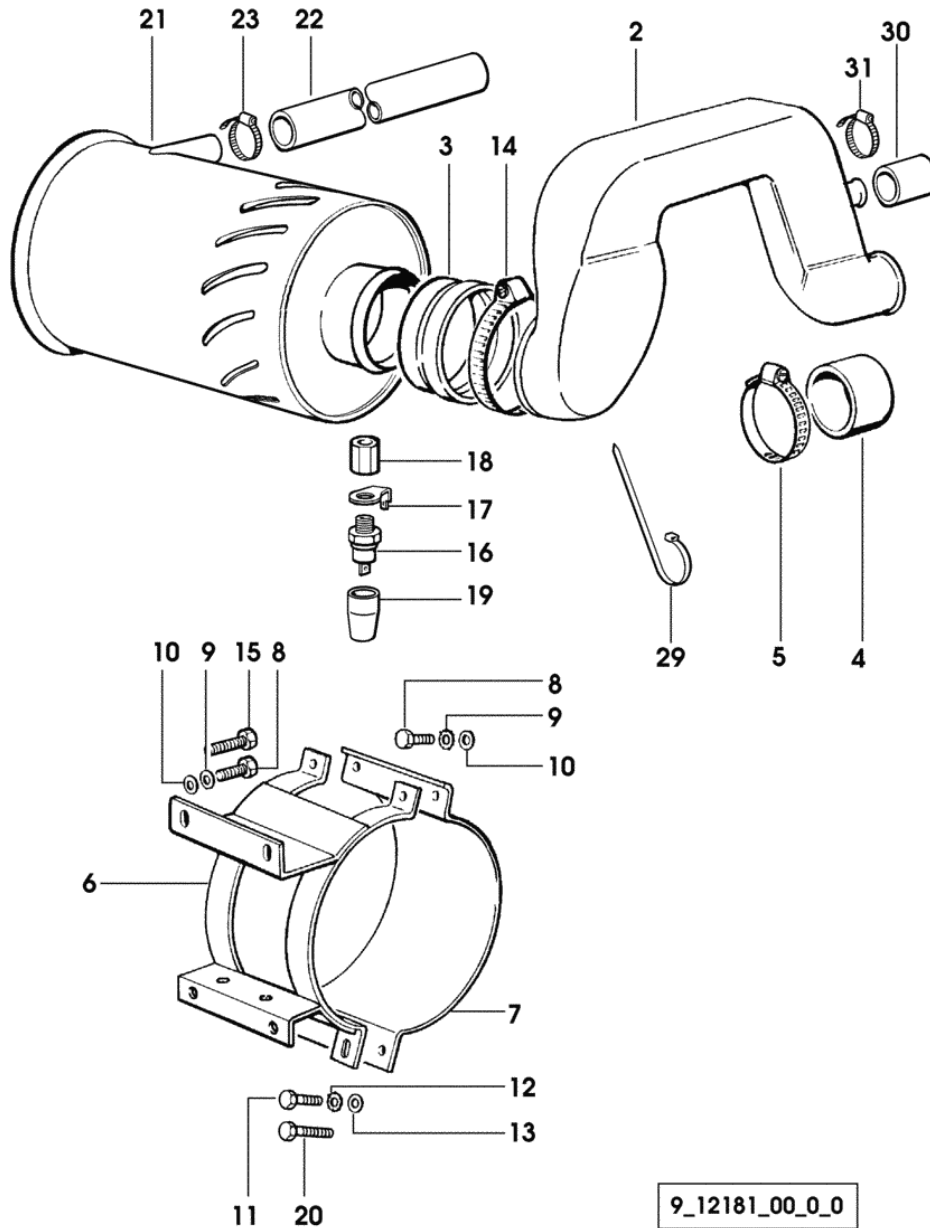


Fig.	Code	QTY	Name
2	0.008.2071.2/20	1	sleeve
3	0.008.2110.0	1	sleeve
4	0.285.8150.0	1	sleeve
5	2.6850.013.0	2	clamp 60-100
6	0.007.5971.2/20	1	support
7	0.008.2172.2	1	clamp
8	2.0112.207.2	5	screw m 8 p 1.25 x 20
9	2.1470.004.2	6	washer 8
10	2.1310.004.2	6	flat washer 8.5
11	2.0112.211.2	1	screw m 8 p.1.25 x 30
12	2.1470.004.2	2	washer 8
13	2.1310.004.2	2	flat washer 8.5
14	2.6851.014.0	2	clamp 130-150
15	2.0112.211.2	1	screw m 8 p.1.25 x 30
16	2.7099.320.0/10	1	pressure switch
17	0.164.8450.0	1	terminal
18	2.1099.051.0	1	special nut 1/8"x25
19	2.6519.029.0	1	cap
20	2.0119.167.2	1	screw m 8 p.1.25 x 50
21	2.4249.560.0	1	air filter 12"
			COMPONENT PARTS SEE COMPONENTS LIST
			☞ 2.4249.560.0
			☞ 07.00.30
22	0.011.1344.0	1	tube
23	2.6851.004.0	2	clamp Ø 32/50
29	0.98503.67.0	2	clamp
30	0.010.6509.0	1	cap
31	2.6851.003.0	1	clamp Ø 25/40

9\_12181\_00\_0\_0

**DRIVER'S SEAT PNEUMATIC SPRINGING GRAMMER MSG95A/20**

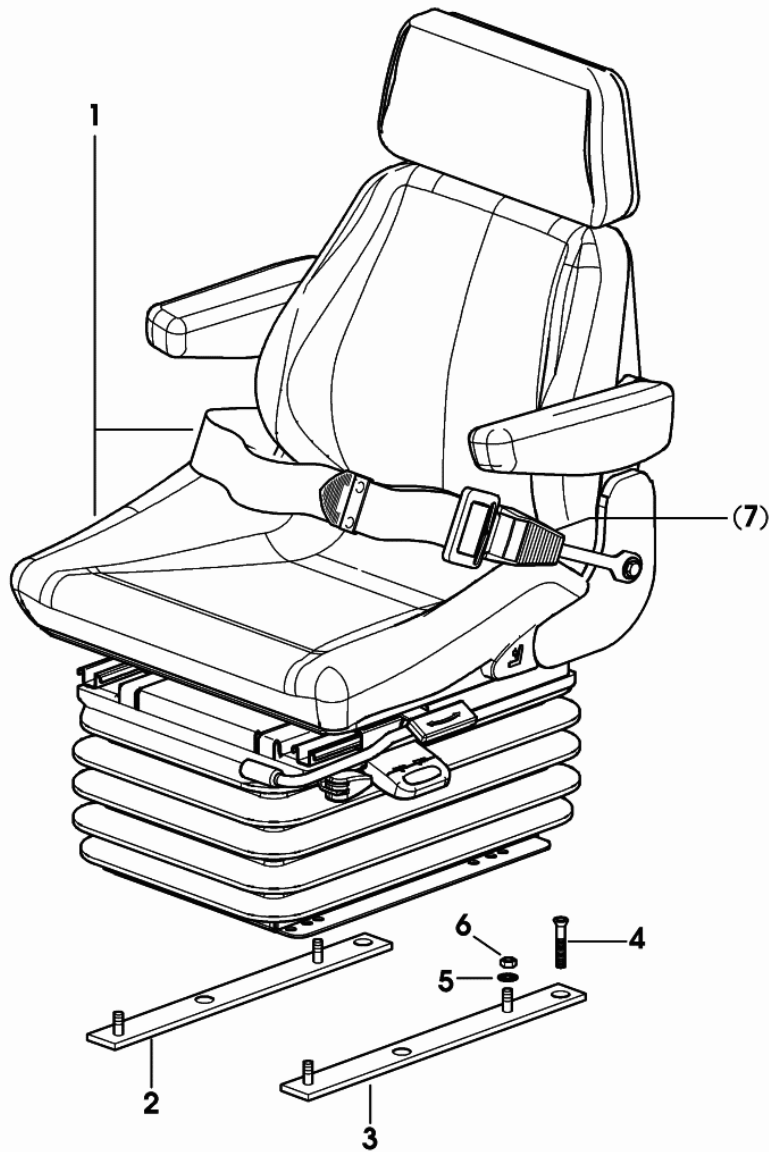


Fig.	Code	QTY	Name
1	0.010.6543.4/10	1	sprung seat GRAMMER MSG95A/20 COMPONENT PARTS SEE COMPONENTS LIST ☞ 0.010.6543.4/10 ☞ 0.010.6543.4/10 ☞ 07.00.32 ☞ 07.00.31
2	0.009.1752.2/20	1	seat support dx/rh/re
3	0.009.1753.2/20	1	seat support sx/lh/li
4	2.0342.310.6	4	screw m 8 p.1.25 x 40
5	2.1470.004.2	4	washer 8
6	2.1011.105.2	4	nut m 8 p.1.25
7	0.009.1755.4	1	safety belt 3615 <- X SILVER 160 1751 <- X SILVER 180

9\_52775\_03\_0\_0

# SILVER 160

## CAB

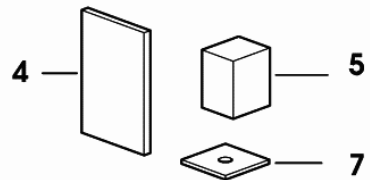
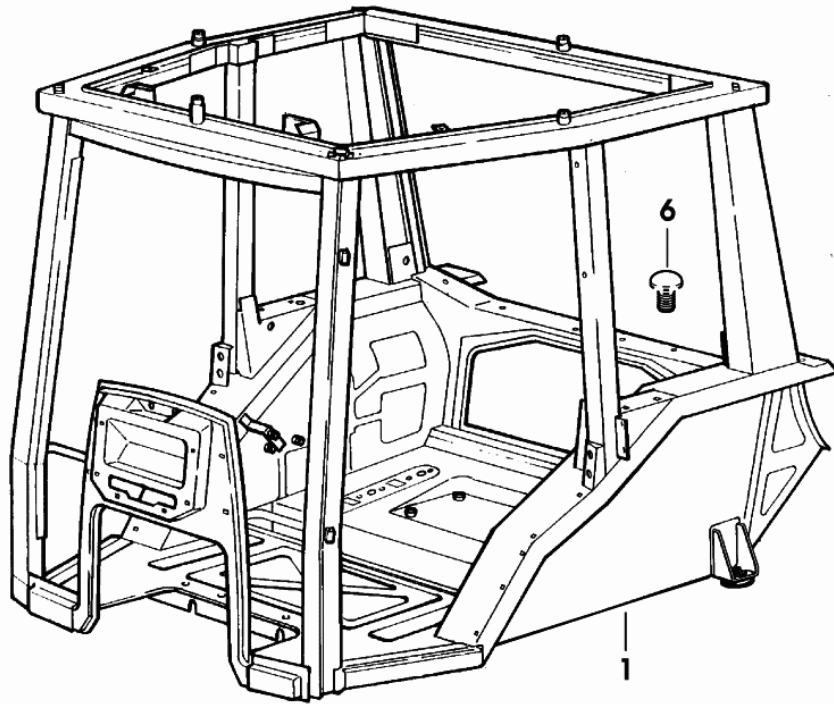
### GENERAL

CAB.....	0B.00.1
REARVIEW MIRROR sx/lh/li.....	0B.00.2
REARVIEW MIRROR dx/rh/re.....	0B.00.3
WINDSCREEN.....	0B.00.4
GLASSES AND SEALS.....	0B.00.5
GLASSES AND SEALS.....	0B.00.6
GLASSES AND SEALS.....	0B.00.7
INTERIOR TRIM.....	0B.00.8
CAB CUSTOMIZATION.....	0B.00.9
CAB CUSTOMIZATION.....	0B.00.10
GLASSES AND SEALS.....	0B.00.11
GLASSES AND SEALS.....	0B.00.12
GLASSES AND SEALS.....	0B.00.13
INTERIOR TRIM.....	0B.00.14
FRONT WINDSHIELD WIPER SYSTEM.....	0B.00.15
PISTON COOL.NOZZLE.....	0B.00.16
REAR WIPER WIRING SYSTEM.....	0B.00.17
WATER TANK.....	0B.00.18
CAB SOUNDPROOF PANELS.....	0B.00.19
CAB SOUNDPROOF PANELS.....	0B.00.20
INTERIOR TRIM.....	0B.00.21
INTERIOR TRIM.....	0B.00.22
INTERIOR TRIM.....	0B.00.23
INTERIOR TRIM.....	0B.00.24
INTERIOR TRIM.....	0B.00.25
CONSOLE.....	0B.00.26
RIGHT-HAND GRAB HANDLE.....	0B.00.27
CAB SOUNDPROOF PANELS.....	0B.00.28
FIXINGS FOR CAB INTERIOR TRIM.....	0B.00.29
CAB INSTALLATION COMPLETION.....	0B.00.30
CAB ROOF - COLOUR IVORY.....	0B.00.31
ROOF WITH SKYLIGHT - SILVER COLOUR.....	0B.00.32
ROOF COVERING FOR SKYLIGHT.....	0B.00.33
ROOF COVERING.....	0B.00.34
CAB INSTALLATION COMPLETION.....	0B.00.35
EQUIPMENT FOR CAB TILTING.....	0B.00.36
CAB AIR LINES.....	0B.00.37
CAB DUCTWORKS AND SOUNDPROOFING.....	0B.00.38
CAB DUCTWORKS AND SOUNDPROOFING.....	0B.00.39
CAB DUCTWORKS AND SOUNDPROOFING.....	0B.00.40

CAB VENTILATION.....	0B.00.41
VENTILATION - AIR CONDITIONING.....	0B.00.42
VENTILATION - AIR CONDITIONING.....	0B.00.43
CLIMATE CONTROL SYSTEM.....	0B.00.44
CLIMATE CONTROL SYSTEM.....	0B.00.45
VENTILATION - AIR CONDITIONING.....	0B.00.46
VENTILATION - HEATING.....	0B.00.47
VENTILATION - HEATING.....	0B.00.49
VENTILATION - HEATING OVERSIZE.....	0B.00.50
VENTILATION - HEATING OVERSIZE.....	0B.00.51
VENTILATION - HEATING OVERSIZE.....	0B.00.52
HEATING OVERSIZE.....	0B.00.53
HEATING OVERSIZE.....	0B.00.54
HEATING OVERSIZE.....	0B.00.55

Section: CAB  
**CAB**

Fig.	Code	QTY	Name
1	0.007.7707.3/90	1	cab
4	0.009.8808.0	6	stopper
5	0.011.0716.0/10	2	stopper
6	2.3199.219.0	14	plug 10.4x22.5x22
7	0.011.0718.0	1	gasket

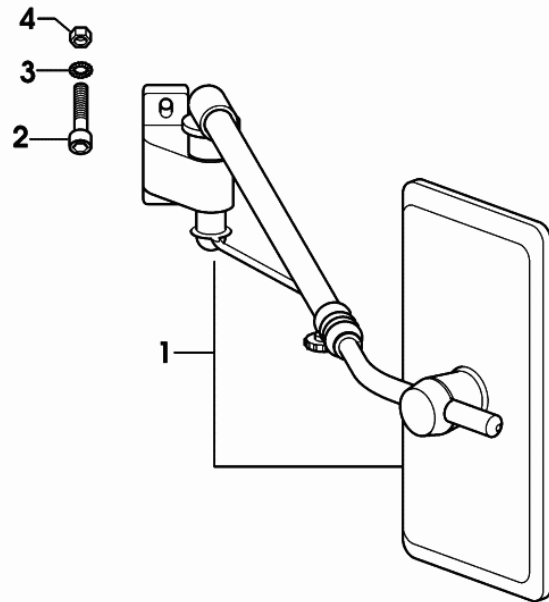


9\_49271\_01\_0\_0



Section: CAB

**REARVIEW MIRROR sx/lh/li**



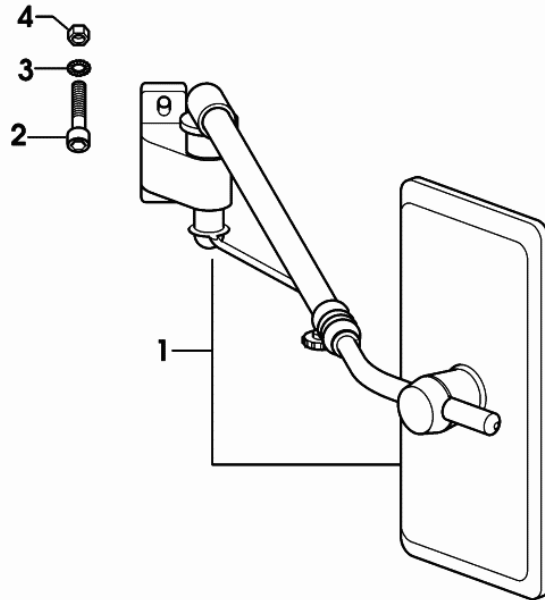
9\_12176\_65\_0\_0

Fig.	Code	QTY	Name
1	0.011.0032.4/20	1	rear view mirror sx/lh/li COMPONENT PARTS SEE COMPONENTS LIST ☞ 0.011.0032.4/20 ☞ 0B.00.45
2	2.0362.307.3	2	screw m 8 p.1.25 x 20
3	2.1310.004.2	2	flat washer 8.5
4	2.1011.105.2	2	nut m 8 p.1.25

Section: CAB

**REARVIEW MIRROR dx/rh/re**

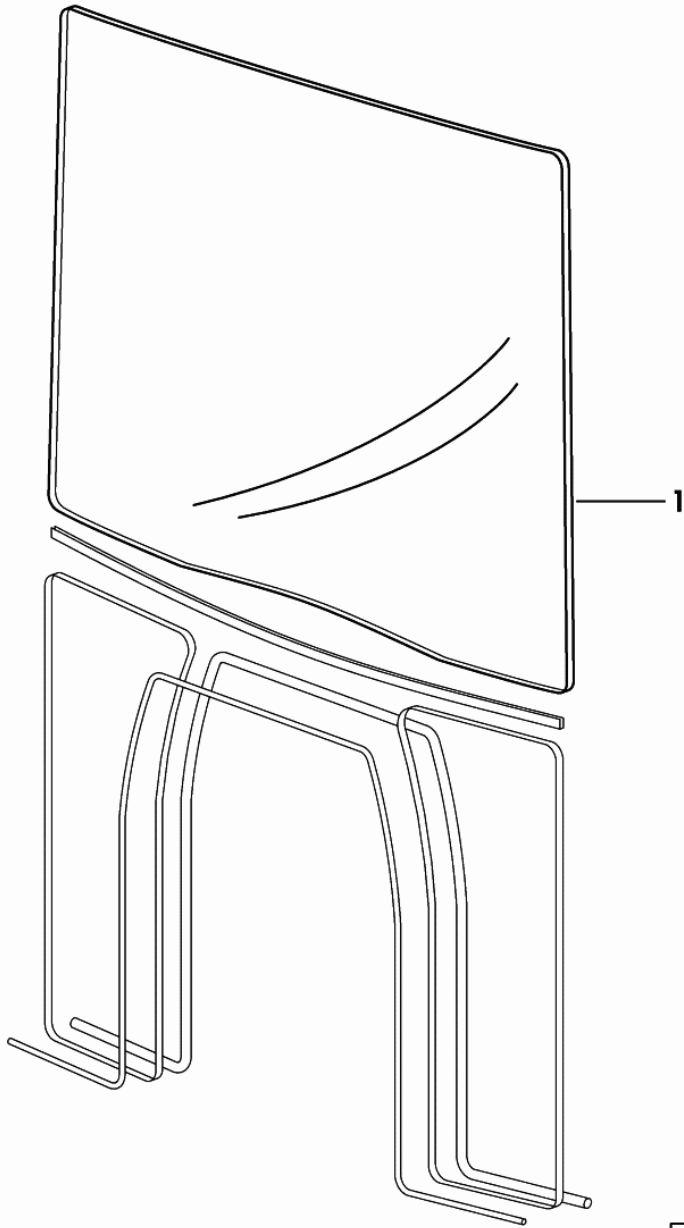
Fig.	Code	QTY	Name
1	0.011.0031.4/20	1	rear view mirror dx/rh/re COMPONENT PARTS SEE COMPONENTS LIST ☞ 0.011.0031.4/20 ☞ 0B.00.46
2	2.0362.307.3	2	screw m 8 p.1.25 x 20
3	2.1310.004.2	2	flat washer 8.5
4	2.1011.105.2	2	nut m 8 p.1.25



9\_12176\_66\_0\_0

Section: CAB  
**WINDSCREEN**

Fig.	Code	QTY	Name
1	0.009.0300.0	1	tempered glass - OUGHENED GLASS

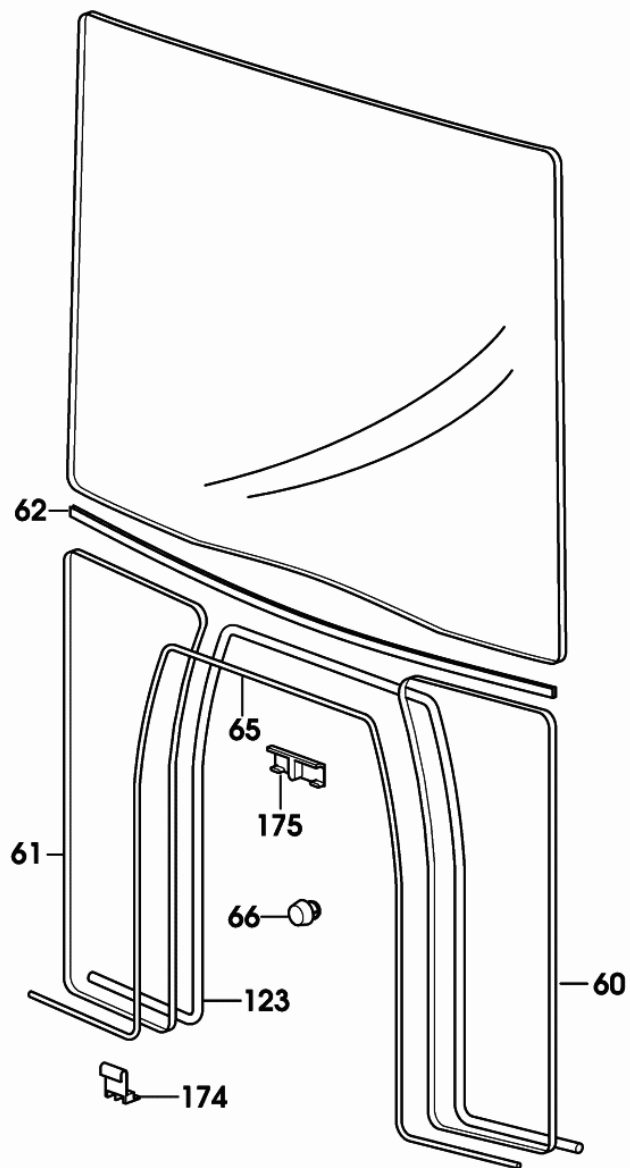


9\_52671\_11\_0\_0

Section: CAB

**GLASSES AND SEALS**

Fig.	Code	QTY	Name
60	0.007.5180.0/10	1	glass sx/lh/li
61	0.007.5179.0/10	1	glass dx/rh/re
62	0.008.2480.0/10	1	gasket mm 950
65	0.008.8064.0	1	gasket
66	0.008.8063.0	4	spacer
123	0.008.2478.0/20	1	gasket mm 2200
174	0.009.1166.0	2	spacer
175	0.009.1167.0	2	stop



9\_52671\_10\_0\_C



Section: CAB

**GLASSES AND SEALS**

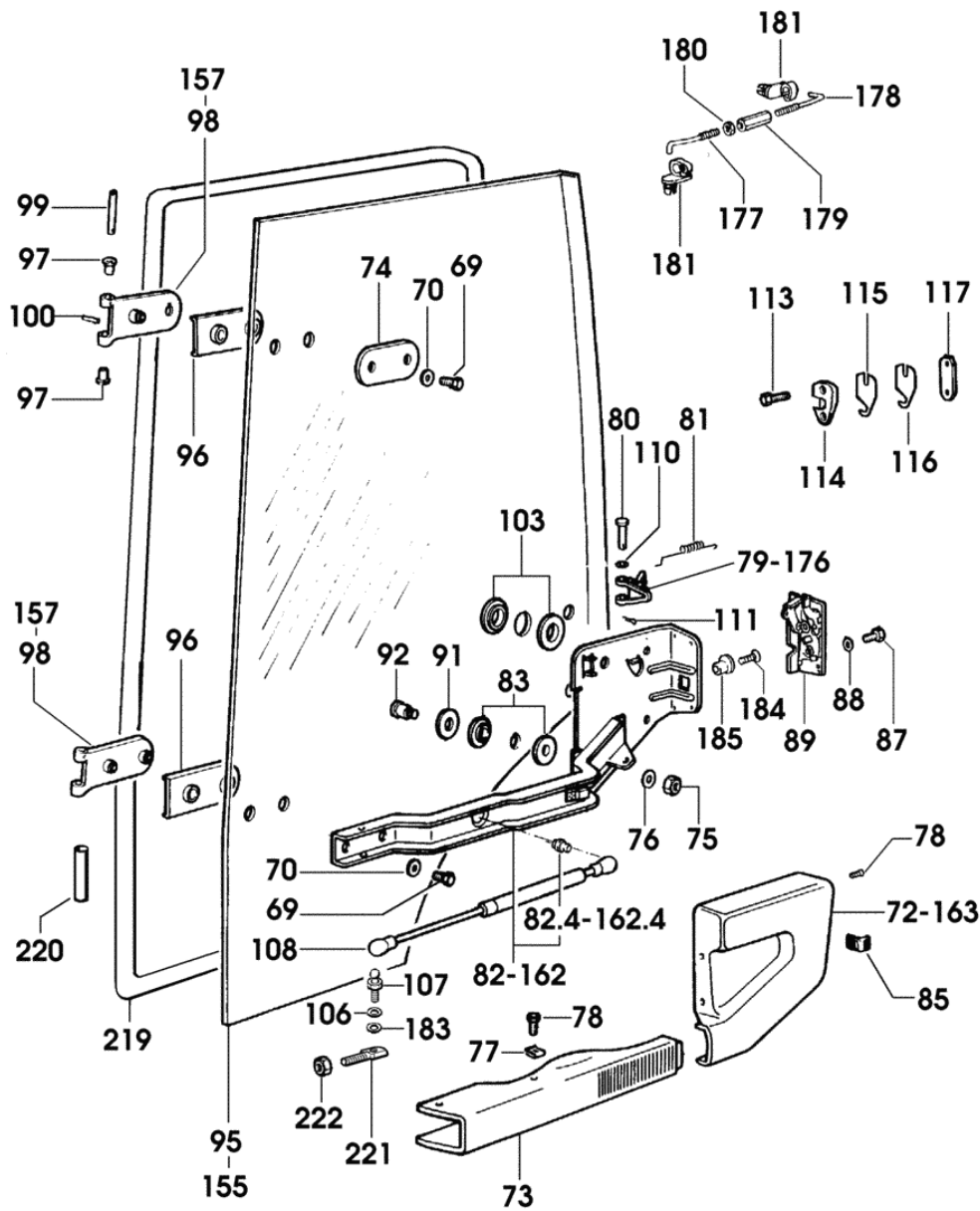
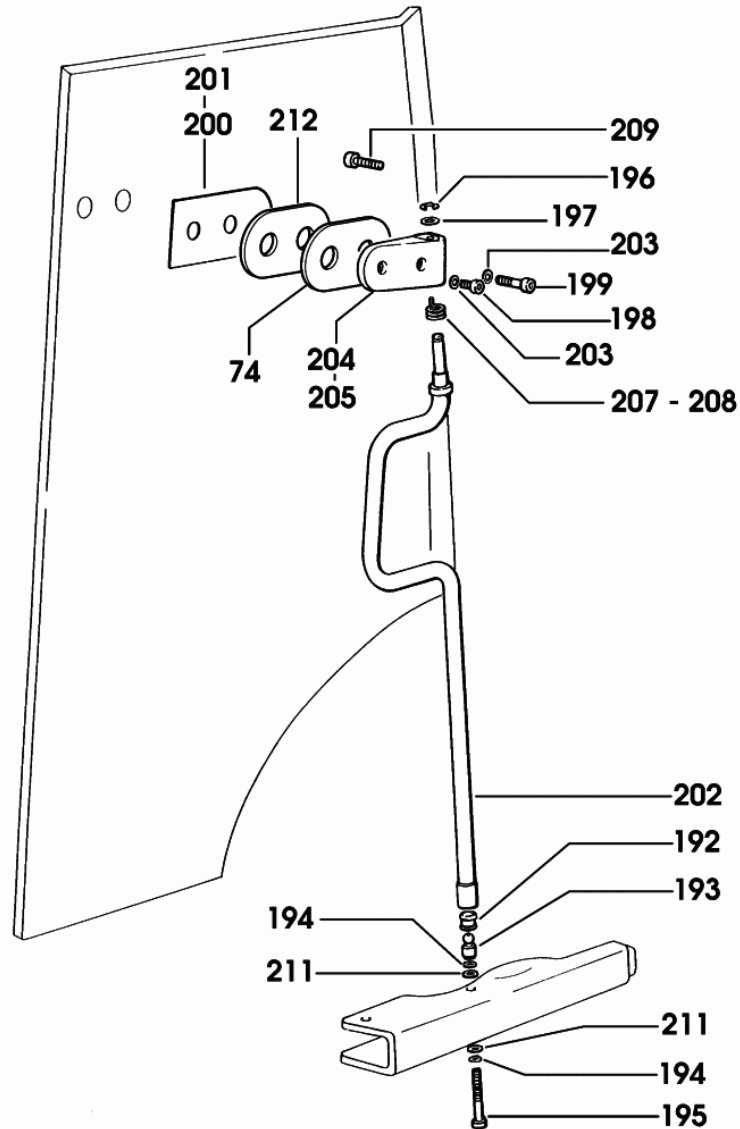


Fig.	Code	QTY	Name
177	0.009.1163.0	2	rod
178	0.009.1164.0	2	rod
179	2.1099.125.2	2	special nut m 5
180	2.1011.102.2	2	nut m 5 p.0.7
181	0.009.1165.0	4	spring
183	2.1474.009.2	2	spring washer 8
184	2.0342.108.3	2	screw m 5 p.0.8x30
185	0.009.1625.0/10	2	clevis
219	0.010.7759.0	0	gasket
220	0.010.1502.0/10	0	sheath
221	0.010.6185.0	2	support
222	2.1011.208.2	2	nut m 14 p.2

9\_52671\_10\_0\_B

Section: CAB

**GLASSES AND SEALS**

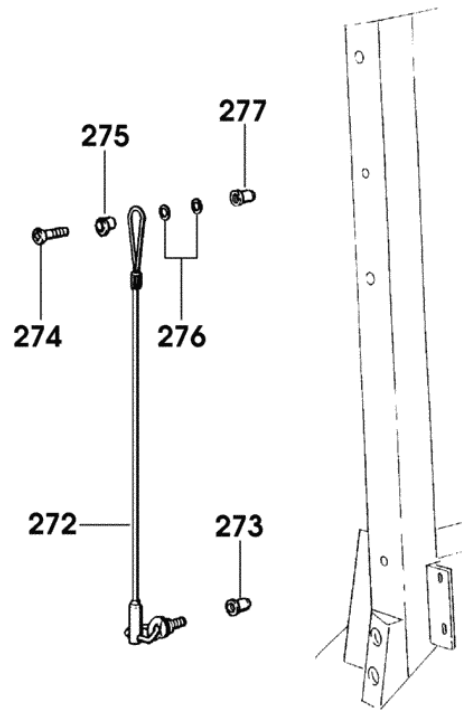


9\_52671\_10\_0\_D

Fig.	Code	QTY	Name
74	0.007.5876.0	4	gasket
192	0.255.6454.0	2	pin seat
193	0.008.1950.0	2	pin
194	2.1480.012.1	4	washer 6, d128
195	2.0312.020.2	2	screw
196	2.1430.011.7	2	circlip 10
197	2.1310.007.3	2	flat washer 13 x 24
198	2.0312.206.3	2	screw m 8 p.1.25 x 20
199	2.0312.212.3	2	screw m 8 x 35
200	0.008.0901.0	1	plate sx/lh/li
201	0.008.0902.0	1	plate dx/rh/re
202	0.008.0796.3	2	handle
203	2.1310.004.3	4	washer 8.4x17
204	0.008.0798.0/20	1	support sx/lh/li
205	0.008.0799.0/20	1	support dx/rh/re
207	2.4099.082.2	1	spring dx/rh/re
208	2.4099.083.2	1	spring sx/lh/li
209	2.0312.001.2	2	screw m 5 p.0.8 x 10
211	2.1310.001.2	4	flat washer 5.3
212	0.007.5878.0	2	plate

Section: CAB  
**INTERIOR TRIM**

Fig.	Code	QTY	Name
272	0.009.1620.3/10	2	cabl
273	2.1142.010.2	2	insert m 6
274	2.0332.409.3	2	screw 6 x 30
275	0.009.1625.0/10	2	clevis
276	2.1310.001.3	4	washer 5.3 x 10
277	2.1142.010.2	2	insert m 6



9\_B2171\_20\_0\_1

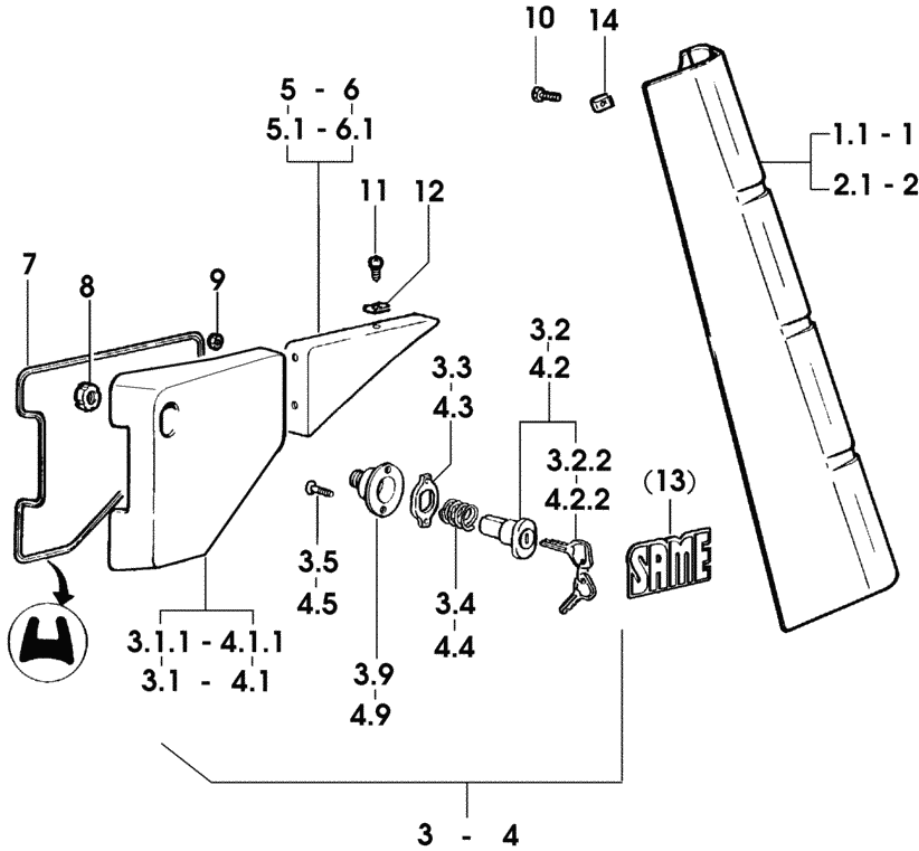


Section: CAB  
**CAB CUSTOMIZATION**

Fig.	Code	QTY	Name
------	------	-----	------

**Notes:**

(...) <- X SILVER 160    (...) <- X SILVER 180



9\_B2171\_21\_0\_0

1	0.000.0000.1	0	not serviceable
1.1	0.009.1770.2/10	1	guard sx/lh/li
2	0.000.0000.1	0	not serviceable
2.1	0.009.1771.2	1	guard dx/rh/re
3	0.000.0000.1	0	not serviceable
3.1	0.000.0000.1	0	not serviceable
3.1.1	0.007.5831.7/50	1	handle sx/lh/li
3.2	0.008.2765.4	1	push-button
3.2.2	2.7439.013.2	1	key
3.3	0.007.5899.0	1	plate
3.4	0.008.2774.0	1	spring
3.5	2.0342.105.3	2	screw m 5x0.8x20
3.9	0.007.5961.0	1	cup
4	0.000.0000.1	0	not serviceable
4.1	0.000.0000.1	0	not serviceable
4.1.1	0.008.2767.7/50	1	handle dx/rh/re
4.2	0.008.2765.4	1	push-button
4.2.2	2.7439.013.2	1	key
4.3	0.007.5899.0	1	plate
4.4	0.008.2774.0	1	spring
4.5	2.0342.105.3	2	screw m 5x0.8x20
4.9	0.007.5961.0	1	cup
5	0.000.0000.1	0	not serviceable
5.1	0.008.2778.0/10	1	cover sx/lh/li
6	0.000.0000.1	0	not serviceable
6.1	0.008.2779.0/10	1	cover dx/rh/re
7	0.008.3161.0	2	gasket
8	2.1220.005.2	2	ring nut 20 p.1
9	2.1011.102.2	6	nut m 5 p.0.7
10	2.0352.556.3	6	screw
11	2.0350.454.3	6	screw m 4.2 x 13 -AB-
12	2.6999.063.0	6	small spring
13	0.269.7287.2	1	plate SAME
			3506 <- X SILVER 160
			1513 <- X SILVER 180
14	2.6999.047.0	6	small spring

Section: CAB  
**CAB CUSTOMIZATION**

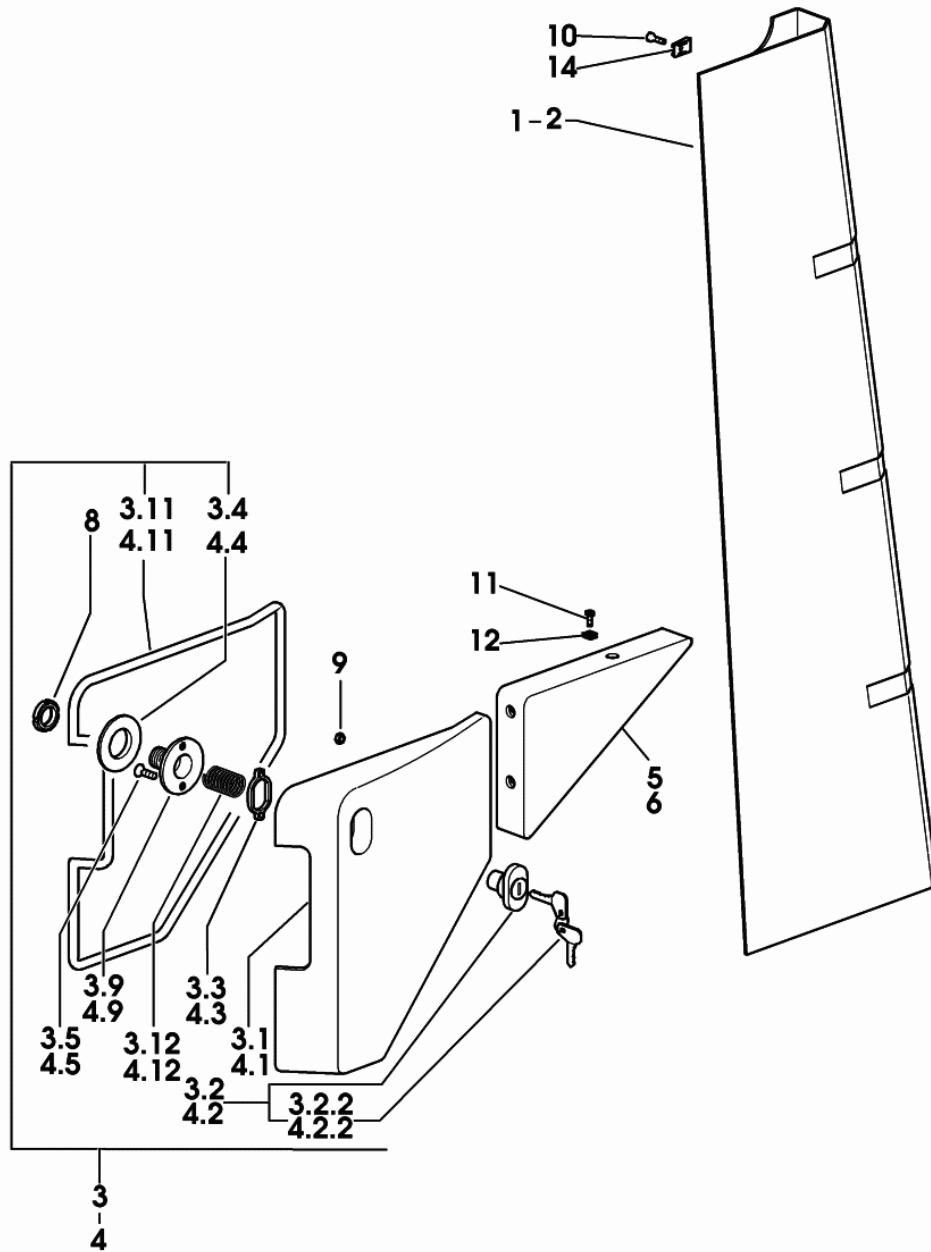


Fig.	Code	QTY	Name
------	------	-----	------

Notes:  
 -> (...) X SILVER 160 -> (...) X SILVER 180

1	0.009.1770.2/20	1	guard sx/lh/li
2	0.009.1771.2/10	1	guard dx/rh/re
3	0.000.0000.1	0	not serviceable
3.1	0.009.1778.3/40	1	handle sx/lh/li
3.2	0.008.2765.4	1	push-button
3.2.2	2.7439.013.2	1	key
3.3	0.007.5899.0	1	plate
3.4	0.007.5962.0	1	gasket
3.5	2.0342.105.3	2	screw m 5x0.8x20
3.9	0.007.5961.0	1	cup
3.11	0.008.3161.0	1	gasket
3.12	0.008.2774.0	1	spring
4	0.000.0000.1	0	not serviceable
4.1	0.009.1779.3/40	1	handle dx/rh/re
4.2	0.008.2765.4	1	push-button
4.2.2	2.7439.013.2	1	key
4.3	0.007.5899.0	1	plate
4.4	0.007.5962.0	1	gasket
4.5	2.0342.105.3	2	screw m 5x0.8x20
4.9	0.007.5961.0	1	cup
4.11	0.008.3161.0	1	gasket
4.12	0.008.2774.0	1	spring
5	0.009.1768.0/10	1	guard sx/lh/li
6	0.009.1769.0/10	1	guard dx/rh/re
8	2.1220.005.2	2	ring nut 20 p.1
9	2.1011.102.2	6	nut m 5 p.0.7
10	2.0352.556.3	6	screw
11	2.0350.454.3	6	screw m 4.2 x 13 -AB-
12	2.6999.063.0	6	small spring
14	2.6999.047.0	6	small spring

9\_49271\_21\_0\_0

**GLASSES AND SEALS**

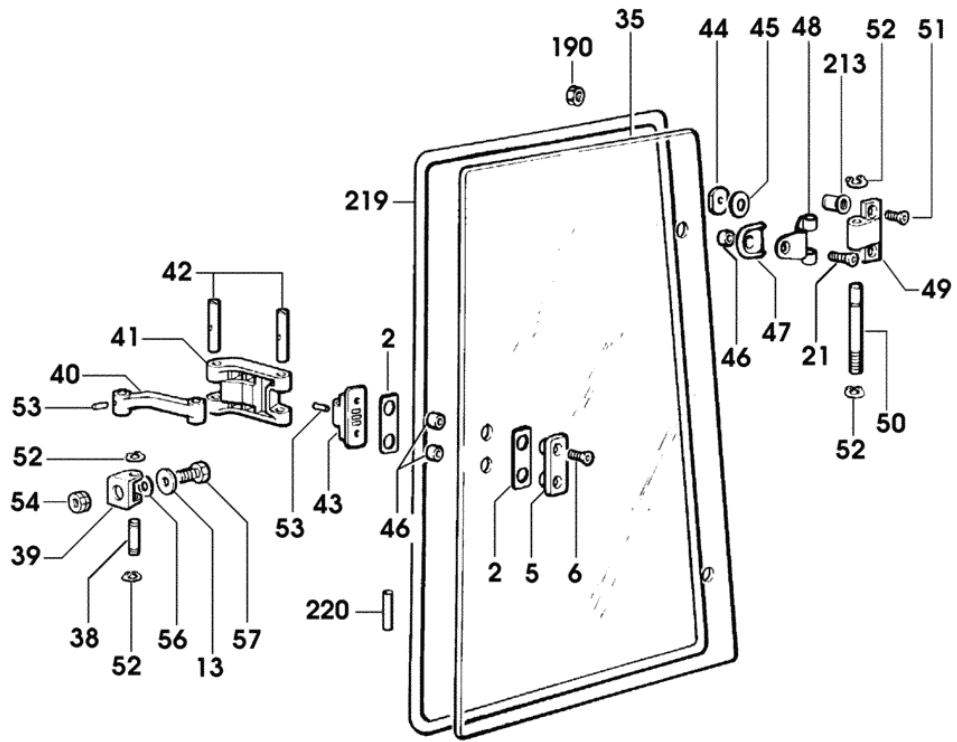


Fig.	Code	QTY	Name
2	0.007.2858.0	4	gasket
5	0.007.2857.0	2	small plate
6	2.0342.207.3	4	screw m 6 p.1 x 25
13	2.1499.096.3	4	washer 8
21	2.0342.307.3	4	screw m 8 p.1.25 x 25
35	0.007.7337.0/10	2	glass
38	2.1699.270.0	2	pin 8x39
39	0.007.5815.0	2	fork
40	0.007.5816.0/20	2	hinge
41	0.007.5817.0/20	2	hinge
42	2.1699.269.0	4	pin 8x58
43	0.007.5842.0	2	hinge
44	0.007.5843.0	4	ring nut
45	2.1569.143.0	4	gasket
46	2.1579.450.2	4	spacer 8.5 x 14 x 12
47	0.007.5845.0/10	4	gasket
48	0.007.5846.0/10	4	hinge
49	0.9231.257.0/20	4	hinge
50	2.1699.241.2	4	pin
51	2.0342.305.2	8	screw m 8 p.1.25 x 20
52	2.1430.007.2	12	circlip 6, d128
53	2.1630.107.0	4	pin 2.5x14
54	2.1140.023.2	2	special nut m 8 p.1.25
56	2.1399.006.3	2	washer 9.4
57	2.0119.156.3	2	screw m 8 p.1.25 x 25
190	2.1011.103.2	4	nut m 6 p.1
213	2.1142.011.2	8	insert m 8
219	0.010.7759.0	0	gasket
220	0.010.1502.0/10	0	sheath

9\_52671\_10\_0\_A

Section: CAB  
GLASSES AND SEALS

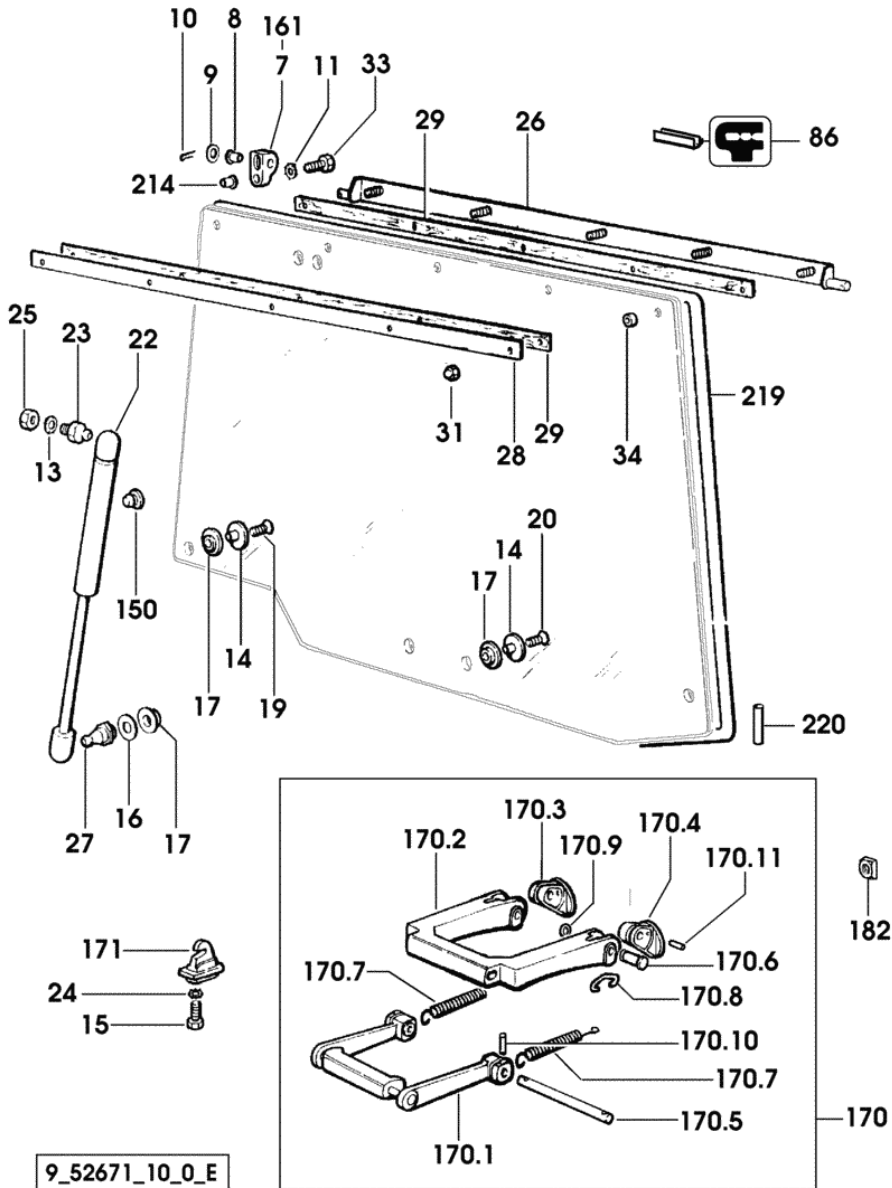
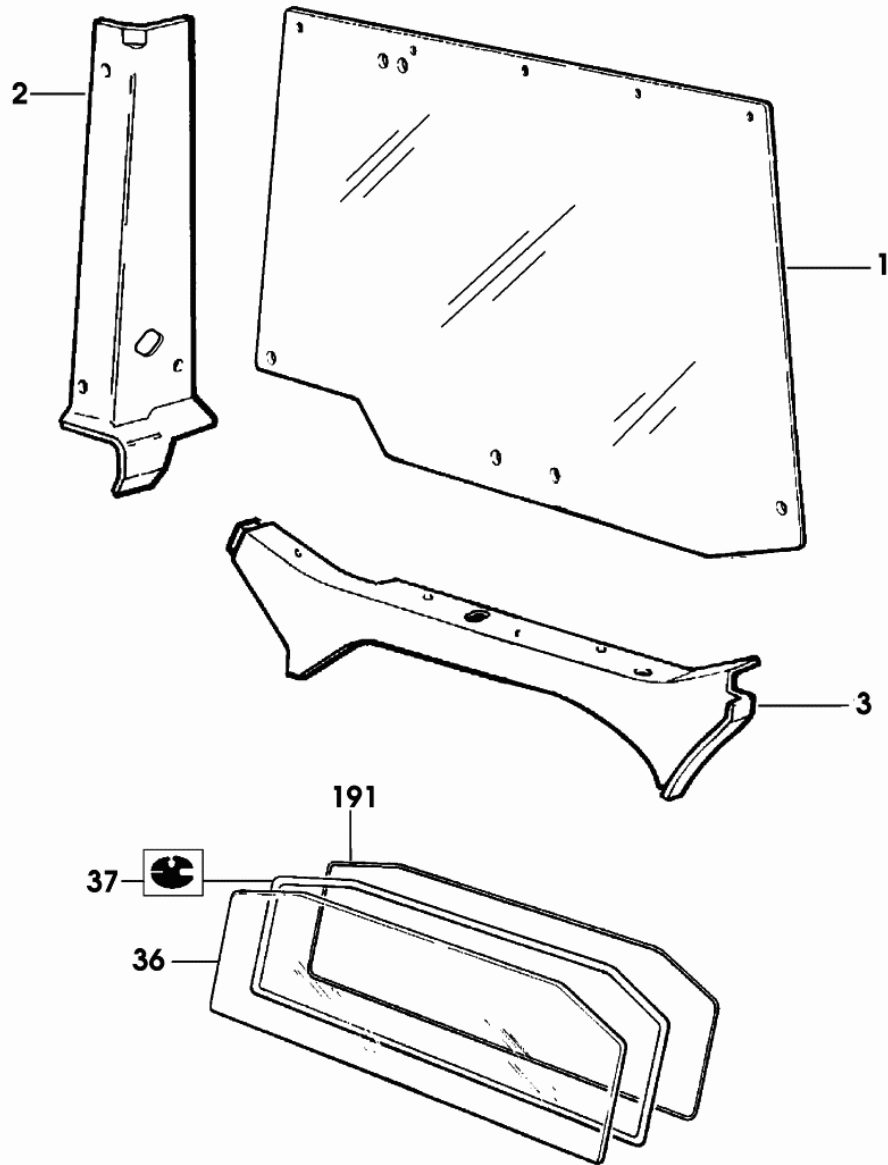


Fig.	Code	QTY	Name
7	0.007.5497.0/20	1	hinge sx/lh/li
8	2.1559.147.0	2	bushing 10 x 28 x 18
9	2.1311.007.2	4	flat washer 10
10	2.1690.307.2	2	split pin 3.2x18
11	2.1470.006.2	2	lock washer 10
13	2.1499.096.3	4	washer 8
14	2.1499.093.0	4	washer
15	2.0112.007.2	4	screw m 6 p.1 x 20
16	2.1599.528.2	2	washer 18x40x2
17	0.009.0422.0	8	gasket
19	2.0342.307.3	2	screw m 8 p.1.25 x 25
20	2.0342.308.3	2	screw m 8 p.1.25 x 30
22	0.010.1579.0	2	shoch.absorber
23	0.007.5458.0	2	joint
24	2.1470.002.2	4	washer 6, d128
25	2.1011.105.2	2	nut m 8 p.1.25
26	0.010.1494.3	1	hinge
27	0.009.0426.0	2	joint
28	0.010.1495.0	1	plate
29	0.010.1496.0	2	gasket
31	2.1030.002.7	5	cap nut
33	2.0312.310.2	2	screw m 10 p.1.5 x 30
34	2.1549.324.0	5	spacer 9x13x6
86	0.009.3198.0/10	1	gasket
150	2.3199.148.0	1	plug 8.5
161	0.007.5496.0/20	1	hinge dx/rh/re
170	0.009.0711.4/30	1	handle
170.1	0.009.0710.3/10	1	grip
170.2	0.009.0712.0/10	1	handle
170.3	0.009.0713.0	1	support dx/rh/re
170.4	0.009.0705.0	1	support sx/lh/li
170.5	2.1669.041.2/10	1	pin 8 x 174 x 164
170.6	2.1699.240.2	2	pin 8 x 35
170.7	2.4049.170.2	2	spring
170.8	0.009.0689.0	2	clevis
170.9	2.1430.007.7	2	circlip 6, d128
170.10	2.1630.210.9	2	pin 3 x 20
170.11	2.1650.309.0	2	pin 4 x 20
171	0.009.0700.0	2	clevis
182	2.1040.105.7	2	nut m 8
214	2.1142.012.2	2	insert m10
219	0.010.7759.0	0	gasket
220	0.010.1502.0/10	0	sheath

Section: CAB

**GLASSES AND SEALS**

Fig.	Code	QTY	Name
1	0.007.7338.0/10	1	glass
2	0.010.0136.0/60	1	cover dx/rh/re
3	0.010.0135.0/40	1	lining
36	0.007.5312.0/20	1	glass
37	0.007.5311.0	1	profile
191	0.9234.246.0/10	1	profile



9\_73171\_27\_0\_A

Section: CAB  
**INTERIOR TRIM**

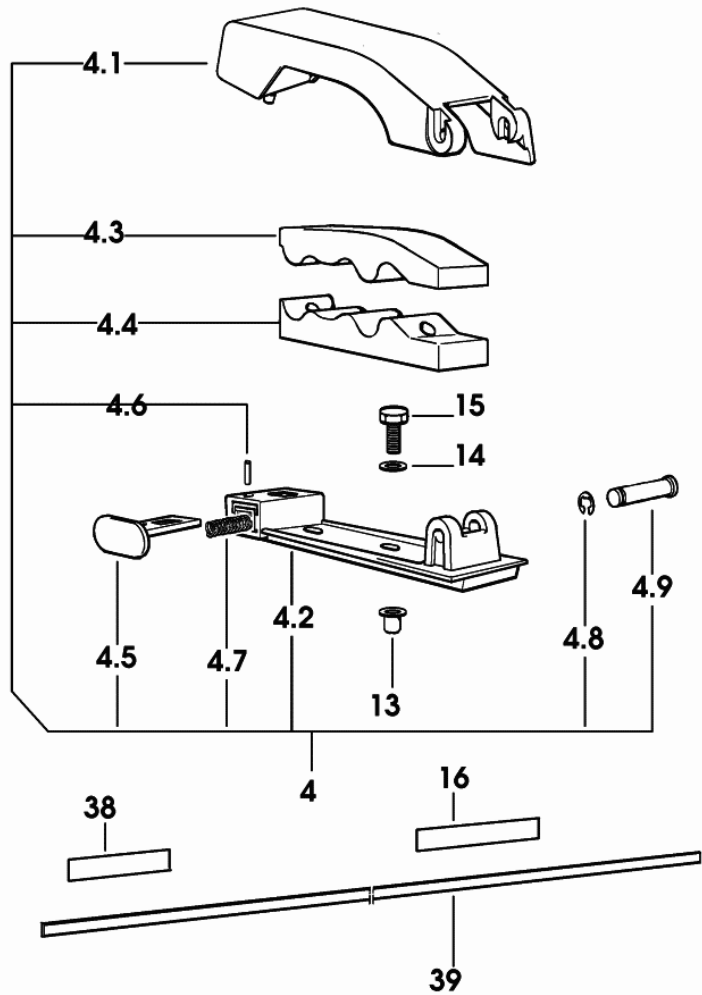


Fig.	Code	QTY	Name
4	0.000.0000.1	0	not serviceable
4.1	0.010.0148.0/20	1	cover
4.2	0.010.0147.0/10	1	support
4.3	0.010.0150.0/20	1	lining
4.4	0.010.0149.0/20	1	lining
4.5	0.010.0151.0/10	1	push-button
4.6	2.1630.106.1	1	pin 2.5x12
4.7	2.4019.631.2	1	spring
4.8	2.1430.006.2	1	circlip 5
4.9	2.1699.438.3/10	1	pin Ø 6
13	2.1142.010.2	2	insert m 6
14	2.1470.002.2	2	washer 6, d128
15	2.0112.007.2	2	screw m 6 p.1 x 20
16	0.011.3281.0	1	gasket 400x30x7
38	0.011.0715.0	1	gasket 250x30x7
39	0.010.5174.0/10	1	gasket 2000x10x5

9\_73171\_27\_0\_B

Section: CAB

**FRONT WINDSHIELD WIPER SYSTEM**

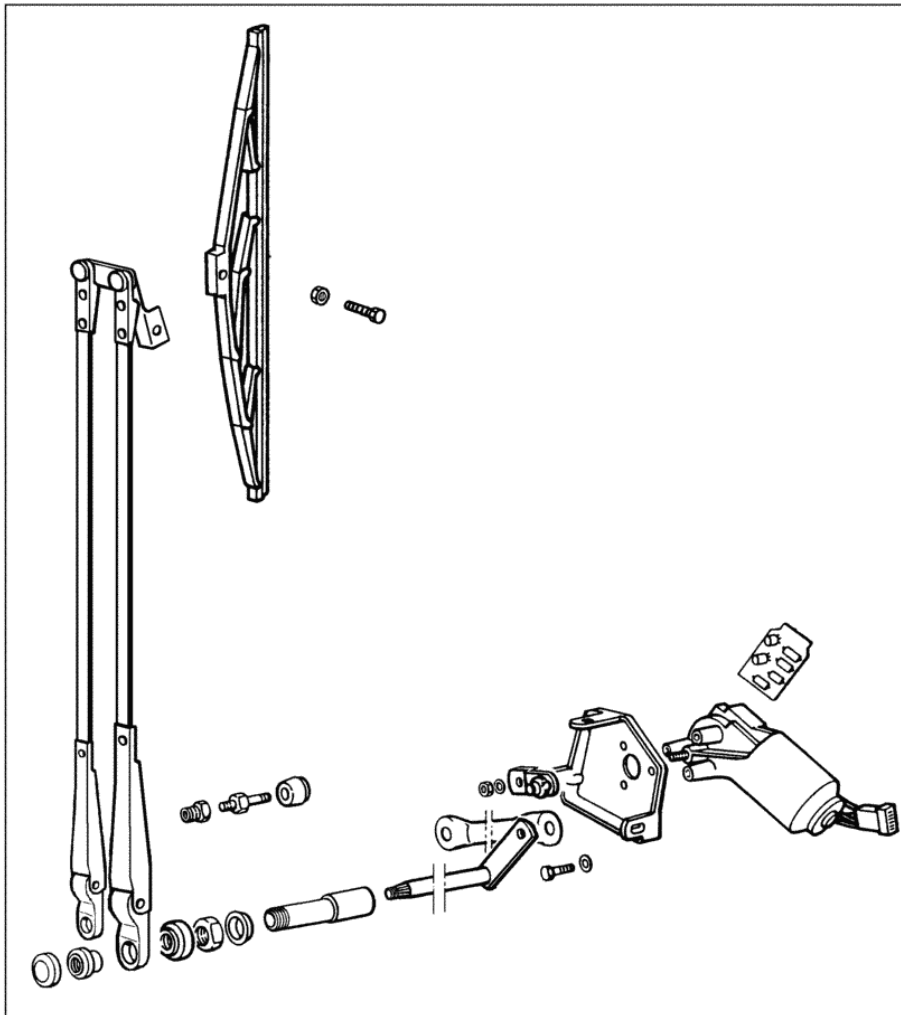
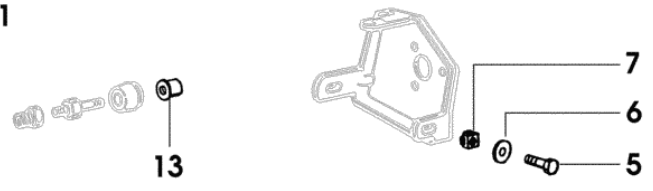


Fig.	Code	QTY	Name
1	0.009.0277.4/40	1	windscreen wiper COMPONENT PARTS SEE COMPONENTS LIST ☞ 0.009.0277.4/40 ☞ 0B.00.47
5	2.0112.007.2	3	screw m 6 p.1 x 20
6	2.1599.153.0	3	snoulder 6.4x17x2
7	2.6999.003.2	3	special nut m 6
13	2.1142.005.2	1	insert m 8

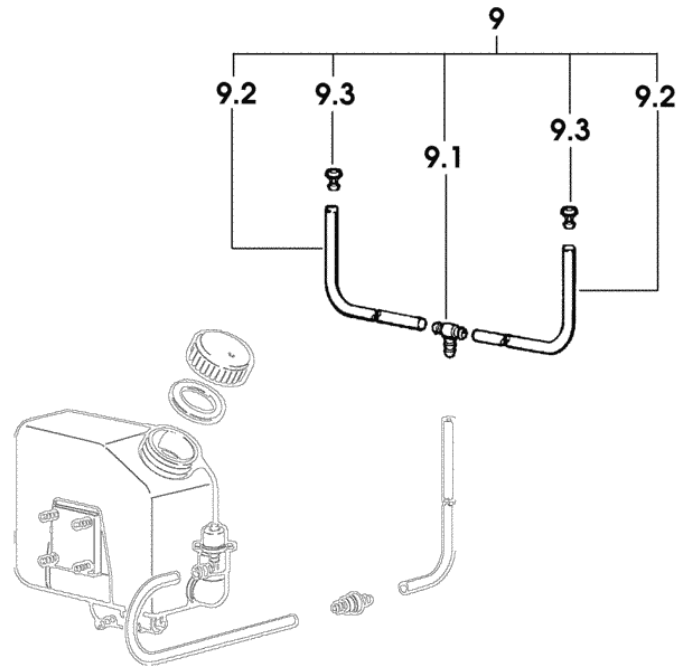


9\_52671\_30\_0\_0

Section: CAB

**PISTON COOL.NOZZLE**

Fig.	Code	QTY	Name
9	0.000.0000.1	0	not serviceable
9.1	0.9234.553.0	1	pipe fitting
9.2	0.9234.554.0/10	2	tube 4x6x280
9.3	0.9234.550.0	2	windscreen washer

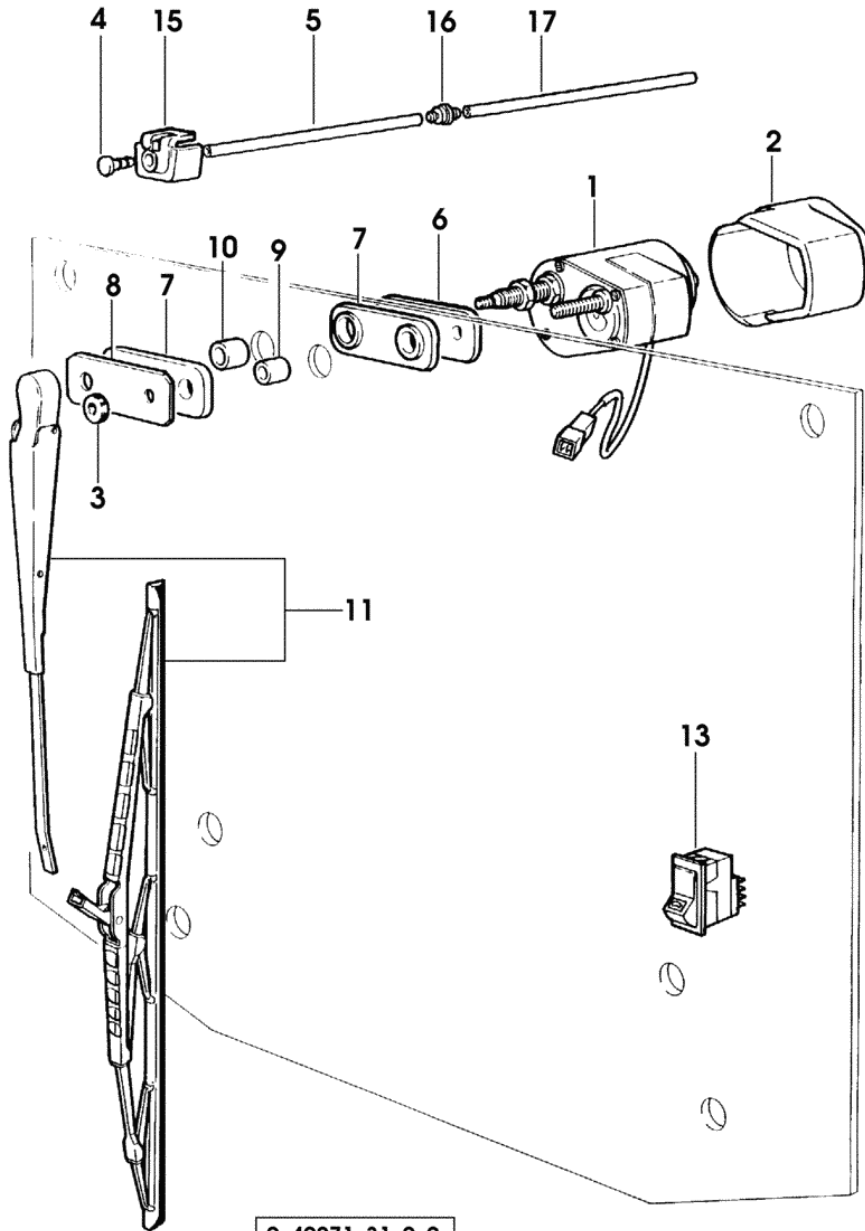


9\_49271\_35\_0\_0



**REAR WIPER WIRING SYSTEM**

Fig.	Code	QTY	Name
1	0.9241.557.4/20	1	wiper motor
2	0.9241.556.0/20	1	guard
3	0.9200.177.0	1	guard
4	0.9231.556.4	1	cooling nozze
5	0.009.1806.0	1	tube
6	0.9241.560.0	1	small plate
7	0.9241.561.0	2	rubber plug
8	0.9241.562.0	1	spacer
9	2.1579.826.2	1	spacer 9x14x17
10	2.1579.909.2	1	spacer 12.6x17x17
11	0.008.3834.4	1	arm
			COMPONENT PARTS SEE COMPONENTS LIST
			☞ 0.008.3834.4
			☞ 0B.00.48
13	2.7659.072.0	1	push-button
15	0.009.1123.0/10	1	support
16	0.9231.559.0	1	pipe fitting
17	0.9234.554.0/10	1	tube 4x6x280



9\_49271\_31\_0\_0

Section: CAB  
**WATER TANK**

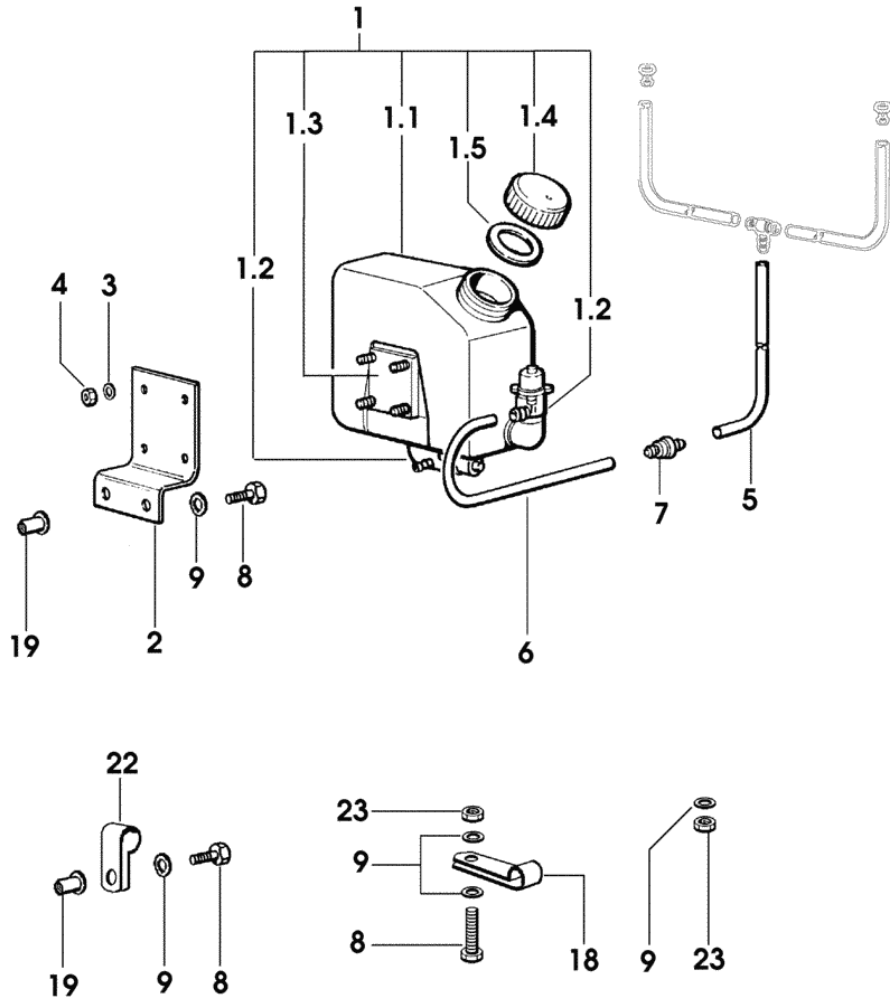
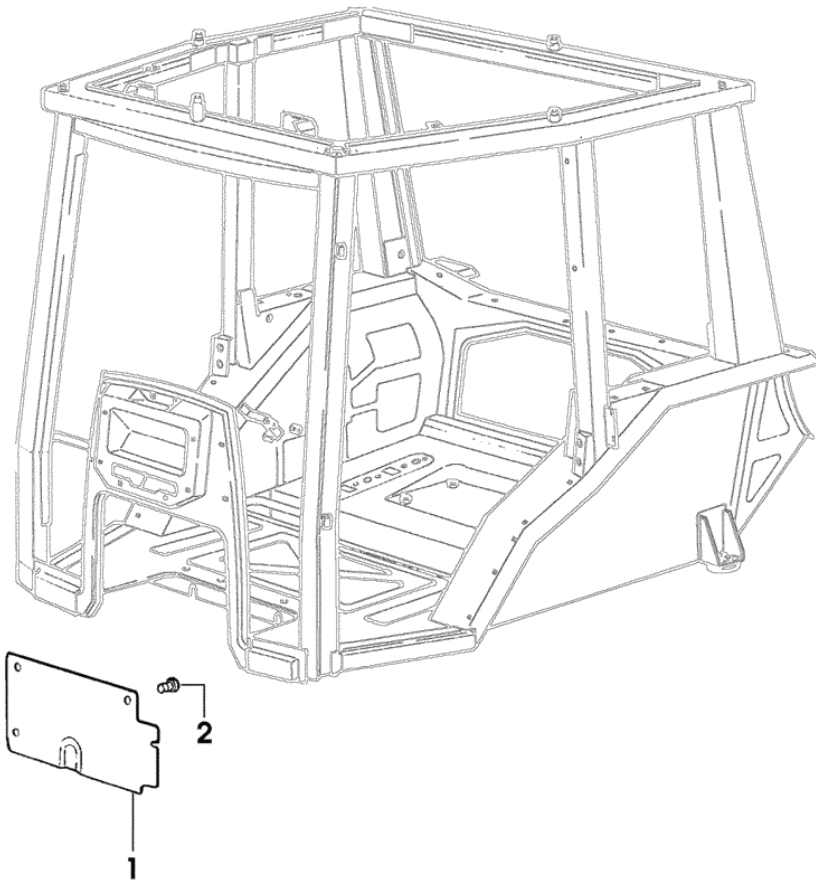


Fig.	Code	QTY	Name
1	0.9241.565.4	1	container COMPONENT PARTS SEE COMPONENTS LIST ☞ 0.9241.565.4 ☞ 0B.00.49
1.1	0.9241.565.1	1	tank
1.2	0.9241.566.1	2	electropump
1.3	0.9234.559.2	1	bracket
1.4	0.9241.567.1	1	plug
1.5	0.9241.568.1	1	gasket
2	0.009.1809.0/10	1	square
3	2.1470.001.2	4	lock washer 5
4	2.1011.102.2	4	nut m 5 p.0.7
5	0.009.1598.0/10	1	tube
6	0.9234.554.0/10	1	tube 4x6x280
7	0.9231.559.0	1	pipe fitting
8	2.0112.009.2	8	screw m 6 p.1 x 25
9	2.1470.002.2	12	washer 6, d128
18	2.6839.035.2	5	bracket
19	2.1142.010.2	5	insert m 6
22	2.6839.037.2	3	clamp Ø 8
23	2.1011.103.2	4	nut m 6 p.1

9\_49271\_34\_0\_0

Section: CAB  
**CAB SOUNDPROOF PANELS**

Fig.	Code	QTY	Name
1	0.011.0162.0/10	1	division
2	2.3199.198.0/10	4	plug 20x31

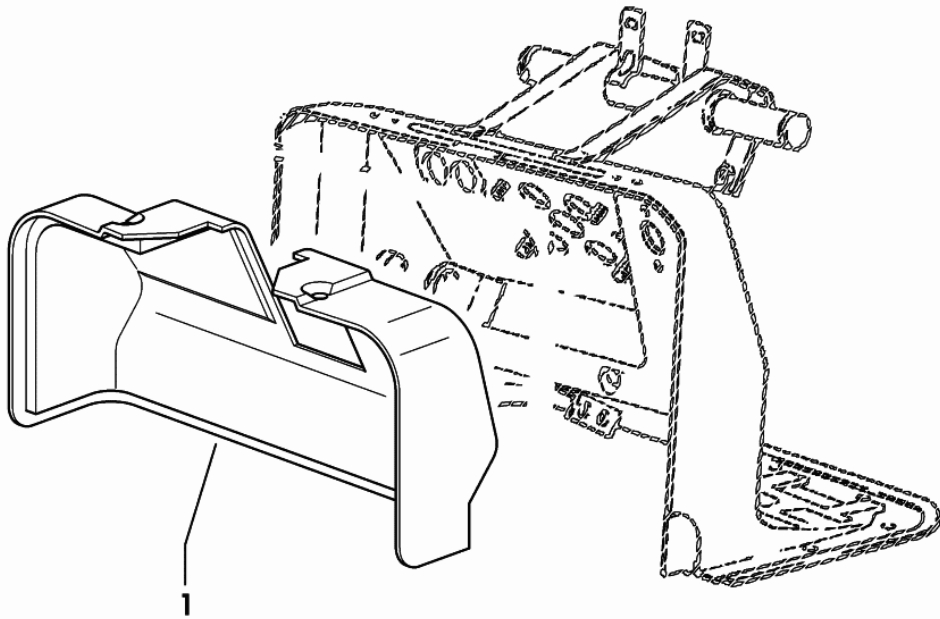


9\_12186\_02\_0\_0

Section: CAB

**CAB SOUNDPROOF PANELS**

Fig.	Code	QTY	Name
1	0.009.0393.0/60	1	sound deadening



9\_52671\_25\_0\_0

9\_B2171\_20\_0\_E

Section: CAB  
**INTERIOR TRIM**

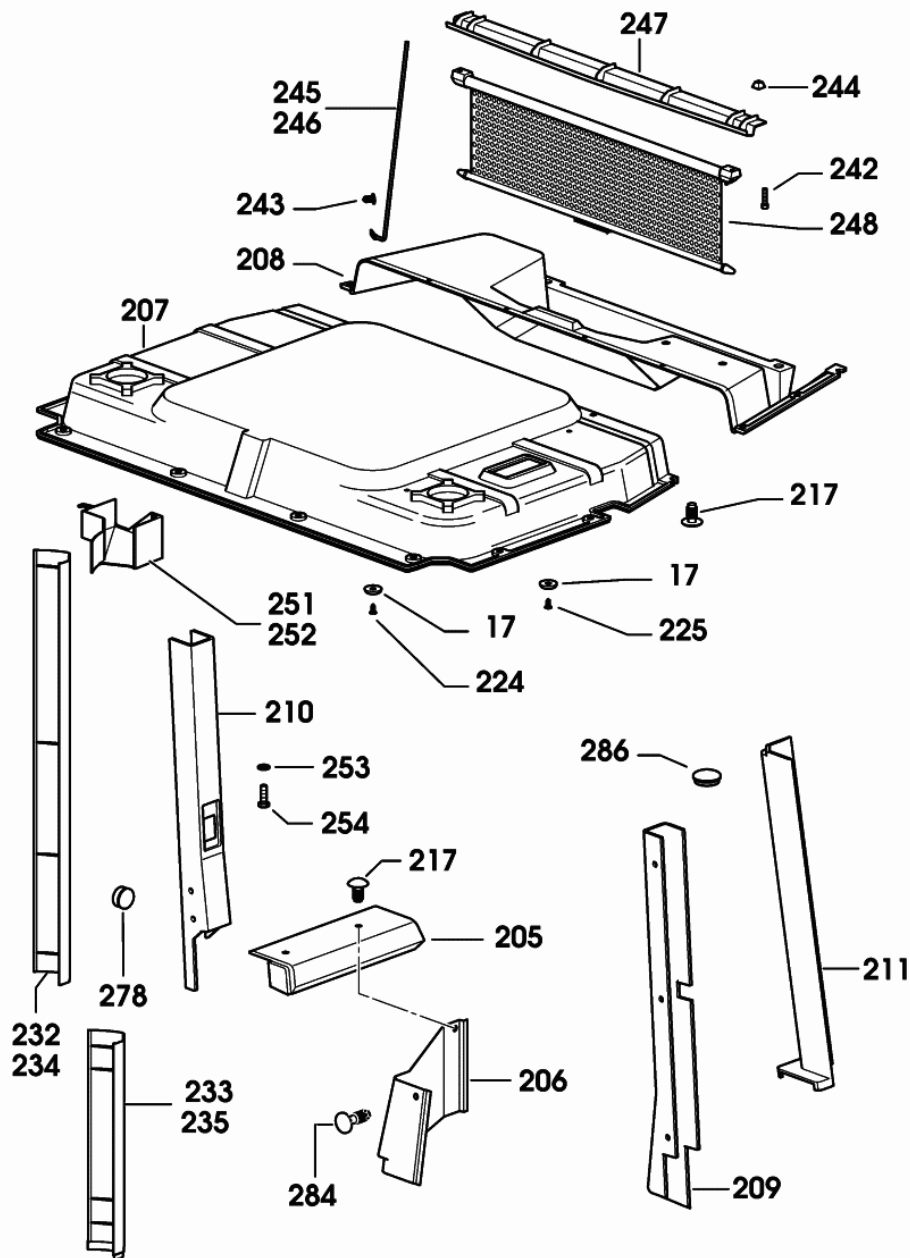


Fig.	Code	QTY	Name
17	2.1599.573.0	18	washer 5.4
205	0.009.0365.0/30	1	lining dx/rh/re
206	0.009.0340.0/10	1	guard
207	0.009.0343.0	1	inner cab roof panel
208	0.009.0344.0/50	1	inner cab roof panel
209	0.009.0362.0/30	1	cover sx/lh/li
210	0.009.0361.3/60	1	guard dx/rh/re
211	0.009.0364.0/30	1	cover sx/lh/li
217	2.3199.204.0	35	plug 10x22.5x22
224	2.0399.174.3	4	screw 4.8x16
225	2.0350.556.3	4	screw m 4.8 x 19 - C
232	0.009.0463.0/20	1	cover dx/rh/re
233	0.009.6775.0/10	1	cover dx/rh/re
234	0.009.0462.0/20	1	cover sx/lh/li
235	0.009.6795.0/10	1	cover sx/lh/li
242	2.0299.003.3	2	screw m 4x18
243	2.0350.454.3	2	screw m 4.2 x 13 -AB-
244	2.6999.028.2	2	special nut m 4
245	0.009.0534.4	1	rod dx/rh/re
246	0.009.0535.4	1	rod sx/lh/li
247	0.009.0530.0	1	cover
248	0.9237.343.4/10	1	roll-up sun-shade
251	0.009.0532.0/20	1	terminal sx/lh/li
252	0.009.0533.0/20	1	terminal dx/rh/re
253	2.1310.002.2	2	washer 6.6, d125
254	2.0332.407.3	2	screw m 6 x 20
278	2.3199.219.0	12	plug 10.4x22.5x22
284	0.008.2656.0	2	plug 11x37x22
286	2.3199.174.0	1	plug

Section: CAB  
**INTERIOR TRIM**

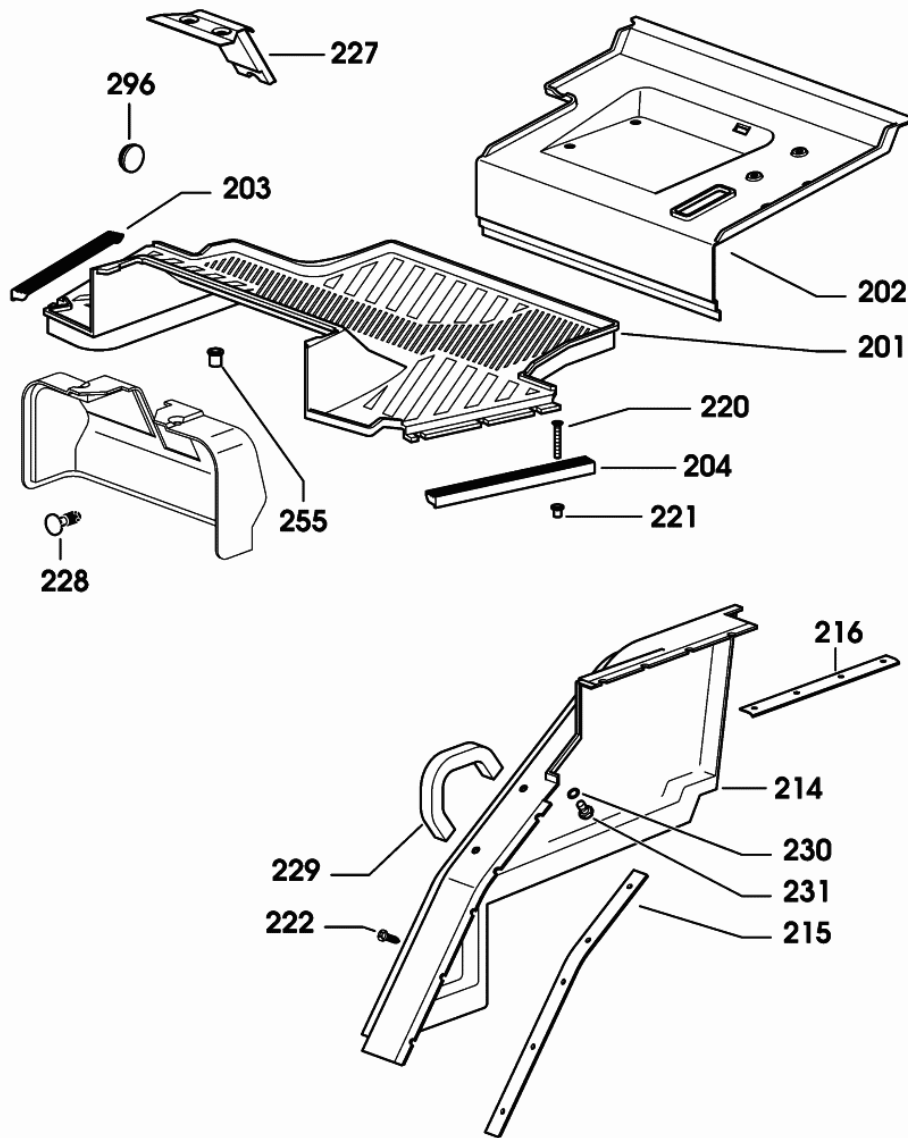


Fig.	Code	QTY	Name
201	0.012.1494.0	1	small carpet
202	0.012.1495.0/10	1	small carpet
203	0.009.0338.0/10	1	stop dx/rh/re
204	0.009.0339.0/10	1	stop sx/lh/li
214	0.009.0360.0/50	1	lift hand side panel sx/lh/li
215	0.009.0341.0/10	1	lining
216	0.009.0367.0/20	1	lining
220	2.0399.164.3	6	screw m 6 p.1 x 40
221	2.1142.004.2	6	insert m 6
222	2.0399.177.3	9	screw 4.2x25
227	0.009.0392.0/20	1	sound deadening
228	2.3199.198.0/10	7	plug 20x31
229	0.009.0724.3	1	handle sx/lh/li
230	2.1470.004.2	2	washer 8
231	2.0112.207.2	2	screw m 8 p 1.25 x 20
255	2.1140.021.2	1	insert m 8
296	0.010.1453.0	2	plug 22

9\_B2171\_20\_0\_L

Section: CAB

**INTERIOR TRIM**

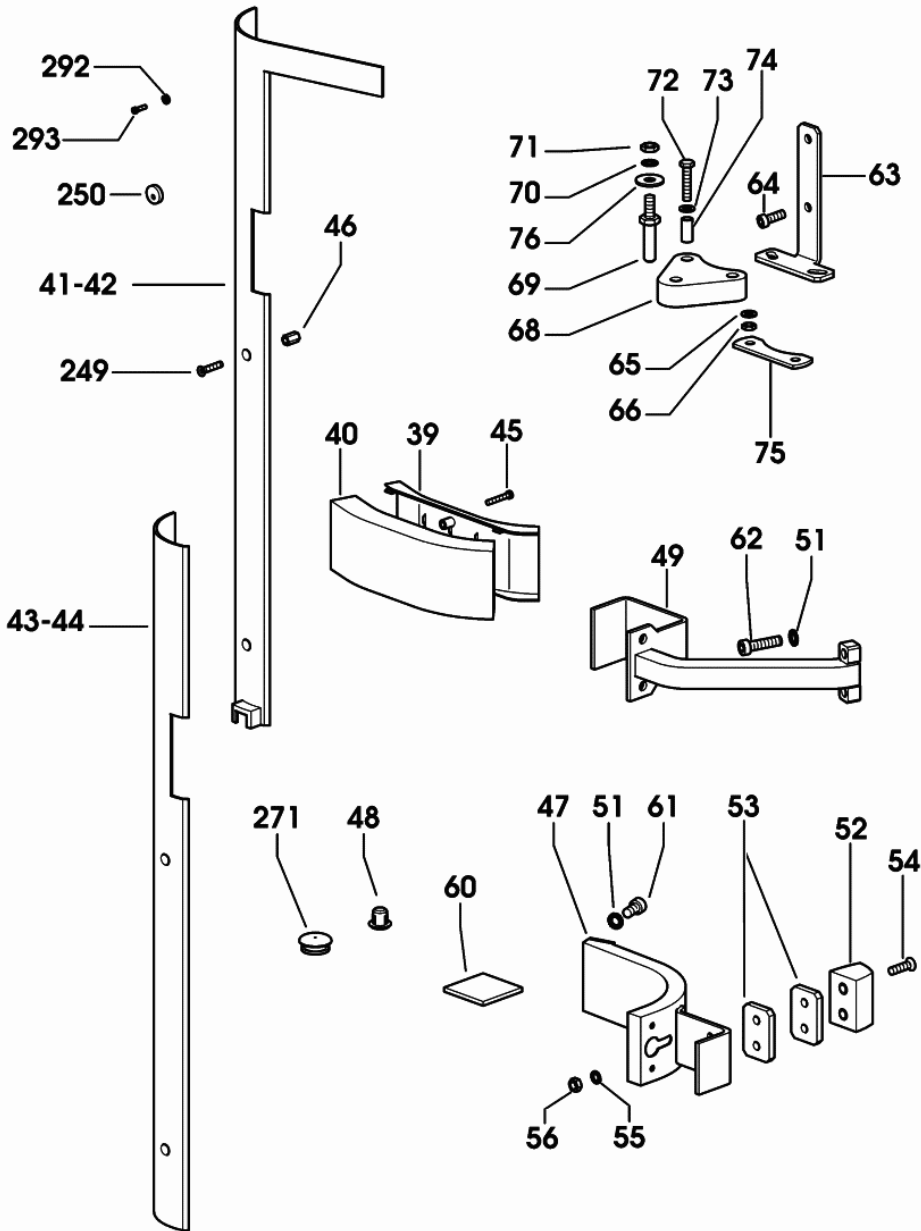
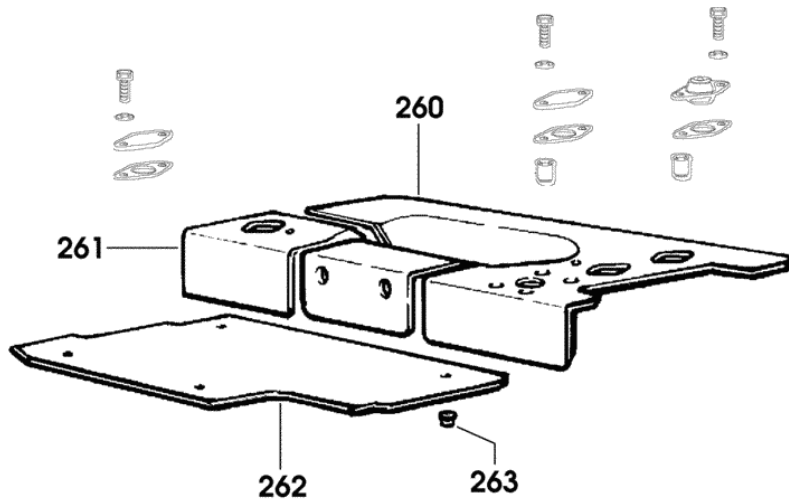


Fig.	Code	QTY	Name
39	0.008.2592.0/10	1	cover
40	0.008.2593.0/10	1	cover
41	0.010.1249.0	1	cover sx/lh/li
42	0.010.1251.0	1	cover dx/rh/re
43	0.008.2573.0/20	1	cover sx/lh/li
44	0.008.2576.0/20	1	cover dx/rh/re
45	2.0399.179.3	2	screw 4.8x32
46	2.1142.010.2	12	insert m 6
47	0.011.0112.2/10	1	lamp support sx/lh/li
48	2.3199.126.0/10	4	plug mm 15
49	0.010.0585.3/10	1	lamp support
51	2.1480.015.1	4	washer 10
52	0.010.0219.2/10	2	rubber plug
53	0.010.1339.0	4	spacer
54	2.0312.210.2	4	screw m 8 p 1.25 x 30
55	2.1474.009.2	4	spring washer 8
56	2.1011.105.2	4	nut m 8 p.1.25
60	0.009.3195.0	1	plug
61	2.0312.306.2	2	screw m 10 p.1.5 x 20
62	2.0312.314.2	2	screw m 10 p.1.5 x 40
63	0.011.3124.0	1	bracket
64	2.0362.308.3	2	screw m 8 x 25
65	2.1310.004.2	2	flat washer 8.5
66	2.1011.105.2	2	nut m 8 p.1.25
68	0.010.8826.0	1	anti-vibration mounting
69	2.1699.493.2	1	pin
70	2.1470.006.2	1	lock washer 10
71	2.1011.106.2	1	nut m 10 p.1.5
72	2.0112.215.2	2	screw m 8 p.1.25 x 40
73	2.1310.004.2	2	flat washer 8.5
74	2.1549.391.2	2	spacer 8.4x12x25
75	0.010.8827.0	1	small plate
76	2.1312.005.2	1	washer 10.2
249	2.0312.110.2	12	screw m 6 p.1x30
250	0.009.0541.0	12	plug
271	0.9241.563.0	1	plug 30x35x13.5
292	0.010.1292.0	2	small disc
293	2.0332.206.3	2	screw m 4 p.0.5x16

9\_B2171\_20\_0\_A

Section: CAB  
**INTERIOR TRIM**

Fig.	Code	QTY	Name
260	0.010.8458.0	1	sound deadening
261	0.009.0953.0	1	sound deadening dx/rh/re
262	0.009.0951.0/20	1	sound deadening
263	0.009.0911.0	8	nut

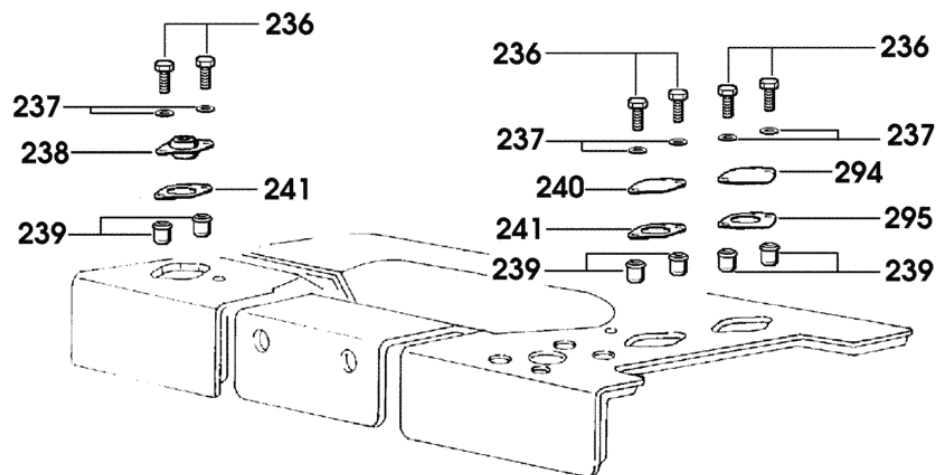


9\_B2171\_20\_0\_G



Section: CAB  
**INTERIOR TRIM**

Fig.	Code	QTY	Name
236	2.0112.205.2	8	screw m 8 p.1.25 x 16
237	2.1310.004.2	8	flat washer 8.5
238	0.009.1618.3	1	support
239	2.1142.005.2	8	insert m 8
240	0.009.0481.0	2	plate
241	0.009.0480.0	3	gasket
294	0.010.6196.0	1	small plate
295	0.010.6195.0	1	gasket

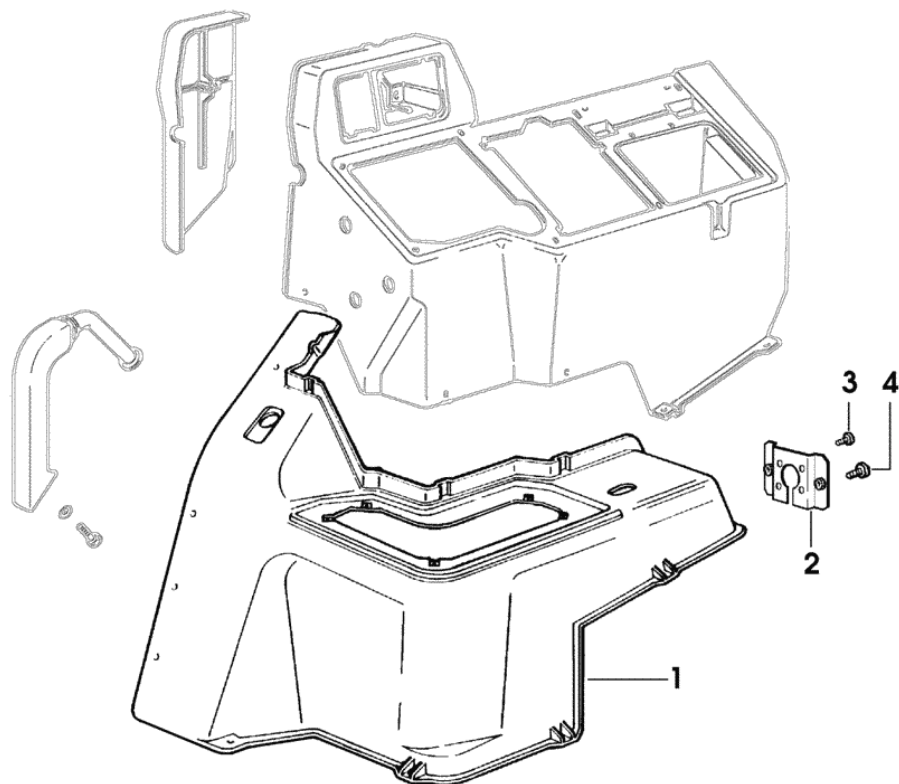


9\_B2171\_20\_0\_F

Section: CAB

**CONSOLE**

Fig.	Code	QTY	Name
1	0.009.2927.6/20	1	consolle
2	0.009.3015.2	1	small plate
3	2.0350.153.3	4	screw 2.9x9.5
4	2.0332.204.2	2	screw m 4x0.7x12

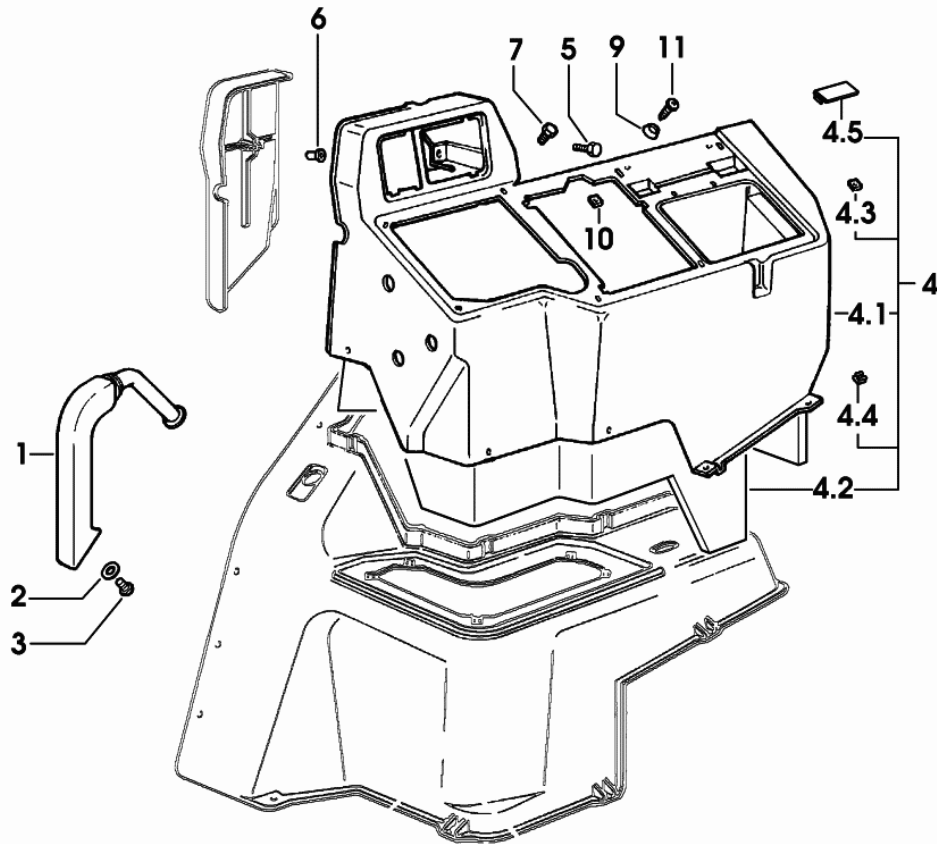


9\_49271\_23\_0\_0

Section: CAB

**RIGHT-HAND GRAB HANDLE**

Fig.	Code	QTY	Name
1	0.009.0261.3/10	1	handle dx/rh/re
2	2.1312.004.2	2	washer 8.4
3	2.0112.207.2	2	screw m 8 p 1.25 x 20
4	0.000.0000.1	0	not serviceable
4.1	0.009.0274.3/50	1	console
4.2	0.009.1499.0/20	1	sound deadening
4.3	2.6999.041.0	1	small spring
4.4	2.6999.040.0	8	special nut m 5
4.5	0.009.0500.0	1	plug 50x26
5	2.0342.207.3	1	screw m 6 p.1 x 25
6	2.1142.010.2	1	insert m 6
7	2.0342.107.3	8	screw m 5 p.0.8 x 25
9	0.257.7653.0	3	washer
10	2.6999.039.0/10	3	special nut 6.3
11	2.0350.757.6	3	screw m6.3x22xAB

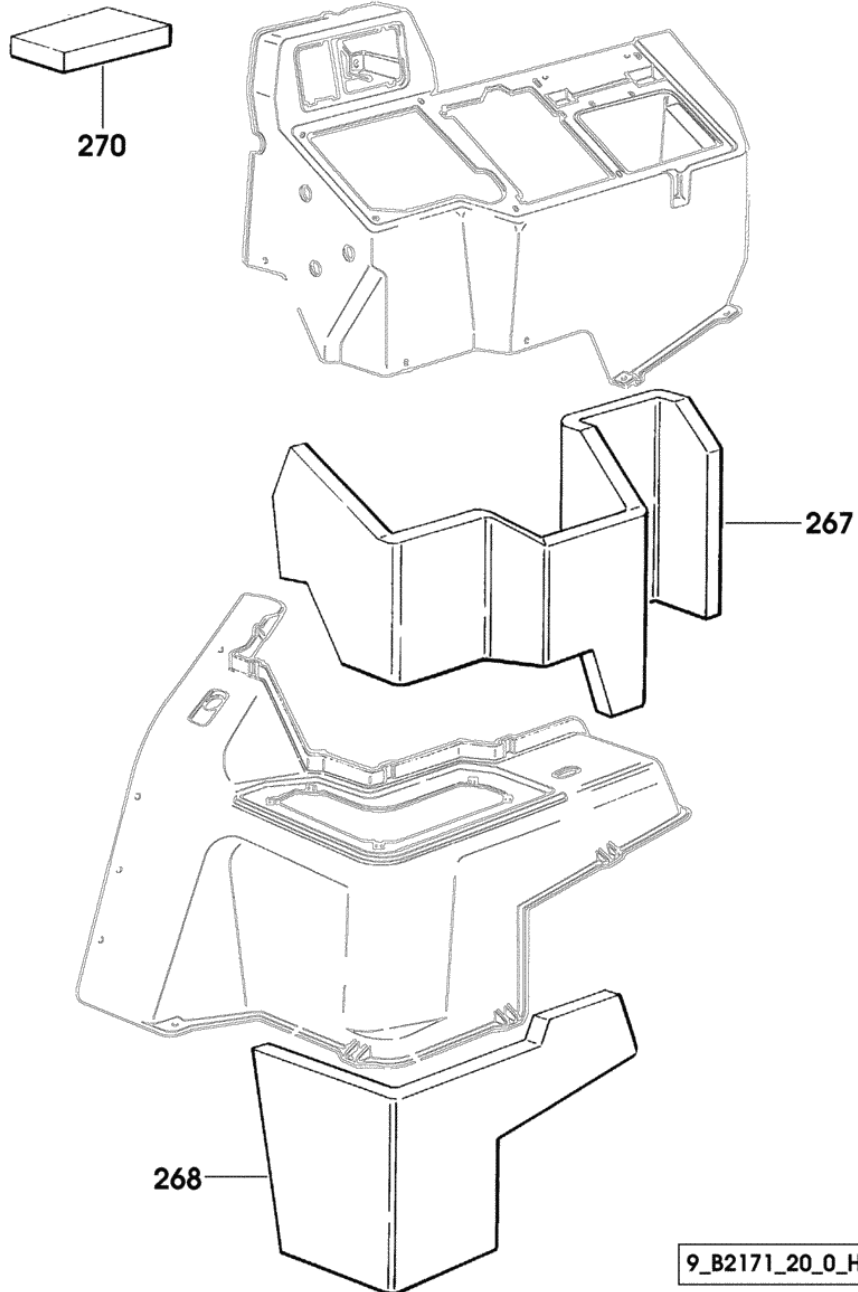


9\_52671\_22\_0\_0

Section: CAB

**CAB SOUNDPROOF PANELS**

Fig.	Code	QTY	Name
267	0.009.1499.0/20	1	sound deadening
268	0.009.1498.0	1	sound deadening
270	0.009.1496.0	1	sound deadening

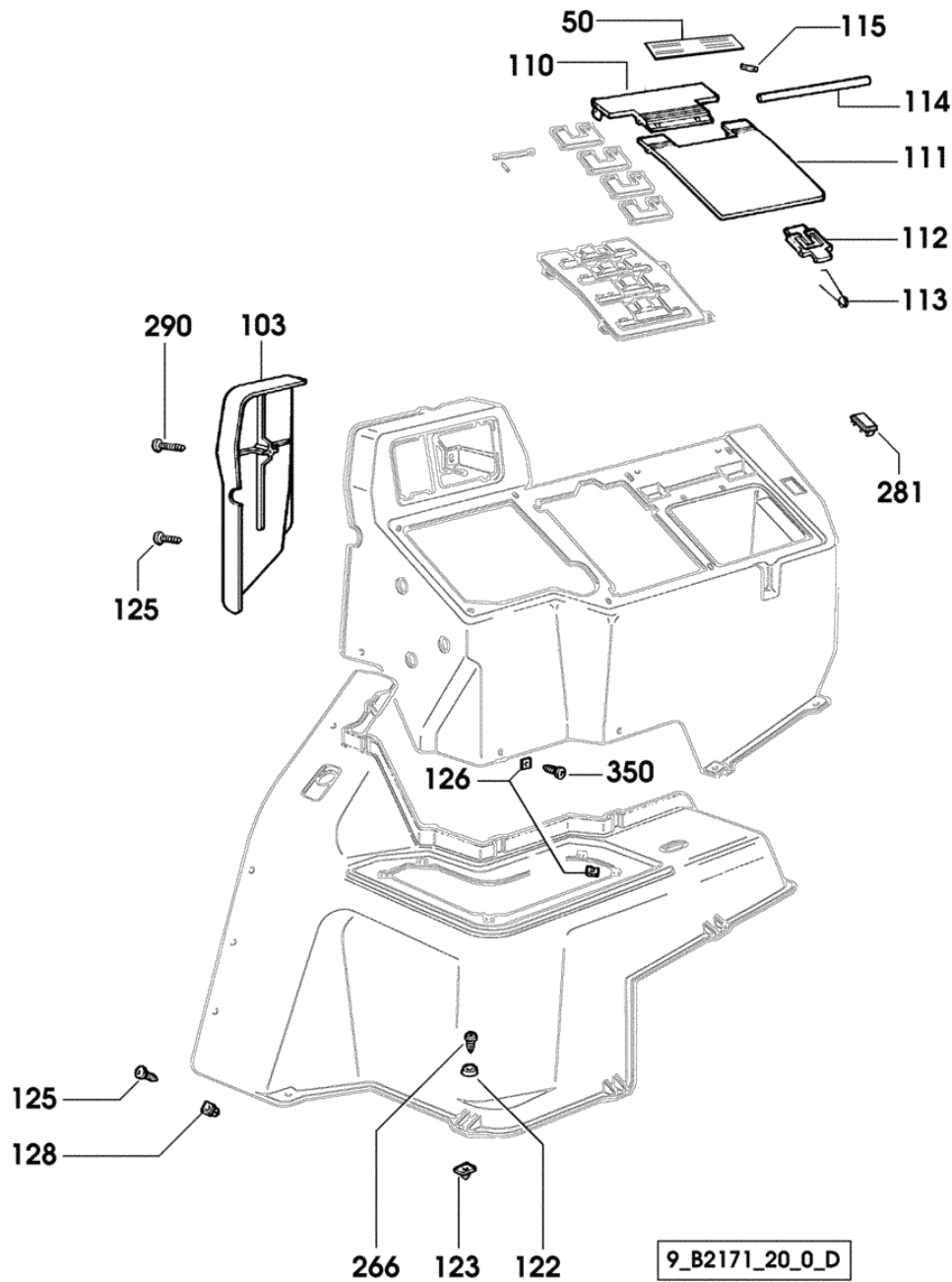


9\_B2171\_20\_0\_H

Section: CAB

**FIXINGS FOR CAB INTERIOR TRIM**

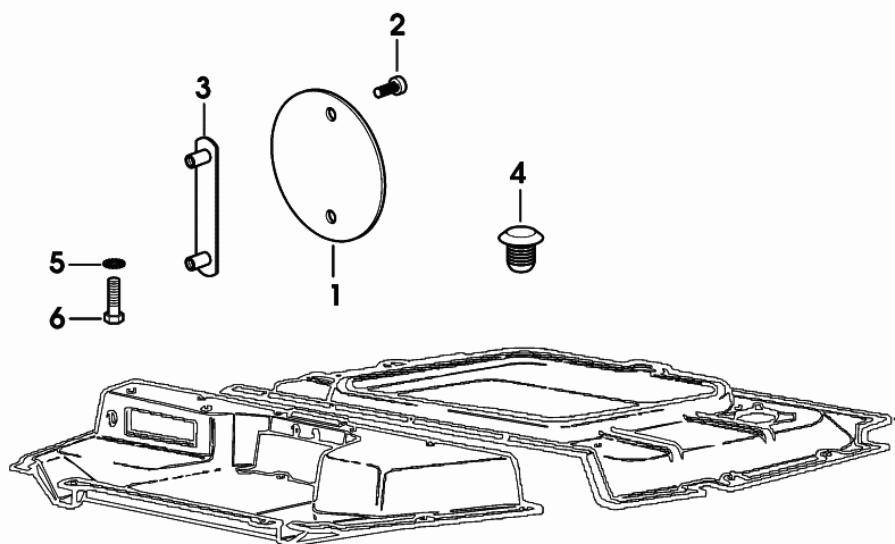
Fig.	Code	QTY	Name
50	2.9929.516.0	1	plate
103	0.009.0273.0/10	1	cover
110	0.009.0218.0	1	support
111	0.009.0219.0	1	panel
112	0.009.0226.0/10	1	push-button
113	0.009.0285.0/10	1	spring
114	2.1699.256.0	1	pin
115	2.1630.006.0	1	roll pin 2x12
122	0.257.7653.0	5	washer
123	2.6999.039.0/10	5	special nut 6.3
125	2.0352.407.3	7	screw m 4.2 x 22
126	2.6999.041.0	11	small spring
128	2.6999.038.0	4	special nut 4.2
266	2.0350.757.6	5	screw m6.3x22xAB
281	0.009.0500.0	1	plug 50x26
290	2.0332.211.3	1	screw m 4 x 40
350	2.0351.556.3	3	screw 4.8x19



Section: CAB

**CAB INSTALLATION COMPLETION**

Fig.	Code	QTY	Name
1	0.011.2218.0/10	1	small plate
2	2.0332.305.3	2	screw m 5x14
3	0.011.2617.3	1	bracket
4	2.3199.126.0/10	2	plug mm 15
5	2.1470.002.2	2	washer 6, d128
6	2.0112.007.2	2	screw m 6 p.1 x 20



9\_62071\_24\_0\_0

Section: CAB

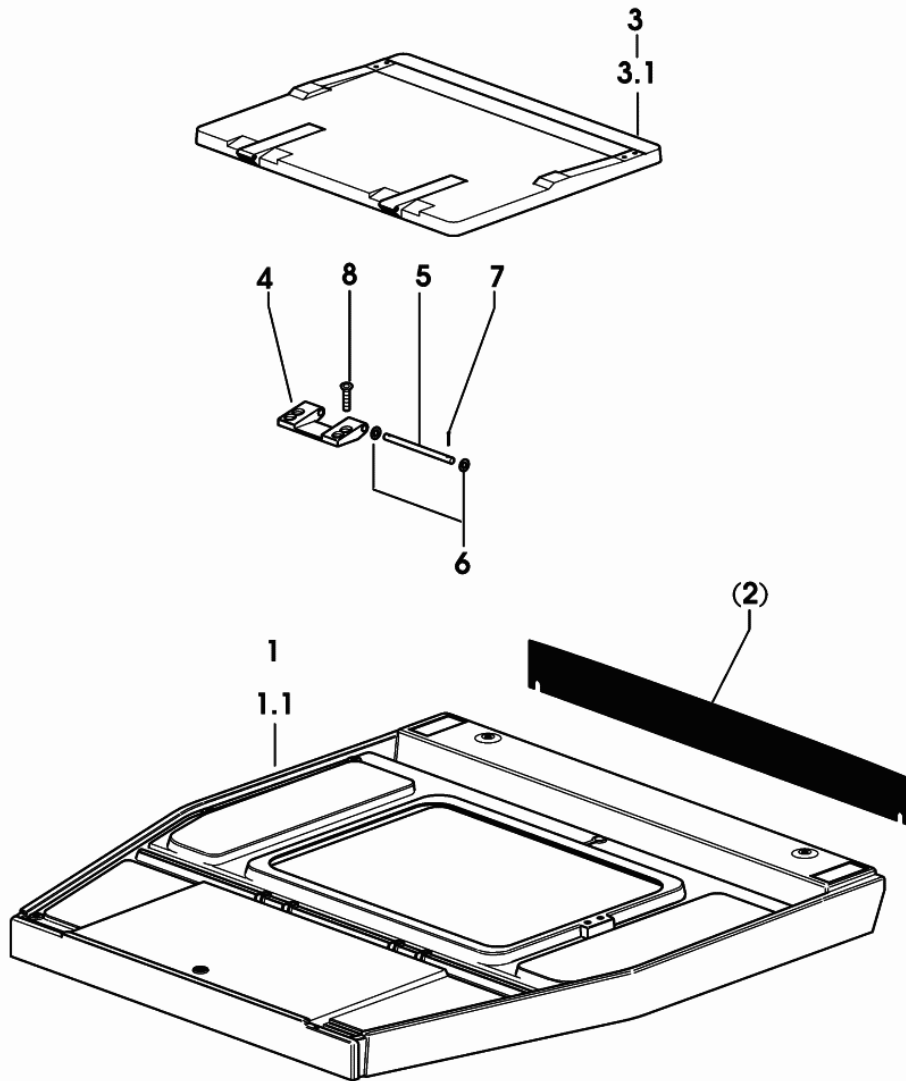
**CAB ROOF - COLOUR IVORY**

Fig.	Code	QTY	Name
------	------	-----	------

**Notes:**

(...) <- X SILVER 160    (...) <- X SILVER 180

1	0.000.0000.1	0	not serviceable
1.1	0.009.3037.3/20	1	roof
3	0.000.0000.1	0	not serviceable
3.1	0.9234.367.3/30	1	cover
4	0.9234.370.0	2	hinge peg
5	2.1660.324.2	2	pin 8x125x119
6	2.1310.004.2	4	flat washer 8.5
7	2.1690.206.2	4	split pin 2x16
8	2.0342.308.3	4	screw m 8 p.1.25 x 30



9\_16471\_22\_0\_0

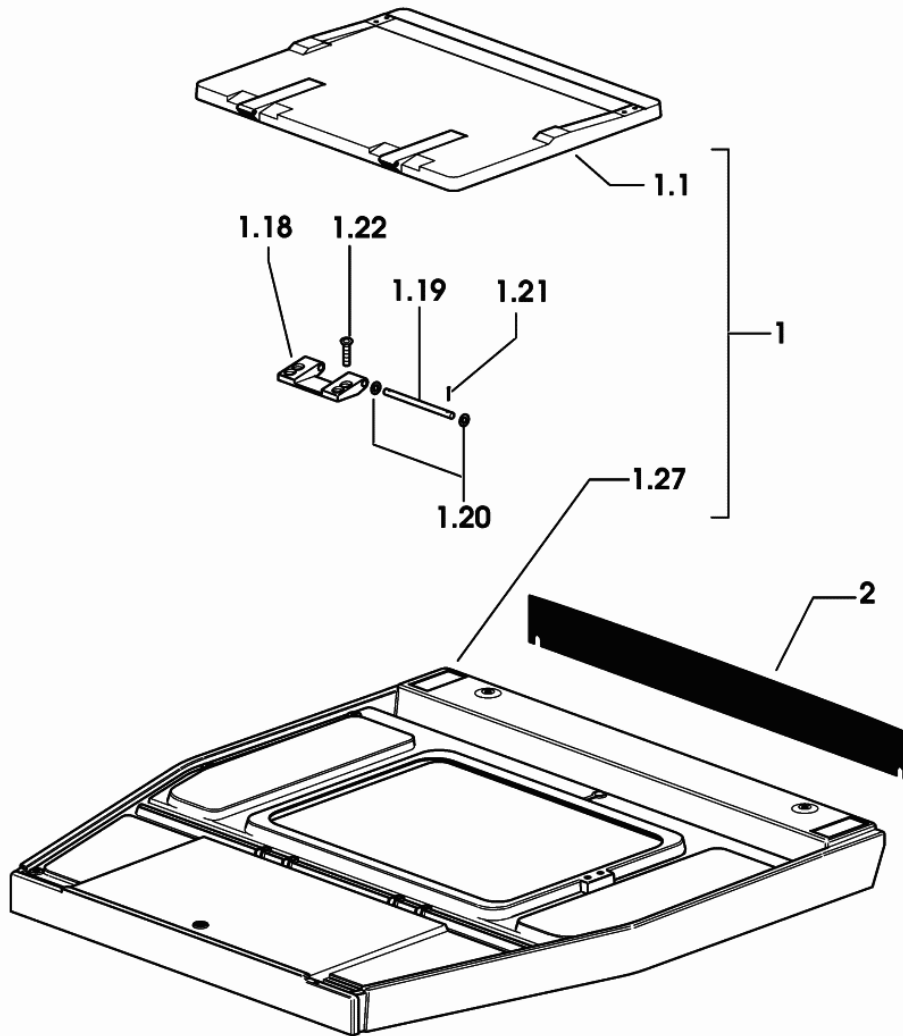
**ROOF WITH SKYLIGHT - SILVER COLOUR**

Fig.	Code	QTY	Name
------	------	-----	------

**Notes:**

-> (...) X SILVER 160 -> (...) X SILVER 180

1	0.000.0000.1	0	not serviceable
1.1	0.012.8898.3	1	cover
1.18	0.9234.370.0	2	hinge peg
1.19	2.1660.324.2	2	pin 8x125x119
1.20	2.1310.004.2	4	flat washer 8.5
1.21	2.1690.206.2	4	split pin 2x16
1.22	2.0342.308.3	4	screw m 8 p.1.25 x 30
1.27	0.010.8127.3/10	1	roof
2	0.009.0845.0/10	1	hose clip



9\_73271\_24\_0\_0



Section: CAB

ROOF COVERING FOR SKYLIGHT

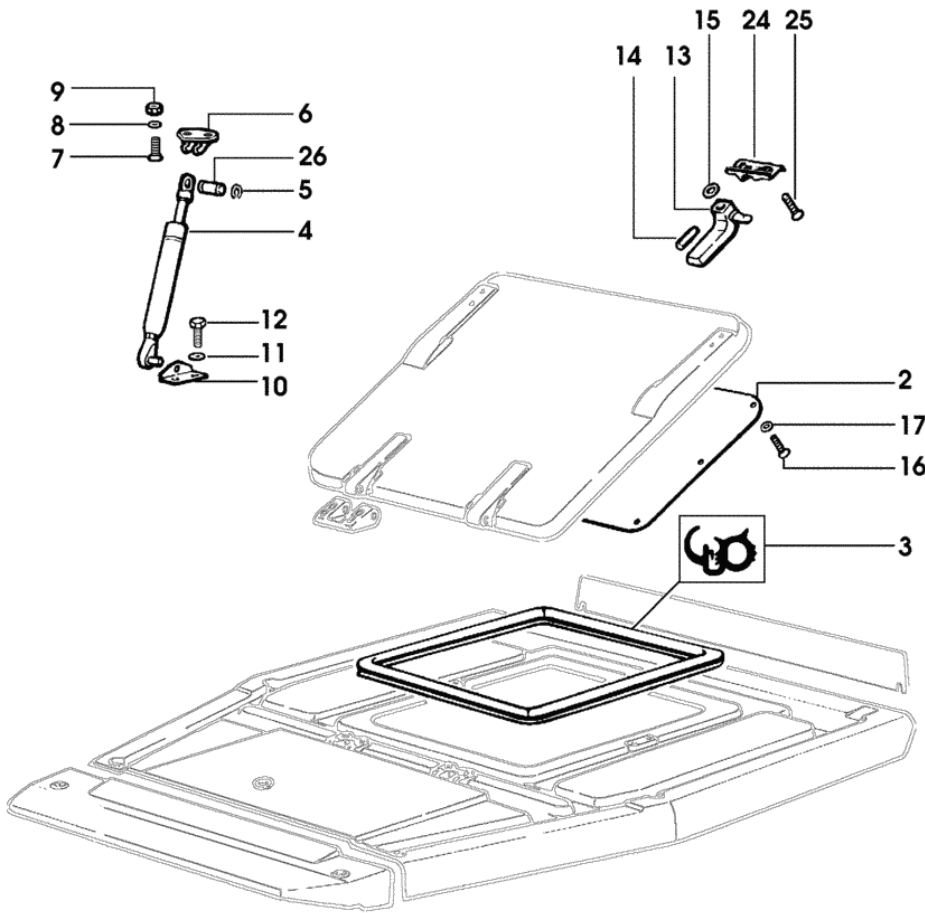
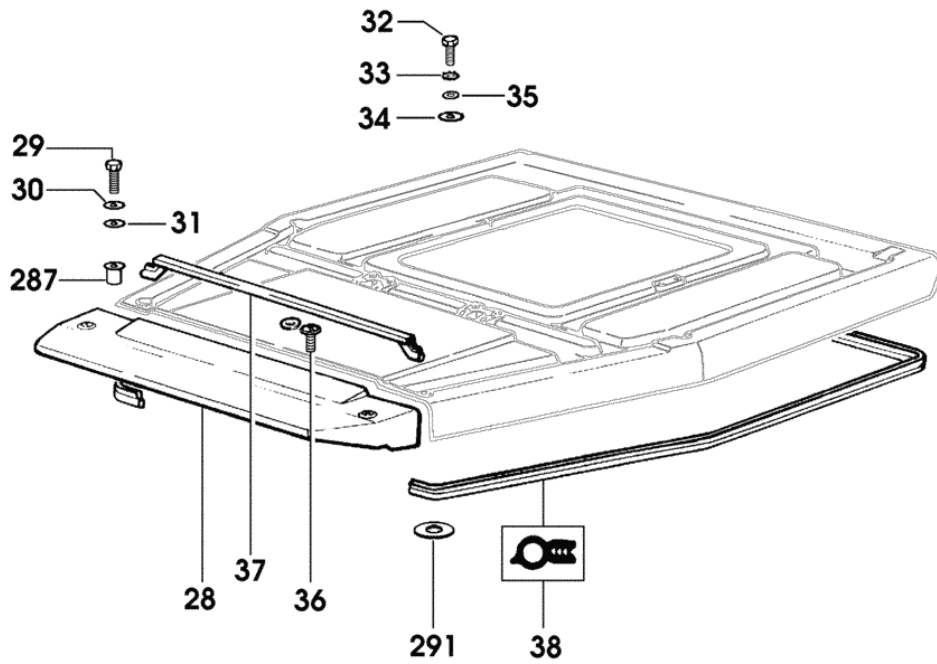


Fig.	Code	QTY	Name
2	0.009.0400.2	1	lining
3	0.9234.379.0/20	1	gasket
4	0.9234.373.4	2	shoch.absorber
5	2.1410.063.1	2	circlip 8
6	0.9234.371.0	2	small block
7	2.0342.208.3	4	screw m 6 p.1x30
8	2.1310.003.2	4	flat washer 7.4x14
9	2.1120.003.2	4	nut m 6
10	0.9234.375.3	2	square
11	2.1470.002.2	2	washer 6, d128
12	2.0112.005.2	4	screw m 6 p.1 x 16
13	0.9234.384.3/10	1	handle
14	2.1630.111.0	1	roll pin 2.5x24
15	2.1599.478.0	1	snoulder 13x28x1
16	2.0399.174.3	10	screw 4.8x16
17	2.1599.573.0	18	washer 5.4
24	0.008.2742.0	1	contact surface
25	2.0342.203.3	2	screw m 6 p.1.0 x 16
26	2.1699.285.2/20	2	pin

9\_B2171\_20\_0\_C

Section: CAB  
**ROOF COVERING**

Fig.	Code	QTY	Name
28	0.008.3072.0/20	1	roof (...) <- X SILVER 160 (...) <- X SILVER 180 - COLOUR IVORY
28	0.012.8900.0	1	roof -> (...) X SILVER 160 -> (...) X SILVER 180 - GREY
29	2.0112.211.2	3	screw m 8 p.1.25 x 30
30	2.1470.004.2	4	washer 8
31	2.1312.004.2	4	washer 8.4
32	2.0112.411.2	3	screw m 12 p.1.75 x 30
33	2.1470.007.2	4	lock washer 12
34	2.1310.012.2	1	washer
35	2.1312.006.2	3	washer 14.5
36	0.008.3255.0/10	6	screw m 8x22
37	0.98706.79.2/10	1	gasket
38	0.9237.354.0	1	gasket
287	2.1142.005.2	4	insert m 8
291	2.1599.706.0/10	4	washer 20x36x3

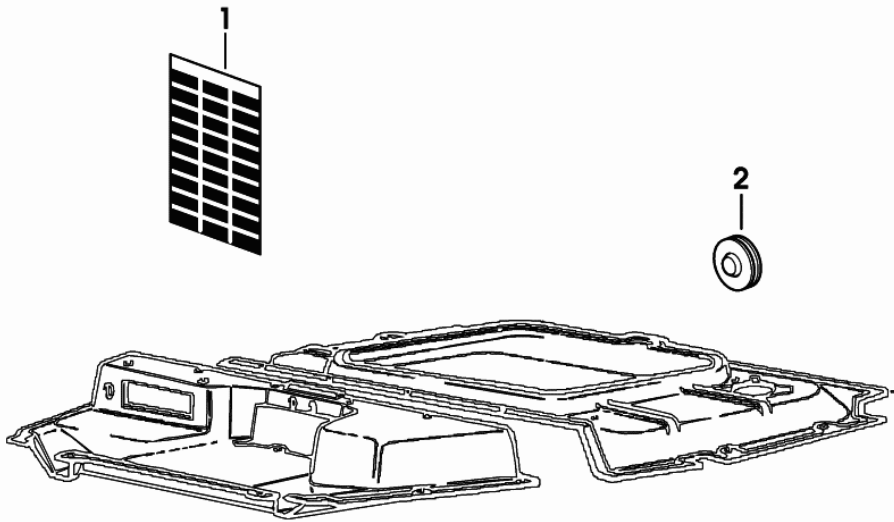


9\_B2171\_20\_0\_B

Section: CAB

**CAB INSTALLATION COMPLETION**

Fig.	Code	QTY	Name
1	0.010.1668.0	2	plate
2	2.6569.045.0	1	rubber plug 30x40x10



9\_52671\_28\_0\_0

Section: CAB

**EQUIPMENT FOR CAB TILTING**

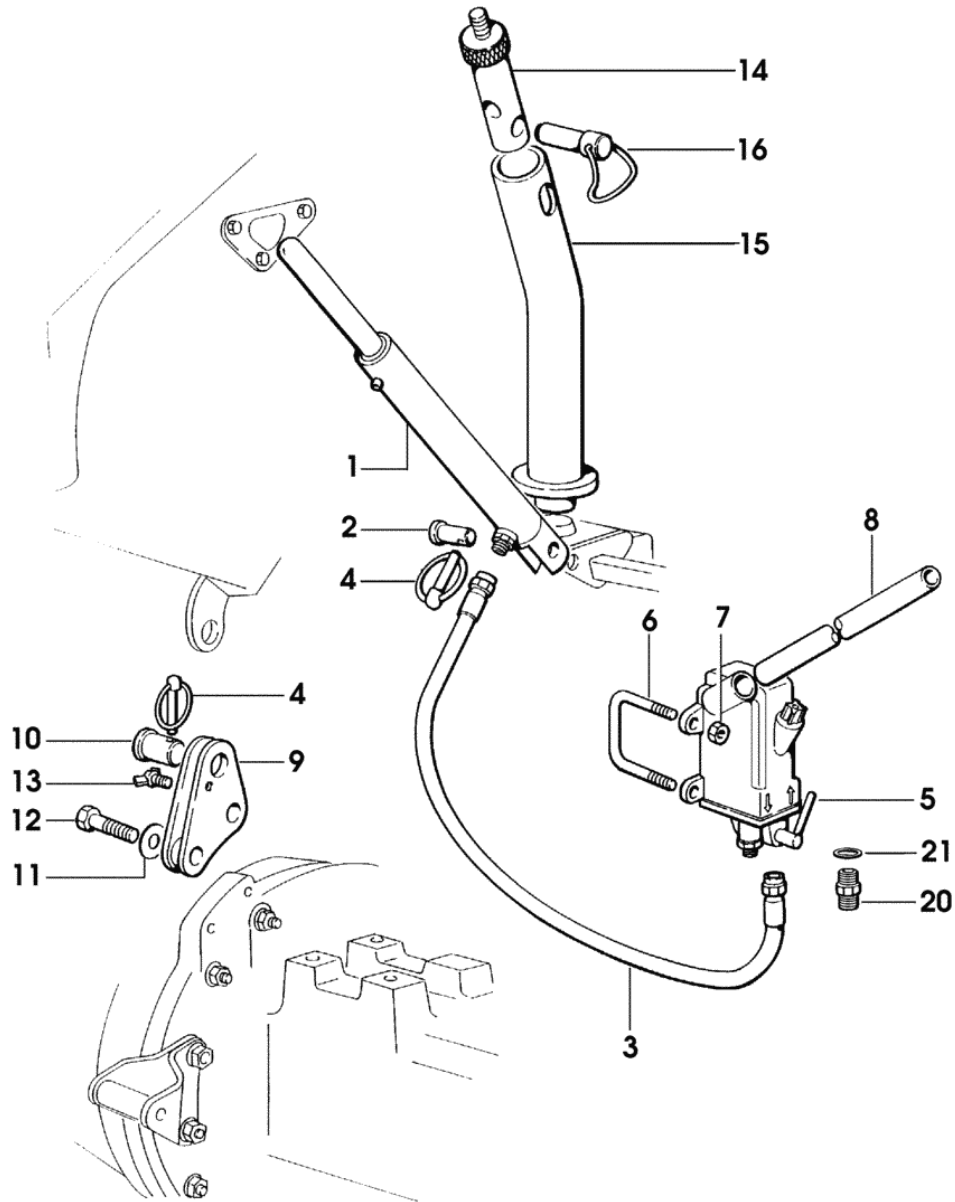


Fig.	Code	QTY	Name
1	0.009.1587.0/20	1	cylinder
2	2.1679.075.2	1	pin
3	0.009.1673.2/10	1	tube
4	0.009.1725.3	2	split pin
5	0.009.2247.4	1	oil pump
			COMPONENT PARTS SEE
			COMPONENTS LIST
			☞ 0.009.2247.4
			☞ 0B.00.50
6	0.009.1599.0	2	u bolt
7	2.1011.106.2	4	nut m 10 p.1.5
8	0.009.1611.0/10	1	lever
9	0.009.1600.2	2	bracket
10	2.1679.074.2	2	pin
11	2.1312.006.2	4	washer 14.5
12	2.0112.522.2	4	screw m 14 p.2x65
13	2.0370.503.2	2	screw m 10 p.1.5 x 20
14	0.009.1724.0/10	1	pin
15	0.009.1750.3	1	tube
16	0.760.3053.4	1	pin
20	2.3339.885.2	1	pipe fitting
21	2.1560.005.0	1	gasket 10.2 x 14

9\_49271\_70\_0\_0

Section: CAB  
**CAB AIR LINES**

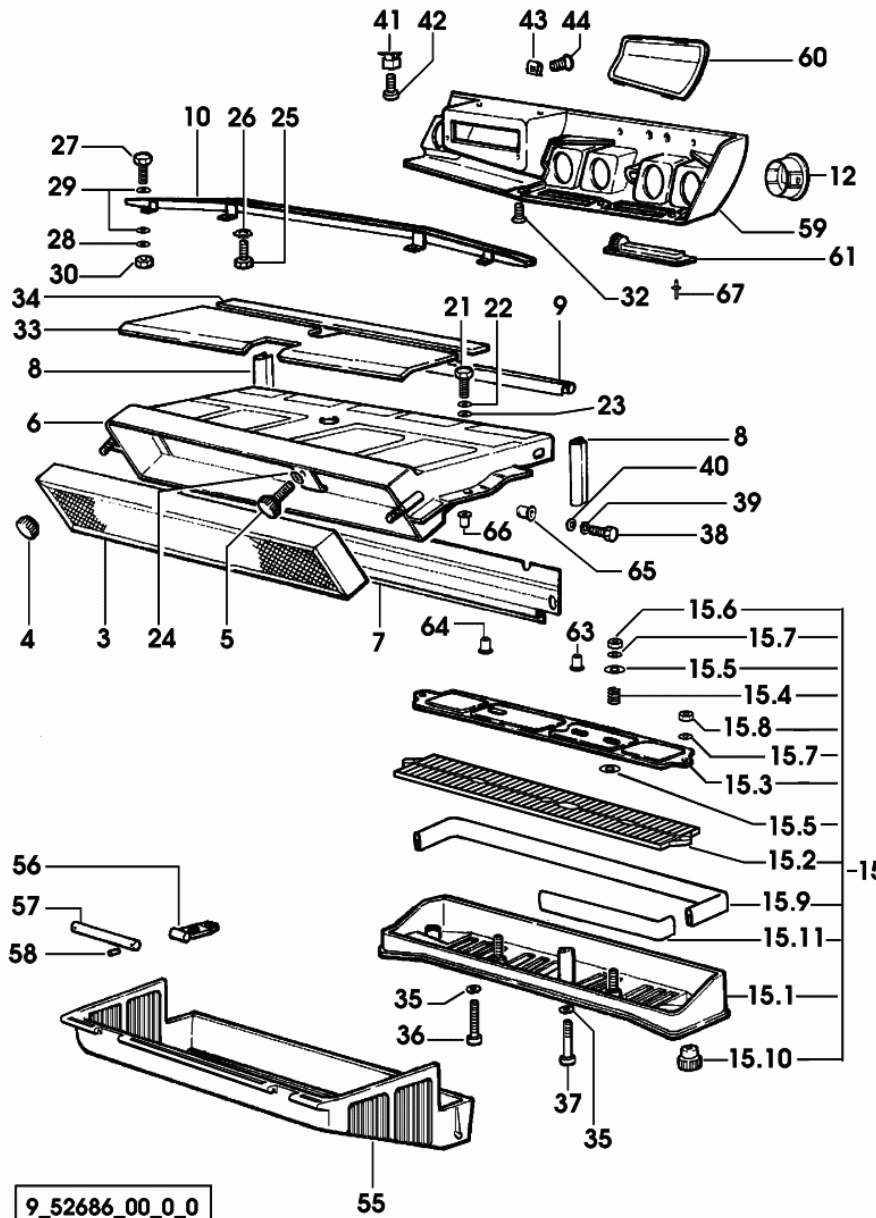


Fig.	Code	QTY	Name
3	0.98706.51.2	1	air filter
4	0.98706.54.2/10	2	knob
5	0.98706.53.2/10	1	knob
6	0.008.8023.3/20	1	duct
7	0.98706.78.0/40	1	gasket
8	0.98706.76.0/10	2	gasket
9	0.98706.77.0/20	1	gasket
10	0.98706.57.3	1	crosspiece
12	0.009.0455.4	4	tongue mm 67.5
15	0.98706.72.4/30	1	grille
15.1	0.98706.71.2/20	1	grille
15.2	0.98706.72.3/10	1	grille
15.3	0.98706.80.2	1	air filter
15.4	2.4019.318.2/10	2	spring 15.5x14.5x1.5
15.5	2.1599.283.0	4	snoulder 8.5x25x1.6
15.6	2.1120.003.2	2	nut m 6
15.7	2.1310.002.2	5	washer 6.6, d125
15.8	2.1011.103.2	3	nut m 6 p.1
15.9	0.011.6200.0	1	gasket
15.10	0.9030.664.0/10	3	knob
15.11	0.011.6199.0	2	gasket
21	2.0119.164.3	6	screw m 8 p.1.25 x 20
22	2.1470.004.2	6	washer 8
23	2.1310.004.2	6	flat washer 8.5
24	2.1311.012.2	1	flat washer 20
25	2.0119.157.3	4	screw m 8 p.1.25x50
26	2.1470.004.2	4	washer 8
27	2.0112.209.2	2	screw m 8 p 1.25 x 25
28	2.1470.004.2	2	washer 8
29	2.1310.004.2	4	flat washer 8.5
30	2.1011.105.2	2	nut m 8 p.1.25
32	2.0342.107.3	5	screw m 5 p.0.8 x 25
33	0.98706.88.0/10	1	panel
34	0.98706.89.0/10	1	panel
35	2.1310.002.2	5	washer 6.6, d125
36	2.0399.160.3	2	screw m 6 x 50
37	2.0399.161.3	4	screw m 6 x 70
38	2.0112.005.2	2	screw m 6 p.1 x 16
39	2.1470.002.2	2	washer 6, d128
40	2.1310.002.2	2	washer 6.6, d125
41	2.6999.033.2	2	special nut m 5
42	2.0399.169.3	2	screw m 5 p.0.8 x 25
43	2.6999.061.0	2	small spring 4.2
44	2.0399.178.3	2	screw m 4.2 x 19 -AB-

Section: CAB  
**CAB AIR LINES**

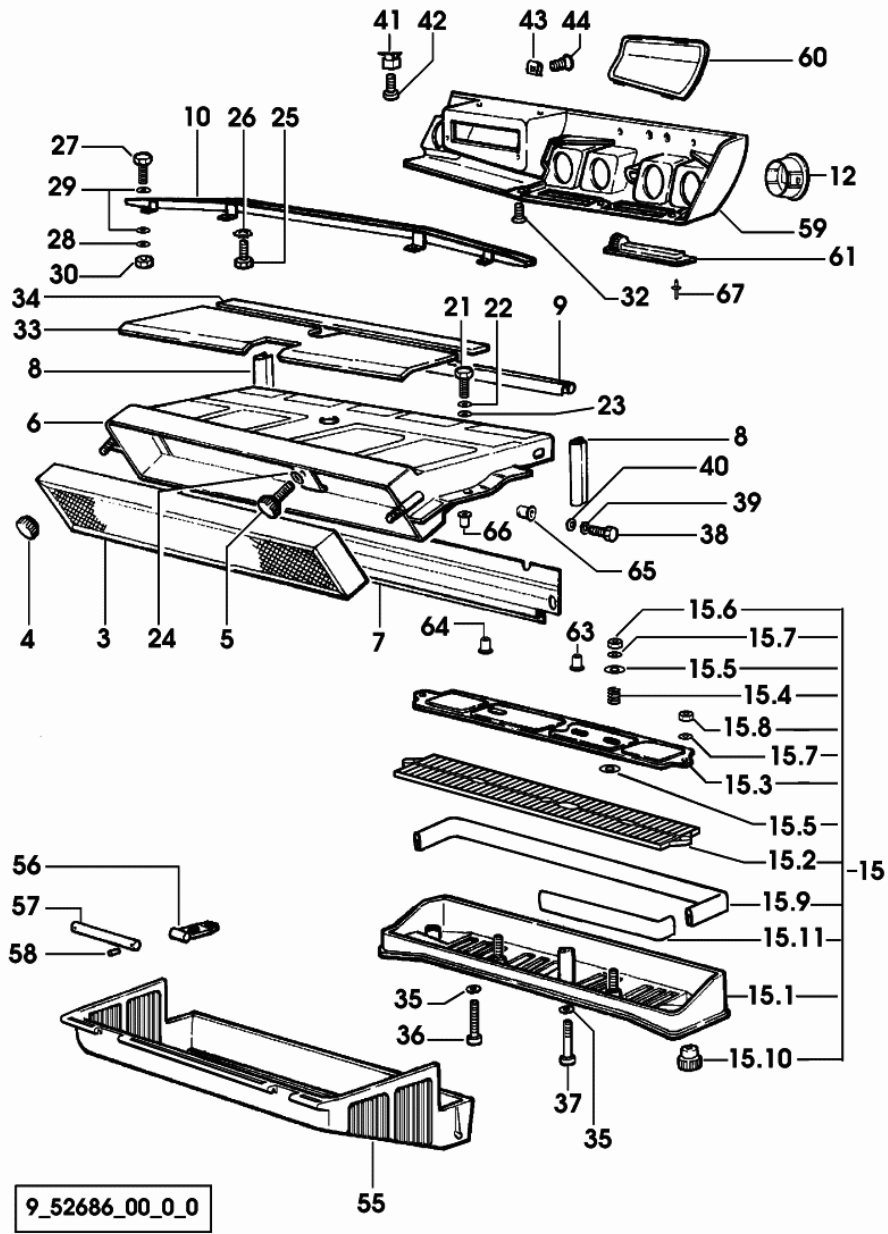


Fig.	Code	QTY	Name
55	0.008.1979.0	1	front grille
56	0.009.0440.0	2	belt
57	2.1699.251.0/10	2	pin
58	2.1630.005.0	2	pin 2x10
59	0.009.0347.0/30	1	front grille
60	0.009.0346.0	1	cover
61	0.009.0510.4	2	tongue
63	2.1142.004.2	4	insert m 6
64	2.1142.010.2	1	insert m 6
65	2.1142.004.2	2	insert m 6
66	2.1142.011.2	6	insert m 8
67	2.1899.080.0	4	rivet 4x17.9

Section: CAB

**CAB DUCTWORKS AND SOUNDPROOFING**

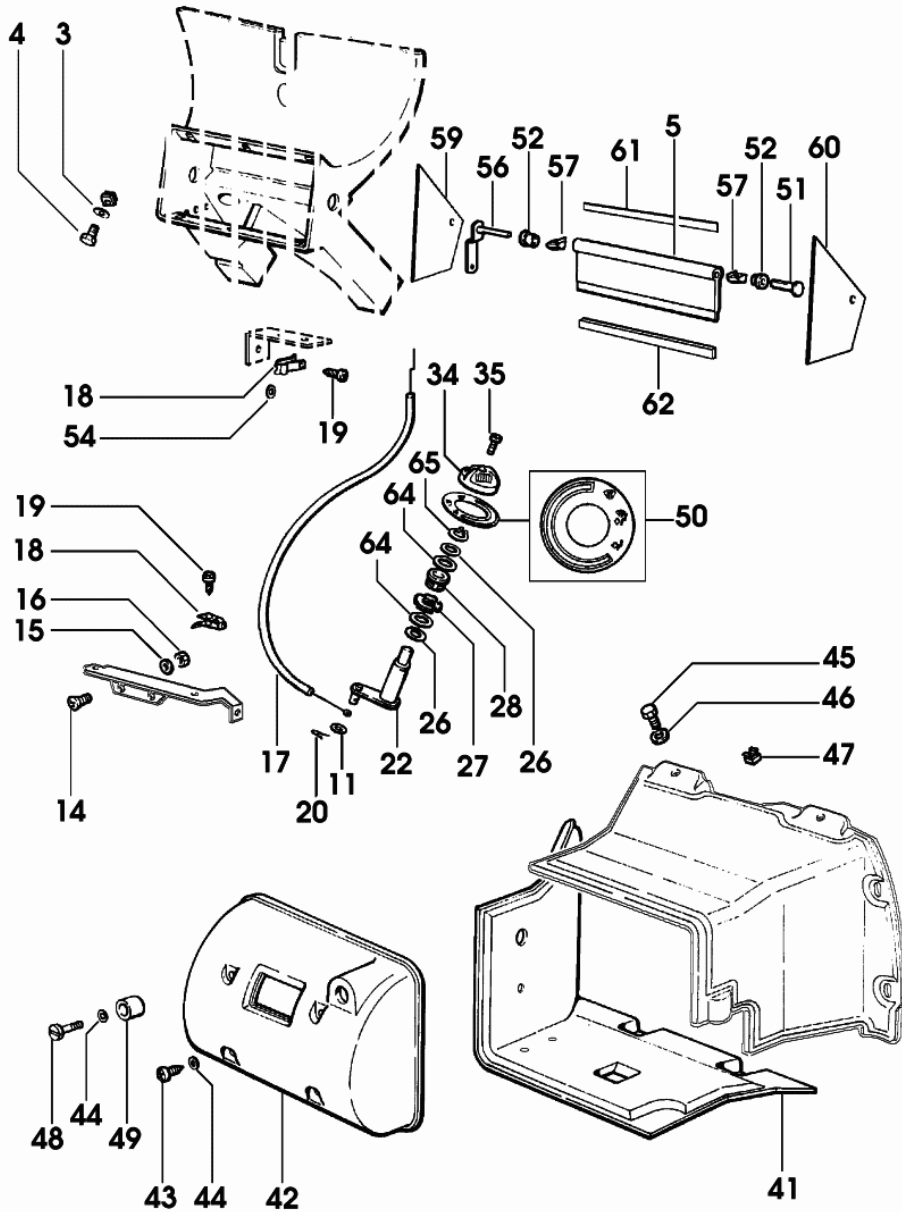


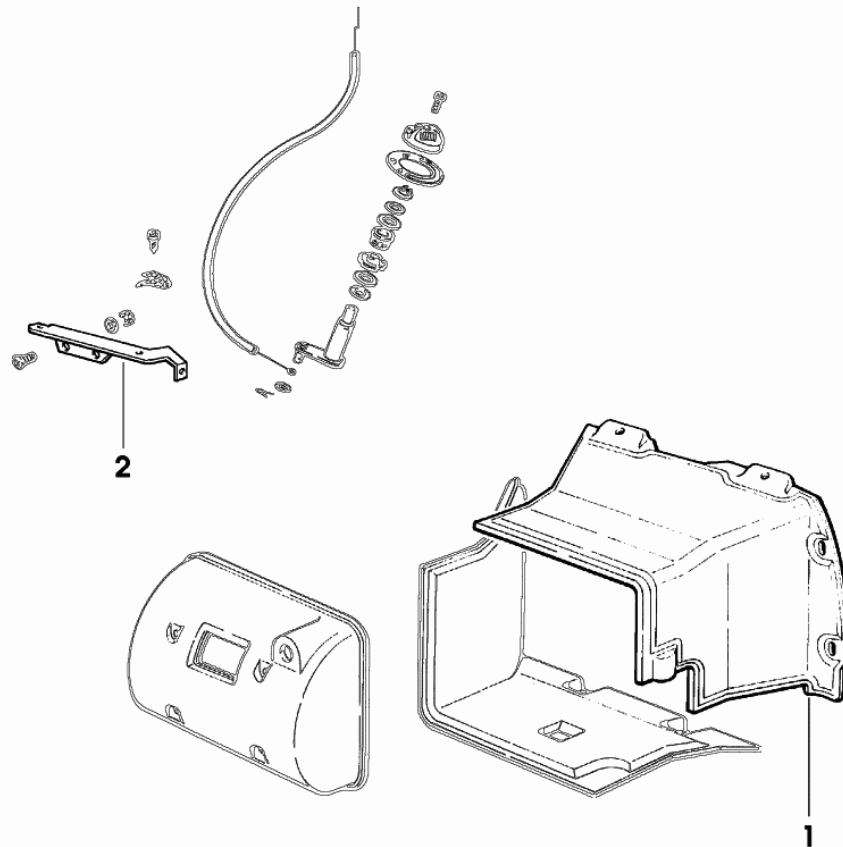
Fig.	Code	QTY	Name
3	2.1310.002.2	6	washer 6.6, d125
4	2.0112.005.2	6	screw m 6 p.1 x 16
5	0.009.0471.0/30	1	switch
11	2.1310.001.2	1	flat washer 5.3
14	2.0322.407.6	2	screw m 6 x 20
15	2.1310.002.2	2	washer 6.6, d125
16	2.1011.103.2	2	nut m 6 p.1
17	0.009.0473.0/30	1	rod
18	0.98551.51.0	2	small spring
19	2.0350.454.6	2	screw m 4.2 x 13 -AB-
20	2.1690.106.2	1	split pin 1.6x16
22	0.009.9816.3	1	pin
26	2.1599.526.0	2	washer
27	2.1220.005.2	1	ring nut 20 p.1
28	2.1559.216.2/10	1	bushing
34	0.009.0964.0	1	knob
35	2.0332.103.2	1	screw m 3x10
41	0.007.7183.0/10	1	division
42	0.009.0396.0/30	1	cover
43	2.0350.757.6	3	screw m6.3x22xAB
44	2.1310.002.2	4	washer 6.6, d125
45	2.0112.007.2	8	screw m 6 p.1 x 20
46	2.1310.002.2	8	washer 6.6, d125
47	2.6999.003.2	8	special nut m 6
48	2.0350.760.6	1	screw 6.3x38
49	2.1579.879.2	1	spacer 12x20x19
50	0.009.0650.0/30	1	plate
51	0.009.3643.0	1	pin
52	2.1559.217.0/10	2	bushing 5x8x5.5
54	2.1311.003.2	4	flat washer 5
56	0.009.3643.3	1	hinge dx/rh/re
57	0.009.9868.0	2	small spring
59	0.009.3646.0/10	1	gasket dx/rh/re
60	0.009.3647.0/10	1	gasket sx/lh/li
61	0.009.3645.0/10	1	gasket
62	0.009.3644.0/10	1	gasket
64	2.1499.139.0	2	washer 10
65	2.1410.001.1	1	circlip 10

9\_62086\_11\_0\_A

Section: CAB

**CAB DUCTWORKS AND SOUNDPROOFING**

Fig.	Code	QTY	Name
1	0.009.0394.0	1	sound deadening
2	0.009.0472.0/20	1	bracket

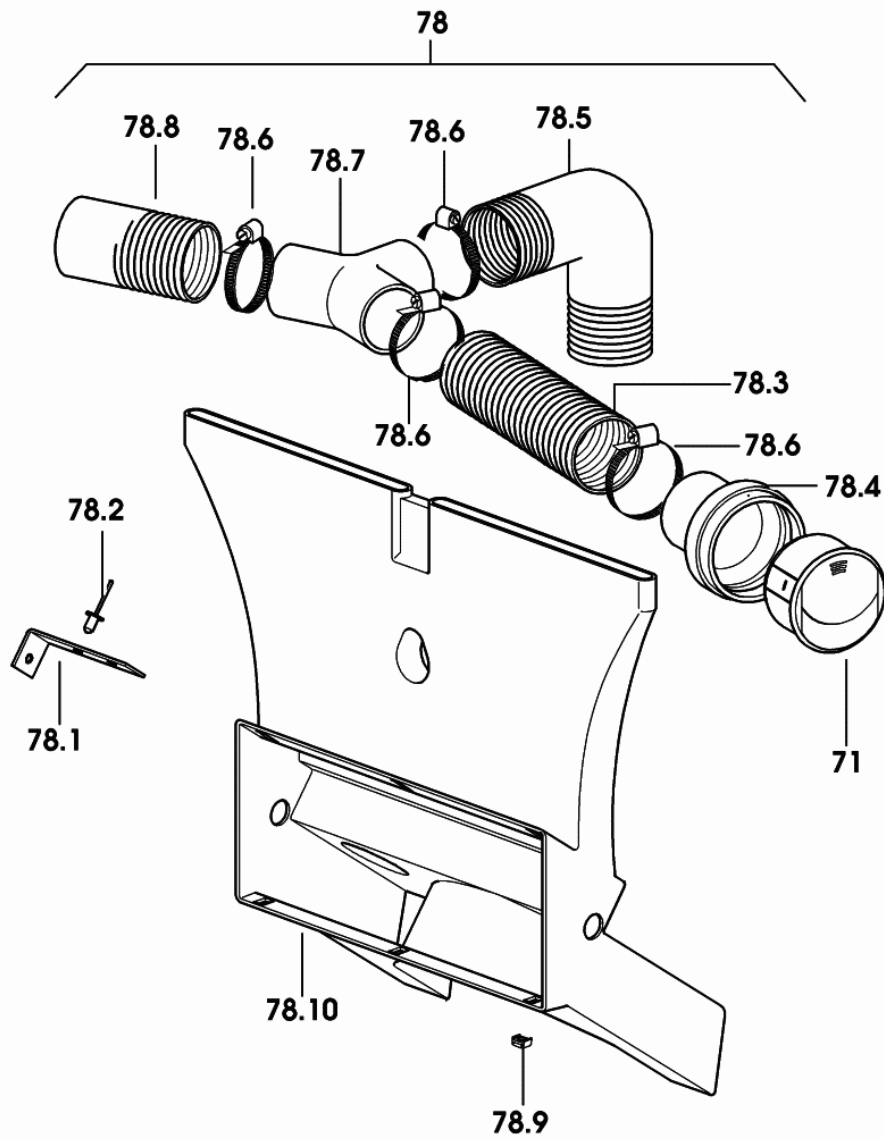


9\_52686\_13\_0\_0



Section: CAB

**CAB DUCTWORKS AND SOUNDPROOFING**

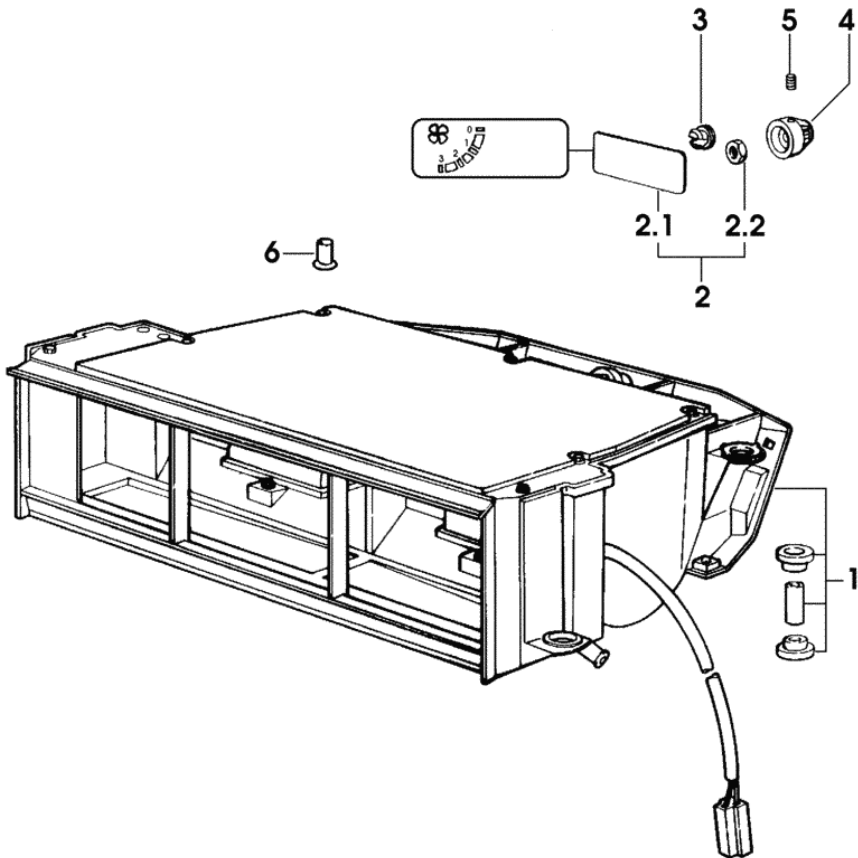


9\_62086\_11\_0\_B

Fig.	Code	QTY	Name
71	0.010.9724.4/10	2	blower
78	0.000.0000.1	0	not serviceable
78.1	0.009.3648.0/10	1	bracket
78.2	2.1899.048.0	2	rivet mm 4.8
78.3	0.010.9697.0/10	1	tube mm 180
78.4	0.010.9668.0/10	2	sleeve
78.5	0.010.9736.0/10	1	tube mm 240
78.6	2.6851.005.0	6	clamp Ø 40/60
78.7	0.010.9669.0	1	sleeve
78.8	0.010.9696.0/10	1	tube mm 300
78.9	2.6999.003.2	6	special nut m 6
78.10	0.009.0325.0/50	1	duct

Section: CAB  
**CAB VENTILATION**

Fig.	Code	QTY	Name
1	0.98711.50.4/20	1	fan COMPONENT PARTS SEE COMPONENTS LIST ☞ 0.98711.50.4/20 ☞ 0B.00.51
2	0.009.0456.4/10	1	control grp.
2.1	0.009.0698.0/10	1	plate
2.2	2.1019.081.0	1	nut m 11 p.1.25
3	2.3199.107.0	1	plug 14x12.5
4	0.009.0950.0/10	1	knob
5	2.0599.073.1	1	screw m 4 x 8
6	2.1142.005.2	2	insert m 8



9\_52686\_01\_0\_0

9\_B2186\_20\_0\_B

SILVER 160

Ref.: 0B.00.42

Section: CAB

**VENTILATION - AIR CONDITIONING**

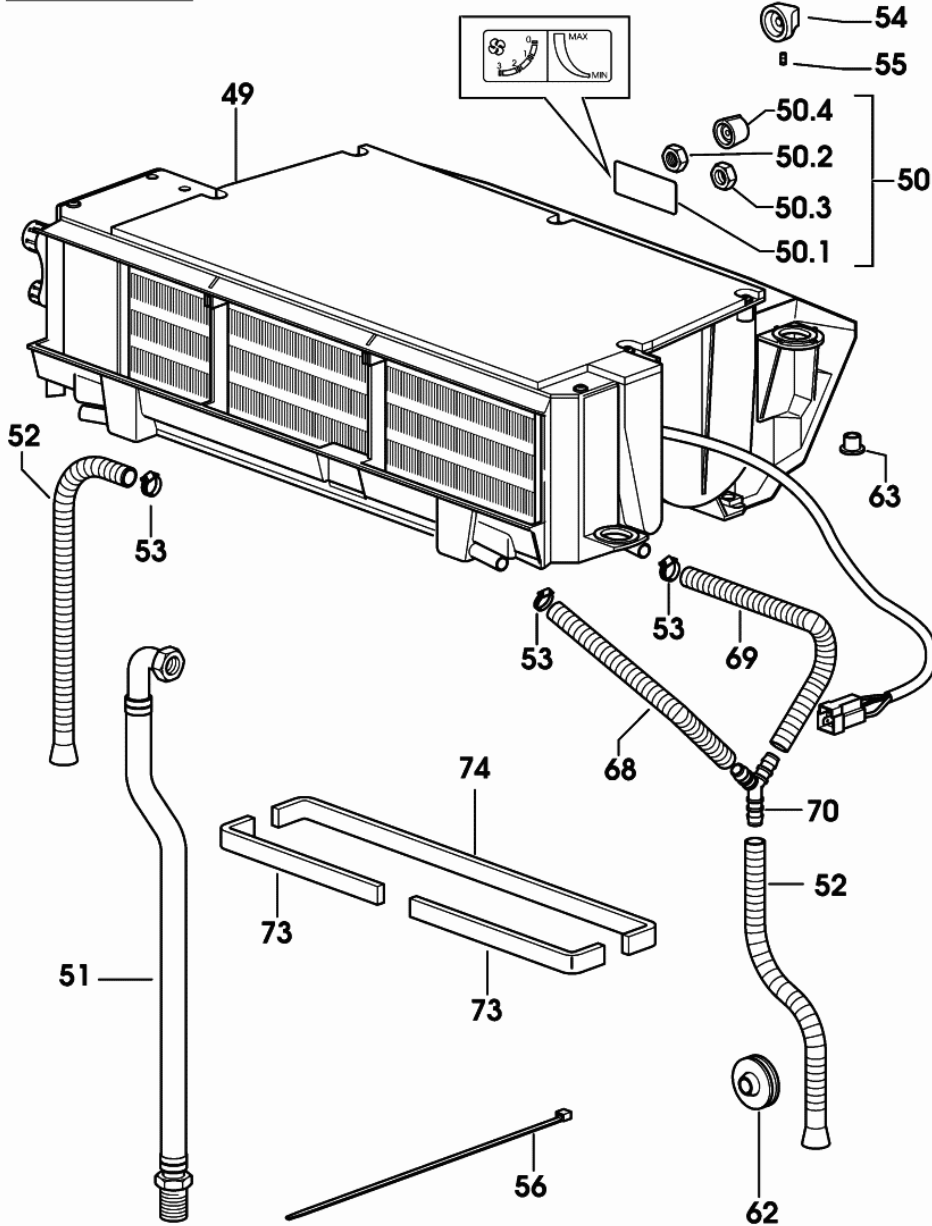
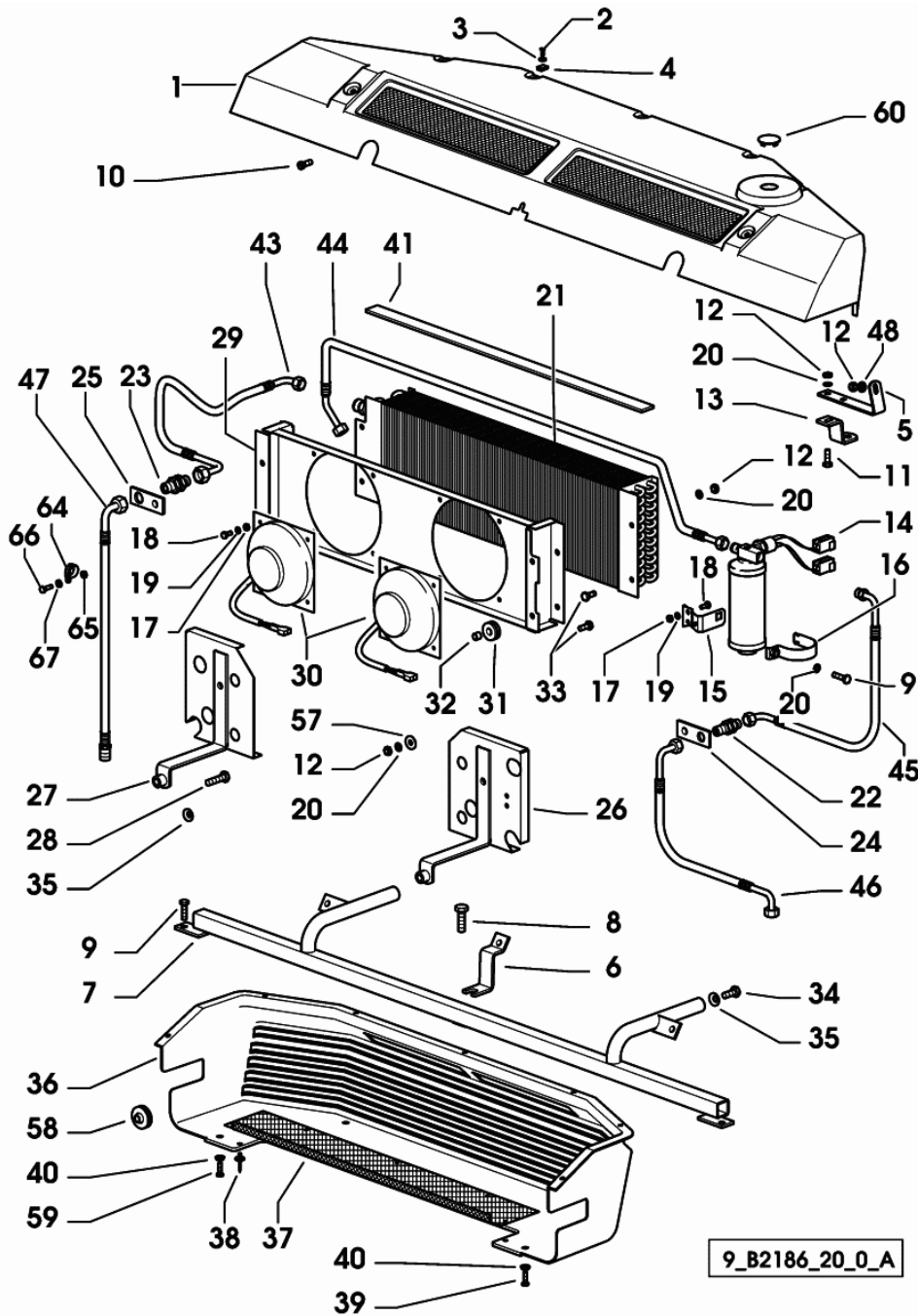


Fig.	Code	QTY	Name
49	0.007.6840.4/20	1	climatization kit COMPONENT PARTS SEE COMPONENTS LIST ☞ 0.007.6840.4/20 ☞ 0B.00.52
50	0.009.0457.4/10	1	control grp.
50.1	0.009.0697.0/10	1	plate
50.2	2.1019.081.0	1	nut m 11 p.1.25
50.3	2.1019.088.0	1	special nut m 11 p.0.75
50.4	0.009.0699.2	1	knob
51	0.007.7977.3/20	1	tube
52	0.011.6177.3	2	exhaust
53	2.6850.002.0	4	clamp 12-22
54	0.009.0950.0/10	2	knob
55	2.0599.073.1	2	screw m 4 x 8
56	0.98503.67.0	7	clamp
62	2.6569.035.0/10	1	wire guide 15x30x10
63	2.1142.005.2	2	insert m 8
68	0.011.6180.0	2	tube mm 205
69	0.011.6179.0	2	tube mm 235
70	0.011.6181.0	2	pipe fitting
73	0.011.6199.0	2	gasket
74	0.011.6200.0	1	gasket

Section: CAB  
**VENTILATION - AIR CONDITIONING**



9\_B2186\_20\_0\_A

Fig.	Code	QTY	Name
1	0.009.2910.2/10	1	cover (...) <- X SILVER 160 (...) <- X SILVER 180 - COLOUR IVORY
1	0.010.8125.2/10	1	cover -> (...) X SILVER 160 -> (...) X SILVER 180 - GREY
2	2.0350.556.3	7	screw m 4.8 x 19 - C
3	2.1310.002.3	7	flat washer 6.4 x 12 x 1.6
4	2.6999.061.0	7	small spring 4.2
5	0.009.2918.0/10	2	small plate
6	0.009.2916.2	1	small plate
7	0.009.2911.2	1	crosspiece
8	2.0112.415.2	1	screw m 12 p.1.75 x 40
9	2.0112.211.2	3	screw m 8 p.1.25 x 30
10	0.008.3255.0/10	5	screw m 8x22
11	2.0112.209.2	4	screw m 8 p 1.25 x 25
12	2.1011.105.2	14	nut m 8 p.1.25
13	0.009.2917.0	2	square
14	0.010.6024.4	1	filter R 134a COMPONENT PARTS SEE COMPONENTS LIST ☞ 0.010.6024.4 ☞ 0B.00.53
15	0.98702.56.0	1	square
16	0.98702.57.2	1	clamp
17	2.1011.103.2	2	nut m 6 p.1
18	2.0112.005.2	2	screw m 6 p.1 x 16
19	2.1470.002.2	2	washer 6, d128
20	2.1470.004.2	13	washer 8
21	0.98734.21.4/20	1	condenser
22	2.3339.446.2/20	1	pipe fitting
23	2.3339.449.2/10	1	pipe fitting 3/4-16UNF
24	0.009.2915.2	1	small plate sx/lh/li
25	0.009.2914.2	1	small plate dx/rh/re
26	0.009.2913.2/20	1	bracket sx/lh/li
27	0.009.2912.2/10	1	bracket dx/rh/re
28	2.0112.315.2	2	screw m 10 p.1.5 x 40
29	0.98734.65.2/20	1	hose clip
30	0.98734.51.4/10	2	fan
31	0.157.7693.0	4	rubber plug
32	2.1579.120.0	4	spacer 8.8x12x9.5
33	2.0112.207.2	8	screw m 8 p 1.25 x 20

Section: CAB  
**VENTILATION - AIR CONDITIONING**

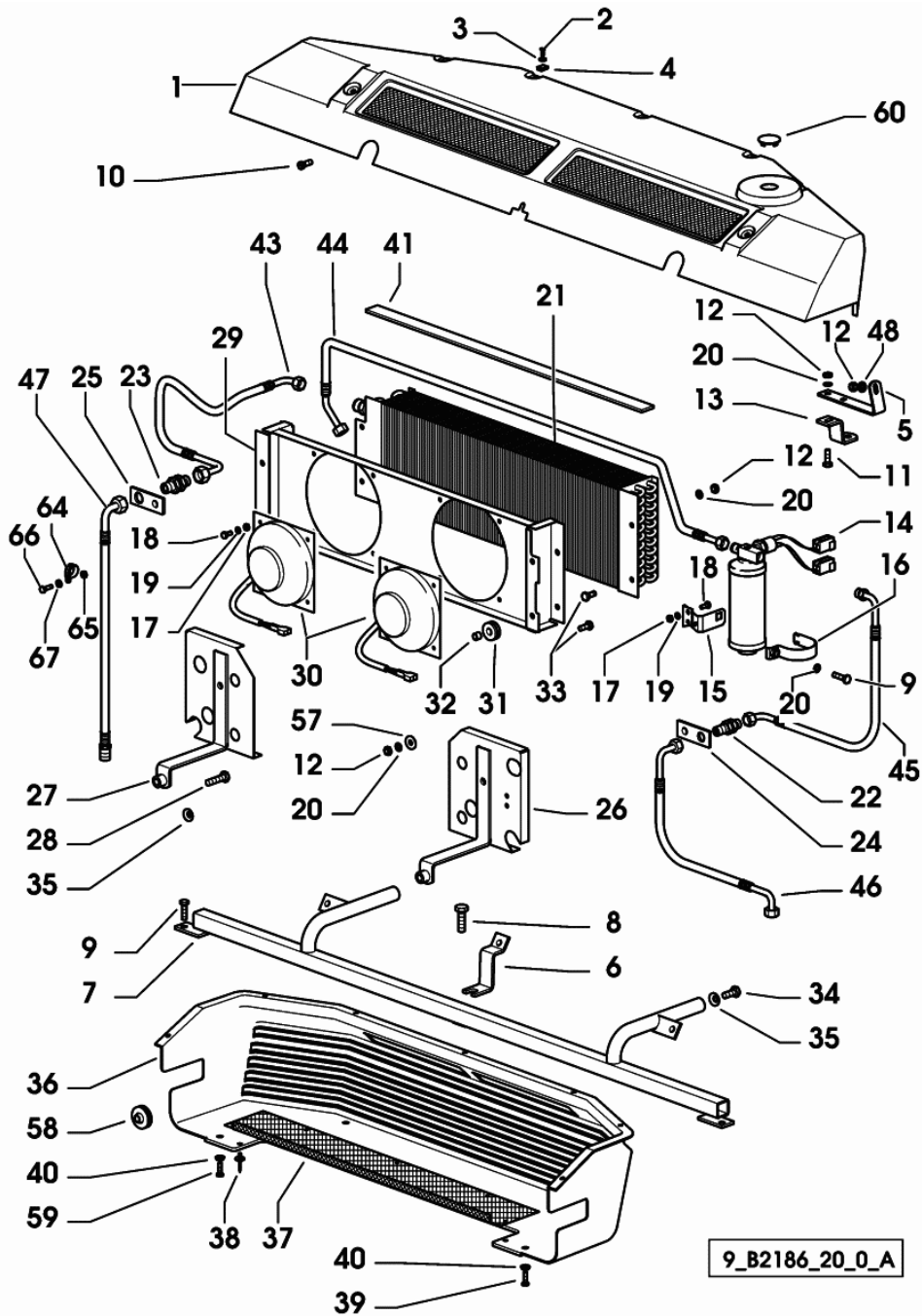


Fig.	Code	QTY	Name
34	2.0112.309.2	2	screw m 10 p.1.5 x 25
35	2.1470.006.6	4	washer 10
36	0.98734.50.0/40	1	cover
37	0.98734.69.0/20	1	net mesh
38	2.1899.039.0	5	rivet 4.8x15.9x10.5
39	2.0350.403.6	1	screw m 4.2x9.5B
40	0.9200.358.0	3	washer 5.4x10x15.8
41	0.008.8377.0	4	gasket
43	0.009.3049.3/40	1	tube
44	0.009.3159.3/20	1	tube
45	0.009.3050.3/30	1	tube
46	0.009.3051.3/30	1	tube
47	0.009.3052.3/30	1	tube
48	2.1310.004.3	2	washer 8.4x17
57	2.1312.004.2	8	washer 8.4
58	2.6560.016.0	4	wire guide Ø 22
59	2.0332.407.2	2	screw m 6 x 20
60	0.009.0211.0	1	plug
64	2.6839.051.0	2	clamp 20/20
65	2.1142.010.2	1	insert m 6
66	2.0112.007.2	1	screw m 6 p.1 x 20
67	2.1310.002.2	1	washer 6.6, d125

9\_11986\_20\_0\_A

SILVER 160

Ref.: 0B.00.44

Section: CAB  
**CLIMATE CONTROL SYSTEM**

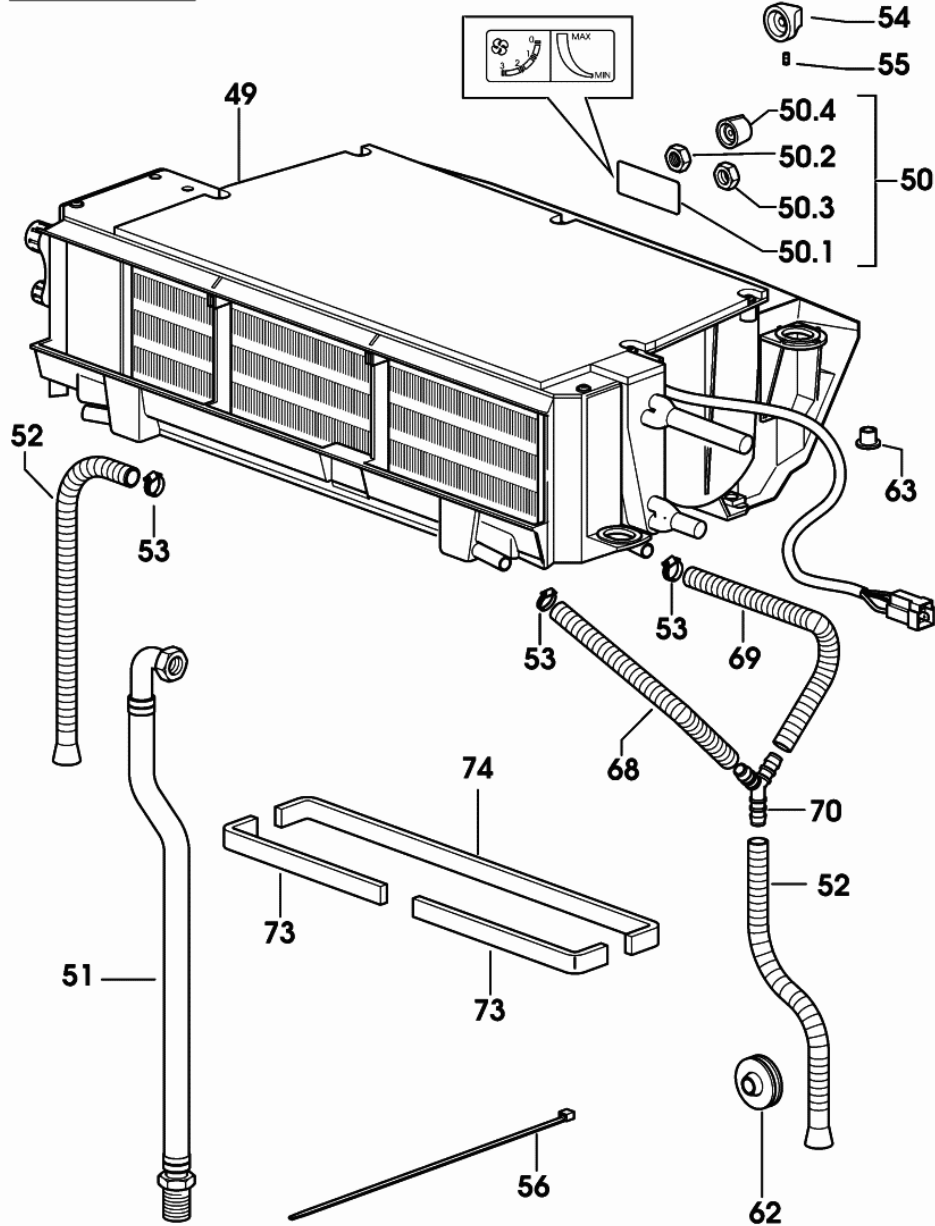


Fig.	Code	QTY	Name
49	0.011.2335.4	1	cab heating COMPONENT PARTS SEE COMPONENTS LIST ☞ 0.011.2335.4 ☞ 0B.00.54
50	0.009.0457.4/10	1	control grp.
50.1	0.009.0697.0/10	1	plate
50.2	2.1019.081.0	1	nut m 11 p.1.25
50.3	2.1019.088.0	1	special nut m 11 p.0.75
50.4	0.009.0699.2	1	knob
51	0.007.7977.3/20	1	tube
52	0.011.6177.3	2	exhaust
53	2.6850.002.0	4	clamp 12-22
54	0.009.0950.0/10	2	knob
55	2.0599.073.1	2	screw m 4 x 8
56	0.98503.67.0	7	clamp
62	2.6569.035.0/10	1	wire guide 15x30x10
63	2.1142.005.2	2	insert m 8
68	0.011.6180.0	2	tube mm 205
69	0.011.6179.0	2	tube mm 235
70	0.011.6181.0	2	pipe fitting
73	0.011.6199.0	2	gasket
74	0.011.6200.0	1	gasket

Section: CAB  
**CLIMATE CONTROL SYSTEM**

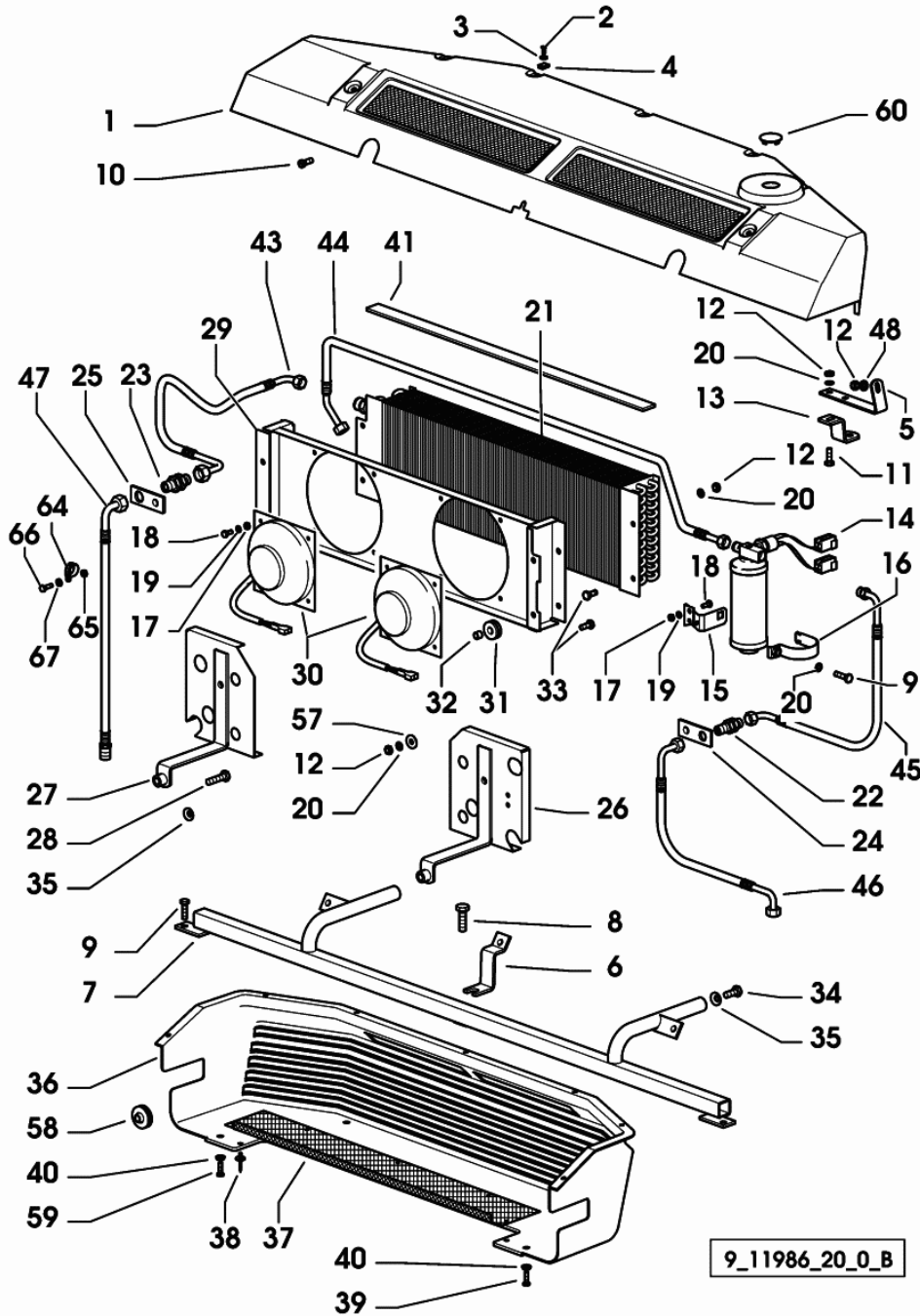


Fig.	Code	QTY	Name
1	0.009.2910.2/10	1	cover (...) <- X SILVER 160 (...) <- X SILVER 180 - COLOUR IVORY
1	0.010.8125.2/10	1	cover -> (...) X SILVER 160 -> (...) X SILVER 180 - GREY
2	2.0350.556.3	7	screw m 4.8 x 19 - C
3	2.1310.002.3	7	flat washer 6.4 x 12 x 1.6
4	2.6999.061.0	7	small spring 4.2
5	0.009.2918.0/10	2	small plate
6	0.009.2916.2	1	small plate
7	0.009.2911.2	1	crosspiece
8	2.0112.415.2	1	screw m 12 p.1.75 x 40
9	2.0112.211.2	3	screw m 8 p.1.25 x 30
10	0.008.3255.0/10	5	screw m 8x22
11	2.0112.209.2	4	screw m 8 p 1.25 x 25
12	2.1011.105.2	14	nut m 8 p.1.25
13	0.009.2917.0	2	square
14	0.010.6024.4	1	filter R 134a COMPONENT PARTS SEE COMPONENTS LIST ☞ 0.010.6024.4 ☞ 0B.00.53
15	0.98702.56.0	1	square
16	0.98702.57.2	1	clamp
17	2.1011.103.2	2	nut m 6 p.1
18	2.0112.004.2	2	screw m 6 p.1 x 14
19	2.1470.002.2	2	washer 6, d128
20	2.1470.004.2	13	washer 8
21	0.98734.21.4/20	1	condenser
22	2.3339.446.2/20	1	pipe fitting
23	2.3339.449.2/10	1	pipe fitting 3/4-16UNF
24	0.009.2915.2	1	small plate sx/lh/li
25	0.009.2914.2	1	small plate dx/rh/re
26	0.009.2913.2/20	1	bracket sx/lh/li
27	0.009.2912.2/10	1	bracket dx/rh/re
28	2.0112.315.2	2	screw m 10 p.1.5 x 40
29	0.98734.65.2/20	1	hose clip
30	0.98734.51.4/10	2	fan
31	0.157.7693.0	4	rubber plug
32	2.1579.120.0	4	spacer 8.8x12x9.5
33	2.0112.207.2	8	screw m 8 p 1.25 x 20

Section: CAB  
**CLIMATE CONTROL SYSTEM**

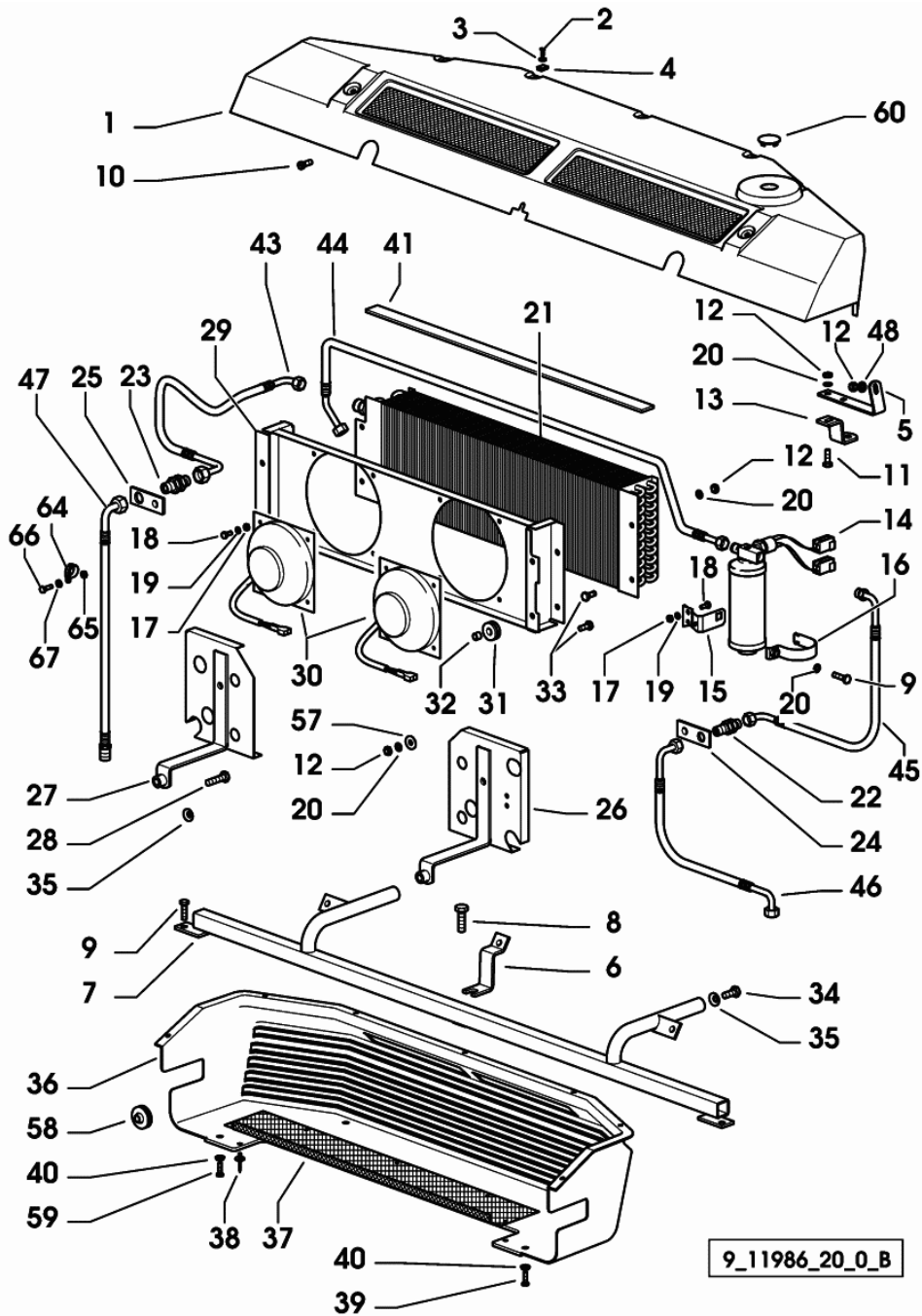
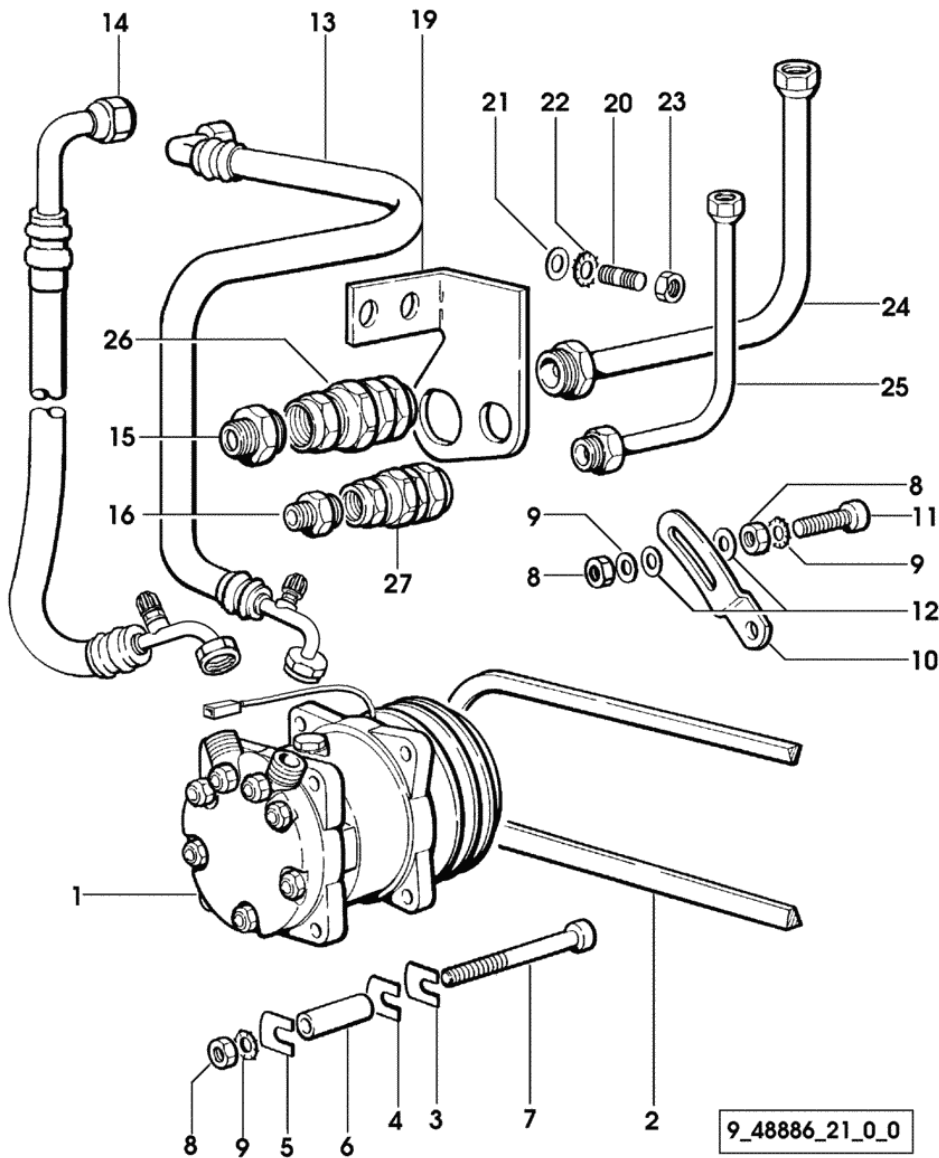


Fig.	Code	QTY	Name
34	2.0112.309.2	2	screw m 10 p.1.5 x 25
35	2.1470.006.6	4	washer 10
36	0.98734.50.0/40	1	cover
37	0.98734.69.0/20	1	net mesh
38	2.1899.039.0	5	rivet 4.8x15.9x10.5
39	2.0350.403.6	1	screw m 4.2x9.5B
40	0.9200.358.0	3	washer 5.4x10x15.8
41	0.008.8377.0	4	gasket
43	0.009.3049.3/40	1	tube
44	0.009.3159.3/20	1	tube
45	0.009.3050.3/30	1	tube
46	0.009.3051.3/30	1	tube
47	0.009.3052.3/30	1	tube
48	2.1310.004.3	2	washer 8.4x17
57	2.1312.004.2	8	washer 8.4
58	2.6560.016.0	4	wire guide Ø 22
59	2.0332.407.2	2	screw m 6 x 20
60	0.009.0211.0	1	plug
64	2.6839.051.0	2	clamp 20/20
65	2.1142.010.2	1	insert m 6
66	2.0112.007.2	1	screw m 6 p.1 x 20
67	2.1310.002.2	1	washer 6.6, d125



**VENTILATION - AIR CONDITIONING**

Fig.	Code	QTY	Name
1	0.010.1318.4	1	gear compressor R 134a COMPONENT PARTS SEE COMPONENTS LIST ☞ 0.010.1318.4 ☞ 0B.00.55
2	2.4119.120.0/10	1	belt AV 13x915 mm
3	0.167.8460.0	1	small plate mm 3.00
4	0.167.8461.0	1	small plate mm 1.00
5	0.167.8462.0	1	small plate mm 2.00
6	2.1579.999.2	1	spacer 10.5x16x57.3
7	2.0169.011.2/10	1	screw
8	2.1011.106.2	3	nut m 10 p.1.5
9	2.1470.006.2	3	lock washer 10
10	0.008.3856.0/30	1	tensioner
11	2.0169.010.2	1	screw m 10 p.1.5 x 45
12	2.1310.006.2	2	flat washer 10.5
13	0.010.8103.3/20	1	tube
14	0.009.0120.3/30	1	tube
15	0.009.0111.0	1	pipe fitting 7/8"-14UNF--1-1/4"-18NEF
16	2.3339.628.0	1	power control 3/4"-16UNF--7/8"-20NEF
19	0.009.0106.0/10	1	bracket
20	2.0432.263.7	2	stud bolt m 12 p.1.75-1.25x45
21	2.1312.006.2	2	washer 14.5
22	2.1470.007.2	2	lock washer 12
23	2.1011.422.6	2	nut m 12 p.1.25
24	0.009.0109.3/20	1	pipe fitting 7/8"
25	0.009.0110.3/30	1	pipe fitting 5/8"
26	0.009.7202.4/10	1	connection 1-1/4"-18UN ☞ 0.009.7202.4/10
27	0.009.7203.4/10	1	connection 7/8"-20UN ☞ 0.009.7203.4/10



9\_48886\_21\_0\_0

Section: CAB  
**VENTILATION - HEATING**

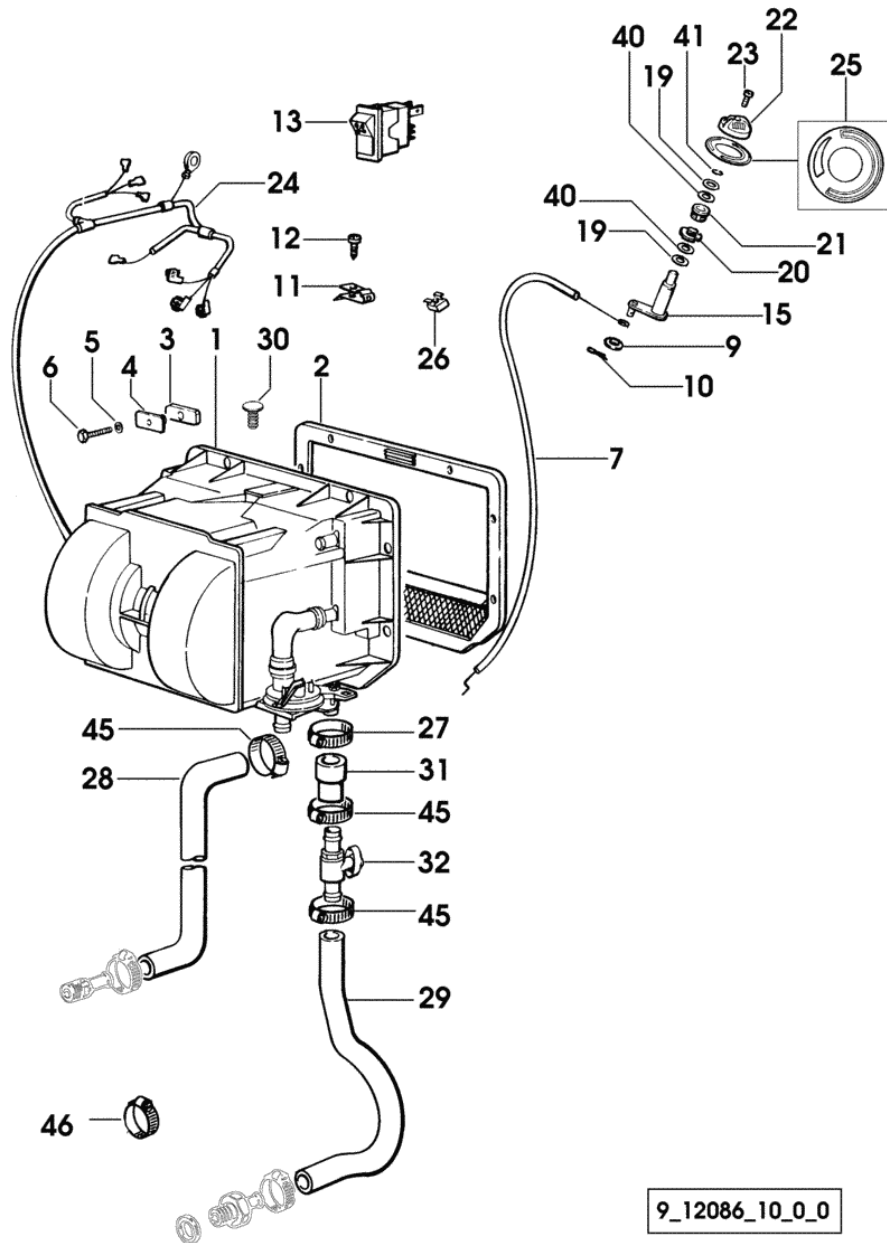
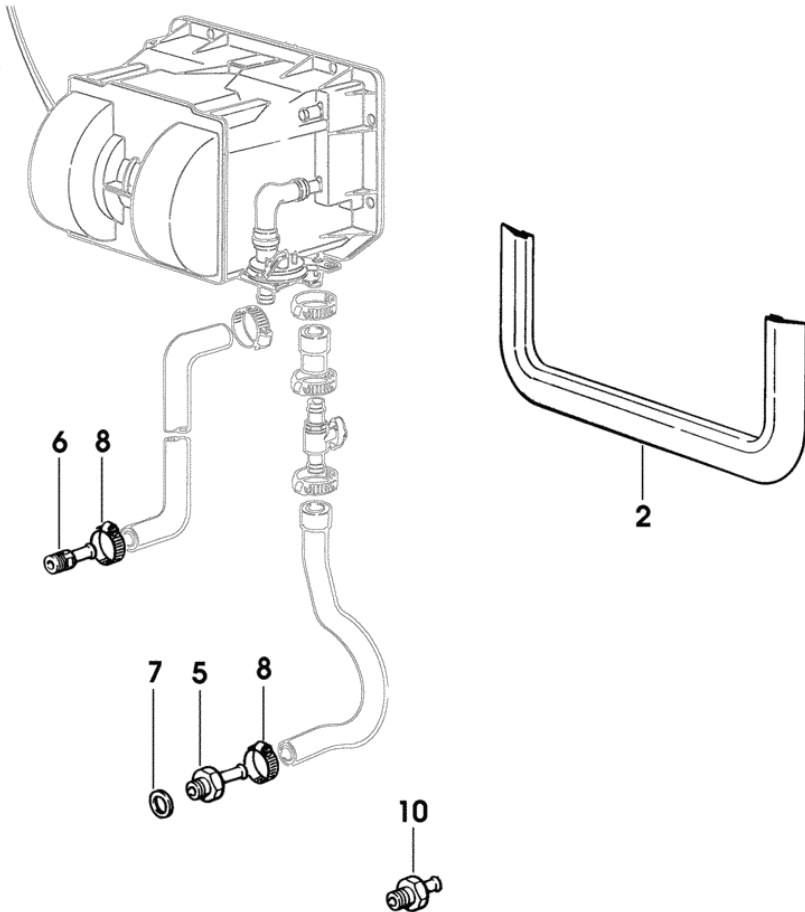


Fig.	Code	QTY	Name
1	0.98708.51.4/40	1	cab heating COMPONENT PARTS SEE COMPONENTS LIST ☞ 0.98708.51.4/40 ☞ 0B.00.56
2	0.98707.62.2/20	1	gasket
3	0.98707.55.0	9	block
4	0.98707.56.0/10	9	small plate
5	2.1470.002.2	9	washer 6, d128
6	2.0112.013.2	9	screw m 6 p.1 x 35
7	0.009.0482.0/20	1	rod
9	2.1310.001.2	1	flat washer 5.3
10	2.1690.106.2	1	split pin 1.6x16
11	0.98551.51.0	1	small spring
12	2.0350.454.6	1	screw m 4.2 x 13 -AB-
13	2.7659.075.0	1	push-button
15	0.009.9818.3	1	pin
19	2.1599.526.0	2	washer
20	2.1220.005.2	1	ring nut 20 p.1
21	2.1559.216.2/10	1	bushing
22	0.009.0964.0	1	knob
23	2.0332.103.2	1	screw m 3x10
24	0.011.1365.4	1	wire
25	0.009.0652.0/20	1	plate
26	2.6999.003.2	9	special nut m 6
27	2.6850.006.0	1	clamp 18-28
28	0.009.1822.0	1	tube Ø mm 14x22x2300 3506 <- X SILVER 160
28	0.012.9219.0	0	tube -> 3507 X SILVER 160
29	0.011.4574.0	1	tube
30	2.3199.126.0/10	2	plug mm 15
31	0.009.1832.0	1	tube
32	0.009.1830.4/10	1	valve
40	2.1499.139.0	2	washer 10
41	2.1410.001.1	1	circlip 10
45	2.6850.003.0	3	clamp 16-25
46	2.6859.102.0	1	clamp Ø 18.5/22

Section: CAB  
**VENTILATION - HEATING**

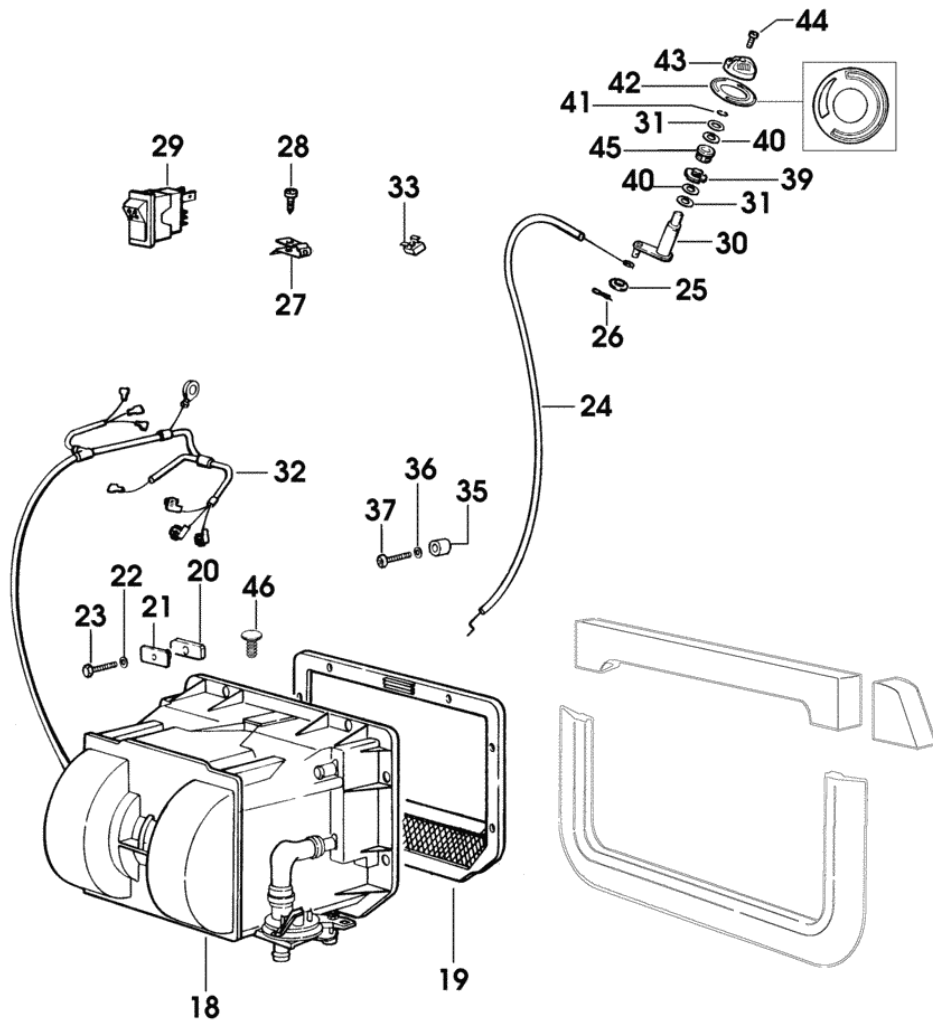
Fig.	Code	QTY	Name
2	0.009.0466.0/30	1	gasket
5	2.3339.354.2	1	pipe fitting 1/2" gas
6	2.3339.355.2/10	1	pipe fitting 3/8" gas
7	2.1560.054.0	1	gasket 21 x 26
8	2.6859.102.0	2	clamp Ø 18.5/22
10	2.3339.466.2	1	pipe union



9\_52786\_12\_0\_0

**VENTILATION - HEATING OVERSIZE**

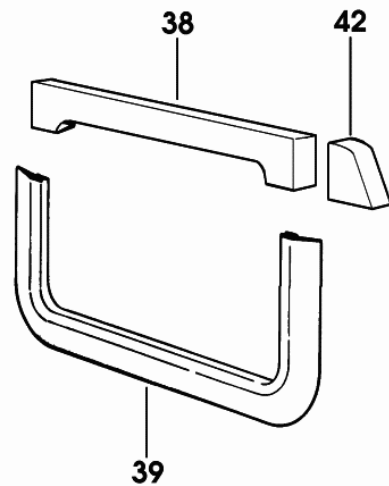
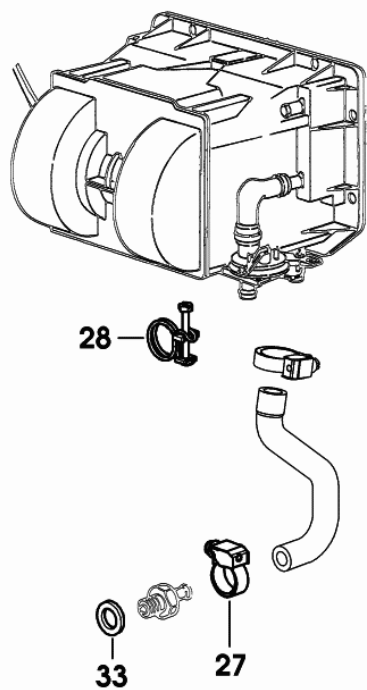
Fig.	Code	QTY	Name
18	0.98708.51.4/40	1	cab heating COMPONENT PARTS SEE COMPONENTS LIST ☞ 0.98708.51.4/40 ☞ 0B.00.56
19	0.98707.62.2/20	1	gasket
20	0.98707.55.0	9	block
21	0.98707.56.0/10	9	small plate
22	2.1470.002.2	9	washer 6, d128
23	2.0112.015.2	9	screw m 6 p.1x40
24	0.009.0482.0/20	1	rod
25	2.1310.001.2	1	flat washer 5.3
26	2.1690.106.2	1	split pin 1.6x16
27	0.98551.51.0	1	small spring
28	2.0350.454.6	1	screw m 4.2 x 13 -AB-
29	2.7659.075.0	1	push-button
30	0.009.9818.3	1	pin
31	2.1599.526.0	2	washer
32	0.008.0402.3/10	1	electrical system
33	2.6999.003.2	9	special nut m 6
35	2.1579.879.2	1	spacer 12x20x19
36	2.1310.002.2	1	washer 6.6, d125
37	2.0350.761.6	1	screw
39	2.1220.005.2	1	ring nut 20 p.1
40	2.1499.139.0	2	washer 10
41	2.1410.001.1	1	circlip 10
42	0.009.0652.0/30	1	plate
43	0.009.0964.0	1	knob
44	2.0332.103.2	1	screw m 3x10
45	2.1559.216.2/10	1	bushing
46	2.3199.126.0/10	2	plug mm 15



9\_62186\_30\_0\_B

**VENTILATION - HEATING OVERSIZE**

Fig.	Code	QTY	Name
27	2.6851.002.0	1	clamp Ø 20/32
28	2.6859.102.0	1	clamp Ø 18.5/22
33	2.1560.054.0	1	gasket 21 x 26
38	0.008.9452.0/10	1	gasket
39	0.008.9451.0/20	1	gasket
42	0.008.9453.0	2	block

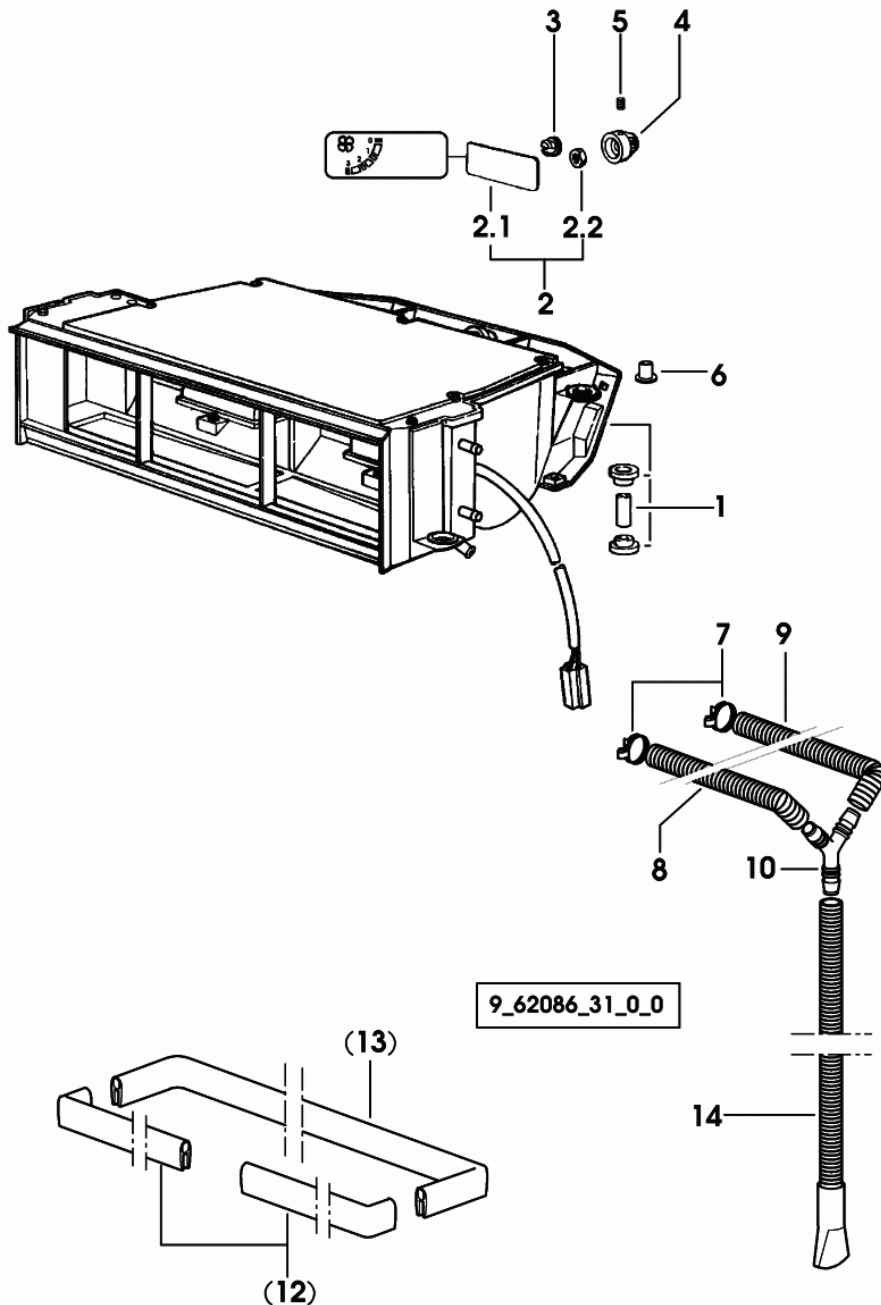


9\_62186\_13\_0\_0

Section: CAB

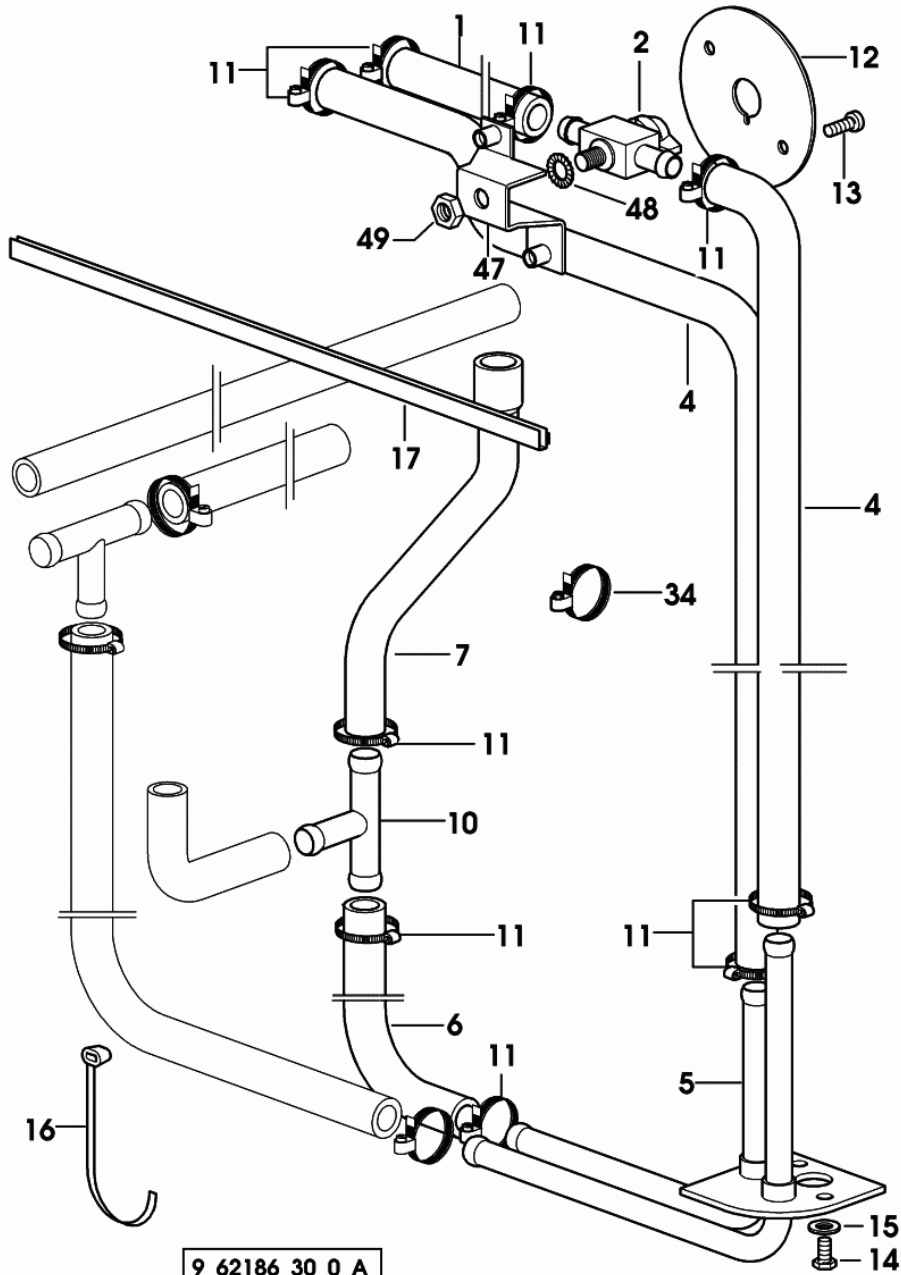
**VENTILATION - HEATING OVERSIZE**

Fig.	Code	QTY	Name
1	0.011.2336.4	1	cab heating
2	0.009.0456.4/10	1	control grp.
2.1	0.009.0698.0/10	1	plate
2.2	2.1019.081.0	1	nut m 11 p.1.25
3	2.3199.107.0	1	plug 14x12.5
4	0.009.0950.0/10	1	knob
5	2.0599.073.1	1	screw m 4 x 8
6	2.1142.005.2	2	insert m 8
7	2.6851.019.0	4	clamp Ø 13/20
8	0.011.6180.0	2	tube mm 205
9	0.011.6179.0	2	tube mm 235
10	0.011.6181.0	2	pipe fitting
14	0.011.6177.3	2	exhaust



Section: CAB  
**HEATING OVERSIZE**

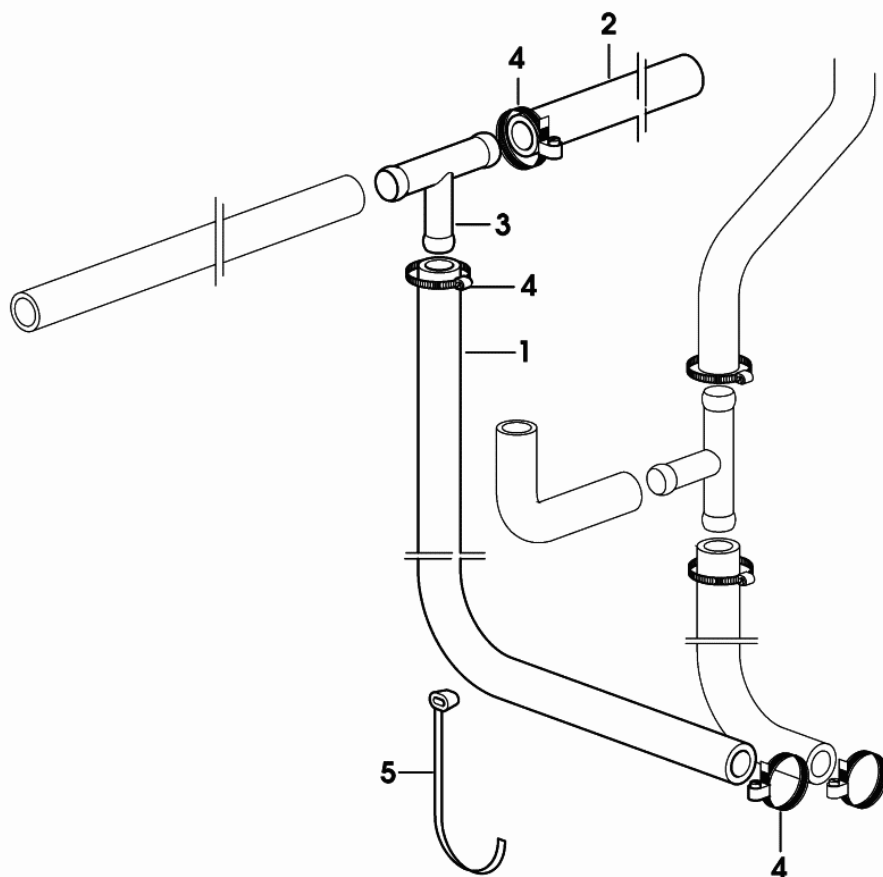
Fig.	Code	QTY	Name
1	0.012.9555.0/10	0	tube
2	0.009.1830.4/10	1	valve
4	0.012.9555.0/10	0	tube
5	0.011.2152.3/10	1	pipe fitting
6	0.012.9555.0/10	0	tube
7	0.011.2201.0	1	tube
10	0.011.2153.0	2	pipe fitting T
11	2.6851.019.0	10	clamp Ø 13/20
12	0.011.2127.0	1	small plate
13	2.0332.305.3	2	screw m 5x14
14	2.0112.004.2	2	screw m 6 p.1 x 14
15	2.1475.201.2	2	washer 6.4x12
16	0.98503.67.0	10	clamp
17	0.009.1354.0/10	1	gasket mm 360
34	2.6851.001.0	6	clamp Ø 16/25
47	0.011.7238.3	1	support
48	2.1470.004.2	1	washer 8
49	2.1011.105.2	1	nut m 8 p.1.25



Section: CAB

**HEATING OVERSIZE**

Fig.	Code	QTY	Name
1	0.012.9555.0/10	0	tube
2	0.012.9219.0	0	tube
3	0.011.2153.0	1	pipe fitting T
4	2.6851.019.0	3	clamp Ø 13/20
5	0.98503.67.0	4	clamp

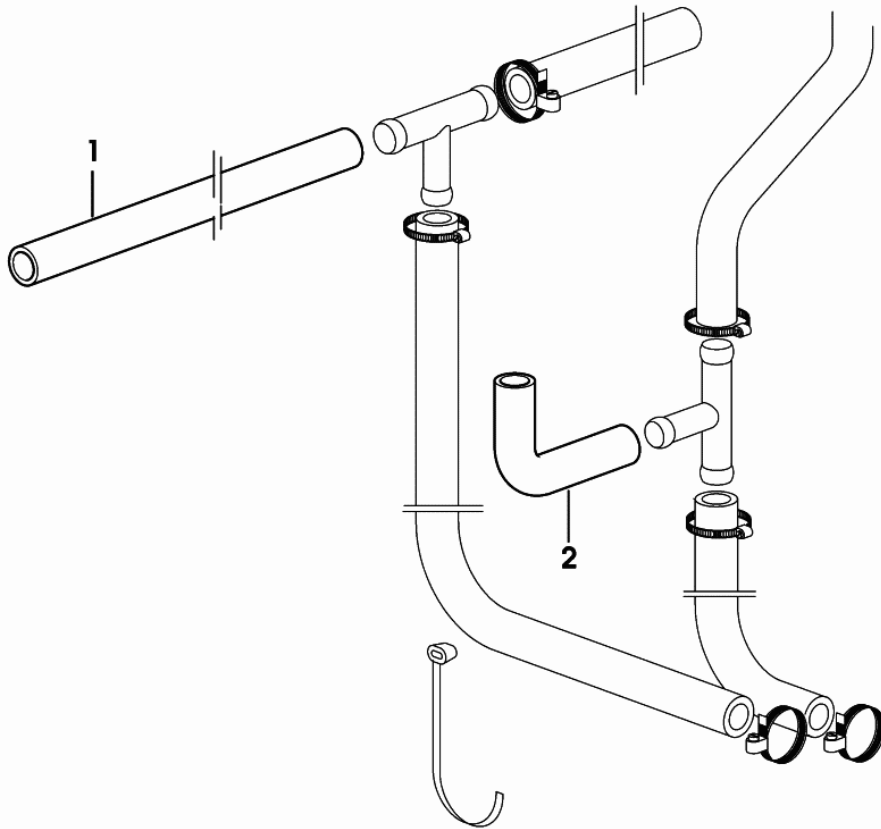


9\_62186\_31\_0\_0



Section: CAB  
**HEATING OVERSIZE**

Fig.	Code	QTY	Name
1	0.012.9219.0	0	tube
2	0.011.2778.0	1	tube Ø mm 14x23



9\_62486\_12\_0\_0

# SILVER 160

## ELECTRIC AL SYSTEM

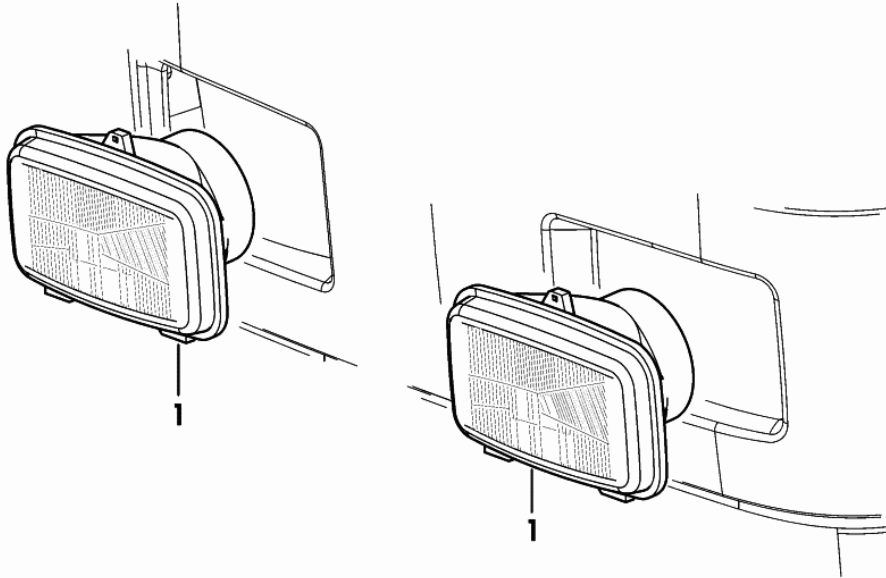
### GENERAL

HEADLAMP FOR RIGHT-HAND DRIVE.....	08.00.1
HEADLAMP FOR LEFT-HAND DRIVE.....	08.00.2
LIGHTS FRONT.....	08.00.3
REAR LIGHT.....	08.00.4
LICENCE PLATE LIGHT.....	08.00.5
NUMBER PLATE LIGHT HOLE PLUG EXPORT CH.....	08.00.6
RETROREFLECTOR.....	08.00.7
WORKING SPOTLIGHT FRONT.....	08.00.8
ELECTRICAL CAB LIGHING SYSTEM.....	08.00.9
WARNING BEACON.....	08.00.10
PREARRANGEMENT FOR WARNING BEACON.....	08.00.11
ELECTRICAL SYSTEM - STEERING COLUMN SWITCH UNIT.....	08.00.12
ELECTRICAL EQUIPMENT FRONT.....	08.00.13
ELECTRIC STARTING SYSTEM.....	08.00.14
ELECTRIC STARTING SYSTEM.....	08.00.15
ELECTRONIC POWER SHIFT + SBA ELECTRICAL SYSTEM FOR CAB.....	08.00.16
ELECTRONIC POWER SHIFT + SBA ELECTRICAL SYSTEM FOR CAB.....	08.00.17
ELECTRONIC POWER SHIFT + SBA ELECTRICAL SYSTEM.....	08.00.18
SWITCH.....	08.00.19
COOLING WATER THERMOSTAT.....	08.00.20
TEMPER.TRANSMITTER.....	08.00.21
FUSE BOX BRACKETS - LEVEL INDICATORS.....	08.00.22
4WD - ENGAGEMENT CONTROL - FOR TYPES WITH "S.B.A. SYSTEM".....	08.00.23
SWITCH - FOR P.T.O. FRONT.....	08.00.24
POWER-LIFT ELECTRONIC SYSTEM.....	08.00.25
POWER-LIFT ELECTRONIC SYSTEM.....	08.00.26
SOCKET-OUTLET - 7 POLE.....	08.00.27
TRAILER SOCKET-OUTLET.....	08.00.28
ELECTRICAL LEAD FOR HYDRAULIC TRAILER BRAKING.....	08.00.29
ELECTRIC STARTING SYSTEM.....	08.00.30
ALTERNATOR 85A.....	08.00.31
ALTERNATOR MOUNTINGS.....	08.00.32
ALTERNATOR - FOR TYPES WITH HEATING AND AIR CONDITIONING.....	08.00.33
ALTERNATOR MOUNTINGS - FOR TYPES WITH HEATING AND AIR CONDITIONING.....	08.00.34
BATTERY 12V 180Ah 800A.....	08.00.35
TRANSMISSION CONTROL UNIT 30 Km/h.....	08.00.36
CONTROL UNIT - GEARS 40 Km/h.....	08.00.37
CONTROL UNIT - P.T.O. SHAFT.....	08.00.38
PREHEATING CONTROL UNIT.....	08.00.39
RADAR.....	08.00.40

RADAR - EXPORT GB.....	08.00.41
ELECTRICAL SYSTEM PERFORMANCE MONITOR AND RADAR.....	08.00.42
ELECTRICAL SYSTEM PERFORMANCE MONITOR AND RADAR EXPORT GB.....	08.00.43
SPEED SENSOR.....	08.00.44
SBA SENSOR.....	08.00.45
ELECTRICAL SYSTEM PERFORMANCE MONITOR AND RADAR.....	08.00.46
PIECE COUNTER PUSHBUTTON PANEL.....	08.00.47
WORKING COMPUTER.....	08.00.48
FASTENINGS.....	08.00.49

Section: ELECTRIC AL SYSTEM  
**HEADLAMP FOR RIGHT-HAND DRIVE**

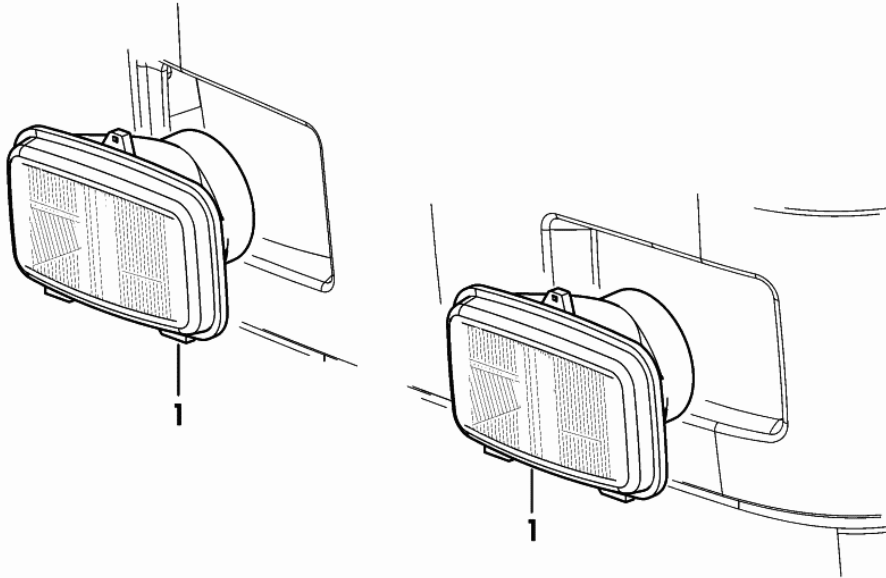
Fig.	Code	QTY	Name
1	0.007.5269.0/20	2	lamp COMPONENT PARTS SEE COMPONENTS LIST ☞ 0.007.5269.0/20 ☞ 08.00.33



9\_52685\_20\_0\_0

Section: ELECTRIC AL SYSTEM  
**HEADLAMP FOR LEFT-HAND DRIVE**

Fig.	Code	QTY	Name
1	2.8029.790.0/10	2	lamp COMPONENT PARTS SEE COMPONENTS LIST ☞ 2.8029.790.0/10 ☞ 08.00.34



9\_52685\_22\_0\_0

Section: ELECTRIC AL SYSTEM  
**LIGHTS FRONT**

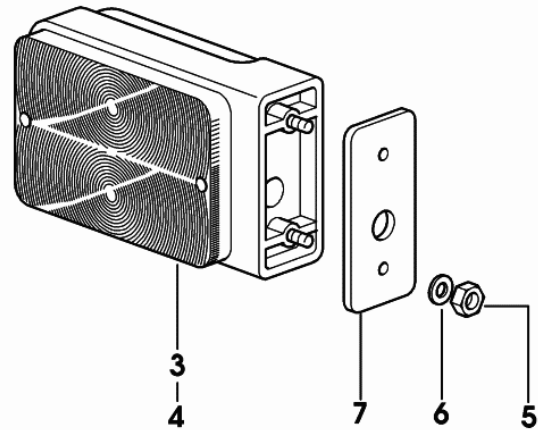
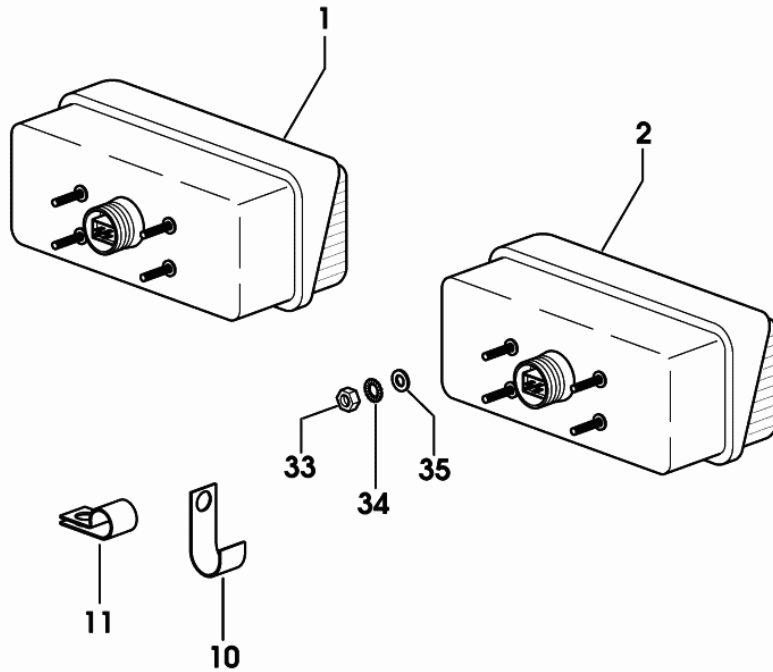


Fig.	Code	QTY	Name
3	2.8019.970.0	1	side lamp dx/rh/re COMPONENT PARTS SEE COMPONENTS LIST ☞ 2.8019.970.0 ☞ 08.00.35
4	2.8019.960.0	1	side lamp sx/lh/li COMPONENT PARTS SEE COMPONENTS LIST ☞ 2.8019.960.0 ☞ 08.00.36
5	2.1011.102.2	4	nut m 5 p.0.7
6	2.1470.001.2	4	lock washer 5
7	0.009.7474.0	1	gasket

9\_40585\_00\_0\_0

**REAR LIGHT**

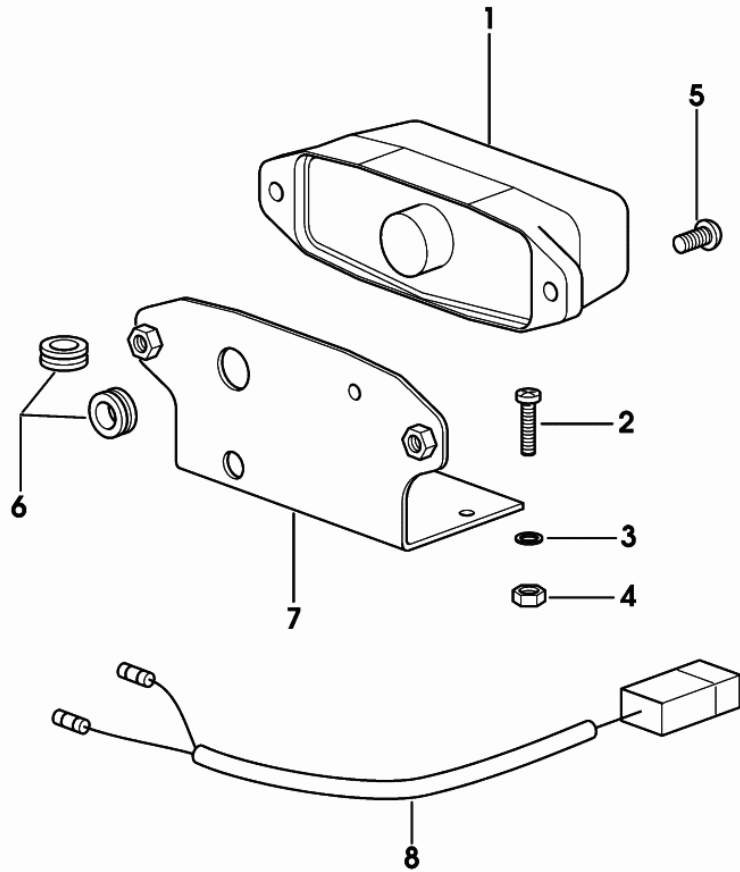
Fig.	Code	QTY	Name
1	2.8019.980.0/20	1	lamp dx/rh/re COMPONENT PARTS SEE COMPONENTS LIST ☞ 2.8019.980.0/20 ☞ 08.00.37
2	2.8019.990.0/20	1	lamp sx/lh/li COMPONENT PARTS SEE COMPONENTS LIST ☞ 2.8019.990.0/20 ☞ 08.00.38
10	2.6819.004.2	3	clamp Ø 17
11	2.6839.024.2	1	clamp
33	2.1011.103.2	8	nut m 6 p.1
34	2.1470.002.2	8	washer 6, d128
35	2.1310.002.2	8	washer 6.6, d125



9\_62085\_00\_0\_0

**LICENCE PLATE LIGHT**

Fig.	Code	QTY	Name
1	2.8029.240.0/10	1	side lamp COMPONENT PARTS SEE COMPONENTS LIST ☞ 2.8029.240.0/10 ☞ 08.00.39
2	2.0332.207.3	2	screw m 4 x 20
3	2.1310.028.2	2	flat washer 4
4	2.1011.101.2	2	nut m 4 p.0.7
5	2.0332.304.3	2	screw m 5 x 12
6	2.6569.015.0	2	wire guide 8x20x10
7	0.008.0760.0/10	1	lamp support
8	0.255.8454.3/20	1	wire

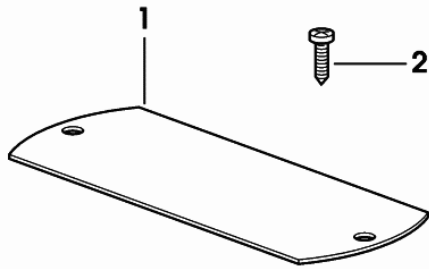


9\_40585\_31\_0\_0



**NUMBER PLATE LIGHT HOLE PLUG EXPORT CH**

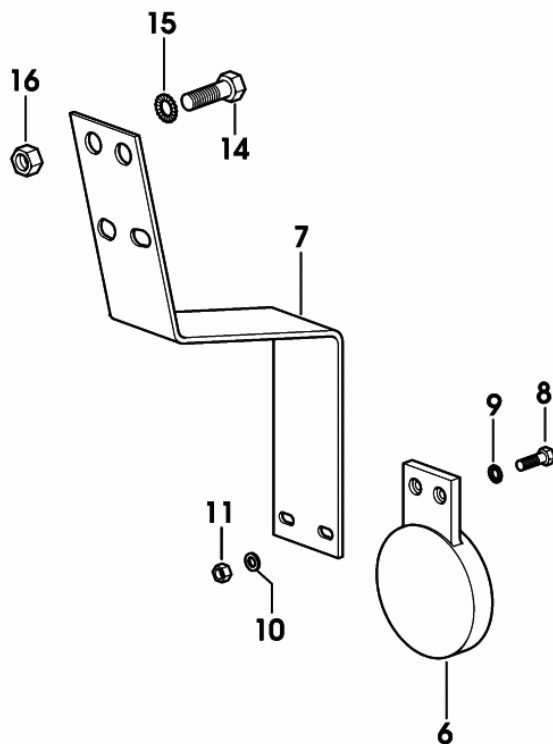
Fig.	Code	QTY	Name
1	0.261.7658.0	1	plug
2	2.0350.454.6	2	screw m 4.2 x 13 -AB-



9\_40576\_90\_0\_0

**RETROREFLECTOR**

Fig.	Code	QTY	Name
6	2.8349.008.0/20	2	reflector mm 80
7	0.264.8551.0/10	2	plate
8	2.0112.007.2	4	screw m 6 p.1 x 20
9	2.1470.002.2	4	washer 6, d128
10	2.1310.002.2	4	washer 6.6, d125
11	2.1011.103.2	4	nut m 6 p.1
14	2.0112.309.2	4	screw m 10 p.1.5 x 25
15	2.1470.006.2	4	lock washer 10
16	2.1011.106.2	4	nut m 10 p.1.5



9\_49285\_00\_0\_0

Section: ELECTRIC AL SYSTEM  
**WORKING SPOTLIGHT FRONT**

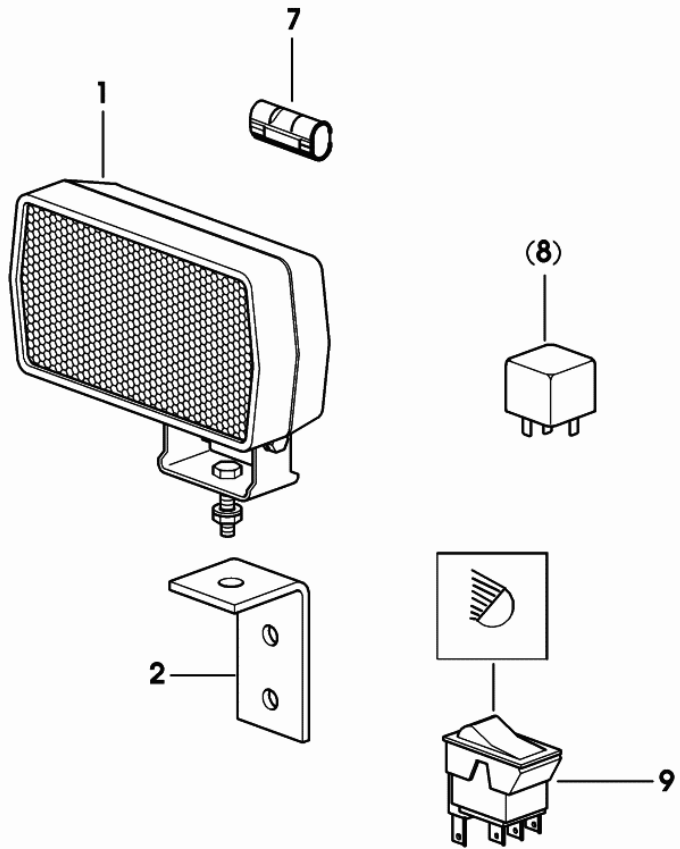
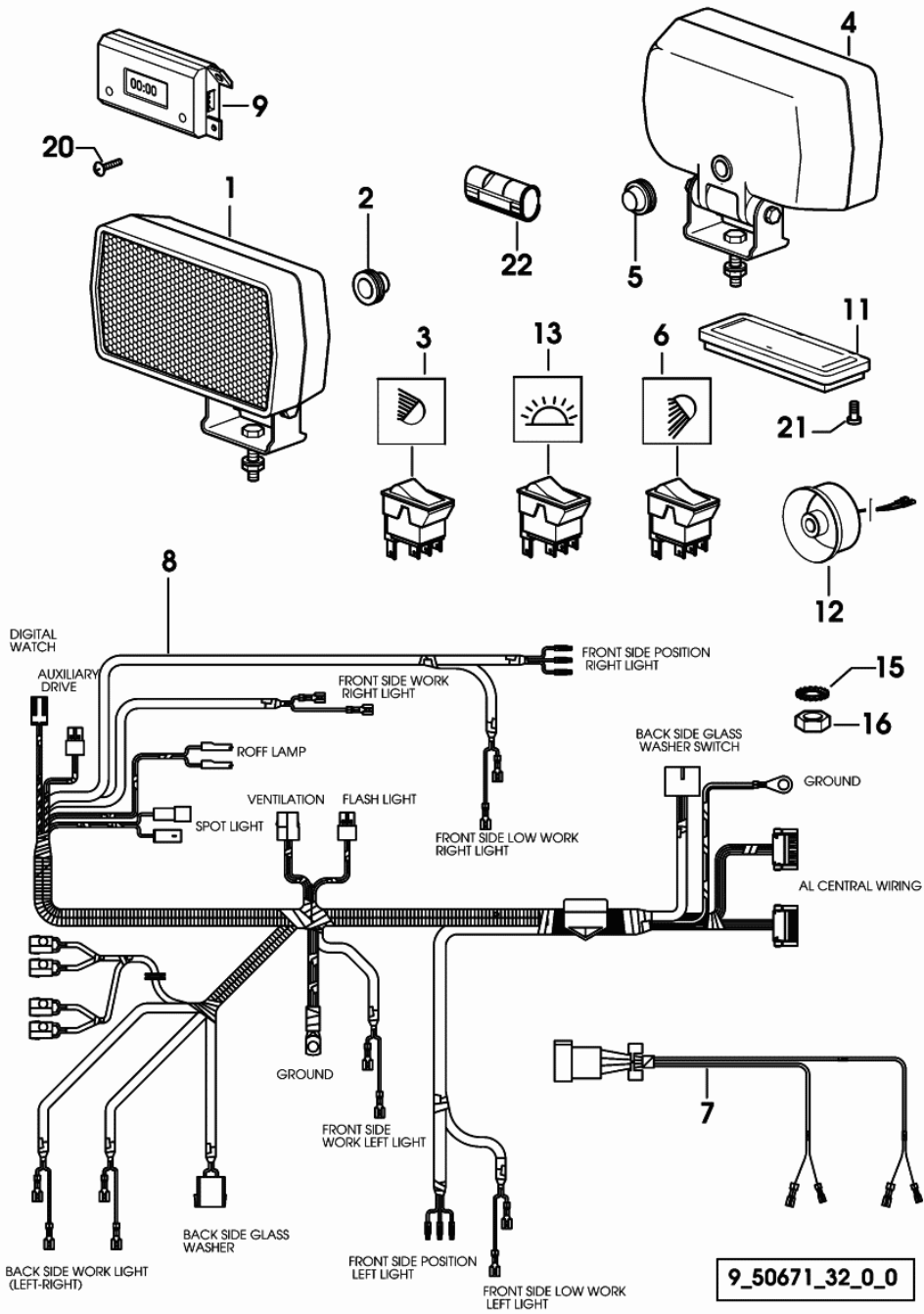


Fig.	Code	QTY	Name
1	2.8029.730.0	2	headlight COMPONENT PARTS SEE COMPONENTS LIST ☞ 2.8029.730.0 ☞ 08.00.40
2	0.009.6783.0	2	square
7	2.6039.010.0	2	guard
9	2.7659.132.0	1	push-button

9\_62071\_33\_0\_0

Section: ELECTRIC AL SYSTEM  
**ELECTRICAL CAB LIGHING SYSTEM**

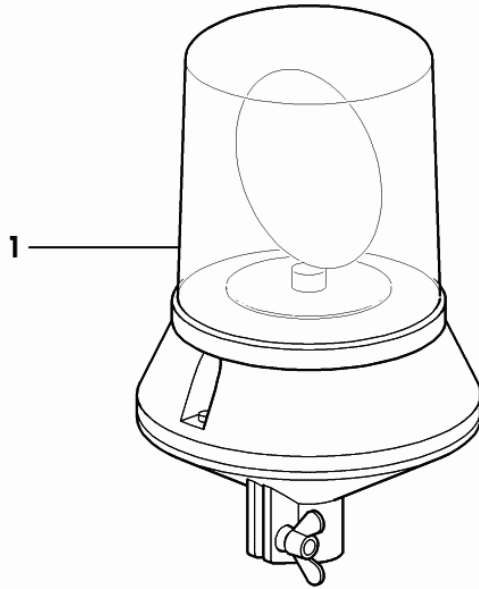


9\_50671\_32\_0\_0

Fig.	Code	QTY	Name
1	2.8029.730.0	2	headlight COMPONENT PARTS SEE COMPONENTS LIST ☞ 2.8029.730.0 ☞ 08.00.40
2	2.6569.018.0	2	wire guide 20 x 8 x 15
3	2.7659.078.0	1	switch
4	2.8029.730.0	2	headlight COMPONENT PARTS SEE COMPONENTS LIST ☞ 2.8029.730.0 ☞ 08.00.40
5	2.6569.018.0	2	wire guide 20 x 8 x 15
6	2.7659.079.0	1	switch
7	0.011.0730.4	1	wire
8	0.011.1367.4/10	1	electrical system
9	2.9389.002.0	1	digital chronometers
11	2.8339.097.0	1	interior light
12	2.8339.094.0/10	1	light
13	2.7659.081.0	1	switch
15	2.1470.004.2	1	washer 8
16	2.1011.105.2	1	nut m 8 p.1.25
20	2.0350.154.6	2	screw m 2.9x13AB
21	2.0350.255.3	2	screw m 3.5 x 16 -AB-
22	2.6039.010.0	4	guard

**WARNING BEACON**

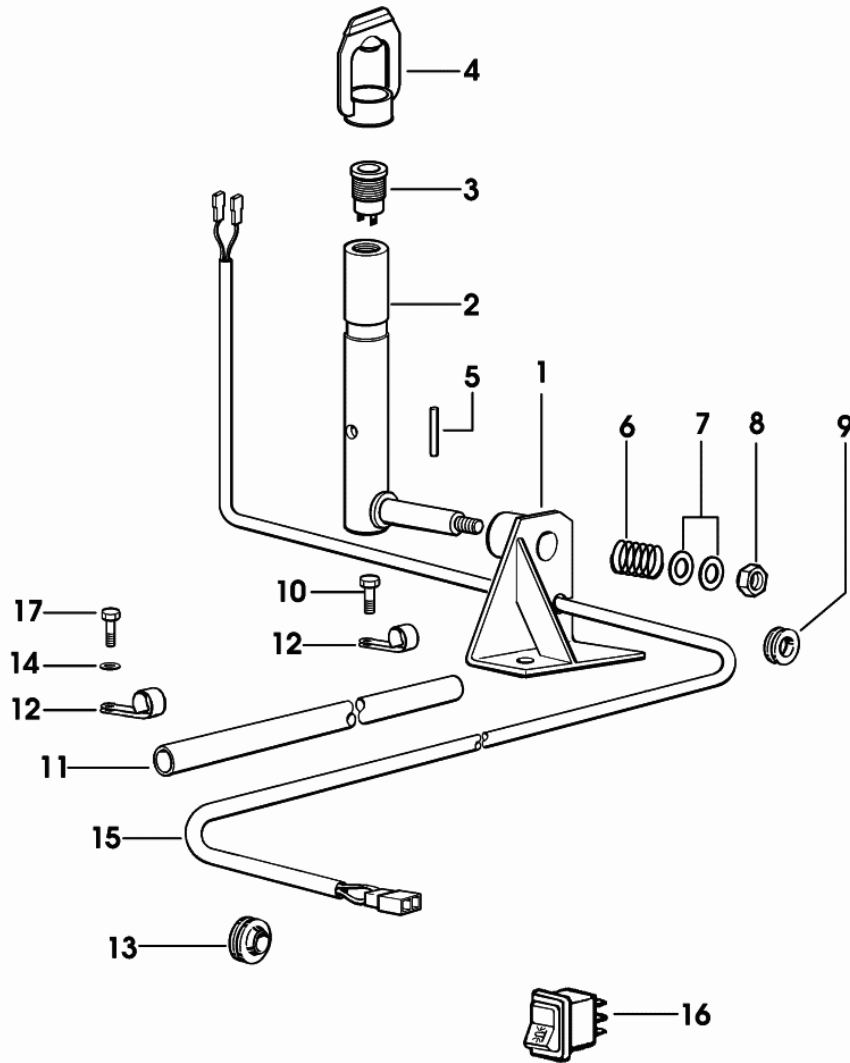
Fig.	Code	QTY	Name
1	0.009.6758.4/10	1	blinker COMPONENT PARTS SEE COMPONENTS LIST ☞ 0.009.6758.4/10 ☞ 08.00.41



9\_52685\_24\_0\_0

**PREARRANGEMENT FOR WARNING BEACON**

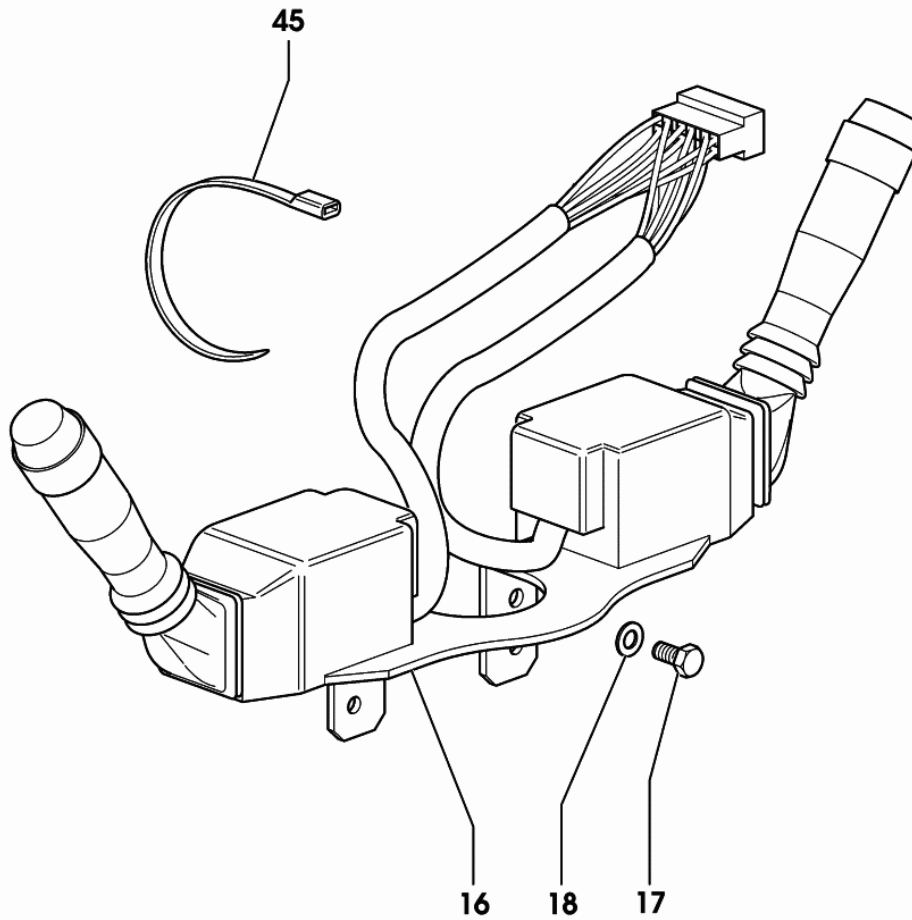
Fig.	Code	QTY	Name
1	0.009.7127.3/10	1	square
2	0.009.7131.3	1	coupling
3	2.6039.017.0	1	socket
4	0.009.6650.0	1	cap
5	2.1651.312.2	1	pin 4x28
6	2.4019.611.2	1	spring
7	2.1310.006.2	2	flat washer 10.5
8	2.1120.006.2	1	nut m 10 p.1.5
9	0.154.6761.0	1	rubber plug
10	2.0112.413.2	1	screw m 12 p.1.75x35
11	0.009.7132.0	1	tube
12	2.6819.025.2	2	bracket
13	2.6569.042.0	1	wire guide 20x10x15
14	2.1310.006.2	1	flat washer 10.5
15	0.007.6169.3	1	wire
16	2.7659.126.0	1	switch
17	2.0112.213.2	1	screw m 8 p.1.25 x 35



9\_52671\_36\_0\_0

**ELECTRICAL SYSTEM - STEERING COLUMN SWITCH UNIT**

Fig.	Code	QTY	Name
16	0.011.1196.4/10	1	switch
17	2.0119.160.3	2	screw m 6 p.1 x 14
18	2.1499.097.3	2	washer 6, d128
45	0.98503.67.0	10	clamp



9\_49284\_03\_0\_B

Section: ELECTRIC AL SYSTEM  
**ELECTRICAL EQUIPMENT FRONT**

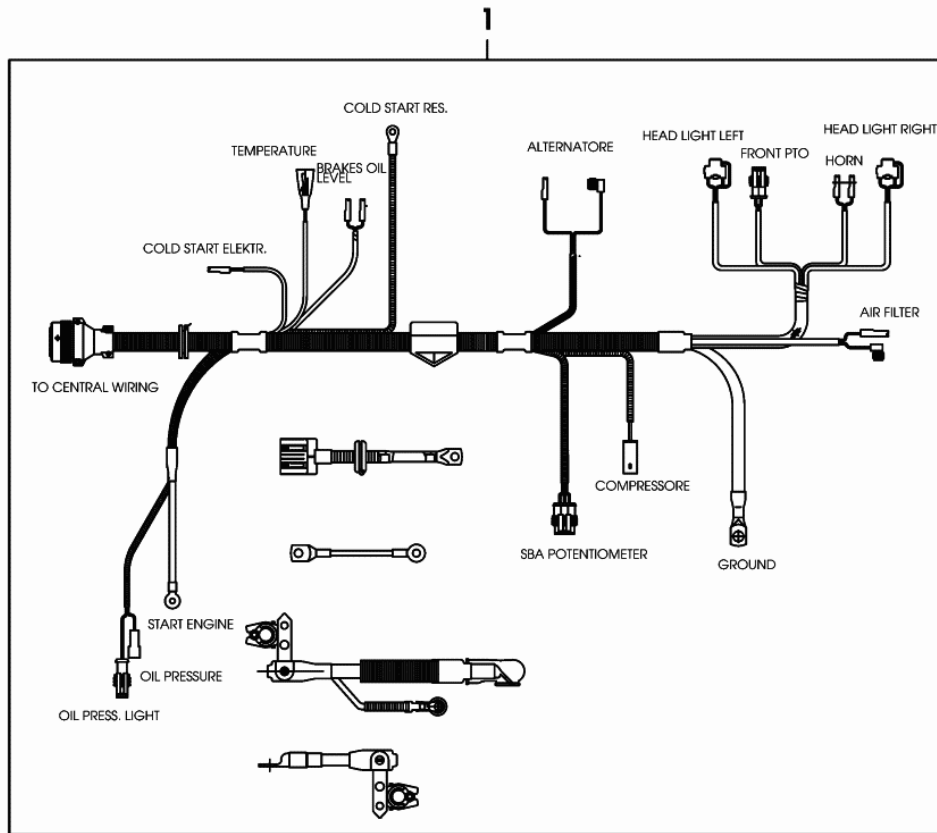


Fig.	Code	QTY	Name
1	0.011.1366.4/30	1	electrical system
2	0.011.9018.0	1	cap -
3	0.011.9017.0	1	cap +



9\_48884\_02\_0\_0



9\_49284\_03\_0\_A

Section: ELECTRIC AL SYSTEM  
**ELECTRIC STARTING SYSTEM**

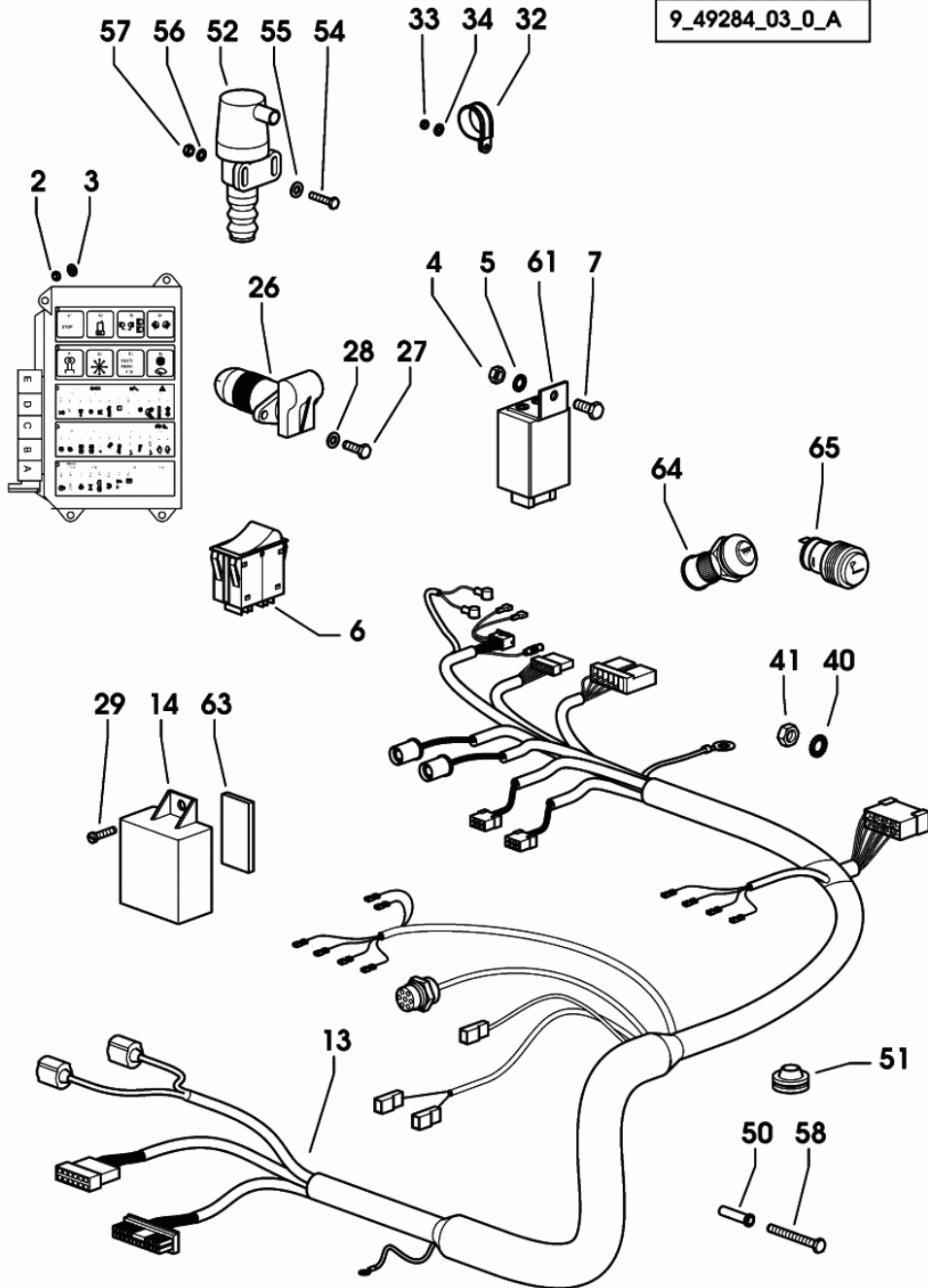


Fig.	Code	QTY	Name
2	2.1011.103.2	4	nut m 6 p.1
3	2.1310.002.2	4	washer 6.6, d125
4	2.1011.103.2	1	nut m 6 p.1
5	2.1470.002.2	1	washer 6, d128
6	2.7659.080.0	1	switch
7	2.0112.005.2	1	screw m 6 p.1 x 16
13	0.011.1369.4/30	1	electrical system 3506 <- X SILVER 160 1513 <- X SILVER 180
13	0.011.1369.4/40	1	electrical system >- 3507 X SILVER 160 >- 1514 X SILVER 180
14	0.010.1796.4/20	1	electronic unit
26	2.6032.011.0	1	socket COMPONENT PARTS SEE COMPONENTS LIST ☞ 2.6032.011.0 ☞ 08.00.42
27	2.0399.167.3	2	screw m 5 p.0.8 x 14
28	2.1310.001.3	2	washer 5.3 x 10
29	2.0399.175.3	4	screw m 4.2 x 19 -AB-
32	2.6839.051.0	1	clamp 20/20
33	2.1011.103.2	1	nut m 6 p.1
34	2.1310.002.2	1	washer 6.6, d125
40	2.1470.004.2	1	washer 8
41	2.1011.105.2	1	nut m 8 p.1.25
50	2.1142.003.2	3	nut m 5
51	2.6569.034.0	2	grommet 24x13x13.5
52	2.7649.100.0	1	switch
54	2.0332.207.2	2	screw m 4 p.0.7 x 20
55	2.1310.001.2	2	flat washer 5.3
56	2.1470.052.2	2	lock washer 4
57	2.1011.101.2	2	nut m 4 p.0.7
58	2.0312.015.2	3	screw m 5 p.0.8x45
61	2.8639.007.0	1	intermitent switch
63	0.011.3567.3	1	guard
64	2.7659.142.0	1	push-button
65	2.7099.770.0	1	cigar lighter

Section: ELECTRIC AL SYSTEM  
**ELECTRIC STARTING SYSTEM**

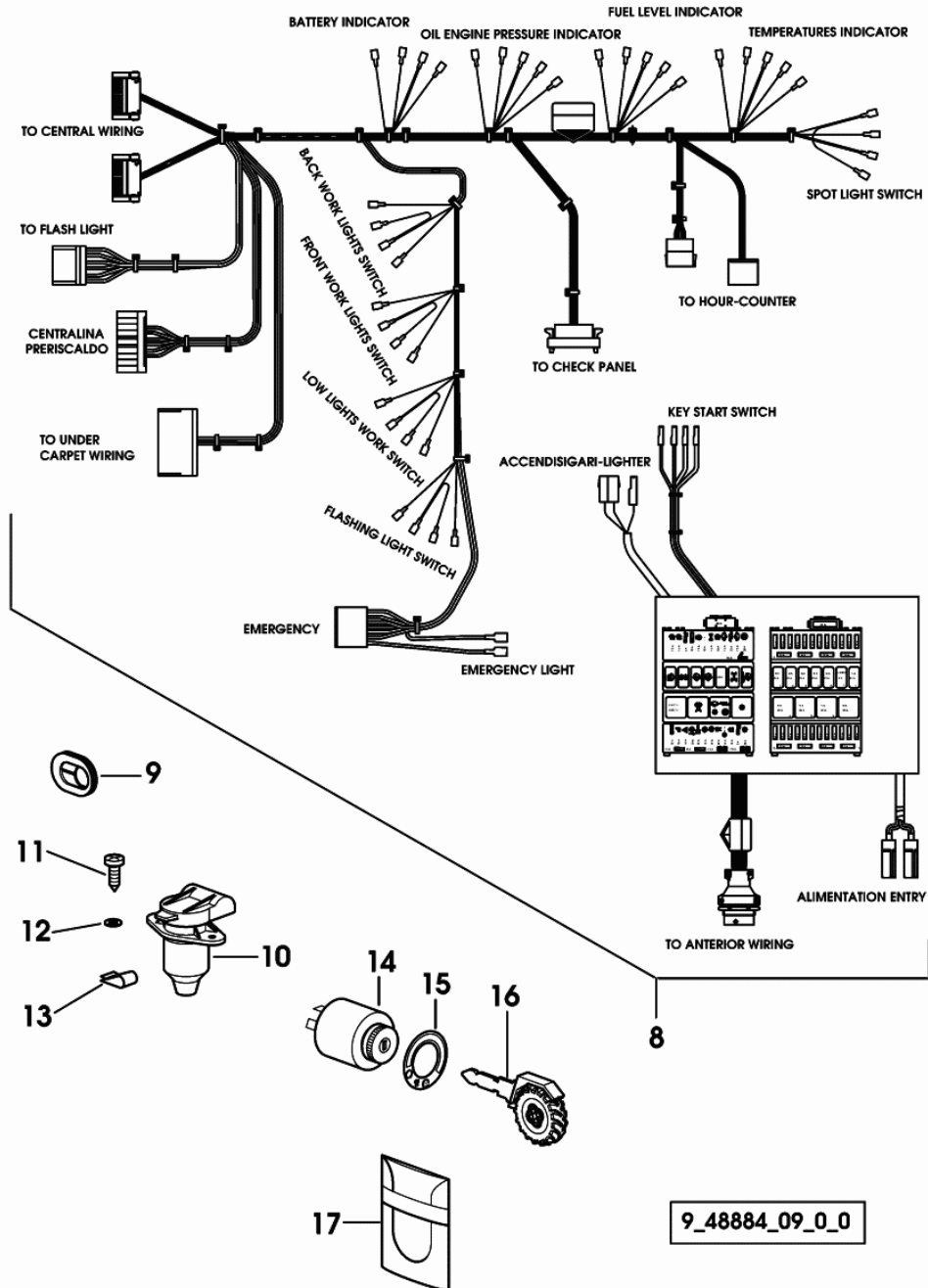


Fig.	Code	QTY	Name
8	0.011.1368.4/30	1	electrical system
9	0.009.0914.0	1	grommet
10	2.6039.020.0	1	socket DIN 9680
11	2.0350.455.6	2	screw 4.2x16
12	2.1310.004.2	2	flat washer 8.5
13	2.6999.022.0	2	small spring
14	2.7659.071.0/30	1	switch
15	0.009.0982.0/10	1	plate
16	2.7439.017.0/10	2	key
17	0.000.0000.1	0	not serviceable

9\_48884\_09\_0\_0

Section: ELECTRIC AL SYSTEM

**ELECTRONIC POWER SHIFT + SBA ELECTRICAL SYSTEM FOR CAB**

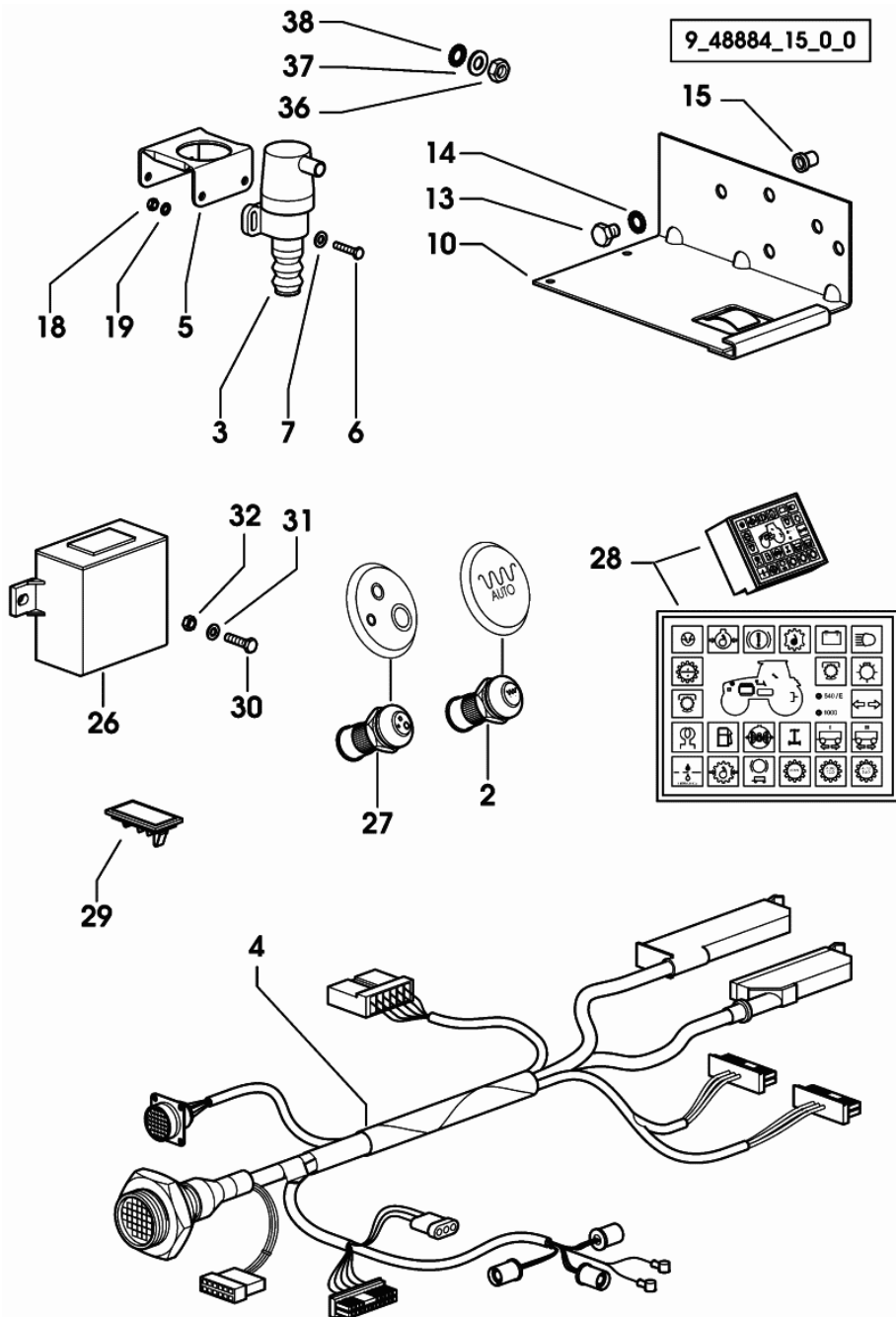


Fig.	Code	QTY	Name
2	0.008.1277.0	1	switch
3	2.7649.100.0	1	switch
4	0.011.1363.4	1	wire
5	0.009.0703.0/20	1	bracket
6	2.0332.207.2	2	screw m 4 p.0.7 x 20
7	2.1310.001.2	2	flat washer 5.3
10	0.009.1629.2/50	1	support
13	2.0112.201.2	3	screw m 8 p.1.25 x 10
14	2.1470.004.2	3	washer 8
15	2.1142.005.2	3	insert m 8
18	2.1011.101.2	2	nut m 4 p.0.7
19	2.1470.052.2	2	lock washer 4
26	0.007.7059.0	1	electronic unit
27	2.7659.130.0/10	1	push-button
28	2.8339.206.0/10	1	electronic unit
29	0.009.0500.0	4	plug 50x26
30	2.0332.307.2	2	screw m 5 p.0.8 x 20
31	2.1310.001.2	2	flat washer 5.3
32	2.1011.102.2	2	nut m 5 p.0.7
36	2.1011.105.2	1	nut m 8 p.1.25
37	2.1310.004.2	1	flat washer 8.5
38	2.1470.004.2	1	washer 8

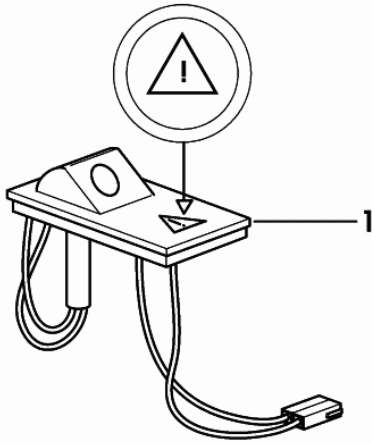
**ELECTRONIC POWER SHIFT + SBA ELECTRICAL SYSTEM FOR CAB**

Fig.	Code	QTY	Name
------	------	-----	------

**Notes:**

3525 &lt;- X SILVER 160 1525 &lt;- X SILVER 180

1	2.8339.108.0	1	warning light
---	--------------	---	---------------



9\_48884\_19\_0\_0

Section: ELECTRIC AL SYSTEM

**ELECTRONIC POWER SHIFT + SBA ELECTRICAL SYSTEM**

9\_48884\_16\_0\_0

Fig.	Code	QTY	Name
1	0.011.1364.4/10	1	electrical system
1.1	0.010.4758.0	1	wire mm 300
10	0.008.0925.0	1	clamp
11	0.008.0929.0	1	clamp
12	0.011.7710.0	1	plate
13	2.7659.096.0/10	1	switch
18	2.0112.309.2	1	screw m 10 p.1.5 x 25
19	2.1310.006.2	1	flat washer 10.5
20	2.1011.508.2	1	nut m 14 p.1.5
21	2.1310.009.2	1	flat washer 14
22	2.1474.012.2	1	washer 14
23	2.1474.010.2	1	washer 10
24	2.1560.006.0	1	gasket 10.2 x 16
25	2.1310.006.2	1	flat washer 10.5
26	2.1470.006.2	1	lock washer 10
27	2.1480.016.1	1	washer 12
28	0.011.7711.3	1	wire mm 100

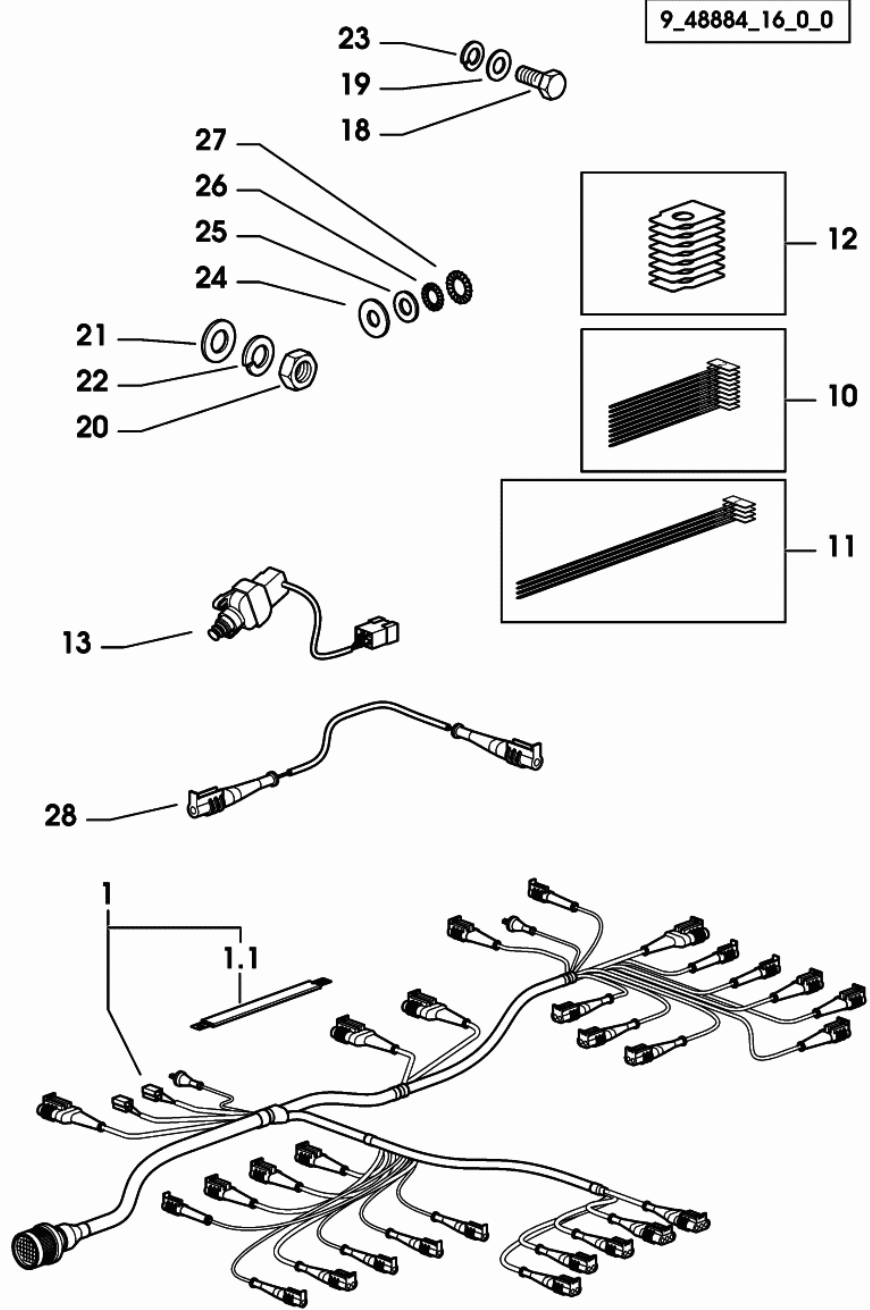
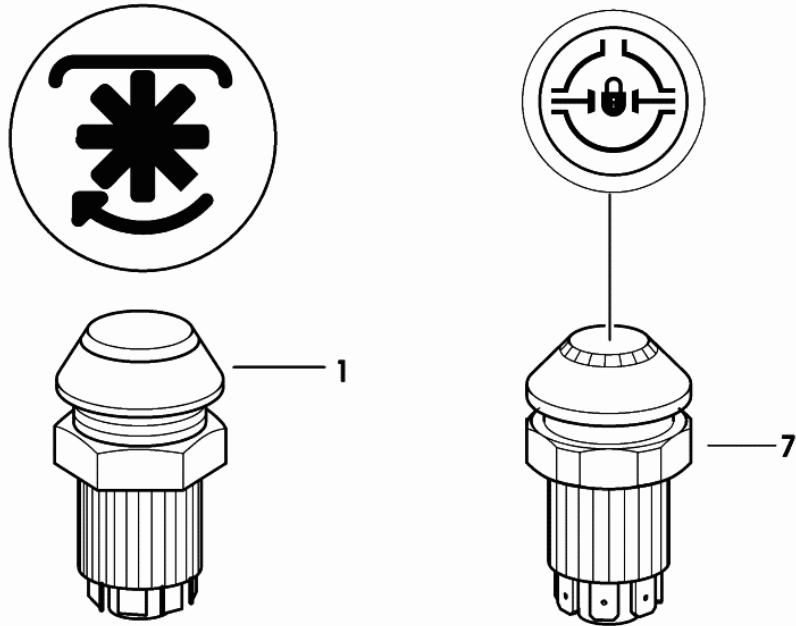


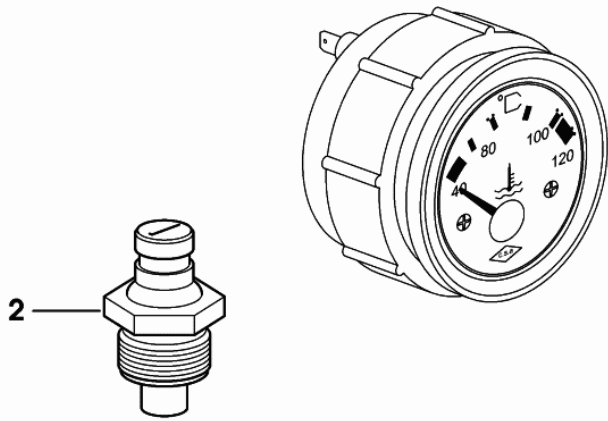
Fig.	Code	QTY	Name
1	2.7659.108.0/10	1	switch P.T.O.
7	0.008.1335.0	1	switch



9\_52684\_02\_0\_0

Section: ELECTRIC AL SYSTEM  
**COOLING WATER THERMOSTAT**

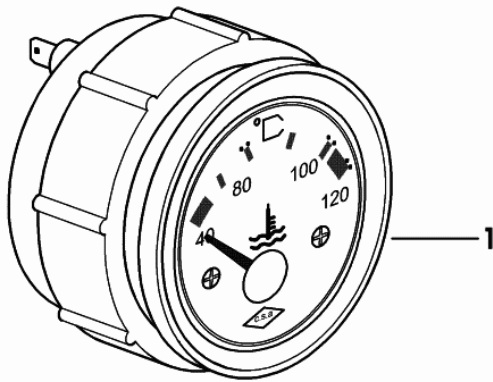
Fig.	Code	QTY	Name
2	2.7099.100.0/10	1	sensor



9\_50684\_02\_0\_0

**TEMPER.TRANSMITTER**

Fig.	Code	QTY	Name
1	0.008.1309.0	1	tempe guage ☞ 0.008.1309.0

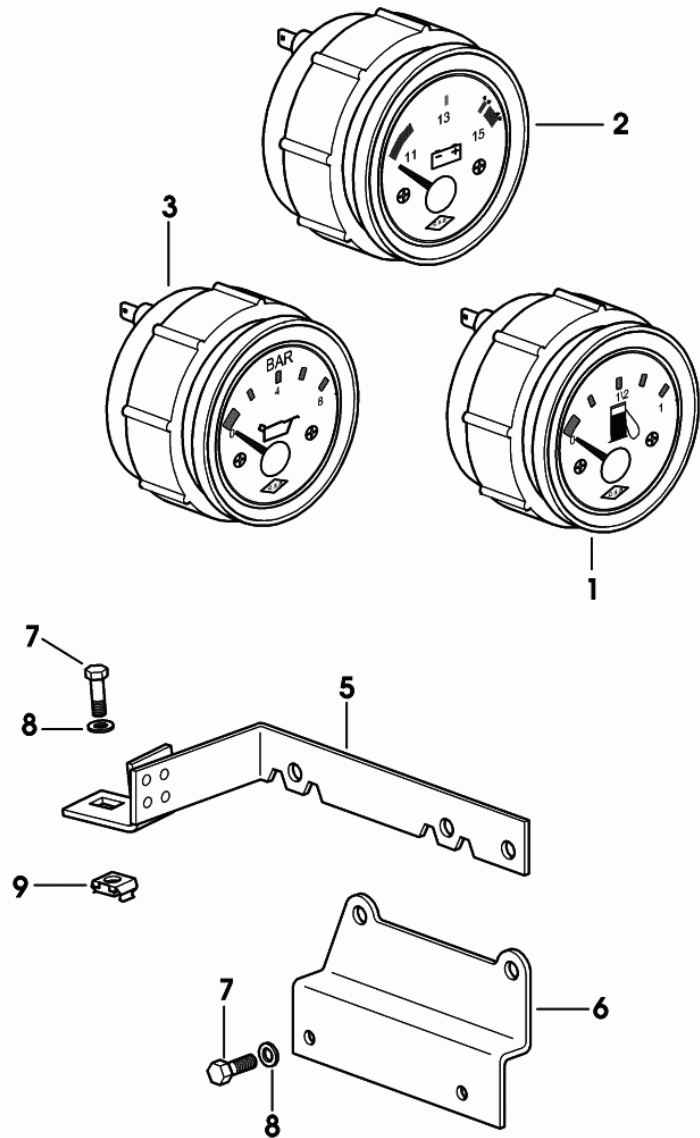


9\_52784\_06\_0\_0



**FUSE BOX BRACKETS - LEVEL INDICATORS**

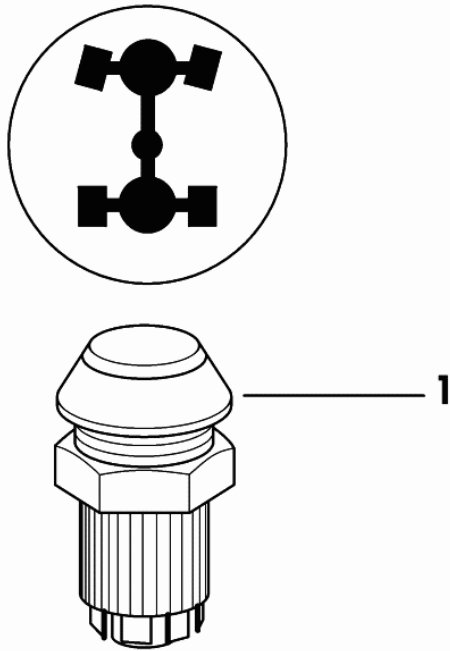
Fig.	Code	QTY	Name
1	0.008.1305.0	1	level indicator ☞ 0.008.1305.0
2	0.008.1306.0	1	voltmeter ☞ 0.008.1306.0
3	0.008.1307.0	1	tempe guage ☞ 0.008.1307.0
5	0.009.1906.2/10	1	bracket
6	0.009.1905.2	1	bracket
7	2.0112.005.2	3	screw m 6 p.1 x 16
8	2.1310.002.2	3	washer 6.6, d125
9	2.6999.031.2	1	special nut m 6



9\_49284\_04\_0\_0

**4WD - ENGAGEMENT CONTROL - FOR TYPES WITH "S.B.A. SYSTEM"**

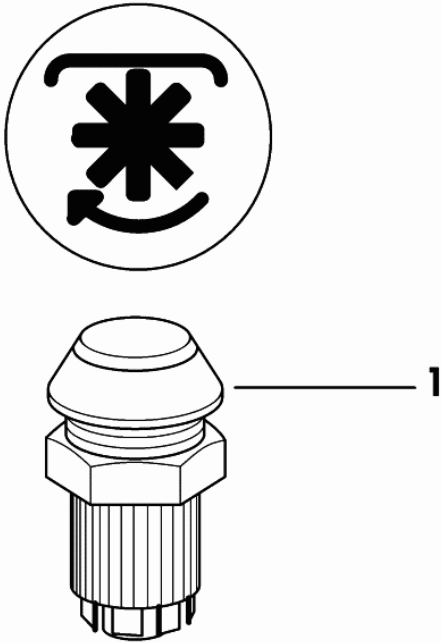
Fig.	Code	QTY	Name
1	0.007.5945.0/20	1	switch 4 WD



9\_52684\_04\_0\_0

Section: ELECTRIC AL SYSTEM  
**SWITCH - FOR P.T.O. FRONT**

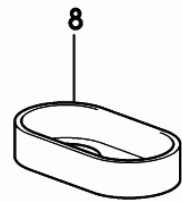
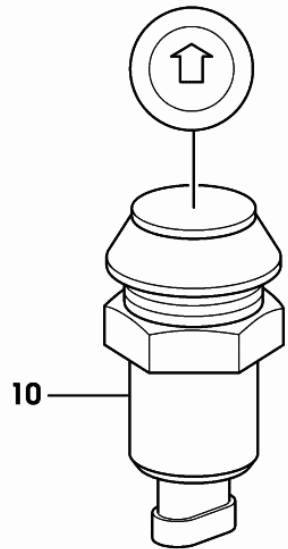
Fig.	Code	QTY	Name
1	2.7659.108.0/10	1	switch P.T.O.



9\_52684\_05\_0\_0

**POWER-LIFT ELECTRONIC SYSTEM**

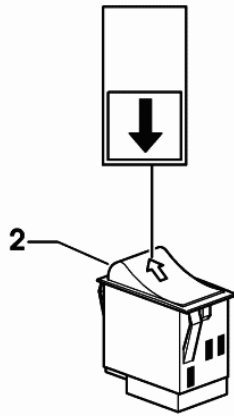
Fig.	Code	QTY	Name
8	0.009.2887.0	2	guard
10	2.7659.141.0	4	switch



9\_52759\_52\_0\_0

**POWER-LIFT ELECTRONIC SYSTEM**

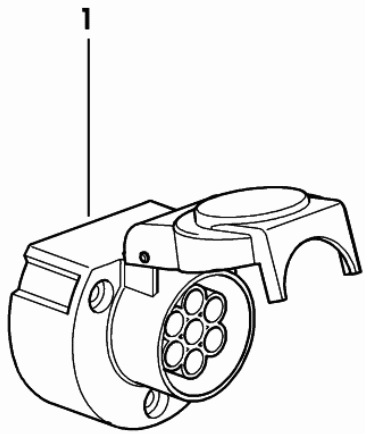
Fig.	Code	QTY	Name
2	2.7659.119.0	1	switch



9\_49259\_52\_0\_0

Section: ELECTRIC AL SYSTEM  
**SOCKET-OUTLET - 7 POLE**

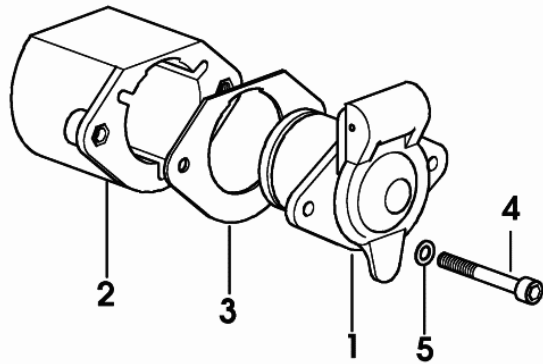
Fig.	Code	QTY	Name
1	2.6030.011.0	1	socket



9\_62084\_40\_0\_0

Section: ELECTRIC AL SYSTEM  
**TRAILER SOCKET-OUTLET**

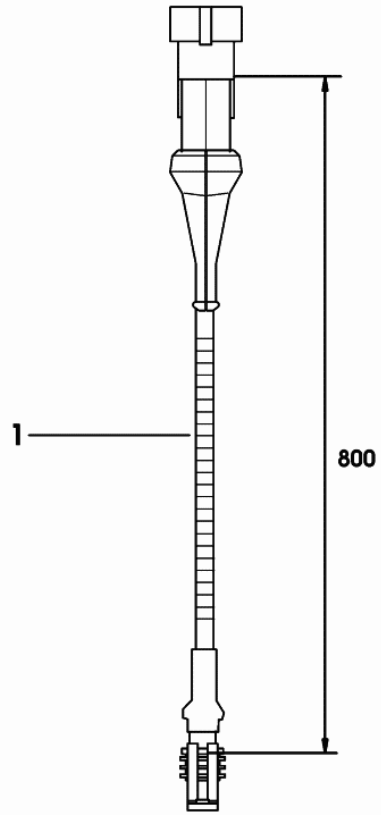
Fig.	Code	QTY	Name
1	2.6039.027.0	1	socket
2	0.011.5033.0	1	power control
3	0.011.5044.0	1	gasket
4	2.0313.206.7	2	screw m 8 p.1.25 x 20
5	2.1310.004.3	2	washer 8.4x17



9\_62084\_41\_0\_0

**ELECTRICAL LEAD FOR HYDRAULIC TRAILER BRAKING**

Fig.	Code	QTY	Name
1	0.012.2103.3	1	wire L = mm 800



AL SENSORE PRESS.RIMORCHIO  
TO TRAILER PRESSURE SENSOR

9\_52689\_05\_0\_A



Section: ELECTRIC AL SYSTEM  
**ELECTRIC STARTING SYSTEM**

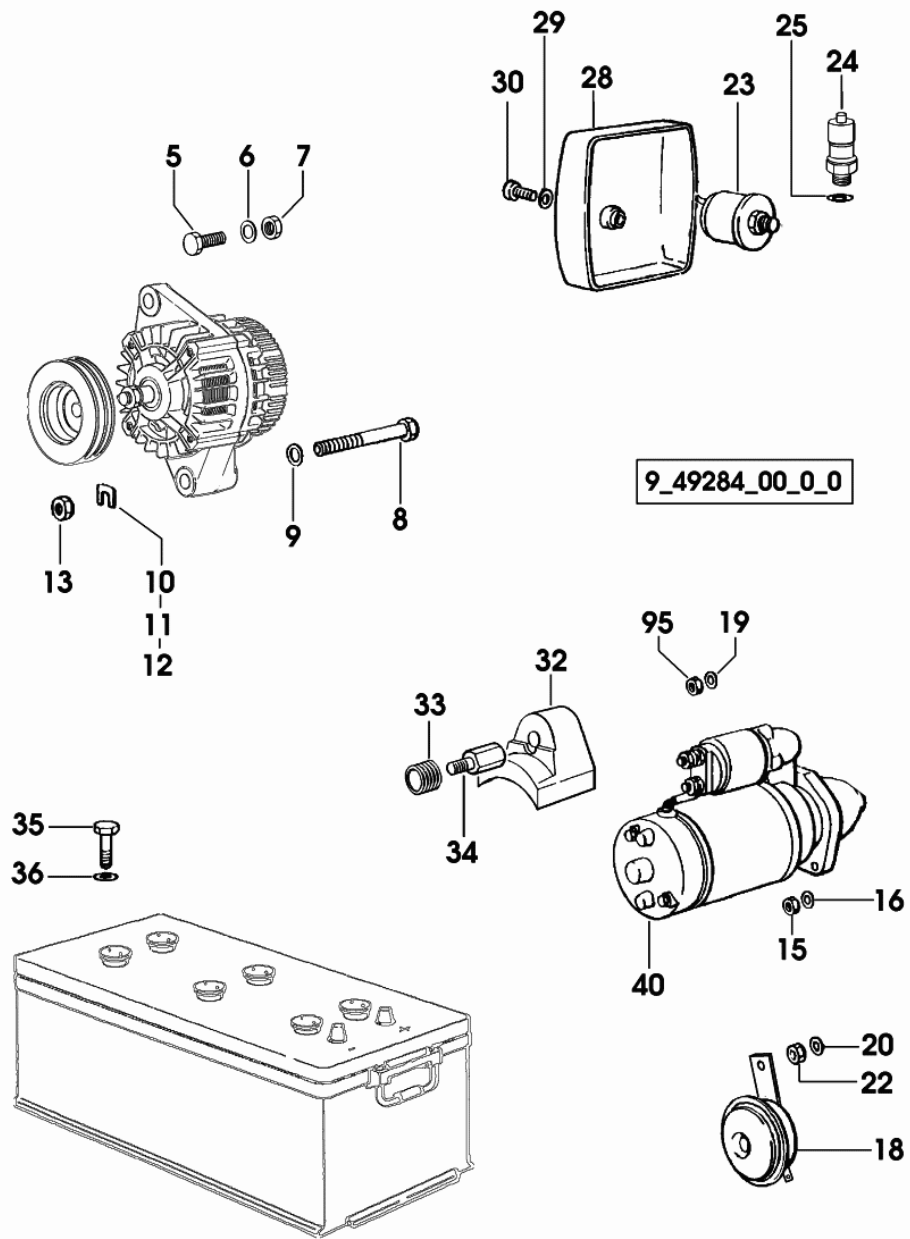
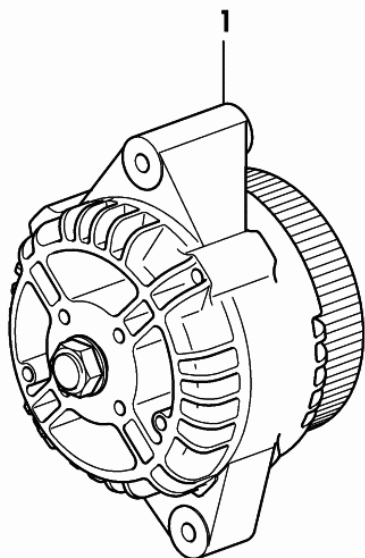


Fig.	Code	QTY	Name
5	2.0112.213.2	1	screw m 8 p.1.25 x 35
6	2.1310.004.2	1	flat washer 8.5
7	2.1011.105.2	1	nut m 8 p.1.25
8	2.0122.483.2	1	screw m 12 x 120
9	2.1310.007.2	1	flat washer 13.5
10	0.167.8460.0	1	small plate mm 3.00
11	0.167.8461.0	1	small plate mm 1.00
12	0.167.8462.0	1	small plate mm 2.00
13	2.1011.422.2	1	nut m 12 p.1.25
15	2.1011.422.2	1	nut m 12 p.1.25
16	2.1474.011.2	1	spring washer 12
18	2.8419.006.0	1	horn
19	2.1474.010.2	1	washer 10
20	2.1499.057.1	1	washer 8.2x23
22	2.1011.105.2	1	nut m 8 p.1.25
23	2.7099.270.0	1	device
24	2.7099.940.0	1	pressure switch 0.4 - 0.7 BAR
25	2.1560.008.0	1	gasket 12.2 x 18
28	0.010.7043.0	1	guard
29	2.1480.012.1	1	washer 6, d128
30	2.0312.106.2	1	screw m 6 p.1 x 20
32	0.008.0391.0	1	cover
33	0.008.0378.0	1	cover
34	0.008.0616.0	1	pipe fitting
35	2.0112.411.2	1	screw m 12 p.1.75 x 30
36	2.1310.007.2	1	flat washer 13.5
40	2.9619.390.0	1	starter motor 12 V, 3 kW, Z = 9 COMPONENT PARTS SEE COMPONENTS LIST ☞ 2.9619.390.0 ☞ 08.00.43
95	2.1011.106.2	1	nut m 10 p.1.5

**ALTERNATOR 85A**

Fig.	Code	QTY	Name
1	2.9439.460.0/10	1	alternator 14V - 85A - ISKRA COMPONENT PARTS SEE COMPONENTS LIST ☞ 2.9439.460.0/10 ☞ 08.00.44



9\_72784\_01\_0\_0

Section: ELECTRIC AL SYSTEM  
**ALTERNATOR MOUNTINGS**

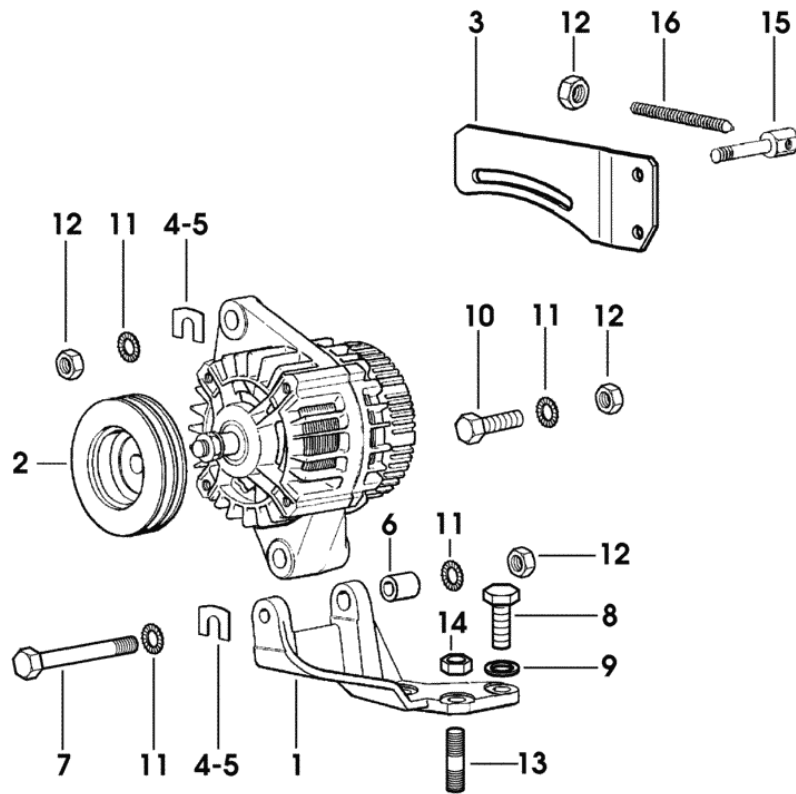


Fig.	Code	QTY	Name
1	0.009.7948.0/10	1	support
2	0.009.7950.0/10	1	pulley
3	0.009.7965.0/20	1	bracket
4	0.009.7981.0	1	shim mm 1.00
5	0.009.7982.0	1	shim mm 2.00
6	2.1559.358.2/10	1	bushing 8.1 x 14 x 23
7	2.0112.231.2	1	screw m 8 p.1.25 x 110
8	2.0112.311.2	1	screw m 10 p.1.5 x 30
9	2.1310.006.2	3	flat washer 10.5
10	2.0112.220.2	2	screw m 8 p.1.25x55
11	2.1310.004.2	6	flat washer 8.5
12	2.1011.105.2	3	nut m 8 p.1.25
13	2.0432.155.7	2	stud bolt m 10 p.1.5 / p. 1.25 x 25
14	2.1011.421.2	2	nut m 10 p.1.25
15	0.007.7716.0	1	pin
16	2.0119.215.2	1	screw m 8 p.1.25 x 125

9\_33784\_50\_0\_0

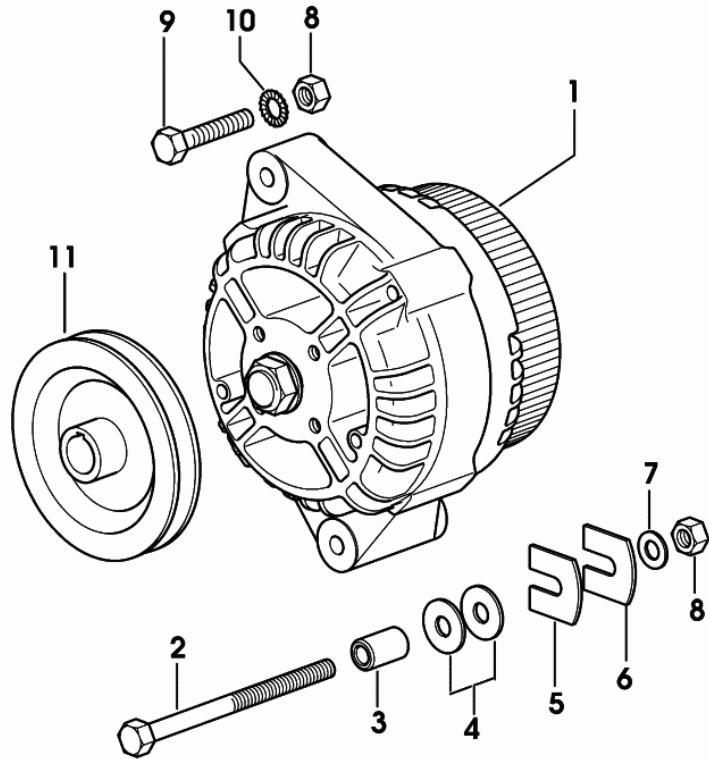
**ALTERNATOR - FOR TYPES WITH HEATING AND AIR CONDITIONING**

Fig.	Code	QTY	Name
1	2.9439.460.0/10	1	alternator 14V - 85A - ISKRA COMPONENT PARTS SEE COMPONENTS LIST ☞ 2.9439.460.0/10 ☞ 08.00.44
2	2.0113.232.2	1	screw m 8 p.1.25x115
3	2.1559.358.2/10	1	bushing 8.1 x 14 x 23
4	2.1312.004.2	2	washer 8.4
5	0.009.7981.0	1	shim mm 1.00
6	0.009.7982.0	1	shim mm 2.00
7	2.1310.004.2	1	flat washer 8.5
8	2.1011.105.2	2	nut m 8 p.1.25
9	2.0112.217.2	1	screw m 8 p.1.25 x 45
10	2.1470.004.2	1	washer 8
11	0.009.7949.0/10	1	pulley

9\_48884\_08\_0\_0

**ALTERNATOR MOUNTINGS - FOR TYPES WITH HEATING AND AIR  
CONDITIONING**

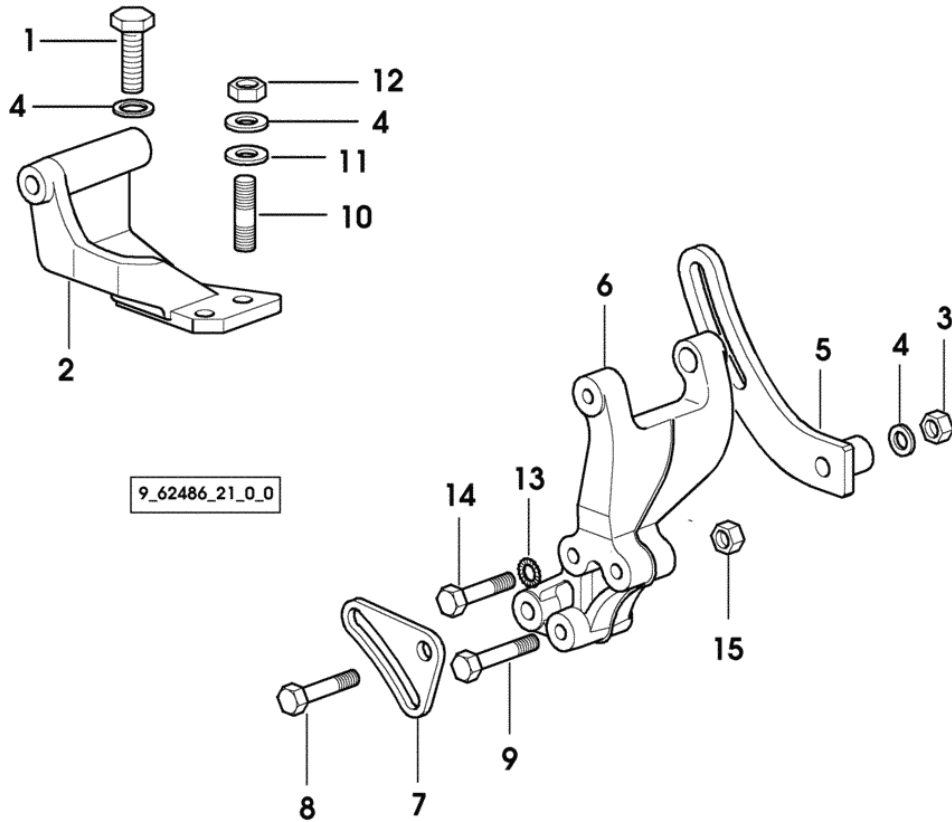
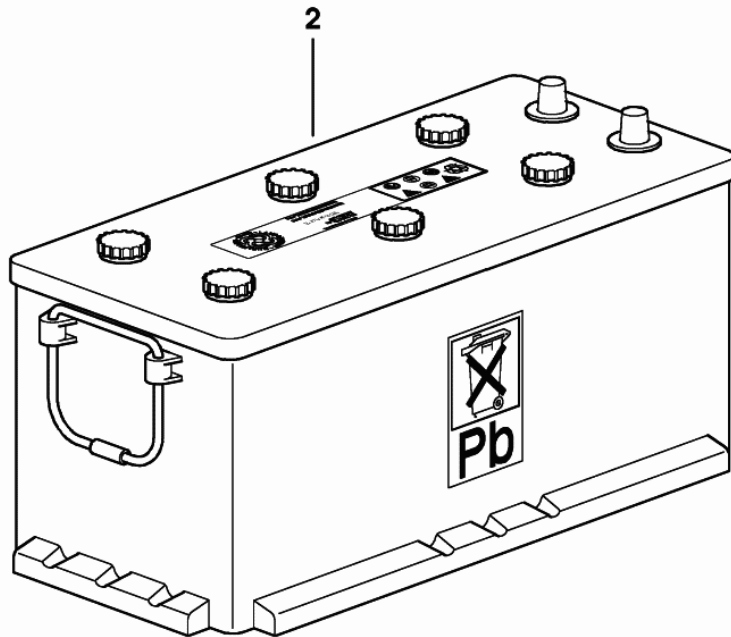


Fig.	Code	QTY	Name
1	2.0112.311.2	1	screw m 10 p.1.5 x 30
2	0.98538.50.0/40	1	support
3	2.1011.106.2	1	nut m 10 p.1.5
4	2.1470.006.2	4	lock washer 10
5	0.009.7966.0	1	tensioner
6	0.009.7947.0/10	1	support
7	0.98538.54.0/10	1	tensioner
8	2.0112.322.2	1	screw m 10 p.1.5x65
9	2.0112.226.2	2	screw m 8 p.1.25 x 85
10	2.0432.155.7	2	stud bolt m 10 p.1.5 / p. 1.25 x 25
11	2.1599.560.2	2	washer 10.5x22x3
12	2.1011.421.2	2	nut m 10 p.1.25
13	2.1470.004.2	1	washer 8
14	2.0112.226.2	1	screw m 8 p.1.25 x 85
15	2.1011.105.2	1	nut m 8 p.1.25

Section: ELECTRIC AL SYSTEM  
**BATTERY 12V 180Ah 800A**

Ref.: 08.00.35

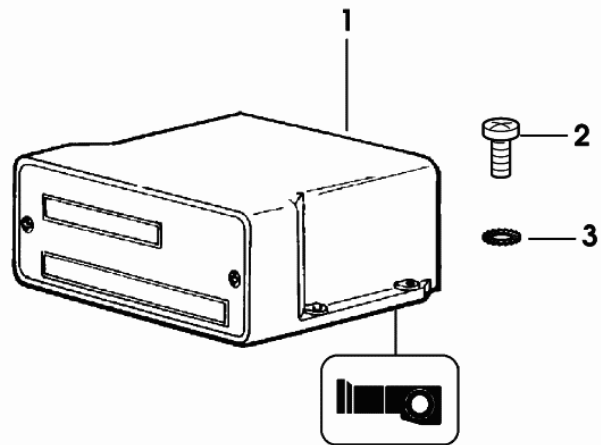
Fig.	Code	QTY	Name
2	2.9559.047.0	1	battery 12V 180Ah 800A



9\_40584\_07\_0\_0

**TRANSMISSION CONTROL UNIT 30 Km/h**

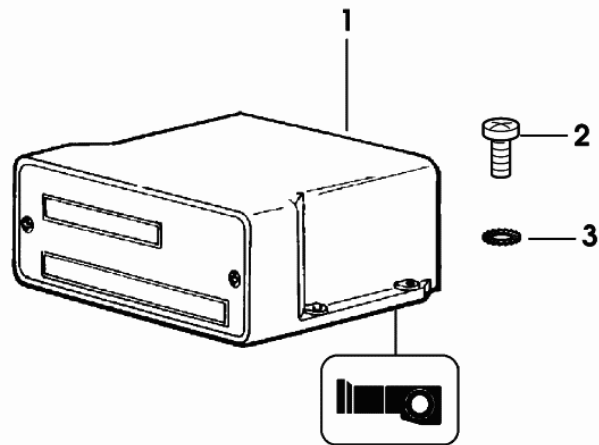
Fig.	Code	QTY	Name
1	0.010.9725.4/20	1	electronic unit
2	2.0332.306.2	2	screw m 5x0.8x16
3	2.1470.001.2	2	lock washer 5



9\_48884\_18\_0\_0

Section: ELECTRIC AL SYSTEM  
**CONTROL UNIT - GEARS 40 Km/h**

Fig.	Code	QTY	Name
1	0.010.9726.4/20	1	electronic unit
2	2.0332.306.2	2	screw m 5x0.8x16
3	2.1470.001.2	2	lock washer 5



9\_48884\_17\_0\_0



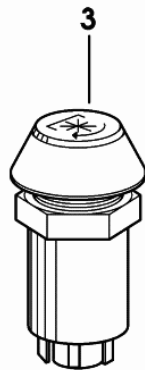
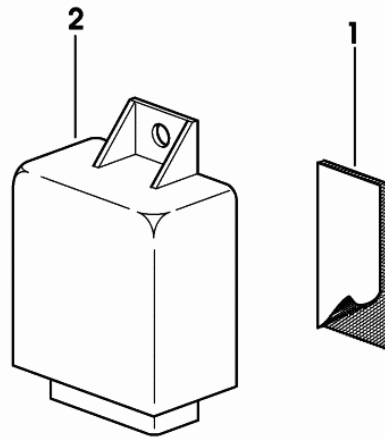
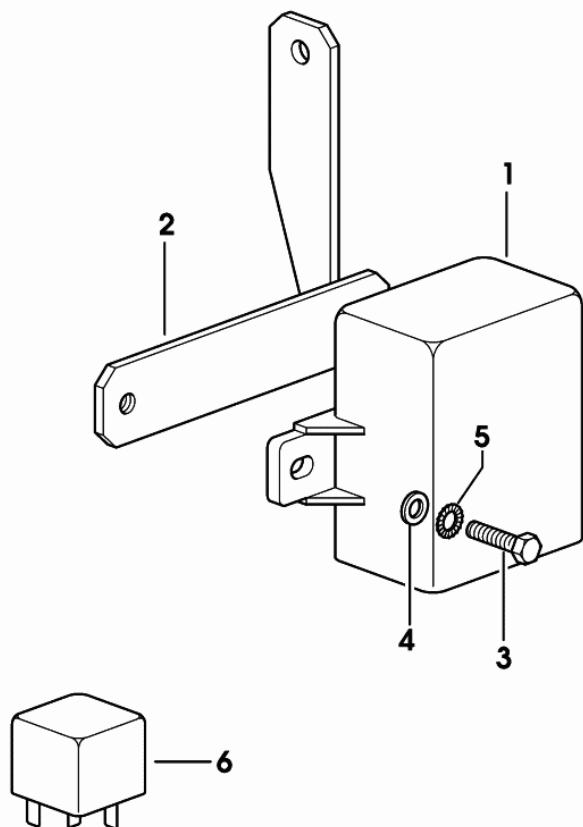
Section: ELECTRIC AL SYSTEM  
**CONTROL UNIT - P.T.O. SHAFT**

Fig.	Code	QTY	Name
1	0.011.3567.3	1	guard
2	0.010.1796.4/20	1	electronic unit
3	2.7659.142.0	1	push-button

9\_49284\_23\_0\_0

Section: ELECTRIC AL SYSTEM  
**PREHEATING CONTROL UNIT**

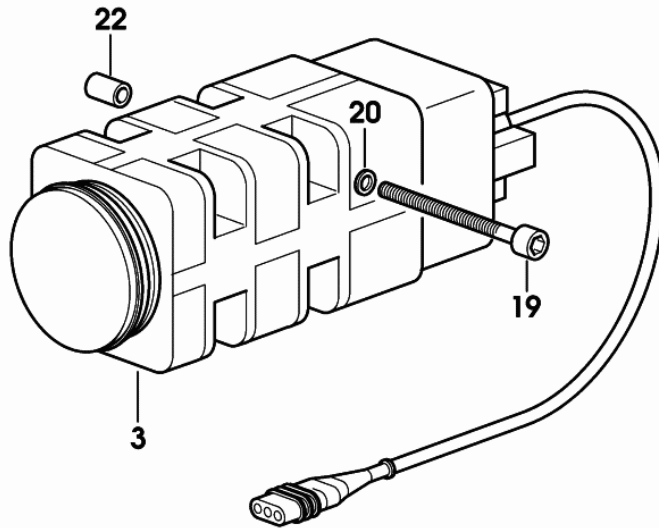
Fig.	Code	QTY	Name
1	0.008.0618.4/20	1	central device
2	0.008.0390.2/40	1	square
3	2.0112.003.2	2	screw m 6 p.1 x 12
4	2.1310.002.2	2	washer 6.6, d125
5	2.1470.002.2	2	washer 6, d128
6	2.7659.107.0	1	relay 12V-30A



9\_62084\_30\_0\_0

**RADAR**

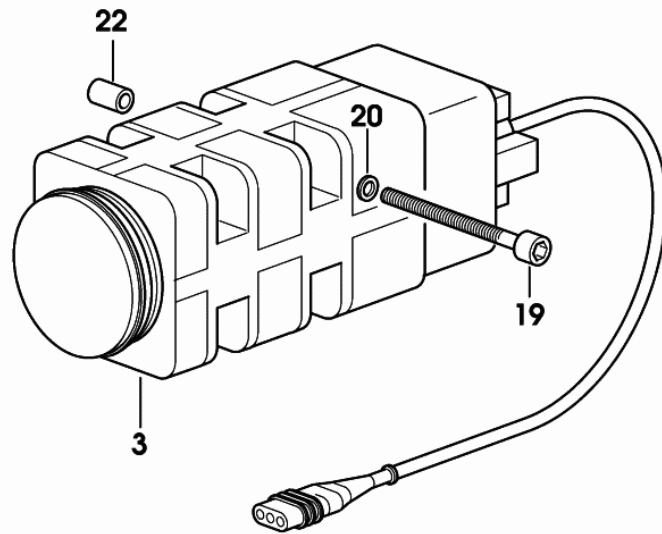
Fig.	Code	QTY	Name
3	0.008.8048.4/10	1	radar "dickey-john"
19	2.0313.126.7	4	screw m 6 p.1x100
20	2.1310.002.3	4	flat washer 6.4 x 12 x 1.6
22	2.1579.830.0	4	spacer 8.3X13.5X22



9\_67884\_61\_0\_0

**RADAR - EXPORT GB**

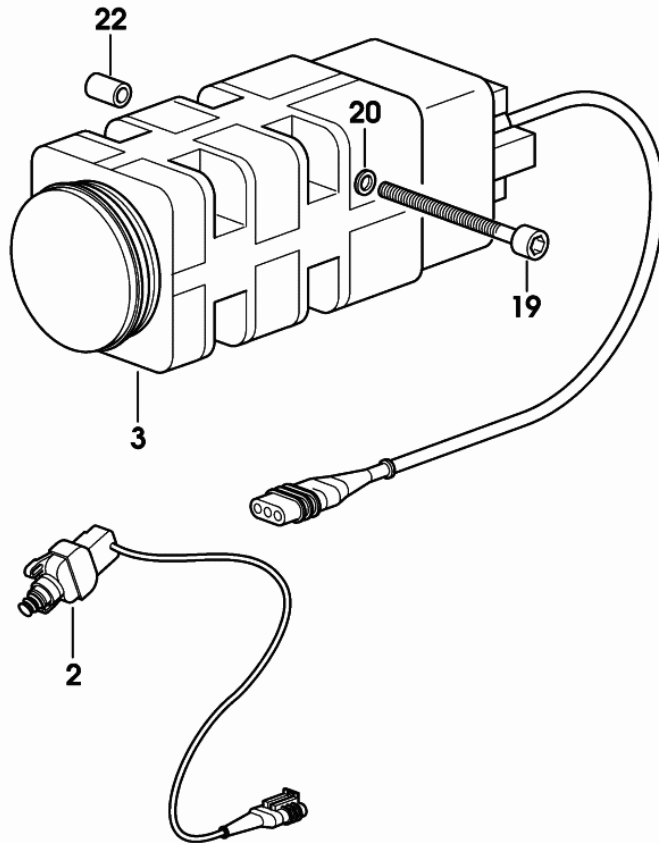
Fig.	Code	QTY	Name
3	0.010.7172.4	1	radar "dickey-john"
19	2.0313.126.7	4	screw m 6 p.1x100
20	2.1310.002.3	4	flat washer 6.4 x 12 x 1.6
22	2.1579.830.0	4	spacer 8.3X13.5X22



9\_67884\_63\_0\_0

**ELECTRICAL SYSTEM PERFORMANCE MONITOR AND RADAR**

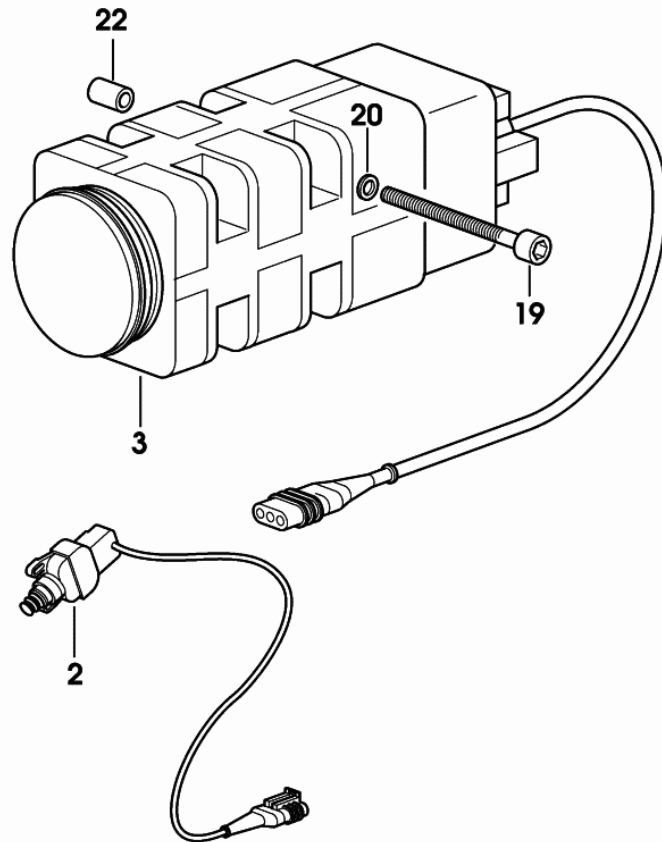
Fig.	Code	QTY	Name
2	2.7659.096.0/10	2	switch
3	0.008.8048.4/10	1	radar "dickey-john"
19	2.0313.126.7	4	screw m 6 p.1x100
20	2.1310.002.3	4	flat washer 6.4 x 12 x 1.6
22	2.1579.830.0	4	spacer 8.3X13.5X22



9\_48884\_61\_0\_A

**ELECTRICAL SYSTEM PERFORMANCE MONITOR AND RADAR EXPORT GB**

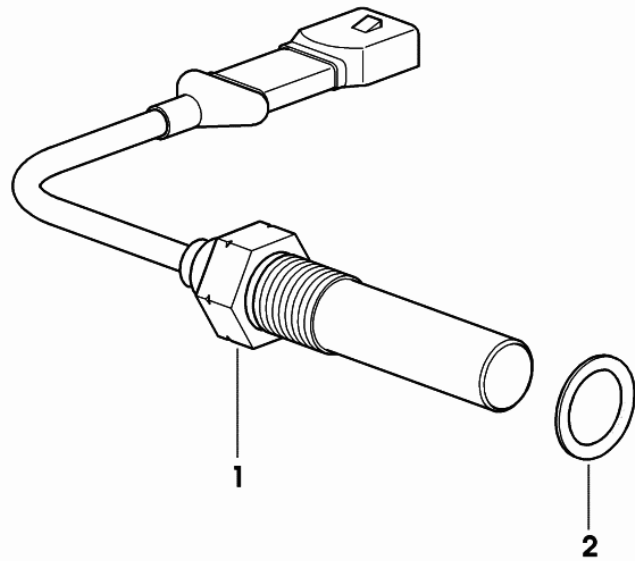
Fig.	Code	QTY	Name
2	2.7659.096.0/10	2	switch
3	0.010.7172.4	1	radar "dickey-john"
19	2.0313.126.7	4	screw m 6 p.1x100
20	2.1310.002.3	4	flat washer 6.4 x 12 x 1.6
22	2.1579.830.0	4	spacer 8.3X13.5X22



9\_48884\_64\_0\_A

**SPEED SENSOR**

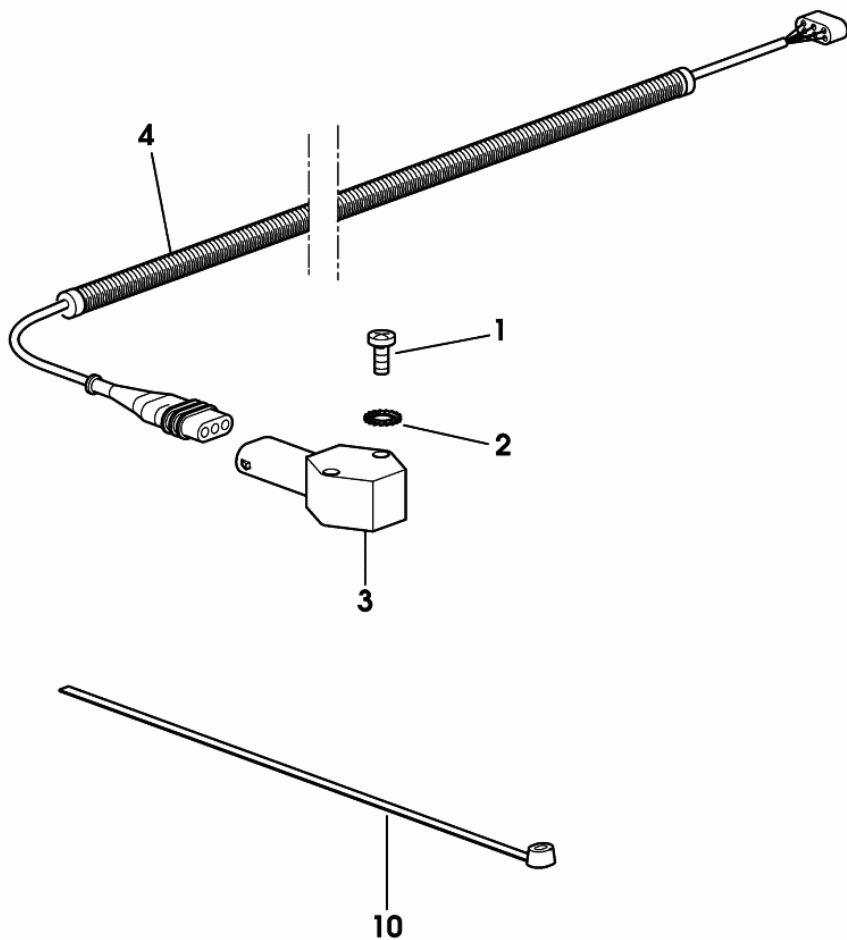
Fig.	Code	QTY	Name
1	0.008.1646.0	1	speed sensor
2	2.1560.014.0	1	gasket 18.2 x 24 x 1.5



9\_48884\_63\_0\_0

**SBA SENSOR**

Fig.	Code	QTY	Name
1	2.0332.210.3	2	screw m 4x35
2	2.1470.052.2	2	lock washer 4
3	2.7099.740.0	1	position sensor
4	0.011.3335.3	1	wire
10	0.98503.67.0	1	clamp



9\_49282\_10\_0\_0



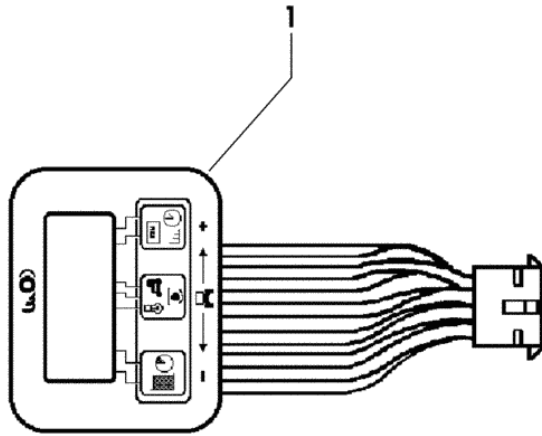
**ELECTRICAL SYSTEM PERFORMANCE MONITOR AND RADAR**

Fig.	Code	QTY	Name
------	------	-----	------

**Notes:**

3506 <- X SILVER 160 1513 <- X SILVER 180

1	0.008.8057.0/20	1	monitor
---	-----------------	---	---------



9\_49284\_60\_0\_0

Section: ELECTRIC AL SYSTEM

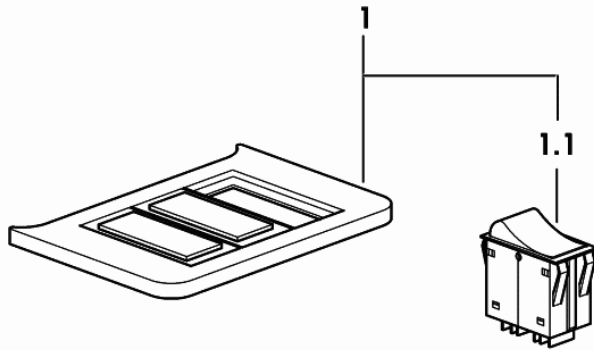
**PIECE COUNTER PUSHBUTTON PANEL**

Fig.	Code	QTY	Name
------	------	-----	------

**Notes:**

3506 &lt;- X SILVER 160 1513 &lt;- X SILVER 180

1	0.008.1354.4	1	push-button
1.1	2.7659.074.0	1	push-button



9\_52684\_67\_0\_0

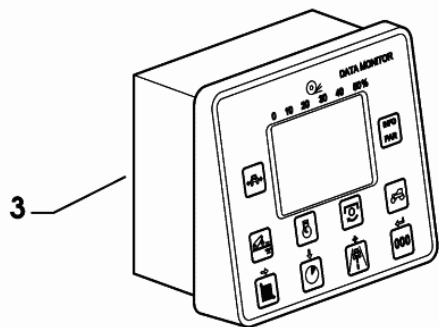
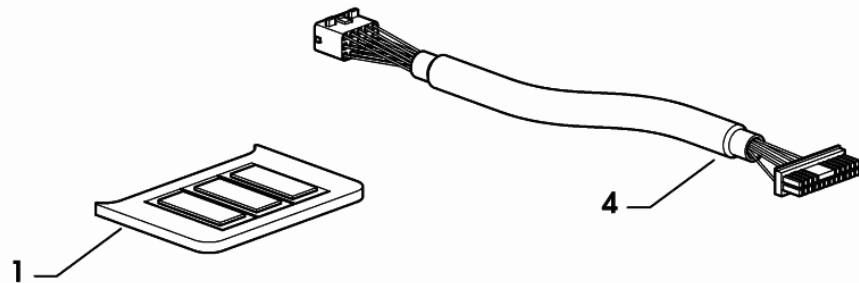
**WORKING COMPUTER**

Fig.	Code	QTY	Name
------	------	-----	------

**Notes:**

-> 3507 X SILVER 160 -> 1514 X SILVER 180

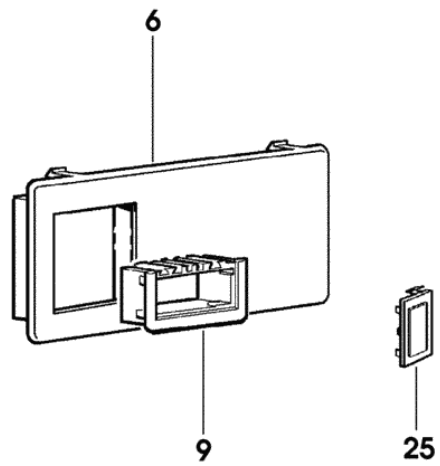
1	0.010.0839.4	1	plug
3	0.009.7680.4/30	1	monitor
4	0.012.8733.4	1	wire



9\_49284\_64\_0\_0

**FASTENINGS**

Fig.	Code	QTY	Name
6	0.009.6675.0	1	screen
9	0.009.6724.0	2	frame
25	0.009.0500.0	1	plug 50x26



9\_67884\_62\_0\_0

# SILVER 160

## ENGINE

### GENERAL

CRANKCASE.....	01.00.1
GUARD PLATE.....	01.00.2
TIMING CASE.....	01.00.3
CASING COVER.....	01.00.4
CONNECTING FLANGE.....	01.00.5
CRANKSHAFT.....	01.00.6
CRANKSHAFT PULLEY.....	01.00.7
CYLINDER - PISTON - CONNECTING ROD.....	01.00.8
ENGINE FLYWHEEL.....	01.00.9
CAMSHAFT.....	01.00.10
CYLINDER HEAD.....	01.00.11
INLET AND EXHAUST VALVES.....	01.00.12
OIL PAN.....	01.00.13
LUBRICATION.....	01.00.14
OIL PUMP.....	01.00.15
RADIATOR.....	01.00.16
LUBRICATION.....	01.00.17
LUBRICATION.....	01.00.18
LUBRICATION EXPORT U.S.A.....	01.00.19
OIL FILTERS.....	01.00.21
OIL PIPES FOR TURBOCHARGER.....	01.00.22
FUEL SUPPLY SYSTEM.....	01.00.23
FUEL SUPPLY SYSTEM.....	01.00.24
INJECTION PUMP - INJECTOR.....	01.00.26
INJECTION LINES.....	01.00.27
FUEL SUPPLY SYSTEM.....	01.00.28
ELECTRONIC MOTOR CONTROLLER.....	01.00.29
ACTUATOR - FLANGIA.....	01.00.30
THERMO STARTER.....	01.00.31
WATER COOLING A = mm 18.....	01.00.33
WATER COOLING A = mm 22.....	01.00.34
WATER COOLING.....	01.00.35
COOLANT PUMP DRIVEBELT.....	01.00.36
V-BELT - FOR MODELS WITH COMPRESSOR.....	01.00.37
BLOWER.....	01.00.38
WATER COOLING.....	01.00.39
INTAKE AND EXHAUST.....	01.00.40
INTERCOOLER.....	01.00.42
SIDE EXHAUST SILENCER.....	01.00.43
GASKET SET FOR ENGINE ASSEMBLY.....	01.00.45



Section: ENGINE  
**CRANKCASE**

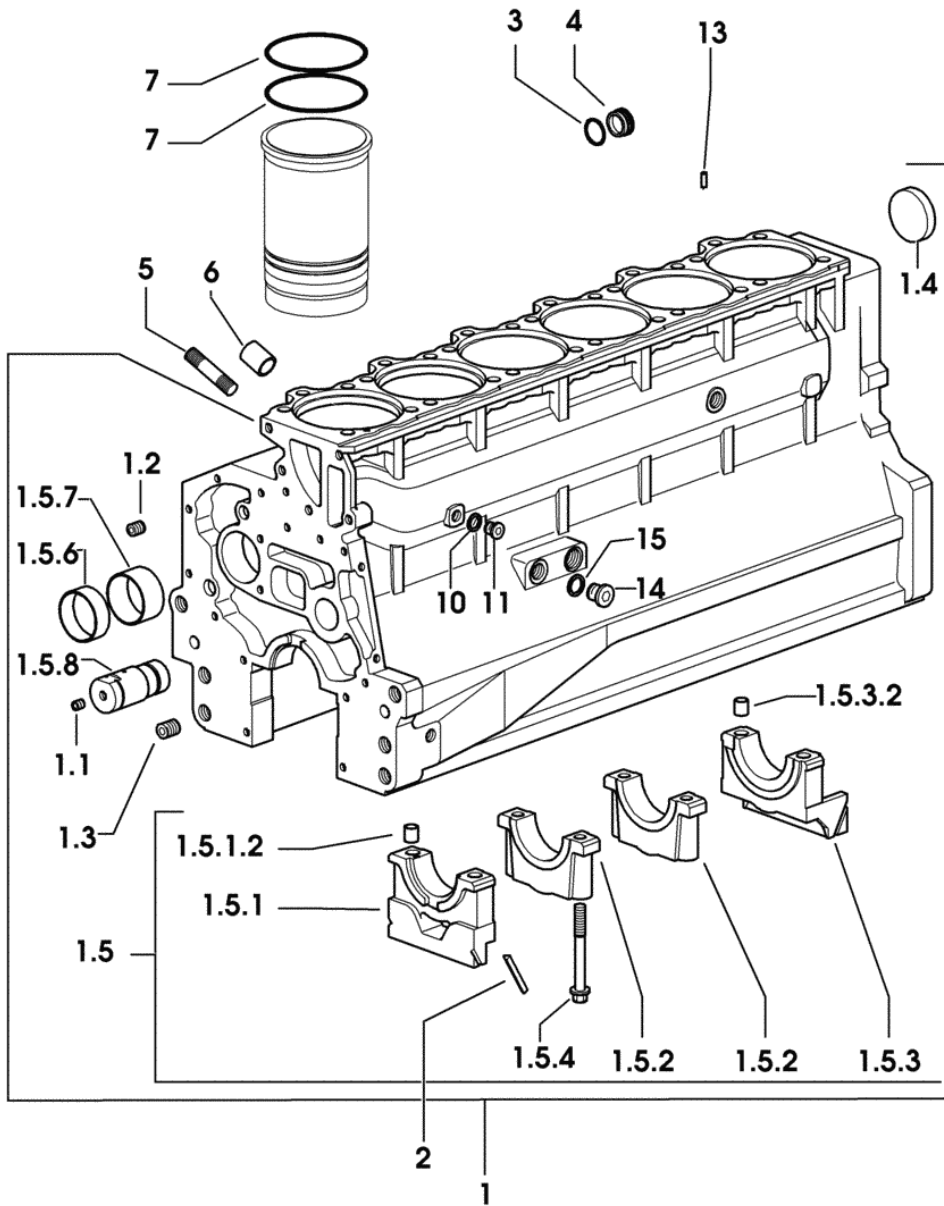
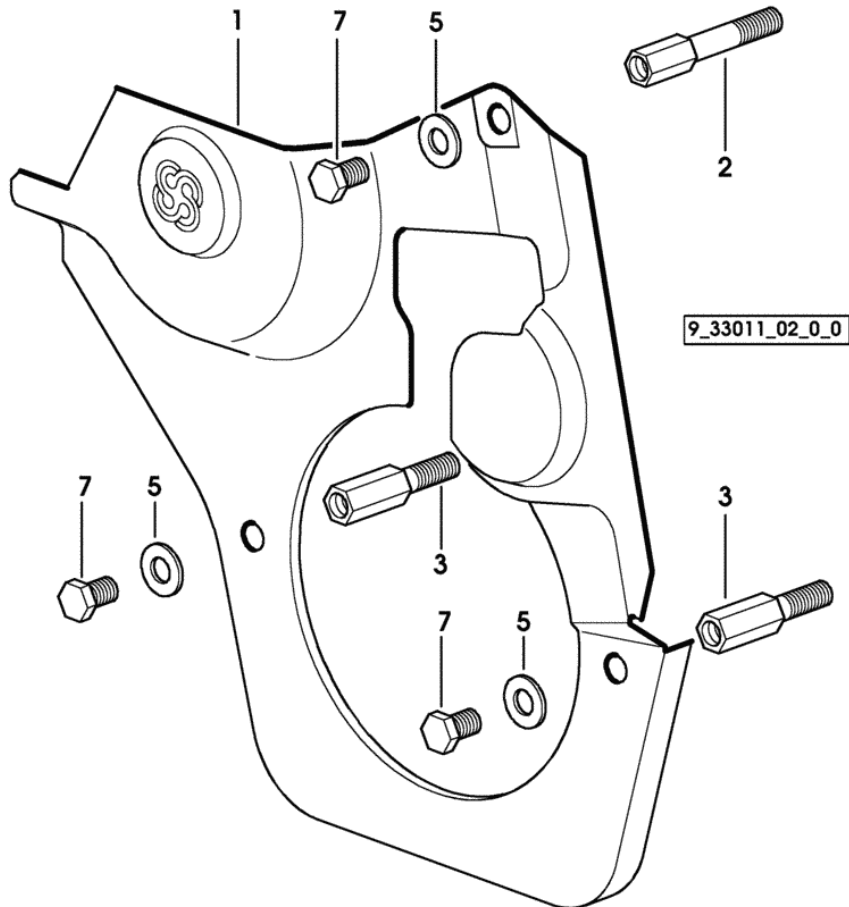


Fig.	Code	QTY	Name
1	0.007.1102.6/20	1	crankcase
1.1	2.3130.001.1	14	plug 1/8" gas
1.2	2.3130.002.1	2	plug 1/4" gas
1.3	2.3130.003.1	8	plug 3/8" gas
1.4	2.3179.012.0	1	plug 60
1.5	0.000.0000.1	0	not serviceable
1.5.1	0.065.1112.7	1	support
1.5.1.2	2.1699.165.0	1	sleeve 12.3x15x16
1.5.2	0.065.1114.0/10	5	support
1.5.3	0.007.0848.3/10	1	support
1.5.3.2	2.1699.165.0	1	sleeve 12.3x15x16
1.5.4	0.065.1117.0	14	screw m 12 x 100
1.5.6	0.065.1140.0	6	bushing 59X55X20
1.5.7	0.065.1141.0	1	bushing 59X55X30
1.5.8	0.066.1151.0	1	pin
2	0.066.1152.0/10	4	gasket
3	2.1532.072.0	1	'o' ring 26.70x1.78
4	2.3199.405.2	1	plug m 28 p.1.5
5	2.0432.003.7	18	stud bolt m 8 p.1.25 / p.1 x 20
6	2.1559.188.2	6	sleeve 11.4 x 14 x16
7	2.1539.193.0	12	'o' ring 107.62x2.62
10	2.1560.010.0	1	gasket 14.2 x 20 x 1.5
11	2.3199.292.0	1	plug 1/4" gas
13	2.1549.154.2	6	sleeve 4.8x5.8x16
14	2.3120.101.0	1	plug m 18 p.1.5
15	2.1560.014.0	1	gasket 18.2 x 24 x 1.5

9\_01311\_00\_0\_0

Section: ENGINE  
GUARD PLATE

Fig.	Code	QTY	Name
1	0.007.1262.3/50	1	sump
2	0.007.1271.0/10	1	small column m 8 p.1.25 / L = mm 60
3	0.007.1272.0/10	2	small column m 8 p.1.25 / L = mm 50
5	2.1310.004.2	3	flat washer 8.5
7	2.0112.203.2	3	screw m 8 p.1.25 x 12





**TIMING CASE**

9\_33611\_01\_0\_0

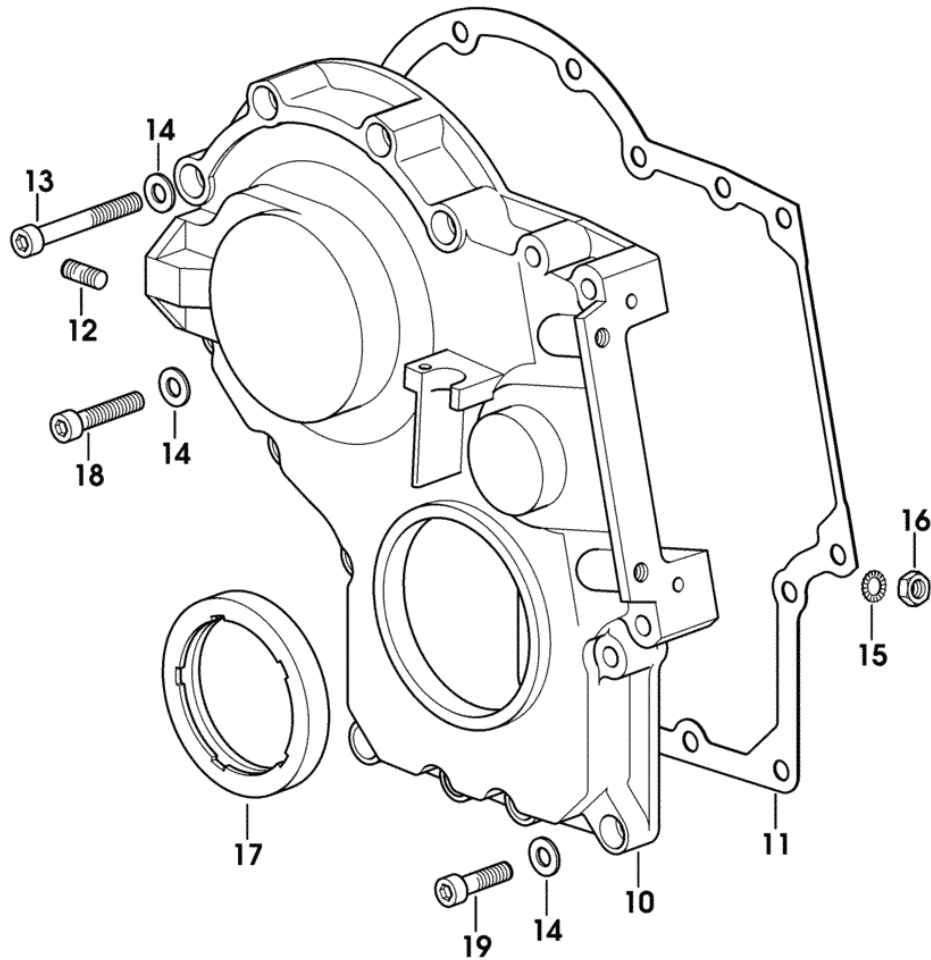
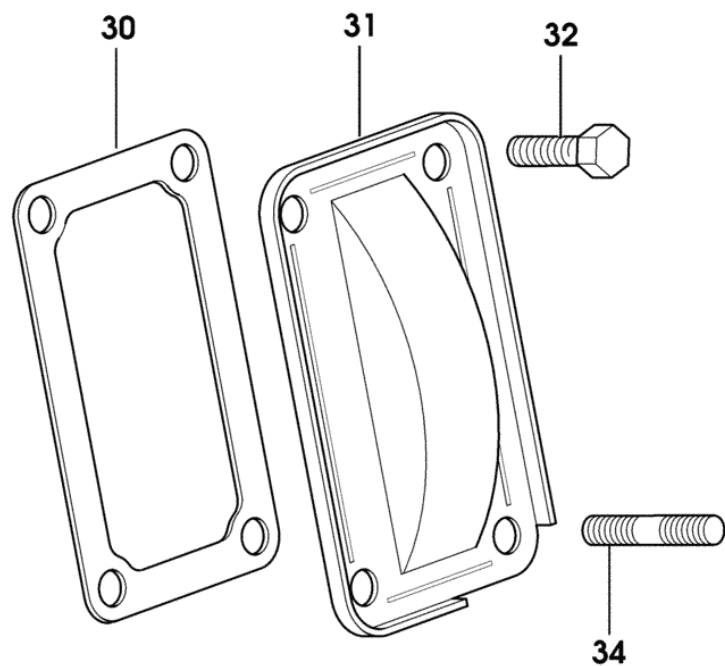


Fig.	Code	QTY	Name
10	0.013.4981.0	1	sump
11	0.065.1150.0/30	1	gasket
12	2.0432.003.7	2	stud bolt m 8 p.1.25 / p.1 x 20
13	2.0312.219.2	4	screw m 8 p.1.25x65
14	2.1480.014.1	15	washer 8
15	2.1470.004.2	4	washer 8
16	2.1011.405.2	2	nut m 8 p.1
17	2.1529.141.0	1	'o' ring
18	2.0312.214.2	3	screw m 8 p.1.25 x 40
19	2.0312.208.2	8	screw m 8 p.1.25 x 25

Section: ENGINE  
CASING COVER

Fig.	Code	QTY	Name
30	0.065.1152.0	1	gasket
31	0.065.1151.0	1	cover
32	2.0112.205.2	2	screw m 8 p.1.25 x 16
34	2.0432.005.7	2	stud bolt m 8 p.1.25 / p.1 x 25



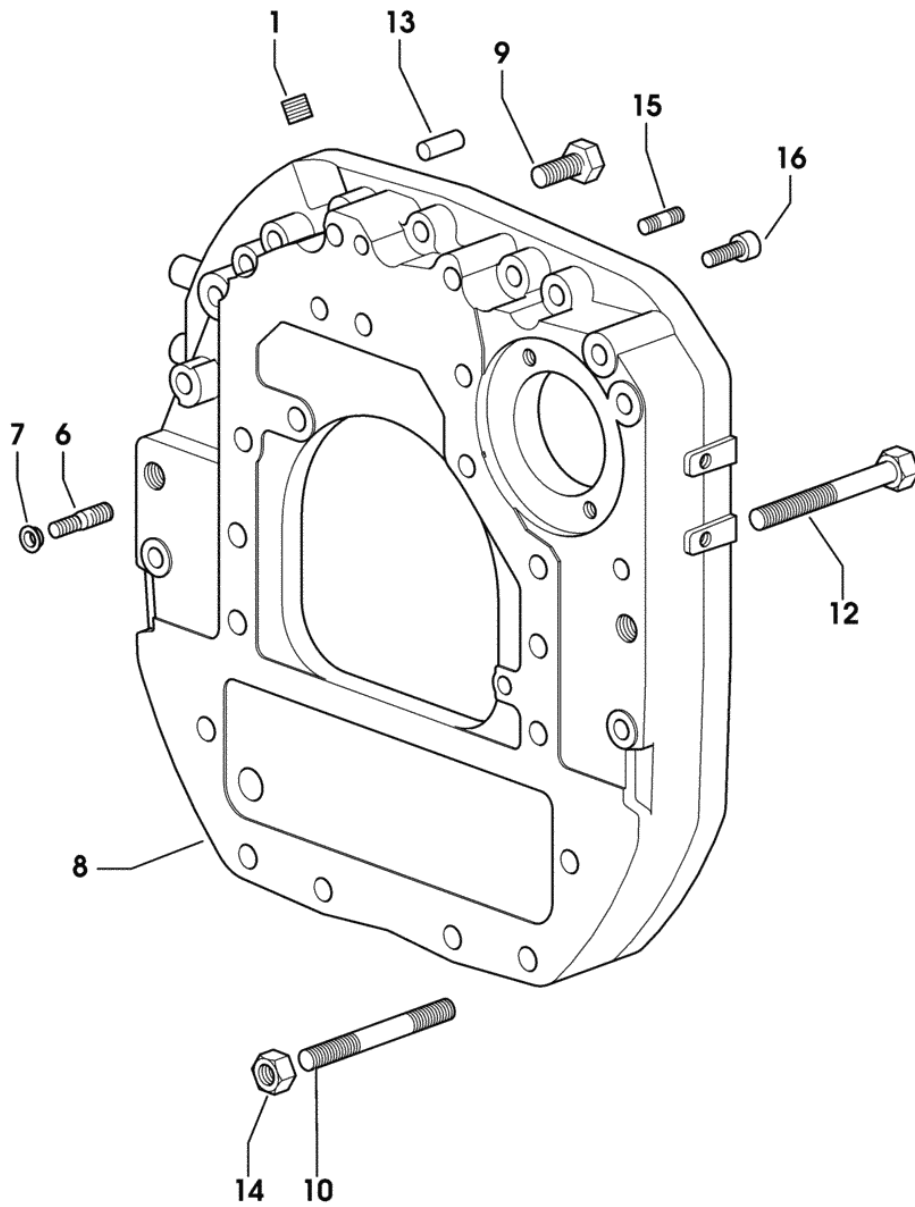
9\_33011\_04\_0\_0

Section: ENGINE

**CONNECTING FLANGE**

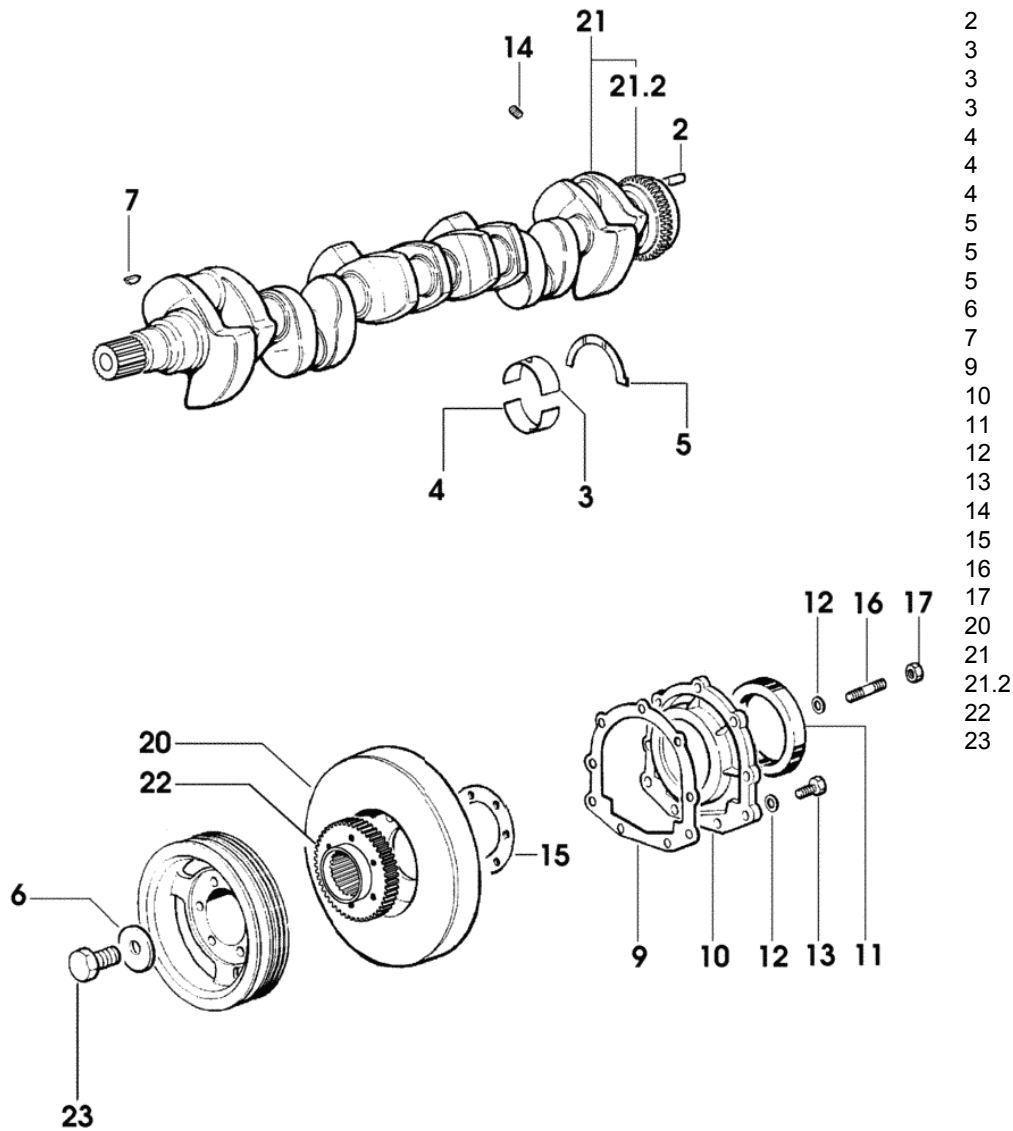
9\_34611\_01\_0\_0

Fig.	Code	QTY	Name
1	2.3131.003.2	1	plug m 16 p.1.5
6	2.0439.250.7	1	stud bolt m 12 / m 10 x 30
7	0.011.9294.0/10	1	sleeve
8	0.007.0809.0/20	1	flange
9	2.0112.513.2	11	screw m 14 p.2 x 35
10	2.0432.328.7	4	stud bolt m 14 p.2-1.5x130
12	2.0112.534.2	2	screw m 14 p.2x125
13	2.1651.911.0	2	cylindrical plug 12 x 24
14	2.1011.108.2	4	nut m 14 p.2
15	2.0432.257.7	1	stud bolt m 12 p.1.75 - 1.25 x 30
16	2.0312.520.2	2	screw m 14 p.2x70



Section: ENGINE  
**CRANKSHAFT**

Fig.	Code	QTY	Name
2	2.1651.915.0	1	pin 12x35
3	0.065.1215.0	7	main half bushing STANDARD
3	0.065.1215.7	0	main half bushing - mm 0.25
3	0.065.1215.8	0	main half bushing - mm 0.50
4	0.065.1216.0	7	main half bushing
4	0.065.1216.7	0	main half bushing - mm 0.25
4	0.065.1216.8	0	main half bushing - mm 0.50
5	0.065.1218.0	4	shim STANDARD
5	0.065.1218.7	0	shim + mm 0.10
5	0.065.1218.8	0	shim + mm 0.15
6	2.1599.524.7	1	washer 21x60x12
7	2.1720.006.0	1	key 4x6.5
9	0.065.1254.0/20	1	gasket
10	0.007.0851.0/10	1	cover
11	2.1529.073.0	1	'o' ring 110x130x13
12	2.1475.002.2	9	conical washer 8
13	2.0112.207.2	7	screw m 8 p 1.25 x 20
14	2.3130.001.1	6	plug 1/8" gas
15	2.1589.137.0	2	snoulder 71x110x1
16	2.0432.003.7	2	stud bolt m 8 p.1.25 / p.1 x 20
17	2.1011.105.2	2	nut m 8 p.1.25
20	0.009.3704.3	1	antivibration pulley
21	0.010.4320.3/20	1	crank shaft
21.2	0.007.0855.0/10	1	gear
22	0.011.2206.0/10	1	hub
23	2.0399.144.7/10	1	screw m 20 p.1.5x51

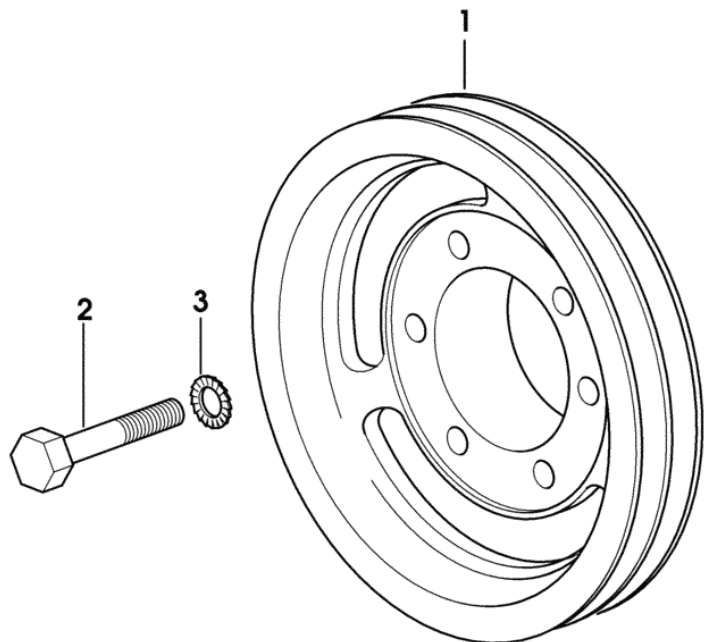


9\_37912\_00\_0\_0

Section: ENGINE

**CRANKSHAFT PULLEY**

Fig.	Code	QTY	Name
1	0.007.0962.0/30	1	pulley
2	2.0112.322.2	6	screw m 10 p.1.5x65
3	2.1470.006.2	6	lock washer 10



9\_33712\_01\_0\_0

Section: ENGINE

**CYLINDER - PISTON - CONNECTING ROD**

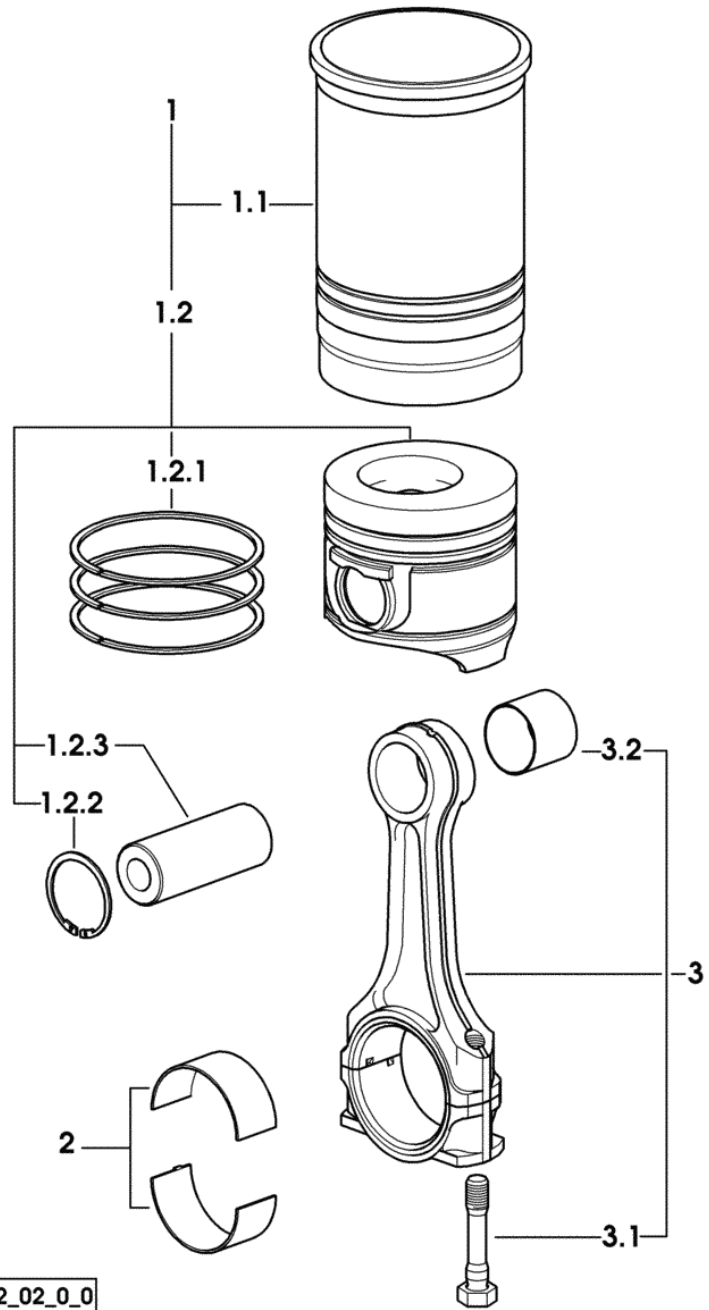


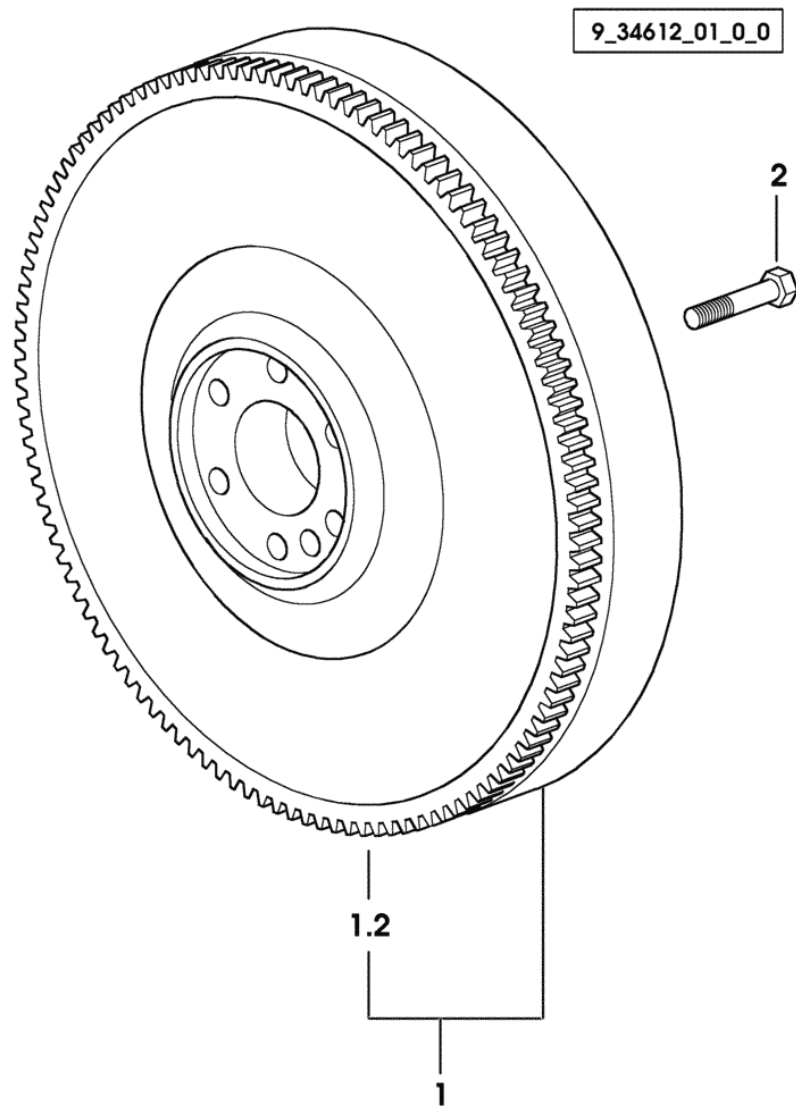
Fig.	Code	QTY	Name
1	0.384.0065.A	6	piston cyl.assembly "A" - CLASS A
1	0.384.0065.B	6	piston cyl.assembly "B" - CLASS B
1.1	0.A12.2675.0	1	engine cylinder "A" - CLASS A
1.1	0.B12.2675.0	1	engine cylinder "B" - CLASS B
1.2	0.383.0060.A	1	complete piston "A" - CLASS A
1.2	0.383.0060.B	1	complete piston "B" - CLASS B
1.2.1	0.338.0052.6/20	1	piston ring set
1.2.2	2.1411.014.1	2	circlip 35
1.2.3	0.078.1236.0	1	piston pin
2	0.065.1225.0	12	con.rod half bushing STANDARD
2	0.065.1225.7	12	con.rod half bushing - mm 0.25
2	0.065.1225.8	12	con.rod half bushing - mm 0.50
3	0.078.1220.3/30	6	engine connect.rod
3.1	2.0399.213.0	2	screw m 12 p.1.25x61.5
3.2	2.1559.114.0/10	1	bushing 35x39x35

9\_38312\_02\_0\_0

Section: ENGINE

**ENGINE FLYWHEEL**

Fig.	Code	QTY	Name
1	0.007.0655.3/20	1	flywheel
1.2	0.065.1242.0	1	crown wheel Z = 123
2	2.0119.174.0/10	6	screw m 12 p.1.25x45



Section: ENGINE  
CAMSHAFT

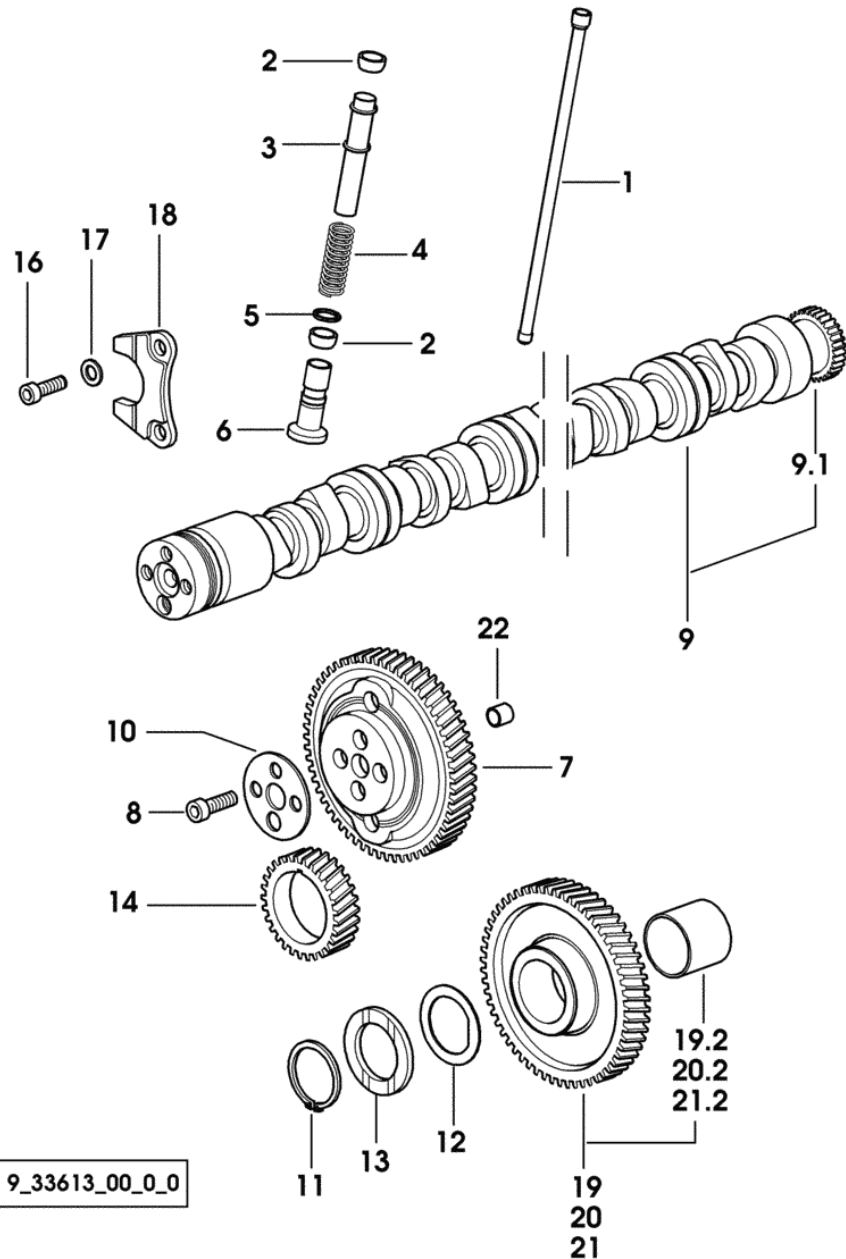


Fig.	Code	QTY	Name
1	0.065.1331.2	12	rod
2	2.1569.114.0/10	24	gasket 14x18.5x8
3	0.065.1332.0	12	sleeve
4	2.4019.300.1/10	12	spring 18.5x52x2
5	2.1599.437.0	12	snoulder 14.5x18x1.5
6	0.065.1330.0	12	tappets
7	0.065.1354.0/20	1	gear z=58
8	2.0132.207.2	4	screw m 10 p.1 x 25
9	0.075.1310.3/30	1	camshaft
9.1	0.065.1324.0/10	1	gear Z = 32
10	0.065.1350.0	1	small disc
11	2.1410.016.1	1	circlip 40
12	0.065.1352.0	1	shim
13	0.065.1351.0	2	snoulder
14	0.007.1188.0/30	1	gear Z = 29
16	2.0312.205.2	2	screw m 8 p.1.25 x 18
17	2.1480.014.1	2	washer 8
18	0.065.1353.0	1	small plate
19	0.007.1177.3/20	0	gear z = 57 - WITH RED IDENTIFICATION STAMP
19.2	2.1559.185.0/10	1	bushing
20	0.007.1178.3/20	0	gear z = 57 - WITH YELLOW IDENTIFICATION STAMP
20.2	2.1559.185.0/10	1	bushing
21	0.007.1179.3/20	1	gear z = 57 - WITH GREEN IDENTIFICATION STAMP
21.2	2.1559.185.0/10	1	bushing
22	2.1559.398.0	1	bushing 10.5x13x12





Section: ENGINE  
CYLINDER HEAD

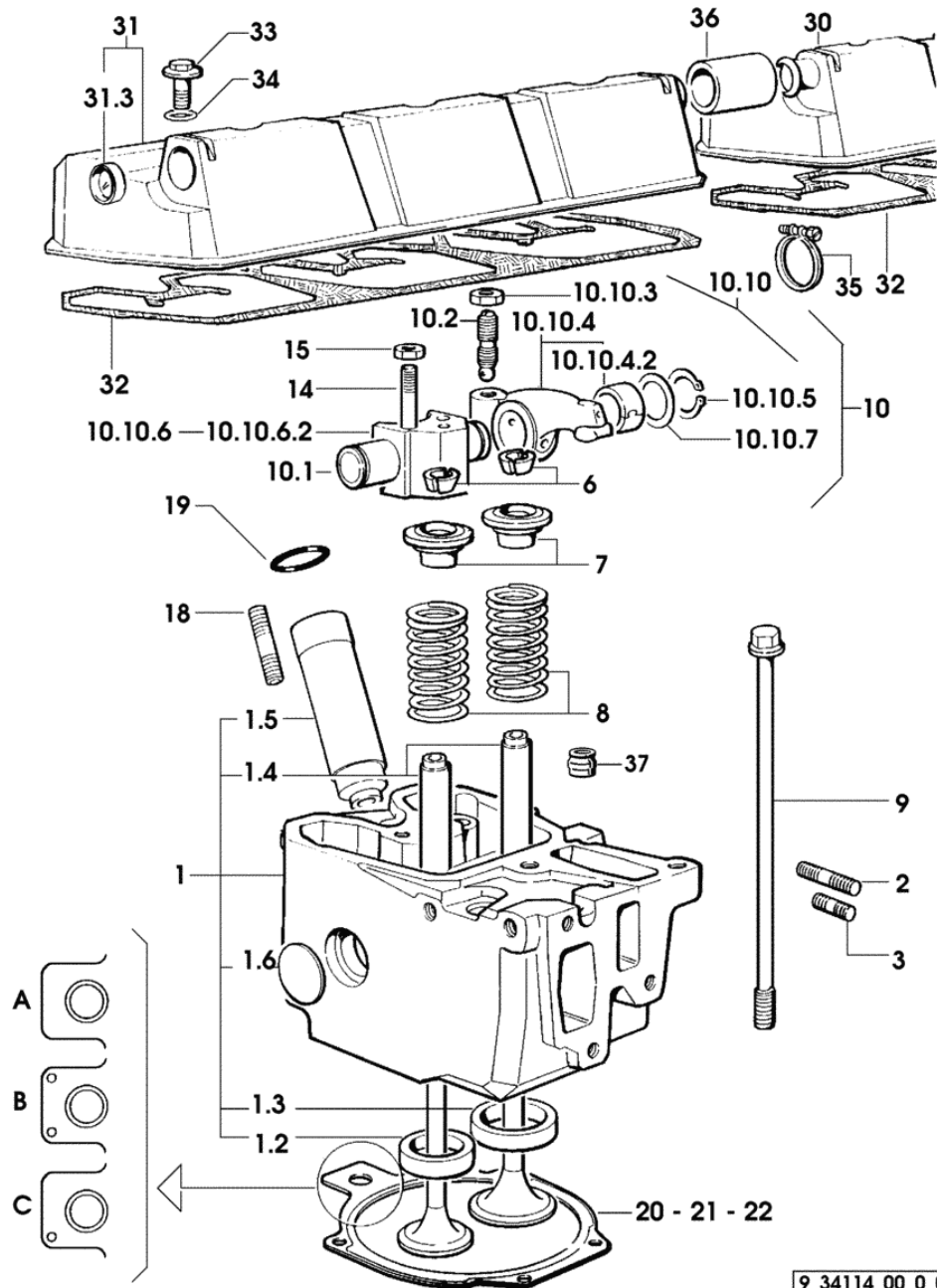
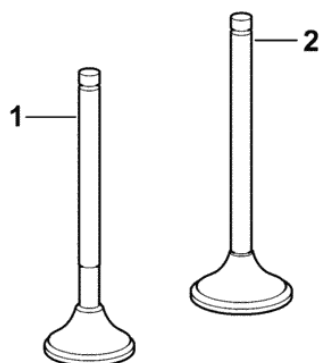


Fig.	Code	QTY	Name
33	2.0399.130.2/10	6	screw m 8x36x44 3541 <- X SILVER 160 1545 <- X SILVER 180
33	2.0399.288.2/10	6	screw m 8x36x46 -> 3542 X SILVER 160 -> 1546 X SILVER 180
34	2.1532.035.0	6	'o' ring 14x1.78 3541 <- X SILVER 160 1545 <- X SILVER 180
34	2.1539.151.0	6	'o' ring 9.19 x 2.62 -> 3542 X SILVER 160 -> 1546 X SILVER 180
35	2.6859.091.0	2	clamp
36	0.075.1452.0/10	1	sleeve
37	2.1519.117.0	12	'o' ring

**INLET AND EXHAUST VALVES**

Fig.	Code	QTY	Name
1	0.007.1147.0/10	6	exhaust valve mm 39.1 / Ø mm 9
2	0.007.1146.0/10	6	inlet valve mm 43.63 / Ø mm 9



**OIL PAN**

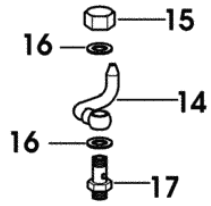
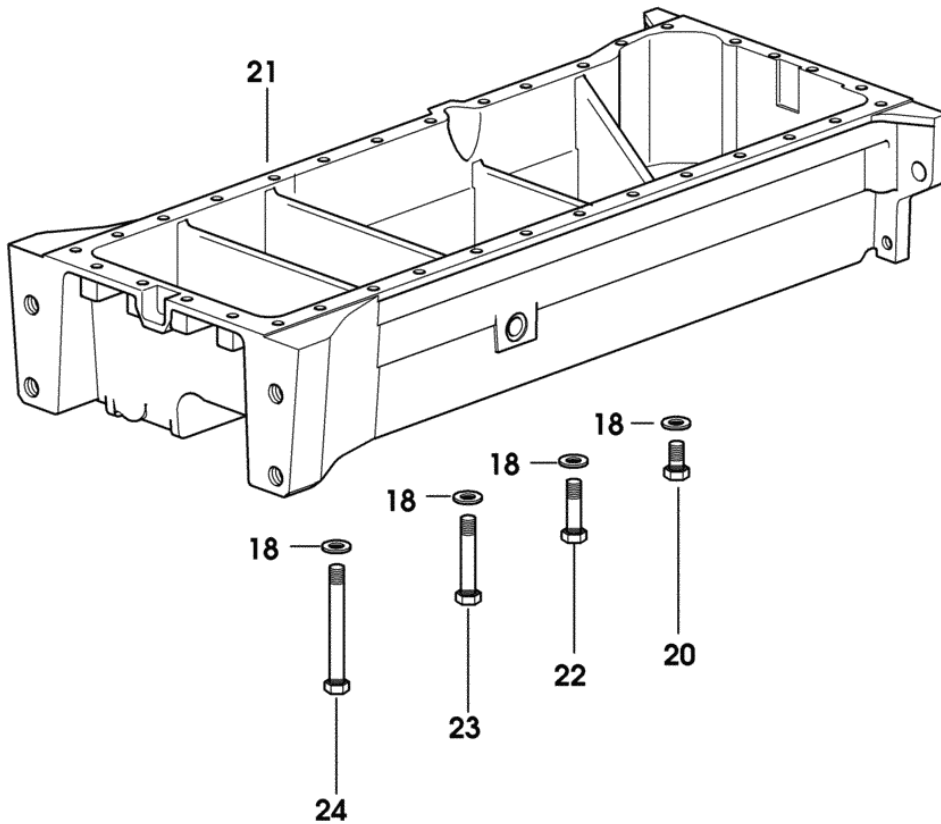


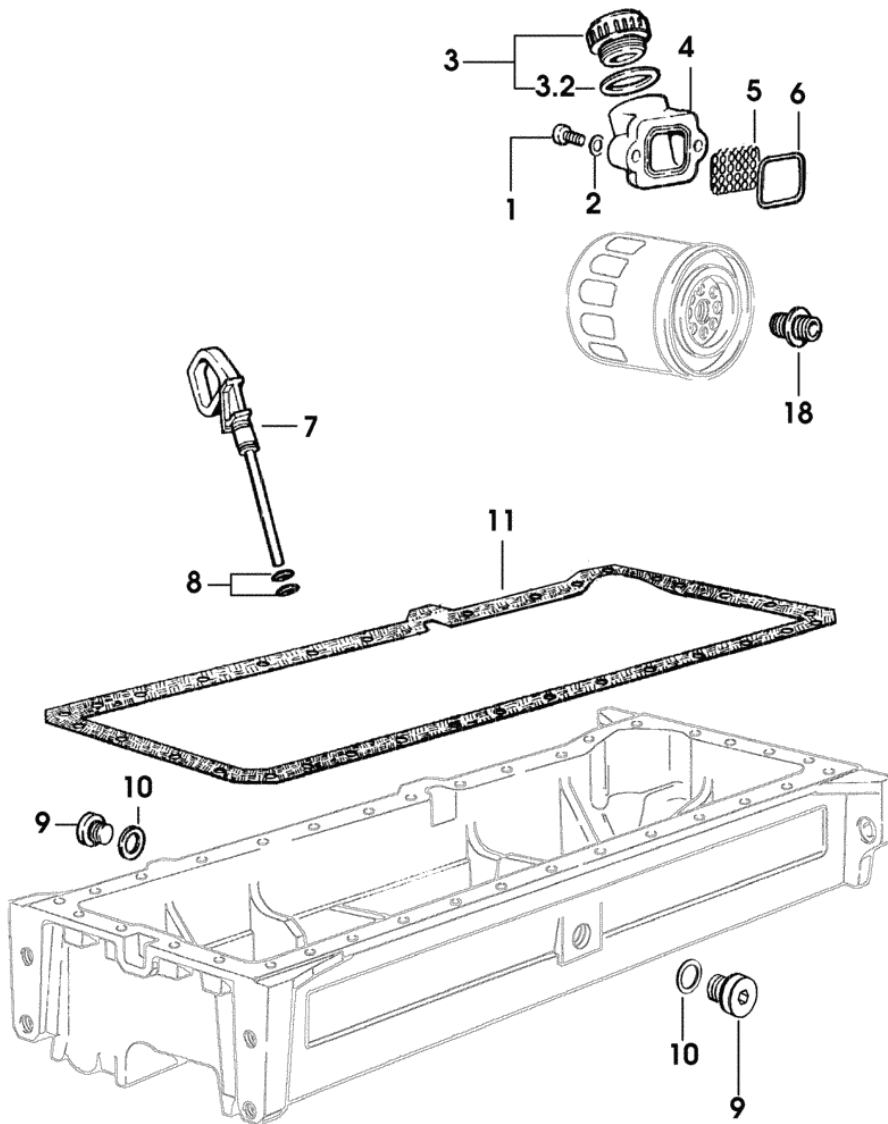
Fig.	Code	QTY	Name
14	0.007.0638.2	6	windscreen washer
15	2.1099.108.2	6	special nut m 10 p.1
16	2.1560.006.0	12	gasket 10.2 x 16
17	2.3249.022.2	6	pipe fitting m 10 p.1
18	2.1470.004.2	34	washer 8
20	2.0112.215.2	25	screw m 8 p.1.25 x 40
21	0.007.1311.0/10	1	oil pan
22	2.0112.229.2	3	screw m 8 p.1.25 x 100
23	2.0112.235.2	2	screw m 8 p.1.25 x 130
24	2.0112.241.2	4	screw m 8 p.1.25 x 160



9\_34015\_01\_0\_0

Section: ENGINE  
LUBRICATION

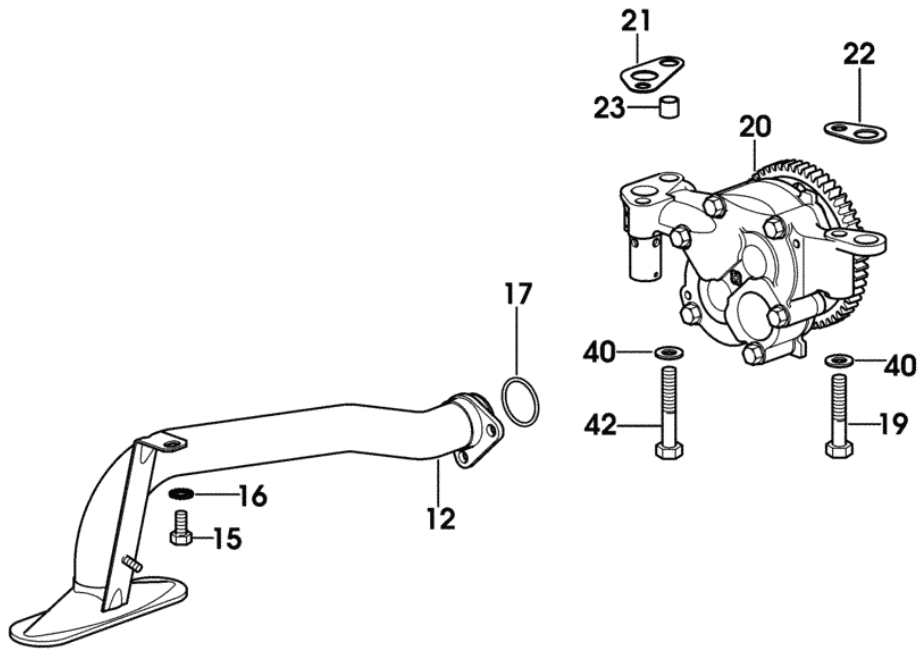
Fig.	Code	QTY	Name
1	2.0312.205.2	2	screw m 8 p.1.25 x 18
2	2.1480.014.1	2	washer 8
3	0.041.1135.4	1	plug 1" gas
3.2	2.1569.072.0	1	gasket 32 x 39.5 x 2
4	0.065.1565.0/10	1	pipe union
5	0.065.1567.0/10	1	filter
6	2.1539.042.0	1	'o' ring 47.35x1.78
7	0.080.1513.2/10	1	dipstick
8	2.1539.065.0	2	'o' ring 8.73 x 1.78
9	2.3199.001.2	2	plug 1/2" gas
10	2.1560.054.0	2	gasket 21 x 26
11	0.007.0849.0/10	1	gasket
18	2.3339.307.0	2	pipe fitting m 22 p.1.5-3/4"



9\_33615\_10\_0\_A

**OIL PUMP**

Fig.	Code	QTY	Name
12	0.011.0087.4	1	tube
15	2.0112.205.2	1	screw m 8 p.1.25 x 16
16	2.1470.004.2	1	washer 8
17	2.1539.153.0	1	'o' ring 32.99x2.6
19	2.0112.320.2	2	screw m 10 p.1.5 x 55
20	0.010.0194.4/30	1	oil pump
			COMPONENT PARTS SEE
			COMPONENTS LIST
			☞ 0.010.0194.4/30
			☞ 01.00.1
21	0.007.0972.0	5	shim
22	0.007.0973.0	5	shim
23	0.007.0867.0	1	sleeve
40	2.1310.006.2	3	flat washer 10.5
42	2.0112.322.2	1	screw m 10 p.1.5x65



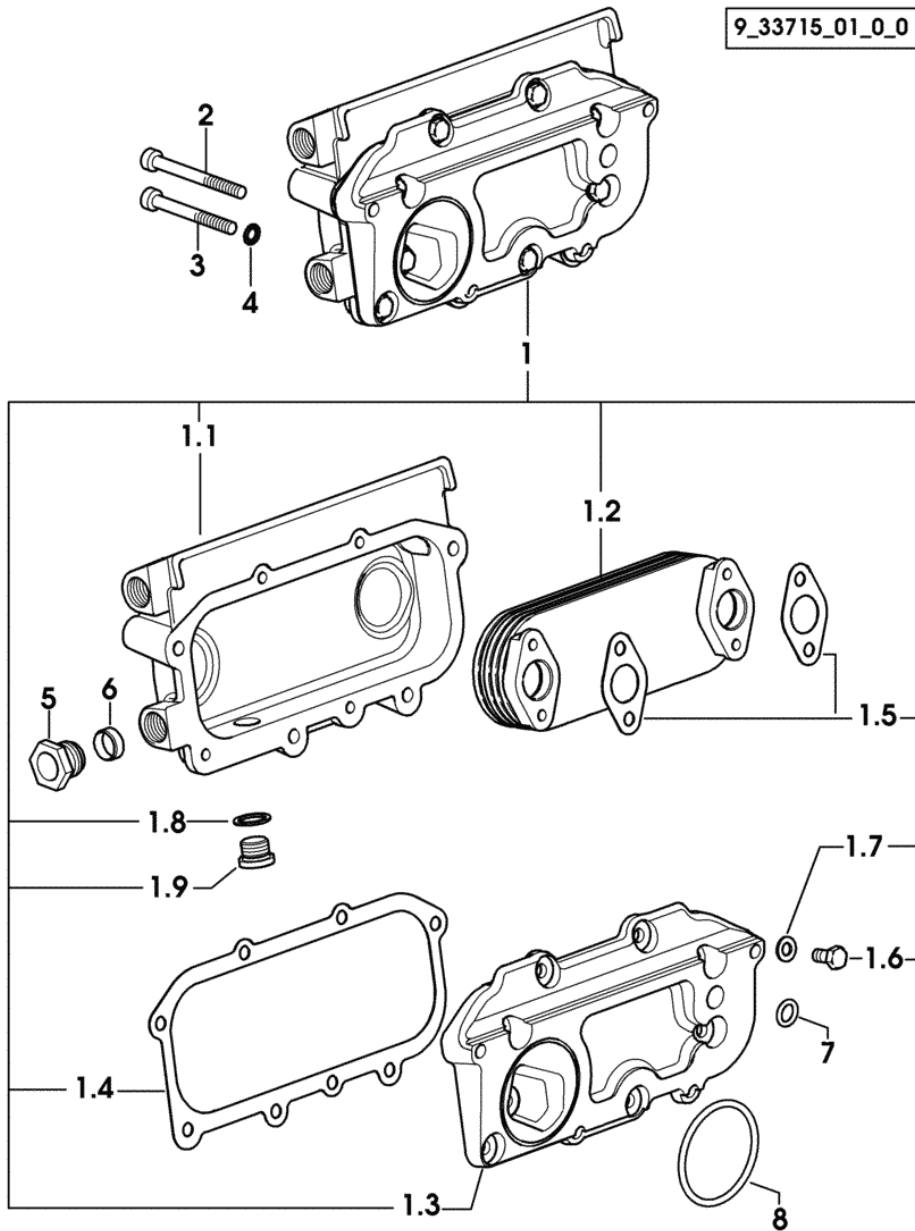
9\_33615\_10\_0\_B

Section: ENGINE

**RADIATOR**

9\_33715\_01\_0\_0

Fig.	Code	QTY	Name
1	0.000.0000.1	0	not serviceable
1.1	0.007.0703.0/10	1	box 3534 <- X SILVER 160 1539 <- X SILVER 180
1.1	0.007.0703.0/20	1	box -> 3535 X SILVER 160 -> 1540 X SILVER 180
1.2	0.007.1239.3	1	radiator
1.3	0.078.1555.0/10	1	plate
1.4	0.078.1556.0/10	1	gasket
1.5	0.078.1557.0/10	2	gasket
1.6	2.0112.205.2	8	screw m 8 p.1.25 x 16
1.7	2.1310.004.2	8	flat washer 8.5
1.8	2.1560.014.0	1	gasket 18.2 x 24 x 1.5
1.9	2.3120.101.0	1	plug m 18 p.1.5
2	2.0312.222.2	2	screw m 8 p.1.25 x 80
3	2.0312.220.2	2	screw m 8 p.1.25x70
4	2.1480.014.1	4	washer 8
5	2.3249.056.2	2	pipe fitting m 28 p.2
6	2.3350.008.1	2	nosepiece 18 3534 <- X SILVER 160 1539 <- X SILVER 180
6	2.3350.009.1	2	nosepiece 22 -> 3535 X SILVER 160 -> 1540 X SILVER 180
7	2.1539.048.0	1	'o' ring 20.35x1.78
8	2.1539.050.0	1	'o' ring 69.57x1.78



Section: ENGINE  
LUBRICATION

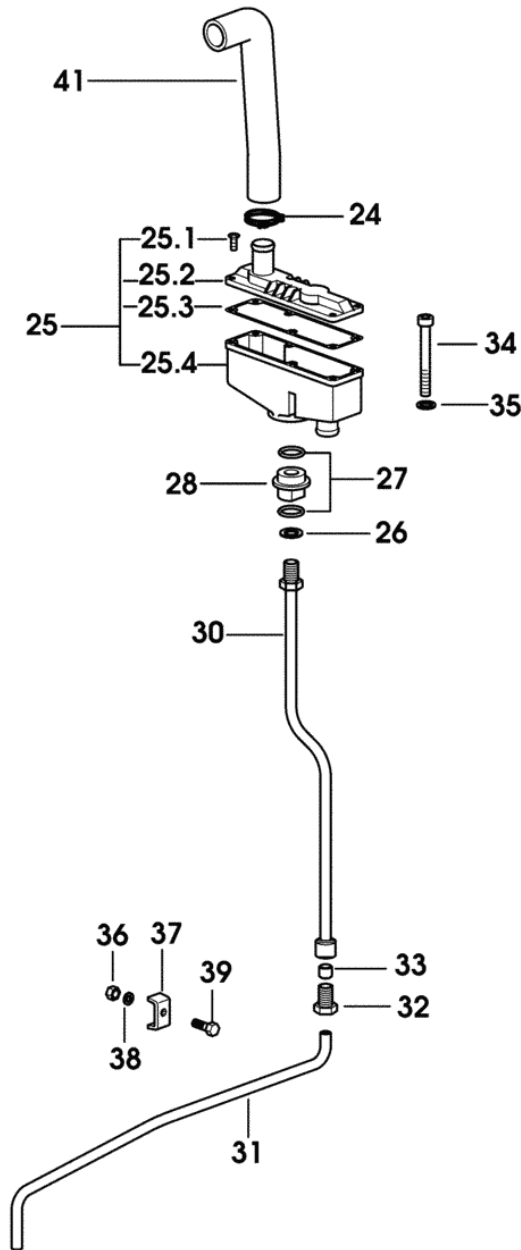


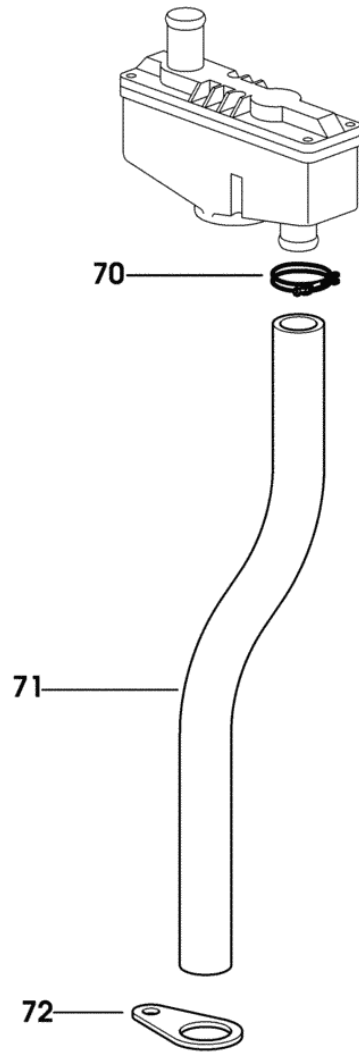
Fig.	Code	QTY	Name
24	2.6859.086.0	2	clamp
25	0.075.1557.4	1	sediment bowl
25.1	2.0351.203.6	4	screw 3.5x9.5
25.2	0.000.0000.1	0	not serviceable
25.3	0.075.1559.0	1	gasket
25.4	0.000.0000.1	0	not serviceable
26	2.1560.008.0	1	gasket 12.2 x 18
27	2.1539.072.0	2	'o' ring 23.52 x 1.78
28	0.075.1553.0	1	sleeve
30	0.007.0861.0	1	tube
31	0.007.0970.0	1	tube
32	2.3339.418.1	1	pipe fitting m 12 p.1
33	2.3350.003.1	1	nosepiece 8
34	2.0312.221.2	2	screw m 8 p.1.25x75
35	2.1480.014.1	2	washer 8
36	2.1011.103.2	1	nut m 6 p.1
37	0.002.8816.0	1	small plate
38	2.1310.002.2	1	washer 6.6, d125
39	2.0112.007.2	1	screw m 6 p.1 x 20
41	0.075.1453.0/10	1	tube

9\_33615\_10\_0\_C



Section: ENGINE  
**LUBRICATION**

Fig.	Code	QTY	Name
70	2.6859.086.0	1	clamp
71	0.075.1554.0	1	tube
72	0.075.1151.0	1	bracket



9\_34619\_00\_0\_A

Section: ENGINE  
**LUBRICATION EXPORT U.S.A.**

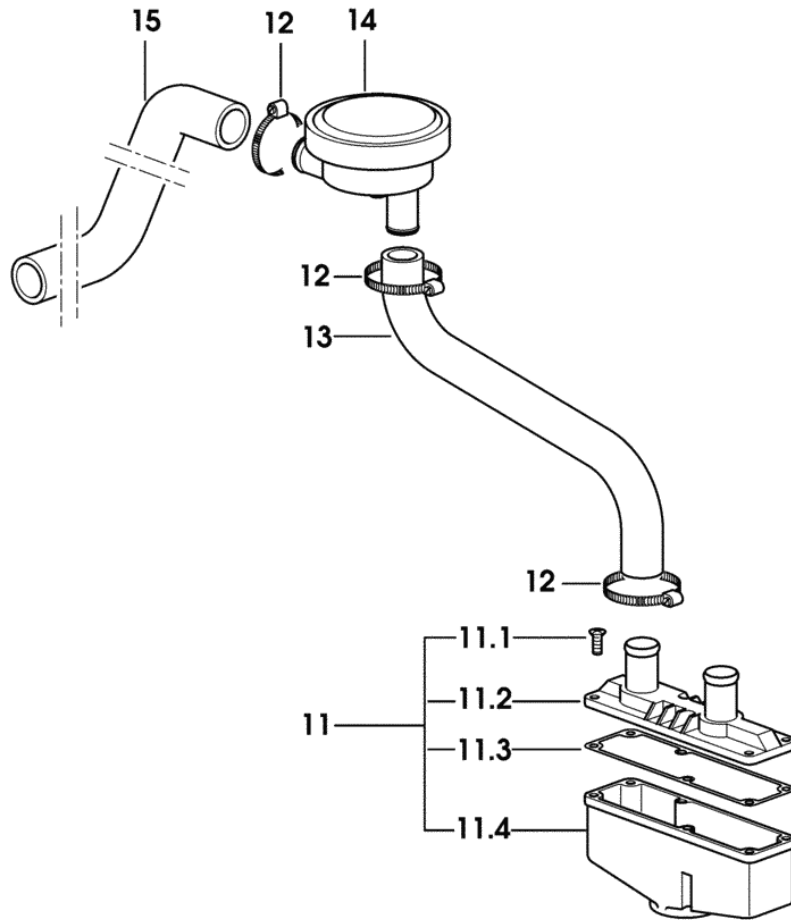
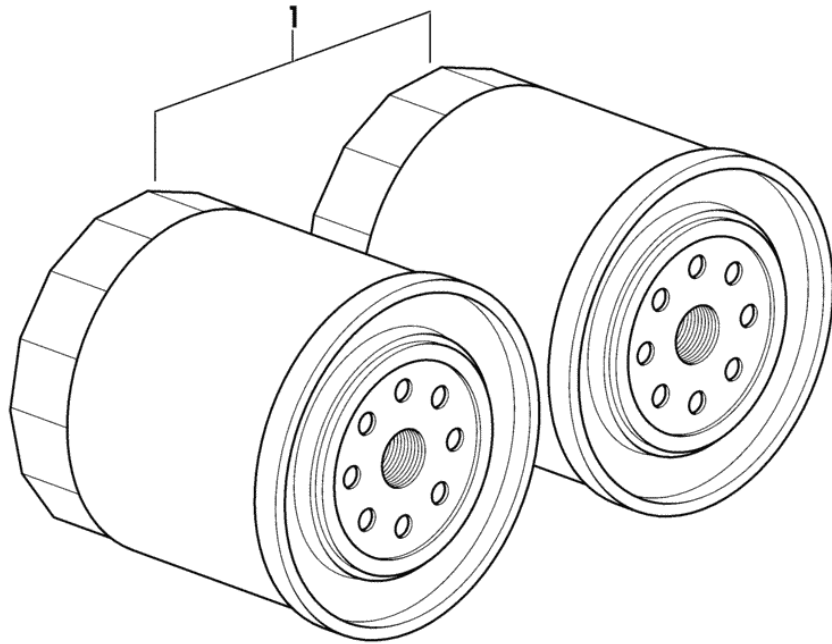


Fig.	Code	QTY	Name
11	0.010.6512.4	1	sediment bowl
11.1	2.0351.203.6	4	screw 3.5x9.5
11.2	0.010.6513.3	1	cover
11.3	0.075.1559.0	1	gasket
11.4	0.010.6512.0	1	sediment bowl
12	2.6850.004.0	4	clamp 20-35
13	0.011.1209.0	1	tube
14	0.010.6507.0	1	valve
15	0.011.1208.0	1	tube

9\_34115\_20\_0\_0

**OIL FILTERS**

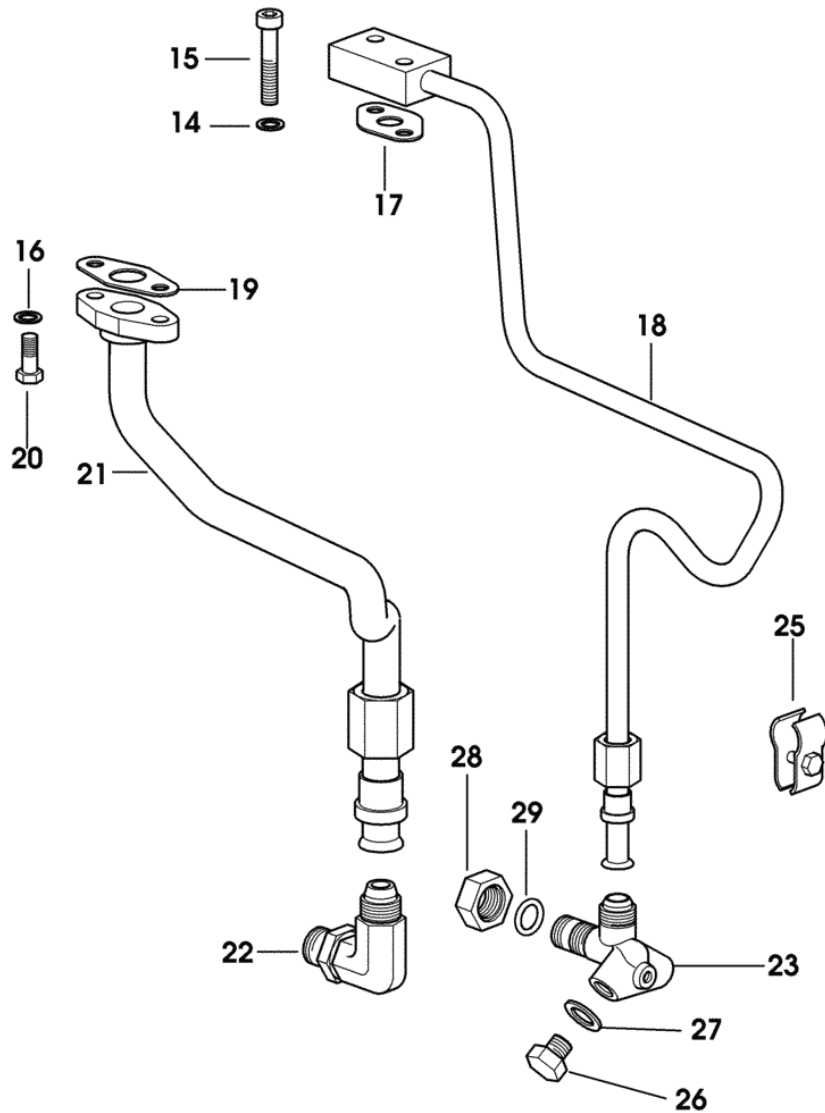
Fig.	Code	QTY	Name
1	2.4419.340.0	2	oil filter element



9\_33815\_02\_0\_0

**OIL PIPES FOR TURBOCHARGER**

Fig.	Code	QTY	Name
14	2.1480.014.1	2	washer 8
15	2.0312.212.2	2	screw m 8 p.1.25 x 35
16	2.1470.004.2	2	washer 8
17	0.052.1557.0	1	gasket
18	0.010.0957.3	1	tube
19	0.052.1558.0/10	1	gasket
20	2.0112.207.2	2	screw m 8 p 1.25 x 20
21	0.010.0958.3	1	tube
22	2.3264.021.2	1	pipe fitting m 22 p.1.5 - 1" 1/16
23	2.3339.673.0/10	1	pipe fitting
25	0.007.1317.4	1	bracket
26	2.3110.403.1	1	plug m 14 p.1.5
27	2.1560.010.0	1	gasket 14.2 x 20 x 1.5
28	2.1019.129.2/10	1	nut m 18 p.1.5x12
29	2.1533.038.0	1	'o' ring 15.45x2.62



9\_33815\_03\_0\_0

**FUEL SUPPLY SYSTEM**

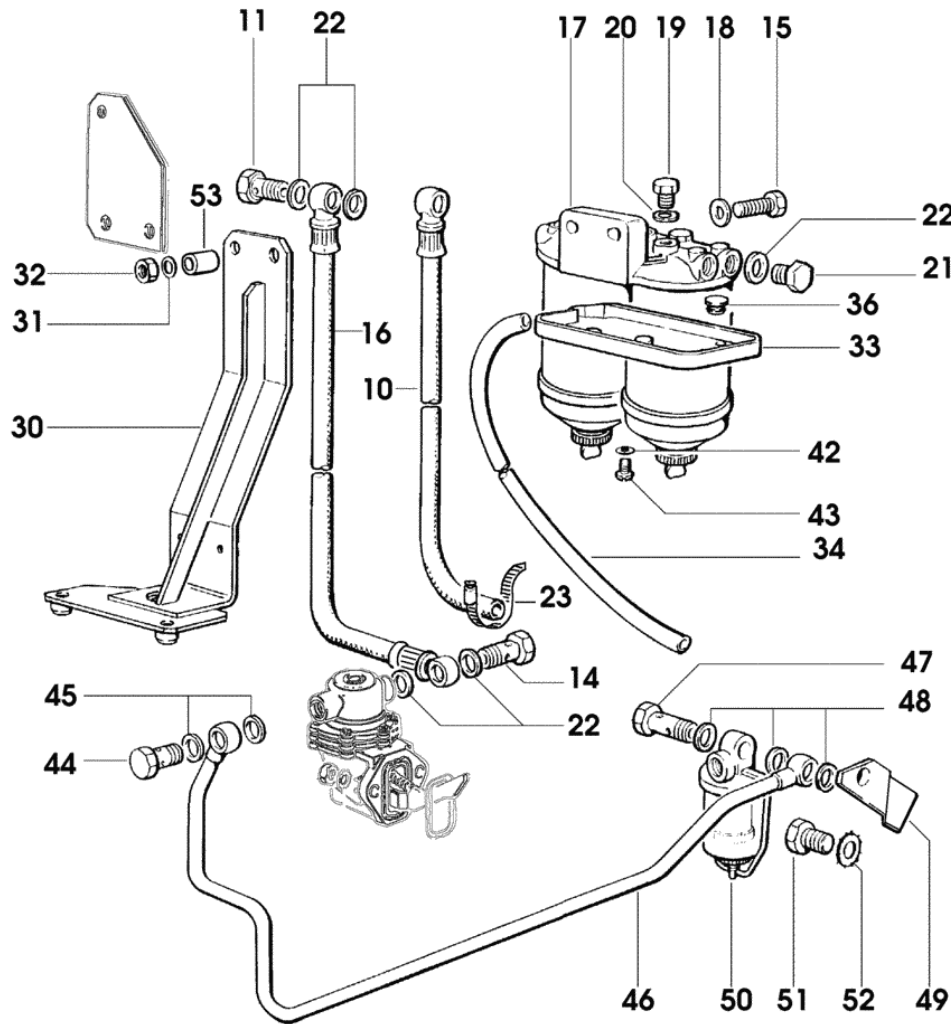


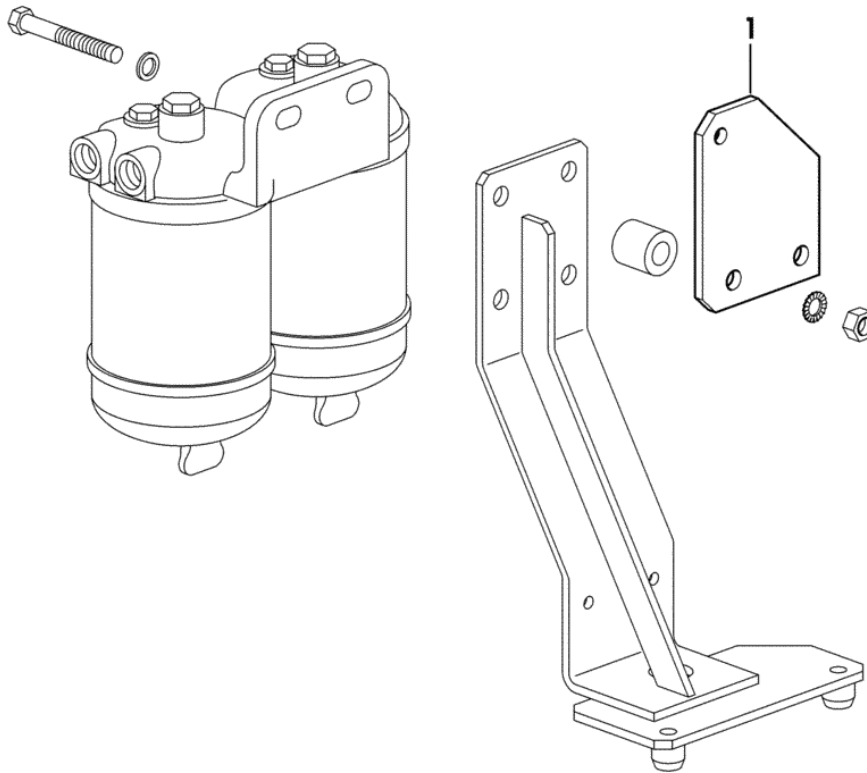
Fig.	Code	QTY	Name
10	0.007.0292.2/10	1	tube
11	2.3332.004.1	2	pipe union m 14 p.1.5 x 27
14	2.3339.357.2/10	1	pipe union m 14 p.1.5x28
15	2.0112.323.2	2	screw m 10 p.1.5x70
16	0.007.0290.2/10	1	tube
17	2.4319.180.0	1	fuel filter
			COMPONENT PARTS SEE COMPONENTS LIST
			☞ 2.4319.180.0
			☞ 01.00.2
18	2.1310.006.2	2	flat washer 10.5
19	2.3119.005.2	3	plug m 10 p.1.5
20	2.1560.005.0	3	gasket 10.2 x 14
21	2.3110.403.1	1	plug m 14 p.1.5
22	2.1561.007.0	8	gasket 14,8x22.2
23	2.6850.002.0	1	clamp 12-22
30	0.007.1392.2/20	1	bracket
31	2.1470.006.2	2	lock washer 10
32	2.1011.106.2	2	nut m 10 p.1.5
33	0.007.1219.0	1	cup
34	0.075.1657.0/10	1	tube
36	2.3199.163.0	1	plug 10x6
42	2.1310.002.2	2	washer 6.6, d125
43	2.0350.753.6	2	screw
44	2.3339.357.2/10	1	pipe union m 14 p.1.5x28
45	2.1561.007.0	2	gasket 14,8x22.2
46	0.008.3511.3/30	1	tube
47	2.3339.040.2	1	pipe union m 14 p.1.5x45
48	2.1561.007.0	3	gasket 14,8x22.2
49	0.007.1213.2/20	1	support
50	2.4319.220.0	1	precleaner
			COMPONENT PARTS SEE COMPONENTS LIST
			☞ 2.4319.220.0
			☞ 01.00.3
51	2.0122.507.2	1	screw m 12 p.1.25 x 20
52	2.1470.008.2	1	lock washer 14
53	2.1579.982.2	2	spacer

9\_34619\_00\_0\_C

Section: ENGINE

**FUEL SUPPLY SYSTEM**

Fig.	Code	QTY	Name
1	0.009.1644.0	1	small plate



9\_34119\_02\_0\_0

**INJECTION PUMP - INJECTOR**

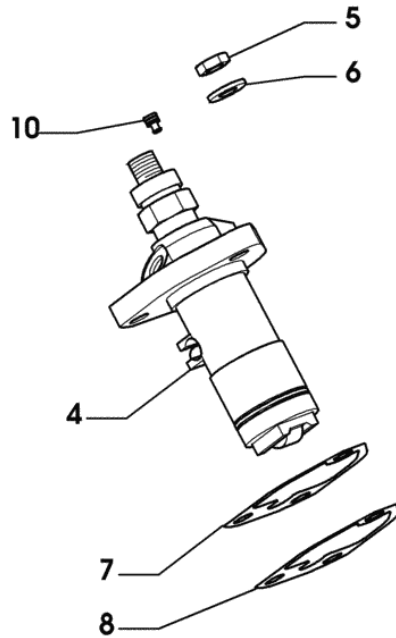
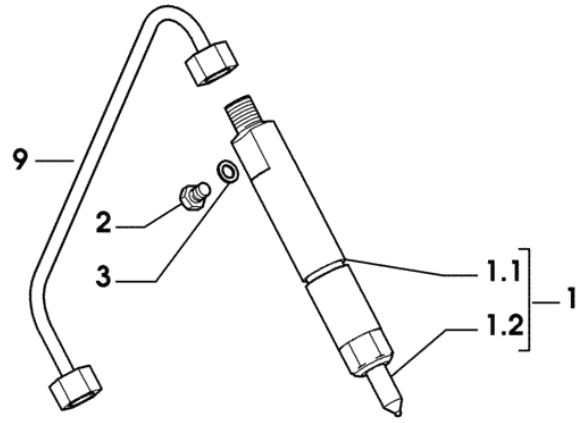
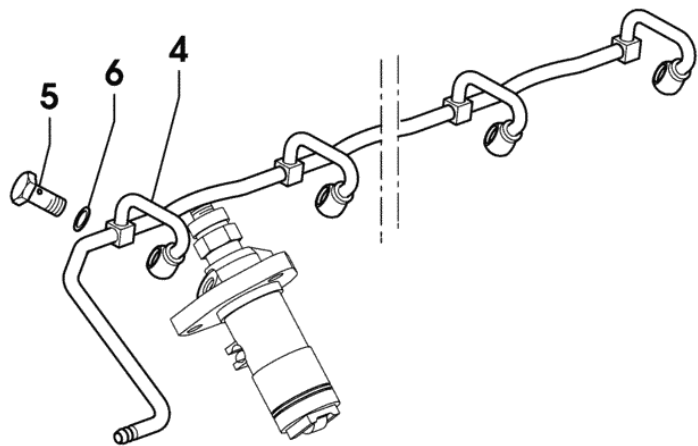
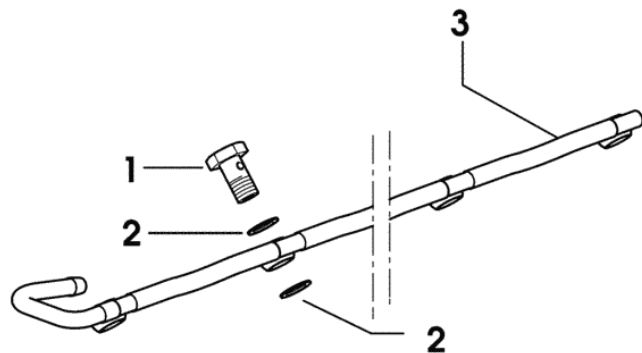


Fig.	Code	QTY	Name
1	2.4719.330.0	6	injector
1.1	2.4719.190.0	1	nozzle holder BOSCH COMPONENT PARTS SEE COMPONENTS LIST ☞ 2.4719.190.0 ☞ 01.00.4
1.2	2.4729.180.0/10	1	nozzle
2	2.3119.024.2	6	plug m 6
3	2.1560.001.0	6	gasket 6.2x10
4	0.000.0000.1	0	not serviceable - FOR CODES AND DETAILS SEE REF. COMPONENT PARTS SEE COMPONENTS LIST ☞ 01.00.5
5	2.1011.405.2	18	nut m 8 p.1
6	2.1599.458.0/10	18	snoulder 8.4x18x2
7	0.065.1655.0/10	12	shim mm 0.1
8	0.065.1656.0/10	12	shim mm 0.20
9	0.078.1650.3	6	tube
10	2.3199.270.0	6	plug 5.9x7.8

9\_38316\_01\_0\_0

Section: ENGINE  
**INJECTION LINES**

Fig.	Code	QTY	Name
1	2.3339.118.1	6	pipe union m 12 p.1.5
2	2.1560.008.0	12	gasket 12.2 x 18
3	0.007.1887.3	1	tube
4	0.007.1789.3/10	1	tube
5	2.3339.001.2	6	pipe union
6	2.1560.005.0	12	gasket 10.2 x 14

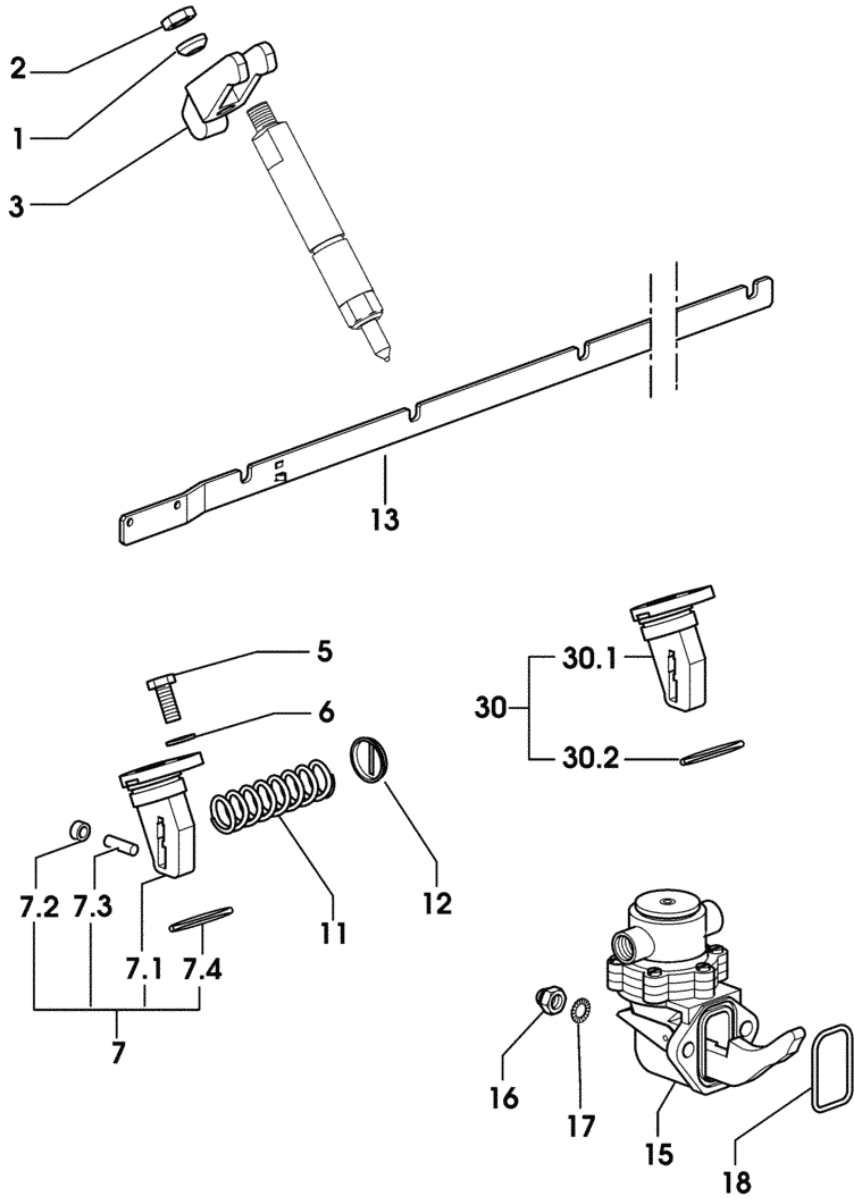


9\_33716\_01\_0\_0



**FUEL SUPPLY SYSTEM**

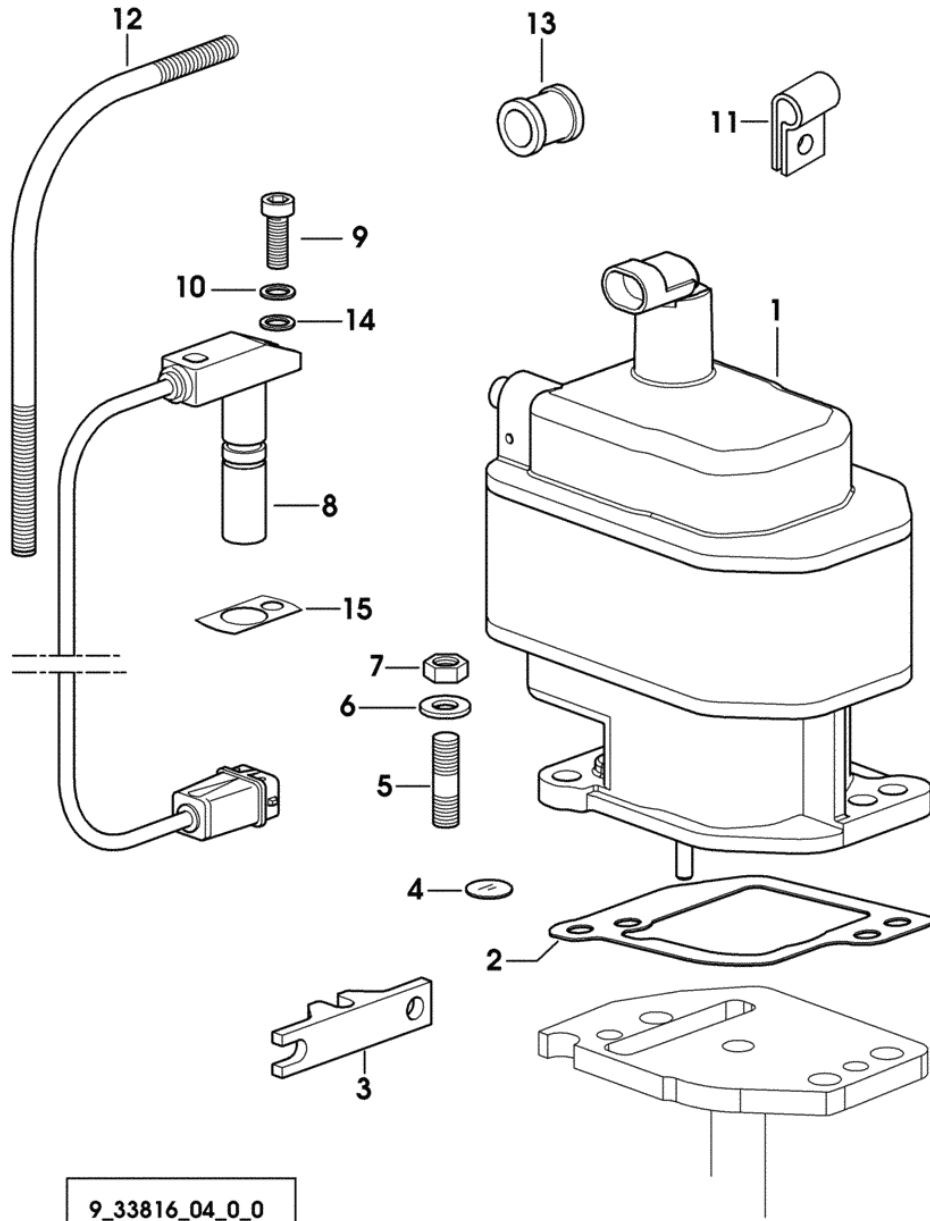
Fig.	Code	QTY	Name
1	2.1599.454.0	6	snoulder 10.5x17x7.5
2	2.1011.421.2	6	nut m 10 p.1.25
3	0.011.5275.0/20	6	bracket
5	2.0112.207.2	3	screw m 8 p 1.25 x 20
6	2.1470.004.2	3	washer 8
7	0.000.0000.1	0	not serviceable
7.1	0.065.1693.0/30	1	support
7.2	0.065.1660.0	1	roller
7.3	2.1651.507.0	1	pin 6 x 16
7.4	2.1530.072.0	1	'o' ring 26.70x1.78
11	2.4019.314.1/20	1	spring 21.5x76x1
12	0.065.1659.0	1	stop
13	0.075.1613.3/10	1	rod
15	2.4519.310.0	1	feed pump
			COMPONENT PARTS SEE COMPONENTS LIST
			☞ 2.4519.310.0
			☞ 01.00.6
16	2.1011.405.2	2	nut m 8 p.1
17	2.1470.004.2	2	washer 8
18	2.1539.045.0	1	'o' ring 37.77x2.62
30	0.000.0000.1	0	not serviceable
30.1	0.065.1693.0/30	1	support
30.2	2.1530.072.0	1	'o' ring 26.70x1.78



9\_33616\_00\_0\_0

**ELECTRONIC MOTOR CONTROLLER**

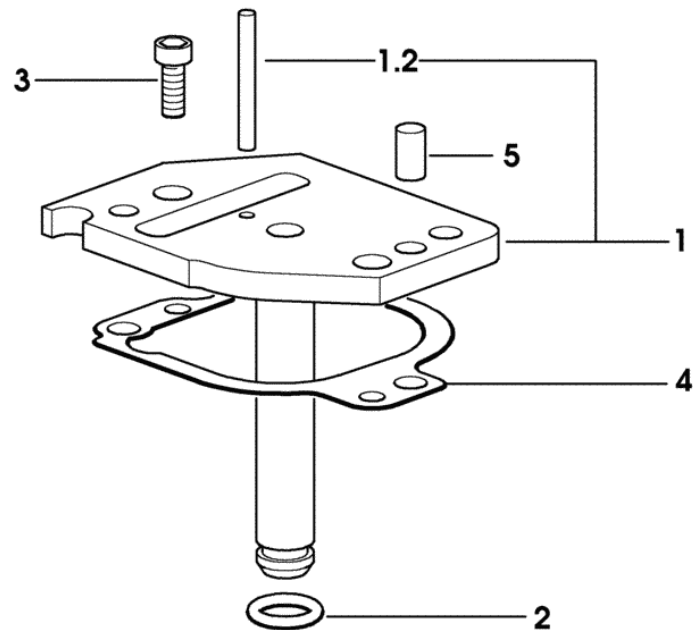
Fig.	Code	QTY	Name
1	0.007.0992.4/60	1	actuator 12V
2	0.009.3880.0/20	1	gasket
3	0.007.0870.0	1	small plate
4	2.3170.003.1	1	expansion plug 10
5	2.0432.007.2	2	stud bolt m 8 p.1.25 / p.1 x 30
6	2.1475.002.7	2	washer 8.4
7	2.1011.405.2	2	nut m 8 p.1
8	2.7099.790.0	1	pick-up
9	2.0312.004.2	1	screw m 5 p.0.8 x 10
10	2.1480.011.2	1	washer 5
11	2.6839.044.2	1	clamp
12	0.011.2030.0	1	tube
13	2.6569.001.0	1	rubber ring 12 x 20 x 21
14	2.1310.001.2	1	flat washer 5.3
15	0.011.1207.0	1	shim mm 0.20



9\_33816\_04\_0\_0

**ACTUATOR - FLANGIA**

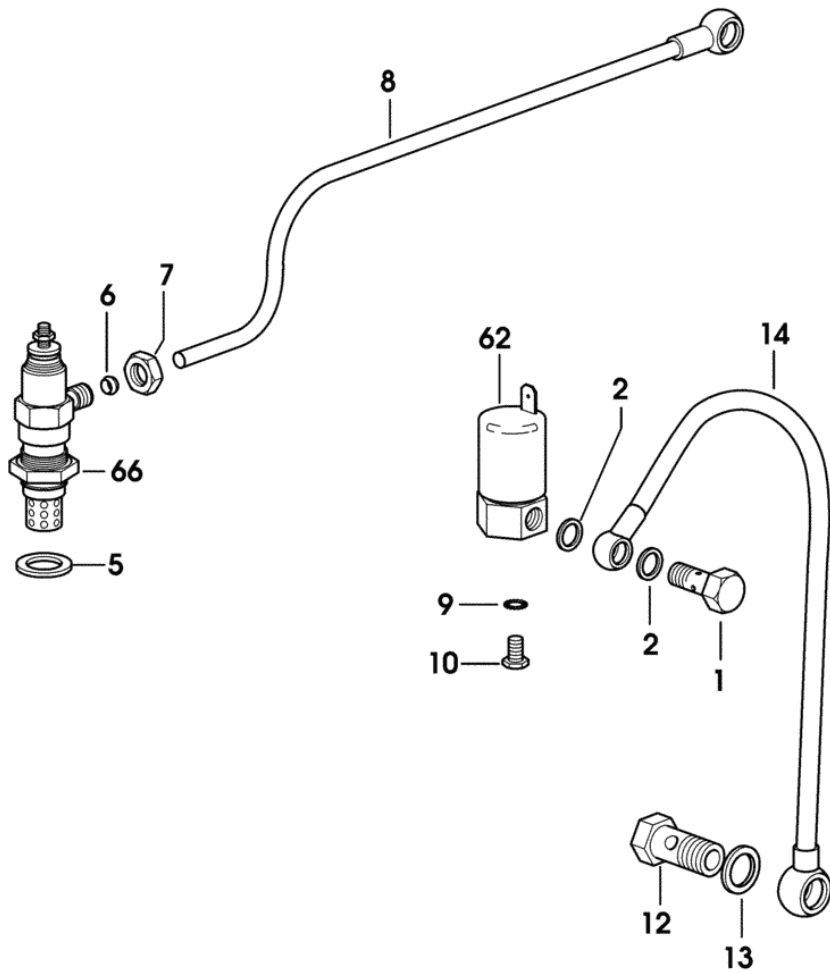
Fig.	Code	QTY	Name
1	0.007.1199.3/20	1	flange
1.2	2.1630.415.0	1	pin 4 x 40
2	2.1539.087.0	1	'o' ring 11.91 x 2.62
3	2.0169.005.2	2	screw m 6 p.1 x 12
4	0.065.1560.0/20	2	gasket
5	2.1651.711.0	1	pin 8 x 14



9\_33816\_02\_0\_0

Section: ENGINE  
**THERMO STARTER**

Fig.	Code	QTY	Name
1	2.3339.074.1	2	pipe union m 10 p.1x19
2	2.1560.005.0	4	gasket 10.2 x 14
5	2.1560.016.0	1	gasket 20.2 x 26
6	2.3350.002.1	1	nosepiece 6, d128
7	2.3360.002.2	1	nut m 10
8	0.007.0933.2	1	tube
9	2.1470.002.2	2	washer 6, d128
10	2.0112.002.2	2	screw m 6 p.1 x 10
12	2.3332.004.1	1	pipe union m 14 p.1.5 x 27
13	2.1560.010.0	2	gasket 14.2 x 20 x 1.5
14	0.007.1402.3	1	tube
62	2.9219.130.0	1	electro valve 12 V
66	2.7659.103.0/10	1	thermo-start



9\_34116\_01\_0\_0

Section: ENGINE  
**WATER COOLING A = mm 18**

9\_34117\_00\_0\_C

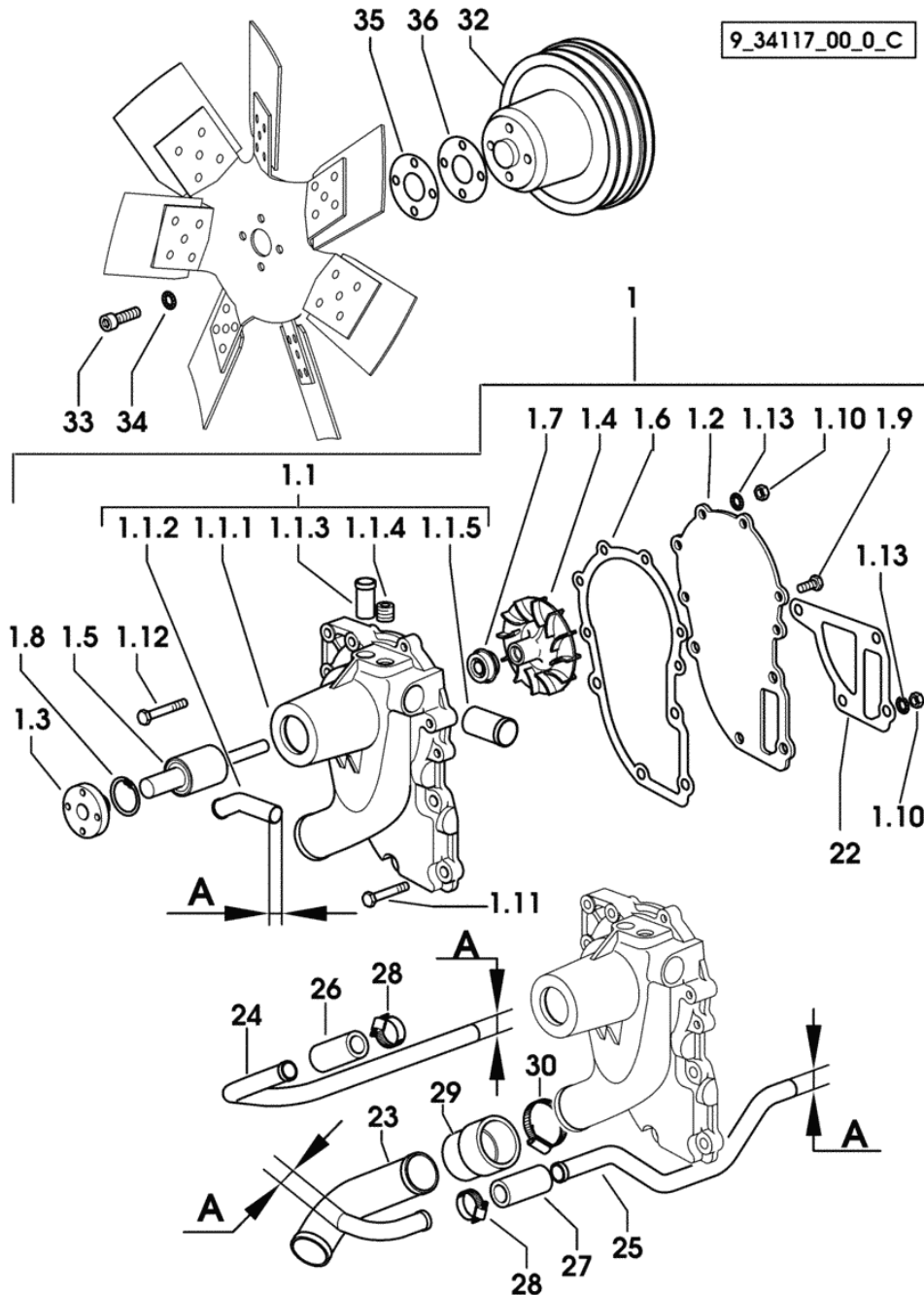


Fig.	Code	QTY	Name
------	------	-----	------

Notes:  
 3534 <- X SILVER 160 1539 <- X SILVER 180

1	0.010.1138.4/30	1	water pump
1.1	0.000.0000.1	0	not serviceable
1.1.1	0.000.0000.1	0	not serviceable
1.1.2	0.082.1751.0	1	tube mm 18
1.1.3	0.066.1750.0	1	tube
1.1.4	2.3130.003.1	1	plug 3/8" gas
1.1.5	0.007.0601.0	1	tube 28x1
1.2	0.007.0599.0/10	1	plate
1.3	0.000.0000.1	0	not serviceable
1.4	0.011.7165.2	1	impeller
1.5	0.000.0000.1	0	not serviceable
1.6	0.007.0600.0/20	1	gasket
1.7	2.1569.200.0	1	'o' ring
1.8	2.1411.016.1	1	circlip 40
1.9	2.0112.207.2	4	screw m 8 p 1.25 x 20
1.10	2.1011.105.2	2	nut m 8 p.1.25
1.11	2.0112.219.2	1	screw m 8 p.1.25x50
1.12	2.0112.220.2	1	screw m 8 p.1.25x55
1.13	2.1470.004.2	6	washer 8
22	0.075.1755.0/20	1	gasket
23	0.007.1385.2/20	1	tube
24	0.007.0674.0/10	1	tube
25	0.007.0668.0	1	tube
26	0.007.0678.0/10	1	sleeve 18x28x60
27	0.007.0678.0/10	1	sleeve 18x28x60
28	2.6851.002.0	4	clamp Ø 20/32
29	0.007.1118.0/10	1	sleeve
30	2.6851.005.0	2	clamp Ø 40/60
32	0.007.0963.0/10	1	pulley
33	2.0313.312.7	4	screw m 10 p 1.5x35
34	2.1480.015.1	4	washer 10
35	2.1589.130.0	4	snoulder 29 x 68 x 0.5
36	2.1589.131.0	5	snoulder 29 x 68 x 1.0

Section: ENGINE

**WATER COOLING A = mm 22**

9\_34117\_00\_0\_A

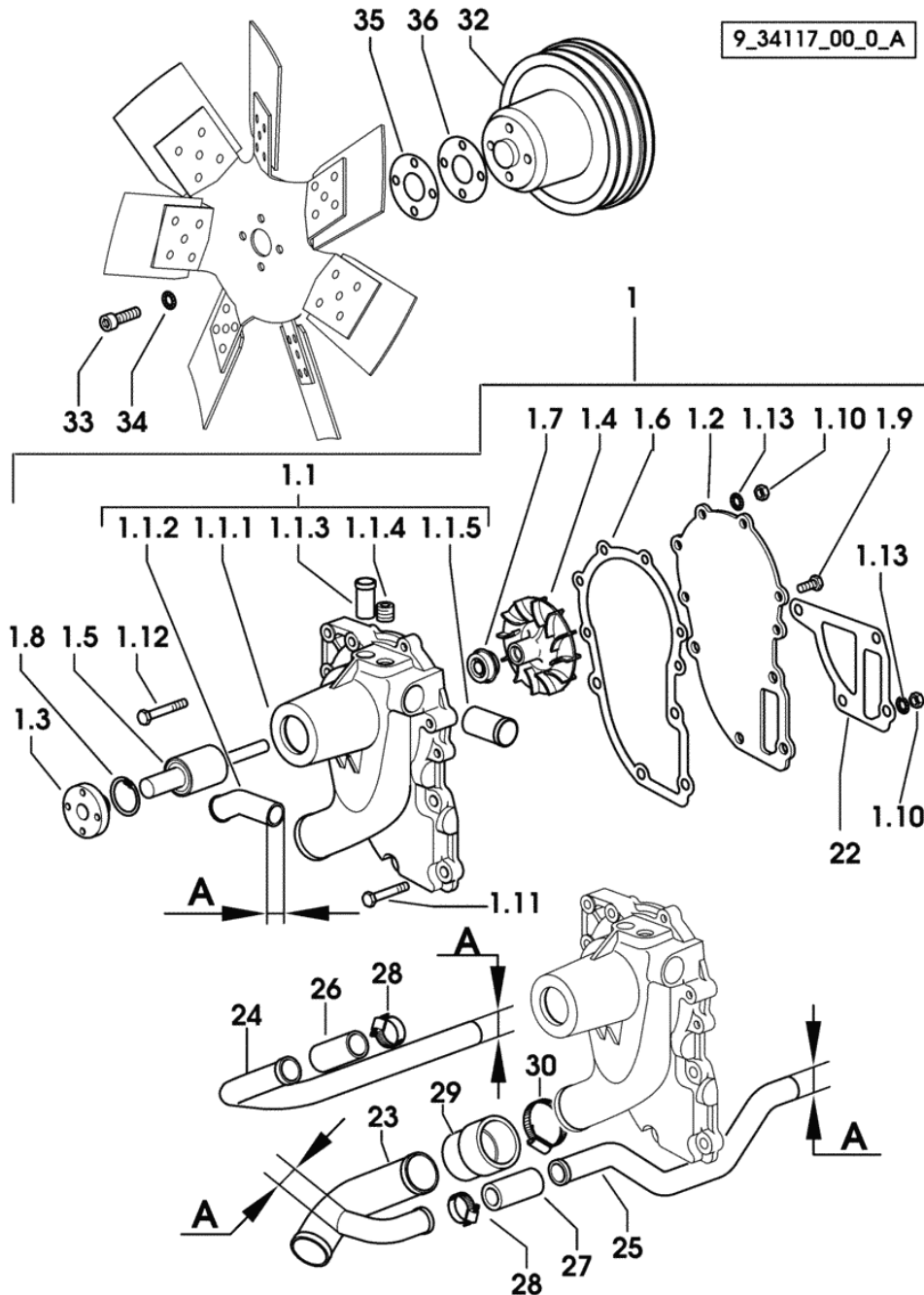


Fig.	Code	QTY	Name
------	------	-----	------

Notes:

-> 3535 X SILVER 160 -> 1540 X SILVER 180

1	0.010.1138.4/40	1	water pump
1.1	0.000.0000.1	0	not serviceable
1.1.1	0.000.0000.1	0	not serviceable
1.1.2	0.013.0148.0/10	1	tube mm 22
1.1.3	0.066.1750.0	1	tube
1.1.4	2.3130.003.1	1	plug 3/8" gas
1.1.5	0.007.0601.0	1	tube 28x1
1.2	0.007.0599.0/10	1	plate
1.3	0.000.0000.1	0	not serviceable
1.4	0.011.7165.2	1	impeller
1.5	0.000.0000.1	0	not serviceable
1.6	0.007.0600.0/20	1	gasket
1.7	2.1569.200.0	1	'o' ring
1.8	2.1411.016.1	1	circlip 40
1.9	2.0112.207.2	4	screw m 8 p 1.25 x 20
1.10	2.1011.105.2	2	nut m 8 p.1.25
1.11	2.0112.219.2	1	screw m 8 p.1.25x50
1.12	2.0112.220.2	1	screw m 8 p.1.25x55
1.13	2.1470.004.2	6	washer 8
22	0.075.1755.0/20	1	gasket
23	0.007.1385.2/30	1	tube
24	0.013.0154.0/20	1	tube
25	0.013.0155.0	1	tube
26	0.013.0157.0	1	sleeve 22x28x55
27	0.013.0157.0	1	sleeve 22x28x55
28	2.6851.002.0	4	clamp Ø 20/32
29	0.007.1118.0/10	1	sleeve
30	2.6851.005.0	2	clamp Ø 40/60
32	0.007.0963.0/10	1	pulley
33	2.0313.312.7	4	screw m 10 p 1.5x35
34	2.1480.015.1	4	washer 10
35	2.1589.130.0	4	snoulder 29 x 68 x 0.5
36	2.1589.131.0	5	snoulder 29 x 68 x 1.0

Section: ENGINE  
**WATER COOLING**

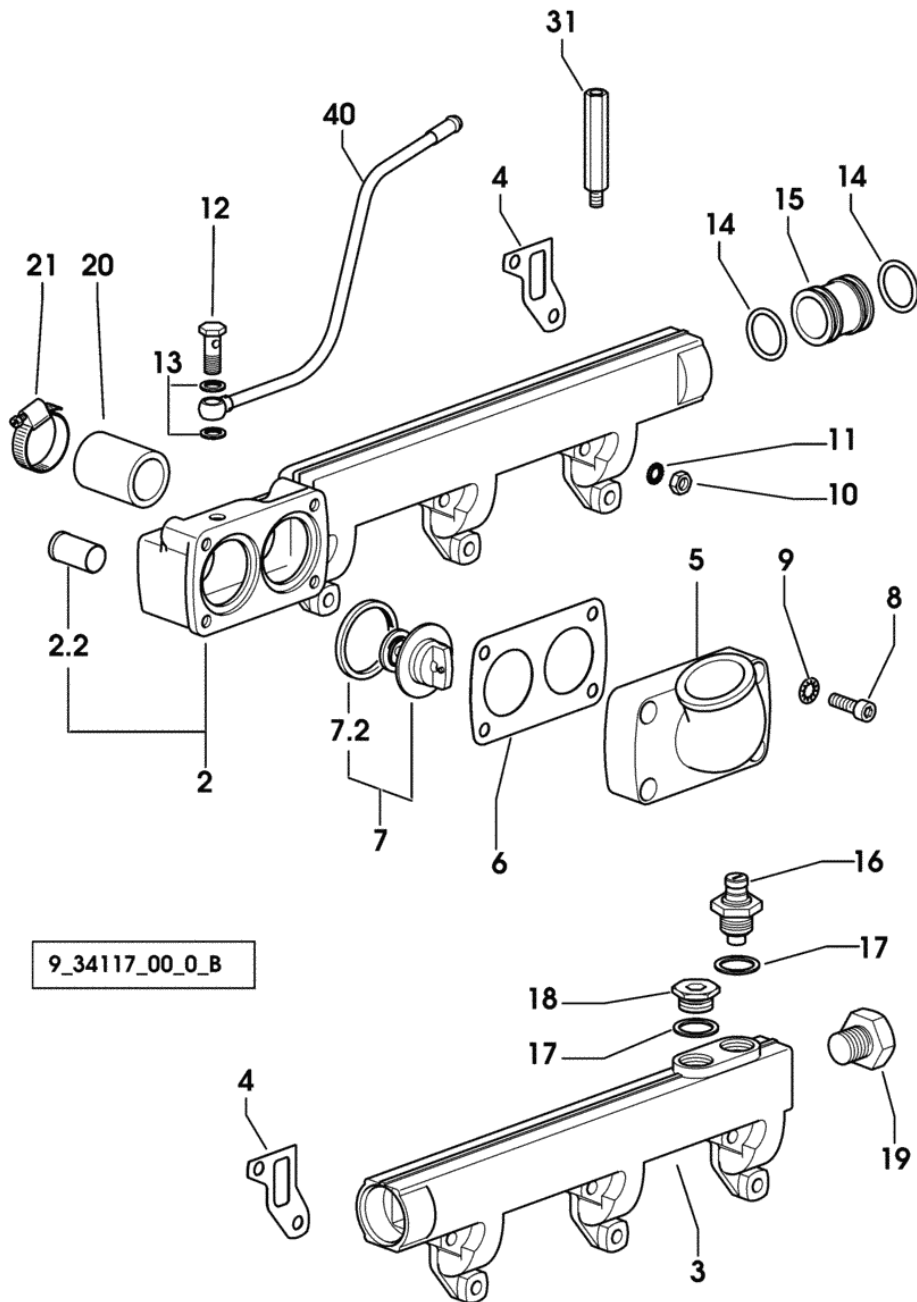
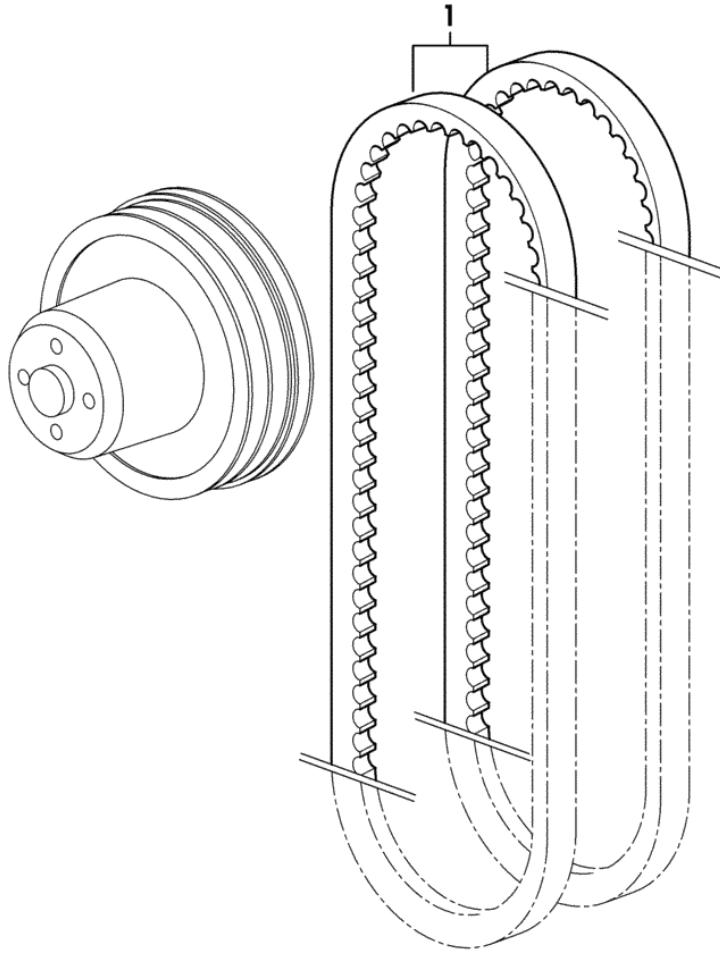


Fig.	Code	QTY	Name
2	0.007.0390.3/30	1	manifold
2.2	0.007.0601.0	1	tube 28x1
3	0.007.0611.0/10	1	manifold
4	0.066.1759.0/30	6	gasket
5	0.007.0725.0/20	1	cover
6	0.007.0635.0/20	1	gasket
7	0.007.1258.3/20	2	thermostat
7.2	0.007.1258.0	1	gasket
8	2.0312.208.2	4	screw m 8 p.1.25 x 25
9	2.1480.014.1	4	washer 8
10	2.1011.305.2	12	nut m 8 p.1 x 8
11	2.1470.004.2	12	washer 8
12	2.3339.480.2/10	1	pipe union m 10 p.1.25 x 19
13	2.1560.006.0	2	gasket 10.2 x 16
14	2.1530.082.0	2	'o' ring 31.34 x 3.53
15	0.007.0608.0/20	1	sleeve
16	2.7099.100.0/10	1	sensor
17	2.1560.018.0	2	gasket 22.2 x 29
18	2.3120.002.4	1	plug m 22 x 1.5
19	2.3130.004.1	1	plug 1/2 gas
20	0.007.0605.0/10	1	sleeve
21	2.6850.008.0	2	clamp 25-47
31	0.065.1762.0	5	small column m8 x 67
40	0.007.1255.2/20	1	tube

Section: ENGINE

**COOLANT PUMP DRIVEBELT**

Fig.	Code	QTY	Name
1	2.4119.099.0	2	belt AV 13x1437 mm



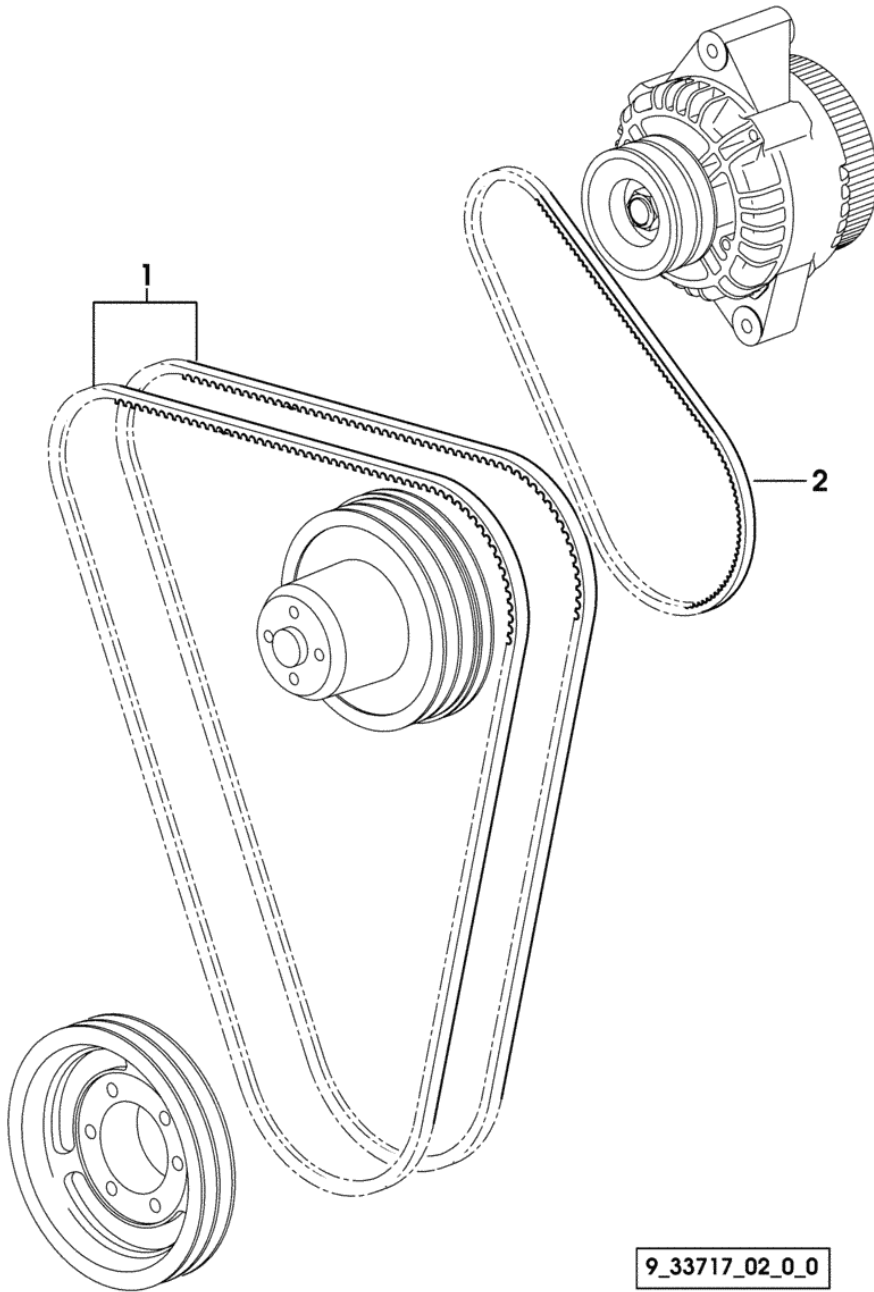
9\_33717\_01\_0\_0



Section: ENGINE

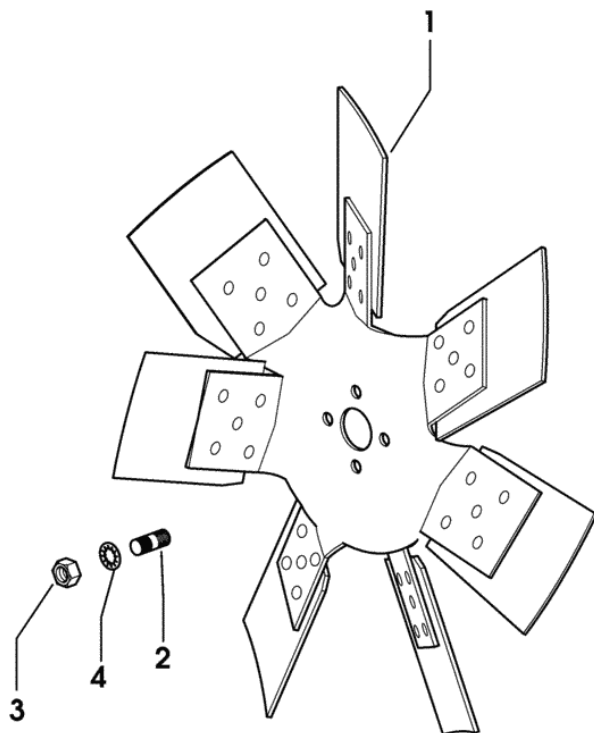
**V-BELT - FOR MODELS WITH COMPRESSOR**

Fig.	Code	QTY	Name
1	0.007.0967.0	2	belt AV 12.7x1470 mm
2	2.4119.108.0	1	belt AV 9.7x820 mm



**BLOWER**

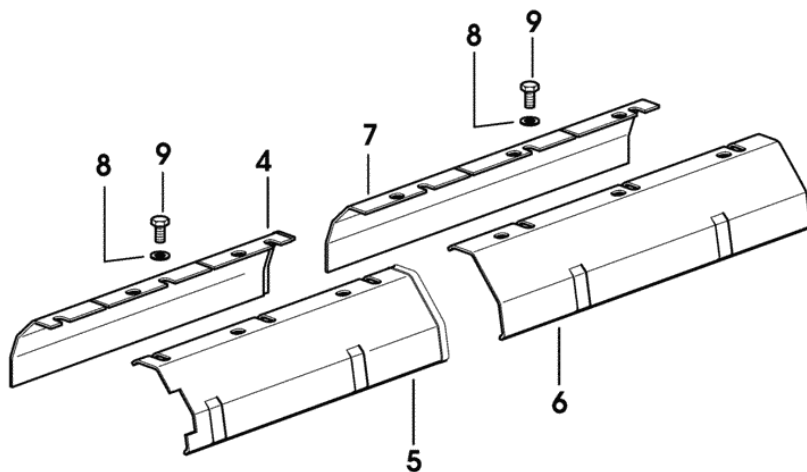
Fig.	Code	QTY	Name
1	0.007.1424.0	1	rotor blade
2	2.0432.011.7	4	stud bolt m 8 p.1.25 / p.1 x 40
3	2.1011.405.2	4	nut m 8 p.1
4	2.1470.004.2	4	washer 8



9\_34119\_01\_0\_0

Section: ENGINE  
WATER COOLING

Fig.	Code	QTY	Name
4	0.075.1756.0/20	1	guard
5	0.075.1757.0/10	1	guard
6	0.069.1752.0/20	1	guard
7	0.070.1752.0/40	1	guard
8	2.1310.004.2	5	flat washer 8.5
9	2.0112.204.2	5	screw m 8 p.1.25x14



9\_34619\_00\_0\_B

Section: ENGINE  
**INTAKE AND EXHAUST**

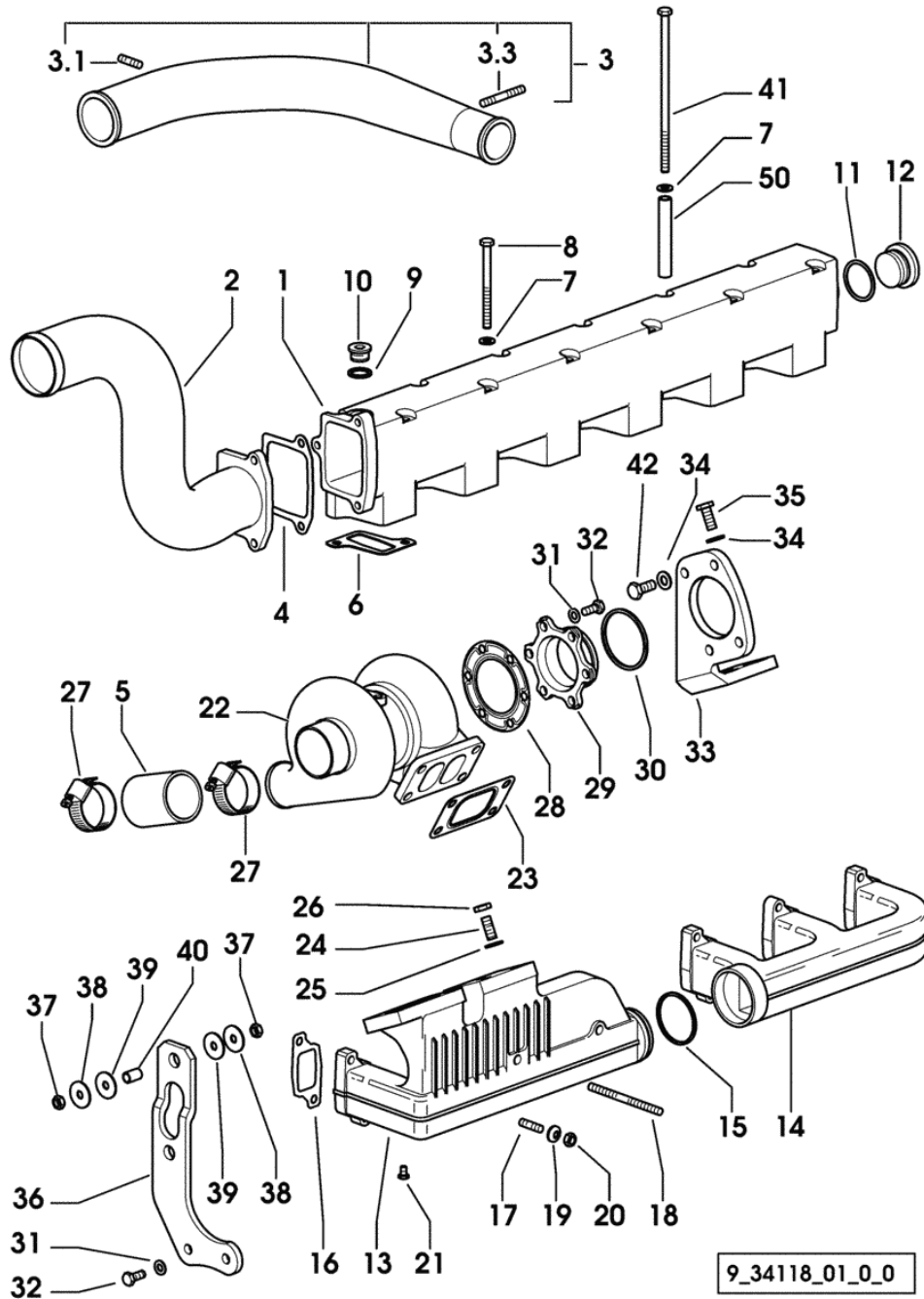


Fig.	Code	QTY	Name
1	0.075.1820.0/20	1	air intake manifold
2	0.007.0649.2	1	tube
3	0.007.0650.3/10	1	tube
3.1	2.0432.005.7	1	stud bolt m 8 p.1.25 / p.1 x 25
3.3	2.0439.205.0/10	1	stud bolt m 18
4	0.078.1851.0/10	1	gasket
5	0.074.1855.0	1	sleeve
6	0.011.1304.0/10	6	gasket
7	2.1480.014.1	12	washer 8
8	2.0312.228.2	8	screw m 8 p.1.25 x 120
9	2.1560.016.0	1	gasket 20.2 x 26
10	2.3199.103.2	1	plug m 20 p.1.5
11	2.1560.028.0	1	gasket 40.3 x 47
12	2.3120.106.0	1	plug m 40 p.1.5
13	0.007.0372.0/10	1	exhaust manifold
14	0.075.1850.0	1	manifold
15	0.075.1851.0	1	ring
16	0.007.1445.0	6	gasket
17	2.0432.007.2	9	stud bolt m 8 p.1.25 / p.1 x 30
18	2.0432.026.7	3	stud bolt m 8 p.1.25 - 1.00 x 110
19	2.1474.009.2	12	spring washer 8
20	2.1019.033.0	12	special nut m 8 p.1 x 8
21	2.0119.121.0	6	screw m 6 p.1 x 10
22	0.007.1250.4	1	turbo charger
23	0.071.1860.0	1	gasket
24	2.0432.155.7	4	stud bolt m 10 p.1.5 / p. 1.25 x 25
25	2.1475.003.7	4	washer 10.5
26	2.1019.071.0	4	special nut m 10 p 1.25
27	2.6851.006.0	2	clamp Ø 50/70
28	0.007.0988.0	1	gasket
29	0.007.0700.0/10	1	pipe fitting
30	0.001.2934.0	1	piston ring
31	2.1310.004.2	8	flat washer 8.5
32	2.0112.207.2	8	screw m 8 p 1.25 x 20
33	0.007.0699.0/10	1	flange
34	2.1310.006.2	7	flat washer 10.5
35	2.0112.309.2	3	screw m 10 p.1.5 x 25
36	0.008.9433.0	1	bracket
37	2.1011.405.2	2	nut m 8 p.1
38	2.1599.584.2	2	snoulder 9 x 30 x 2
39	0.021.1560.0	2	rubber plug
40	2.1549.030.2	1	spacer 9x12x18
41	2.0312.230.2	4	screw m 8 p.1.25x140
42	2.0399.121.0	4	screw m 10 x 25

Section: ENGINE  
**INTAKE AND EXHAUST**

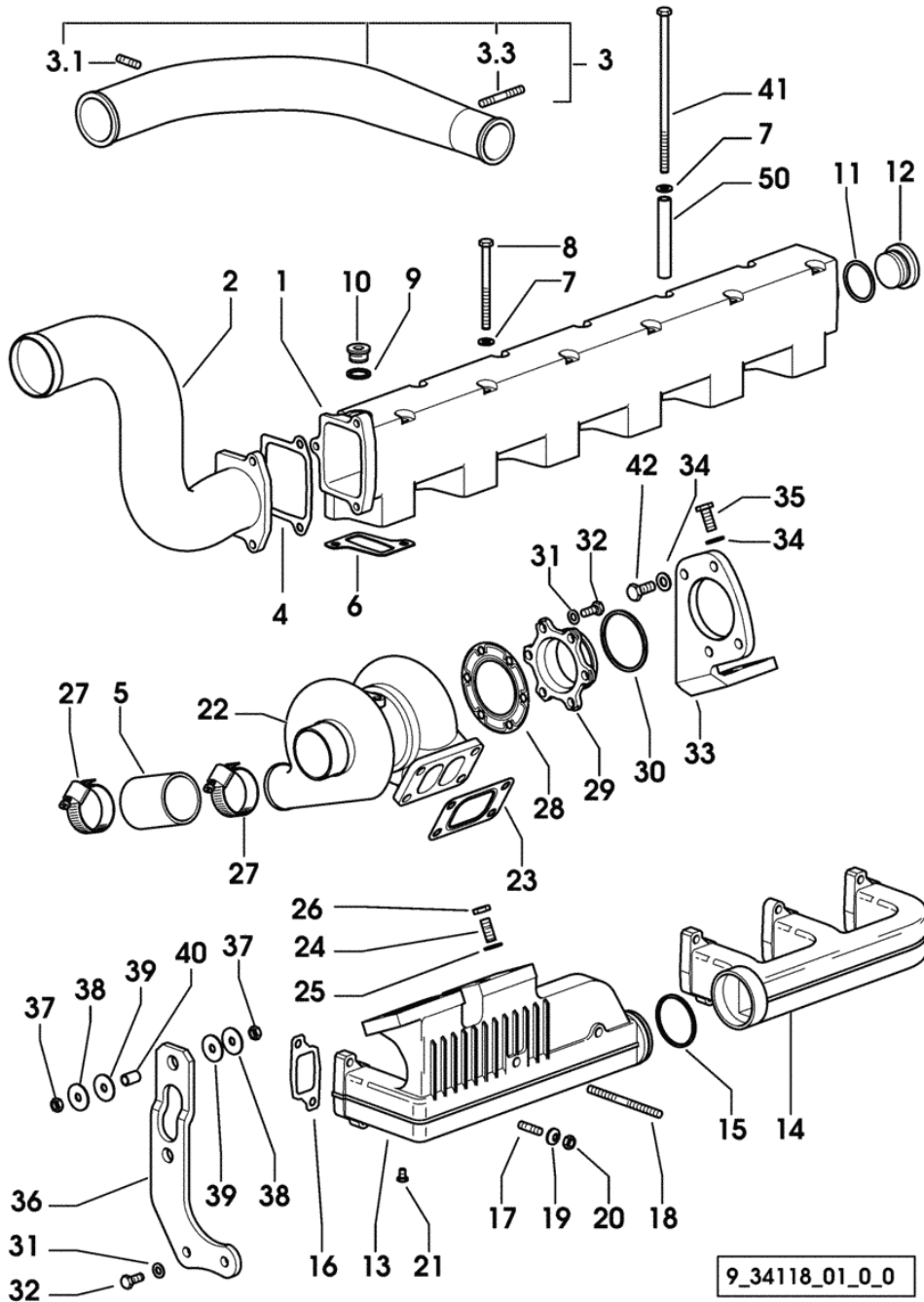


Fig.	Code	QTY	Name
50	2.1579.150.2	1	spacer 9x15x25

Section: ENGINE  
**INTERCOOLER**

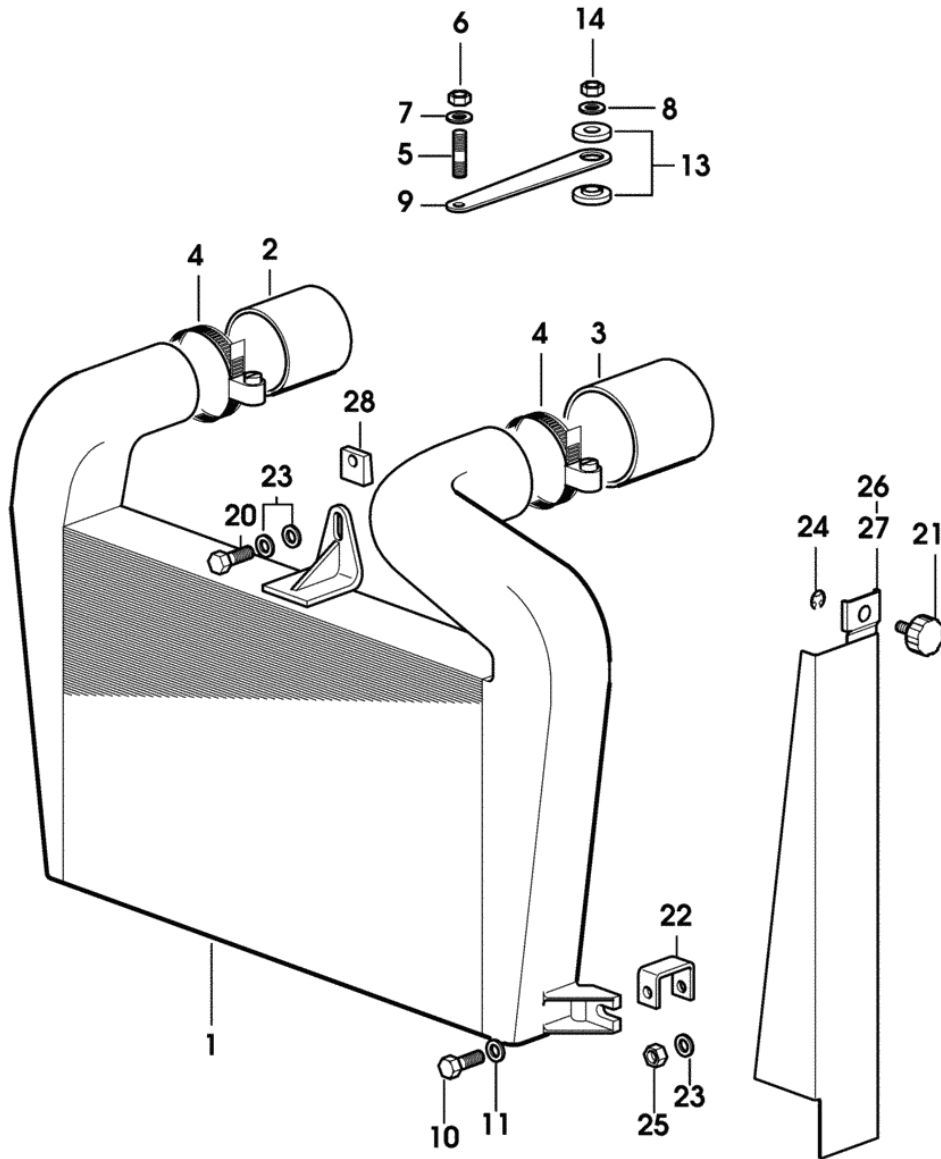
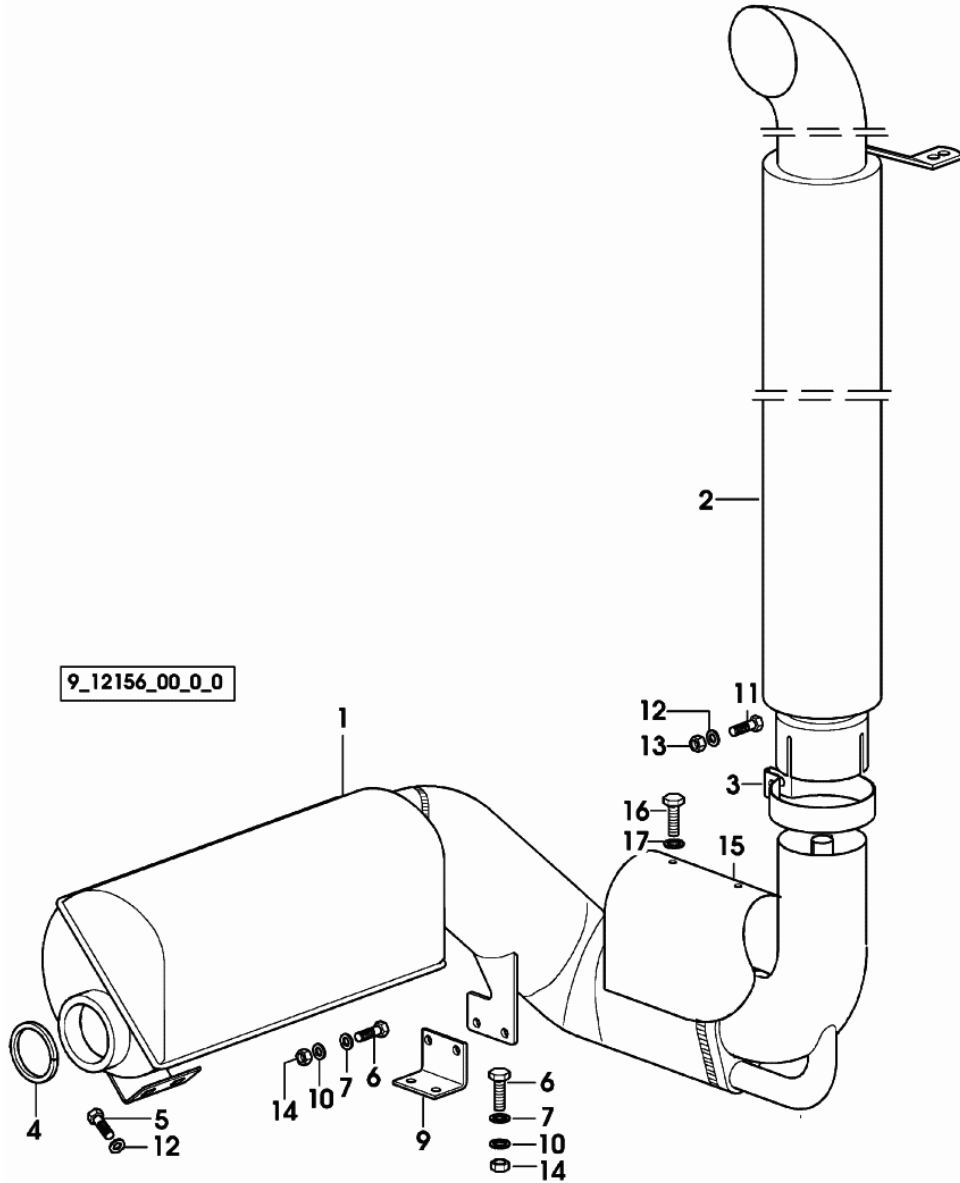


Fig.	Code	QTY	Name
1	0.007.0636.2/10	1	intercooler
2	0.007.0824.0/10	1	sleeve
3	0.074.1856.0	1	sleeve
4	2.6851.007.0	4	clamp Ø 60/80
5	2.0422.001.7	1	stud bolt m 6 p.1.0 x 16
6	2.1011.103.2	1	nut m 6 p.1
7	2.1310.002.2	1	washer 6.6, d125
8	2.1599.584.2	1	snoulder 9 x 30 x 2
9	0.007.0825.0	1	bracket
10	2.0112.207.2	4	screw m 8 p 1.25 x 20
11	2.1474.009.2	2	spring washer 8
13	0.021.1560.0	2	rubber plug
14	2.1011.405.2	1	nut m 8 p.1
20	2.0112.211.2	1	screw m 8 p.1.25 x 30
21	0.010.8644.2	2	knob
22	0.010.8582.3	2	support
23	2.1474.009.2	4	spring washer 8
24	2.1430.008.2	2	circlip 7
25	2.1011.105.2	2	nut m 8 p.1.25
26	0.010.8581.2	1	division sx/lh/li
27	0.010.8580.2	1	division dx/rh/re
28	0.010.8635.0	1	shim

9\_34619\_01\_0\_0

Section: ENGINE  
**SIDE EXHAUST SILENCER**

Fig.	Code	QTY	Name
1	0.011.0065.4/10	1	silencer
2	0.011.0066.2/20	1	exhaust
3	0.011.3384.0/10	1	clamp
4	0.001.2934.0	1	piston ring
5	2.0112.307.2	2	screw m 10 p.1.5 x 20
6	2.0112.207.2	4	screw m 8 p 1.25 x 20
7	2.1310.004.2	4	flat washer 8.5
9	0.011.1155.0	1	support
10	2.1474.009.2	4	spring washer 8
11	2.0112.311.6	1	screw m 10 p 1.5x30
12	2.1475.203.6	3	washer
13	2.1011.006.6	1	nut
14	2.1011.105.2	4	nut m 8 p.1.25
15	0.011.4651.0	1	shield
16	2.0322.404.3	2	screw m 6 p.1 x 12
17	2.1310.002.3	2	flat washer 6.4 x 12 x 1.6



**GASKET SET FOR ENGINE ASSEMBLY**

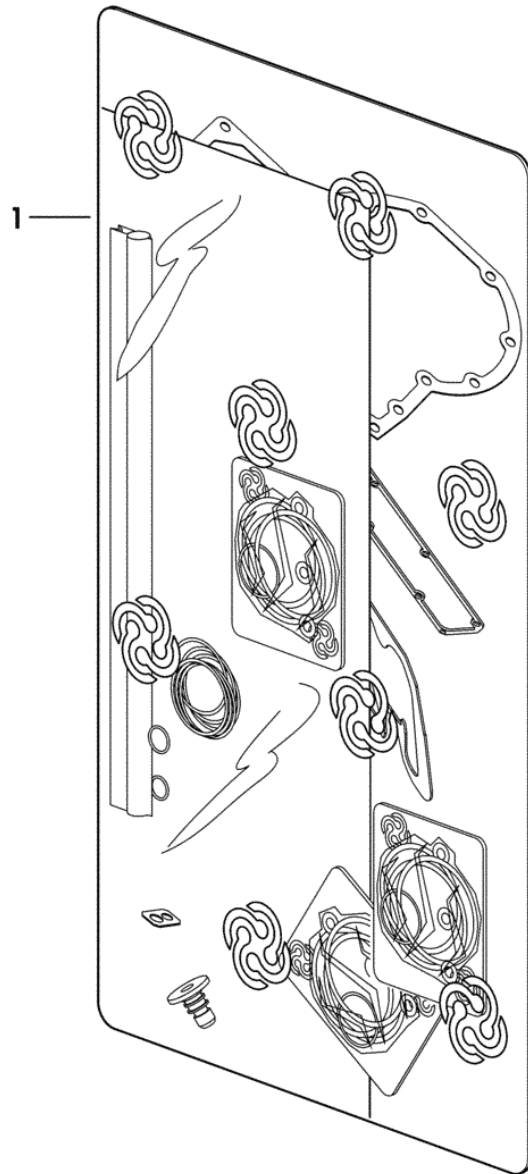


Fig.	Code	QTY	Name
1	0.337.0050.6/10	1	gasket set

9\_STAB21\_00\_0\_0



**INJECTOR NOZZLE HOLDER COMPONENTS**

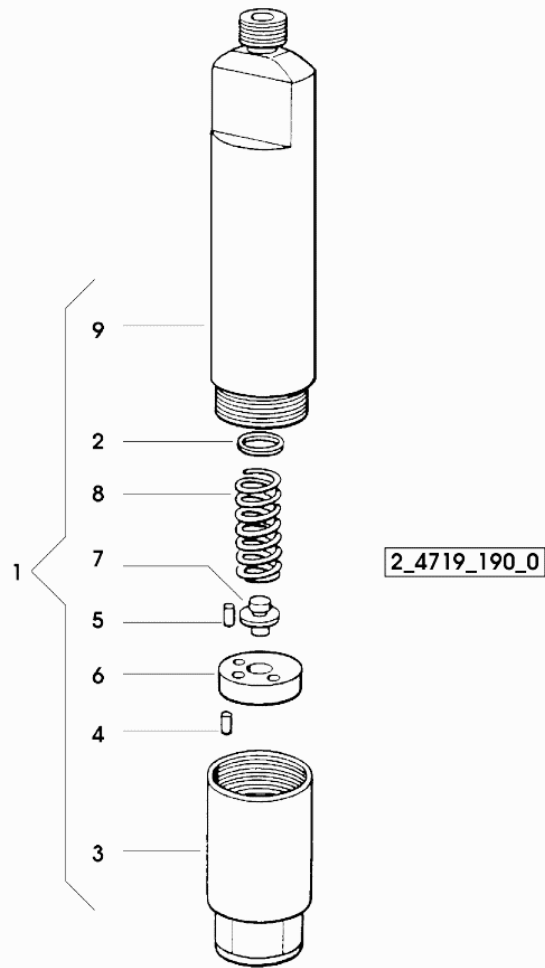


Fig.	Code	QTY	Name
1	2.4719.190.0	1	nozzle holder BOSCH
2	2.4719.170.1	1	shim
3	2.4719.150.1	1	ring nut
4	2.4719.172.0	2	roll pin
5	2.4719.171.9	2	roll pin
6	2.4719.171.8	1	pad
7	2.4719.171.7	1	pin
8	2.4719.171.6	1	spring
9	0.000.0000.1	0	not serviceable

# SILVER 160

## FRONT AND REAR P.T.O.

### GENERAL

P.T.O. FRONT.....	05.00.1
P.T.O. FRONT.....	05.00.2
DRIVE SHAFT - FRONT P.T.O. SHAFT.....	05.00.3
P.T.O. FRONT.....	05.00.4
P.T.O. SHAFT PROTECTOR - FRONT.....	05.00.5
P.T.O. - POWER TAKE OFF.....	05.00.6
P.T.O. - 540-1000 - WITH INSERTED END SHAFTS.....	05.00.7
P.T.O. - 750-1000 - WITH INSERTED END SHAFTS.....	05.00.8
P.T.O. GUARD.....	05.00.9
P.T.O. GUARD EXPORT GB.....	05.00.10

**P.T.O. FRONT**

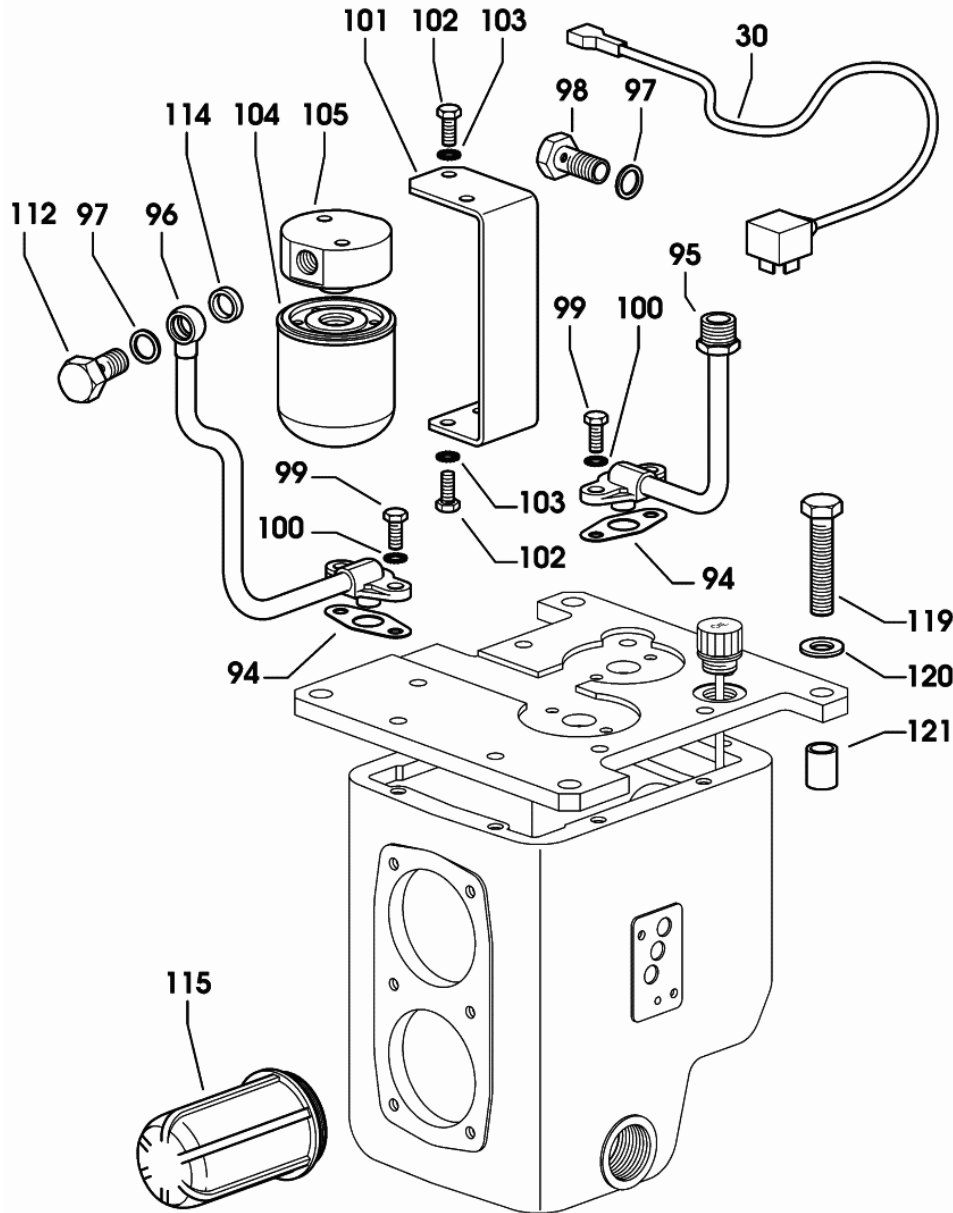
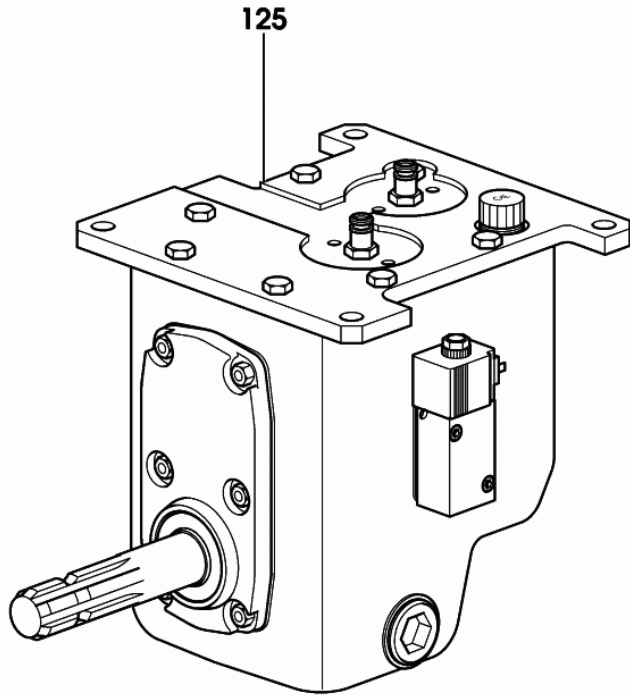


Fig.	Code	QTY	Name
30	0.008.0913.3	1	wire
94	0.052.1558.0/10	2	gasket
95	0.009.1816.3	1	tube
96	0.009.1817.3/20	1	tube
97	2.1560.012.0	3	gasket 16.2 x 22 x 1.5
98	2.3332.005.2	1	pipe fitting m 16 p.1.5
99	2.0112.207.2	4	screw m 8 p 1.25 x 20
100	2.1470.004.2	4	washer 8
101	0.009.1333.0/10	1	bracket
102	2.0112.207.2	4	screw m 8 p 1.25 x 20
103	2.1470.004.2	4	washer 8
104	2.4419.450.0	1	oil filter element
105	0.008.3065.0/30	1	head
112	2.3335.054.2	1	pipe union m 16 p.1.5
114	2.1569.154.0	1	gasket 16.2x22x6
115	0.154.3655.0/10	1	guard
119	2.0112.523.2	4	screw m 14 p.2x70
120	2.1311.009.2	4	flat washer 14
121	2.1549.011.2	4	spacer

9\_49259\_81\_0\_A

**P.T.O. FRONT**

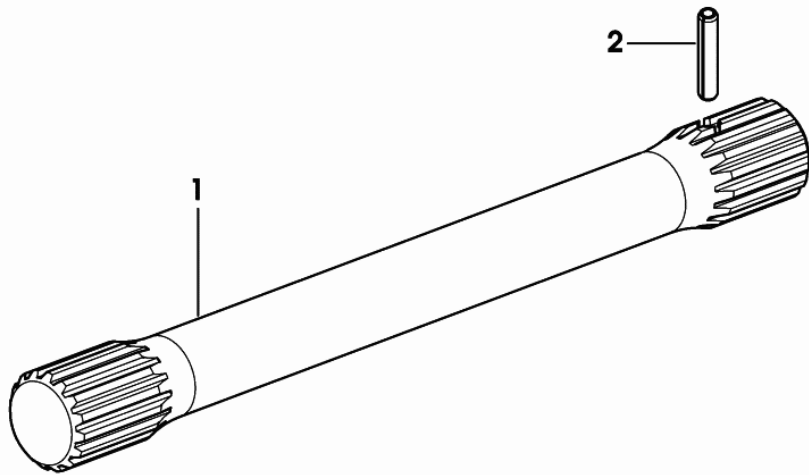
Fig.	Code	QTY	Name
125	0.000.0000.1	0	not serviceable COMPONENT PARTS SEE COMPONENTS LIST ☞ 2.3729.400.0 ☞ 05.00.20 ☞ 05.00.19 ☞ 05.00.18



9\_49259\_81\_0\_B

**DRIVE SHAFT - FRONT P.T.O. SHAFT**

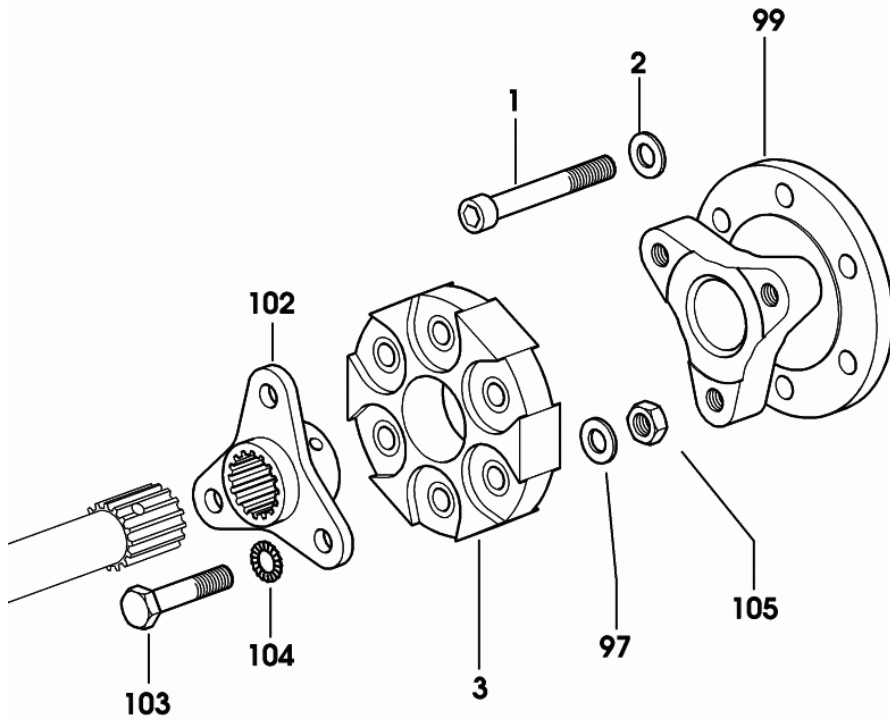
Fig.	Code	QTY	Name
1	0.009.2053.0/10	1	p.t.o.shaft
2	2.1630.615.0	1	roll pin 6x40



9\_49259\_87\_0\_0

**P.T.O. FRONT**

Fig.	Code	QTY	Name
1	2.0312.321.2	6	screw m 10 p.1.5 x 75
2	2.1480.015.1	6	washer 10
3	0.008.8341.0/10	1	flex coupling
97	2.1310.006.2	6	flat washer 10.5
99	0.008.8342.0	1	flange
102	0.009.1758.0/40	1	flange
103	2.0112.320.2	6	screw m 10 p.1.5 x 55
104	2.1470.006.2	3	lock washer 10
105	2.1120.006.2	3	nut m 10 p.1.5



9\_52659\_85\_0\_0

Section: FRONT AND REAR P.T.O.

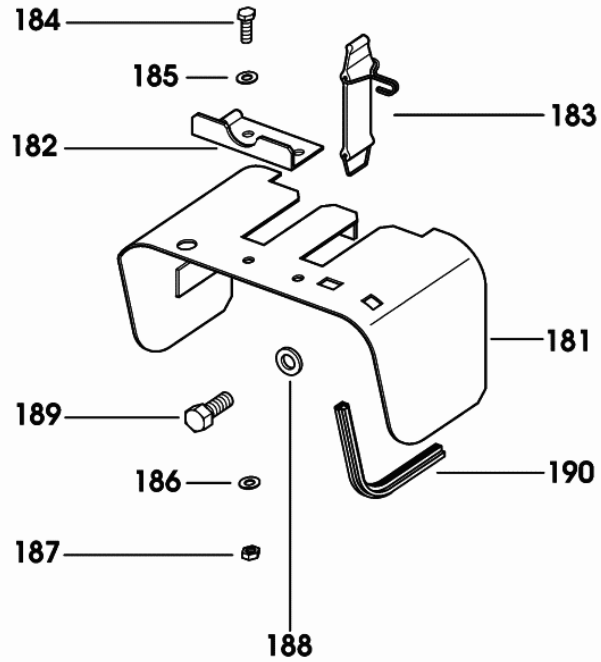
**P.T.O. SHAFT PROTECTOR - FRONT**

Fig.	Code	QTY	Name
181	0.009.0787.2/30	1	guard
182	0.008.8135.0	1	bracket
183	0.008.8133.2/10	1	rod
184	2.0112.206.2	2	screw m 8 p.1.25 x 18
185	2.1310.004.2	2	flat washer 8.5
186	2.1470.004.2	2	washer 8
187	2.1011.105.2	2	nut m 8 p.1.25
188	2.1475.003.7	1	washer 10.5
189	2.0112.307.2	1	screw m 10 p.1.5 x 20
190	0.009.1354.0/10	2	gasket mm 360

9\_12159\_80\_0\_D

Section: FRONT AND REAR P.T.O.  
**P.T.O. - POWER TAKE OFF**

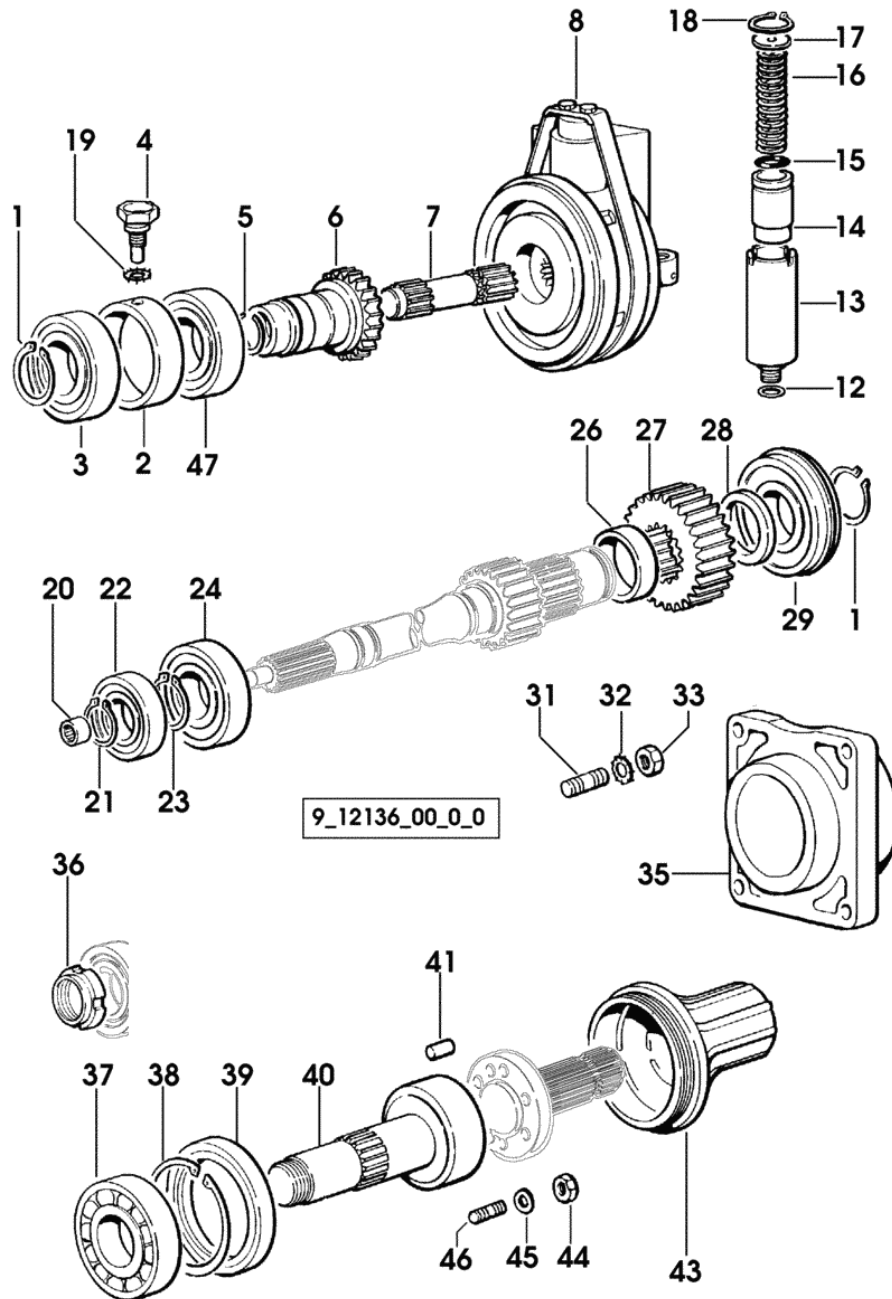


Fig.	Code	QTY	Name
1	2.1410.018.7	2	circlip 45
2	2.1549.041.0	1	spacer 77.1x85x28
3	2.2045.013.0	1	bearing 45 x 85 x 19
4	0.264.8268.0	1	screw
5	2.1421.011.1	1	circlip b 28
6	0.010.8856.0/10	1	gear Z = 31
7	0.007.7843.0/20	1	shaft
8	0.010.9908.4	1	hydraulic pto clutch COMPONENT PARTS SEE COMPONENTS LIST ☞ 0.010.9908.4 ☞ 05.00.21
12	2.1560.010.0	1	gasket 14.2 x 20 x 1.5
13	0.164.8274.0/10	1	cylinder
14	0.164.8275.0/10	1	piston
15	2.1532.072.0	1	'o' ring 26.70x1.78
16	2.4019.174.1	1	spring 23.5x90x3.5
17	2.1599.241.0	1	snoulder 6.0 x 31 x 2.0
18	2.1411.013.1	1	circlip 32
19	2.1470.007.2	1	lock washer 12
20	2.2725.015.0	1	roller cage 14x20x12
21	2.1410.014.1	2	circlip 35
22	2.2045.011.0	1	ball bearing 35 x 72 x 17
23	2.1410.016.1	1	circlip 40
24	2.2999.241.0	1	bearing 40 x 90 x 23
26	2.1549.040.0	1	spacer 50.5x60.3x10.5
27	0.007.7517.0/20	1	gear
28	2.1549.039.0	1	spacer 45.5x60.3x6.25
29	2.2065.013.0	1	ball bearing 45x100x25
31	2.0432.261.7	4	stud bolt m 12 p.1.75-1.25x40
32	2.1470.007.2	4	lock washer 12
33	2.1011.422.2	4	nut m 12 p.1.25
35	0.170.3651.0/10	1	cover
36	2.1214.008.7	1	ring nut 35 md
37	2.2064.013.0	1	ball bearing 45x100x25
38	2.1411.040.1	1	circlip 100
39	2.1529.120.0	1	'o' ring 85x110x13
40	0.007.7521.0/10	1	p.t.o.shaft
41	2.1651.811.0	2	cylindrical plug 10x24
43	0.163.3664.0/10	1	guard
44	2.1012.421.7	6	nut m 10 p.1.25
45	2.1470.006.2	6	lock washer 10
46	2.0433.155.7	6	stud bolt m 10 p.1.25 x 25
47	2.2999.267.0/10	1	bearing



**P.T.O. - 540-1000 - WITH INSERTED END SHAFTS**

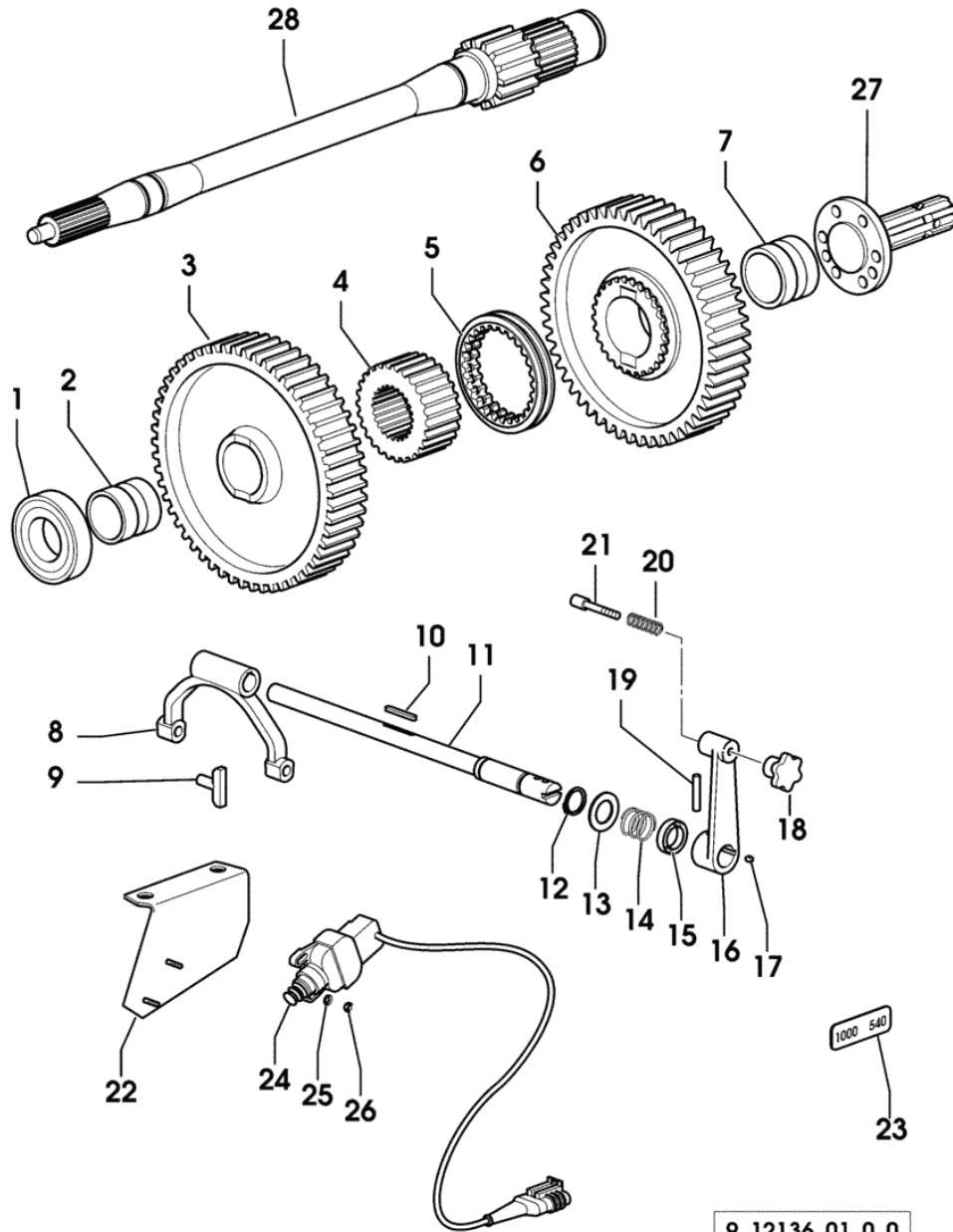


Fig.	Code	QTY	Name
1	2.2999.174.0/10	1	bearing 40 x 80 x 18
2	2.1559.264.7	1	bushing 40x48x44
3	0.007.7518.0/10	1	gear Z = 54
4	0.007.7522.0/10	1	hub
5	0.224.3452.0	1	sleeve
6	0.007.7519.0/10	1	gear Z = 48
7	2.1559.265.7	1	bushing 45x54x40.8
8	0.007.7565.0/10	1	fork
9	0.007.7559.0	2	shoe
10	2.1711.011.0	1	dowel 5x3x36
11	0.007.7574.0/20	1	rod
12	2.1410.006.1	1	circlip 20
13	2.1599.272.0	1	snoulder 21x34.5x2
14	2.4019.222.1	1	spring
15	2.1539.142.0	1	'o' ring 15.54x2.62
16	0.007.7566.0/10	1	lever
17	2.1720.006.0	1	key 4x6.5
18	0.195.6860.0/20	1	knob
19	2.1631.515.9	1	roll pin 6 x 32
20	2.4019.235.0	1	spring
21	0.195.6859.0	1	pin
22	0.009.1648.2/10	1	bracket
23	2.9929.322.0	1	shield
24	2.7659.096.0/10	1	switch
25	2.1310.028.2	2	flat washer 4
26	2.1011.101.2	2	nut m 4 p.0.7
27	0.167.3660.0/30	1	p.t.o.shaft 1" 3/8, Z = 6
28	0.007.7516.0/10	1	shaft

9\_12136\_01\_0\_0

**P.T.O. - 750-1000 - WITH INSERTED END SHAFTS**

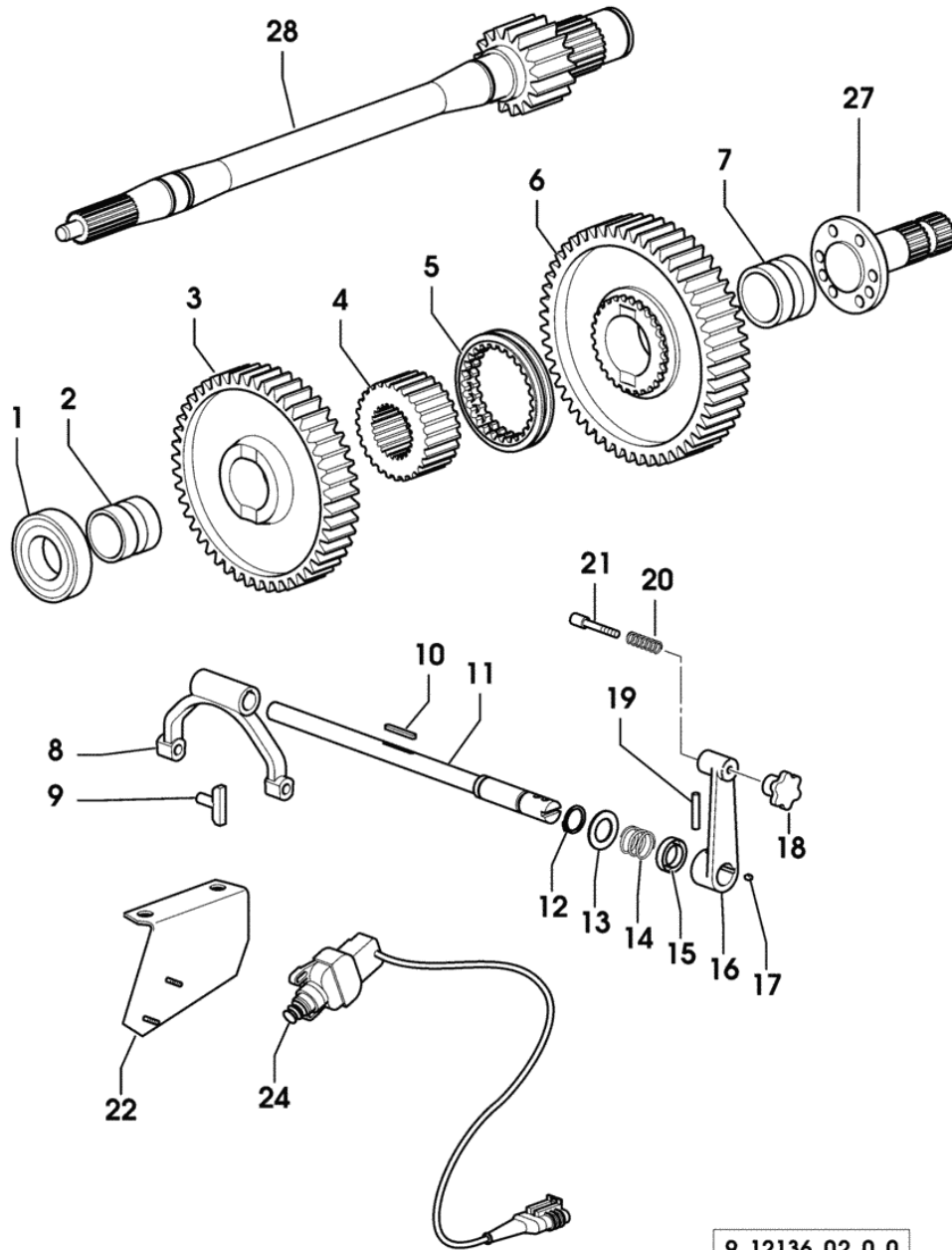
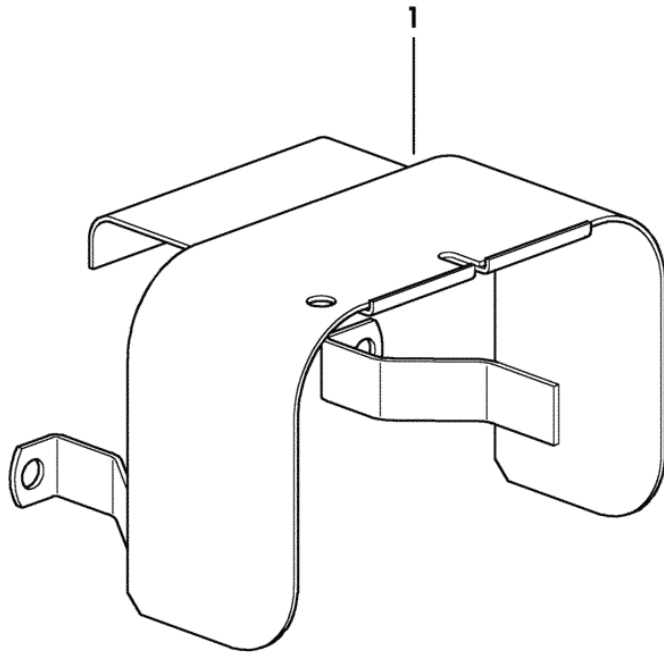


Fig.	Code	QTY	Name
1	2.2999.174.0/10	1	bearing 40 x 80 x 18
2	2.1559.264.7	1	bushing 40x48x44
3	0.008.5306.0/10	1	gear z = 52
4	0.007.7522.0/10	1	hub
5	0.224.3452.0	1	sleeve
6	0.007.7519.0/10	1	gear Z = 48
7	2.1559.265.7	1	bushing 45x54x40.8
8	0.007.7565.0/10	1	fork
9	0.007.7559.0	2	shoe
10	2.1711.011.0	1	dowel 5x3x36
11	0.007.7574.0/20	1	rod
12	2.1410.006.1	1	circlip 20
13	2.1599.272.0	1	snoulder 21x34.5x2
14	2.4019.222.1	1	spring
15	2.1539.142.0	1	'o' ring 15.54x2.62
16	0.007.7566.0/10	1	lever
17	2.1720.006.0	1	key 4x6.5
18	0.195.6860.0/20	1	knob
19	2.1631.515.9	1	roll pin 6 x 32
20	2.4019.235.0	1	spring
21	0.195.6859.0	1	pin
22	0.009.1648.2/10	1	bracket
24	2.7659.096.0/10	1	switch
27	0.163.3671.0/40	1	p.t.o.shaft 1" 3/8, Z = 21
28	0.008.5305.0	1	p.t.o.shaft

9\_12136\_02\_0\_0

**P.T.O. GUARD**

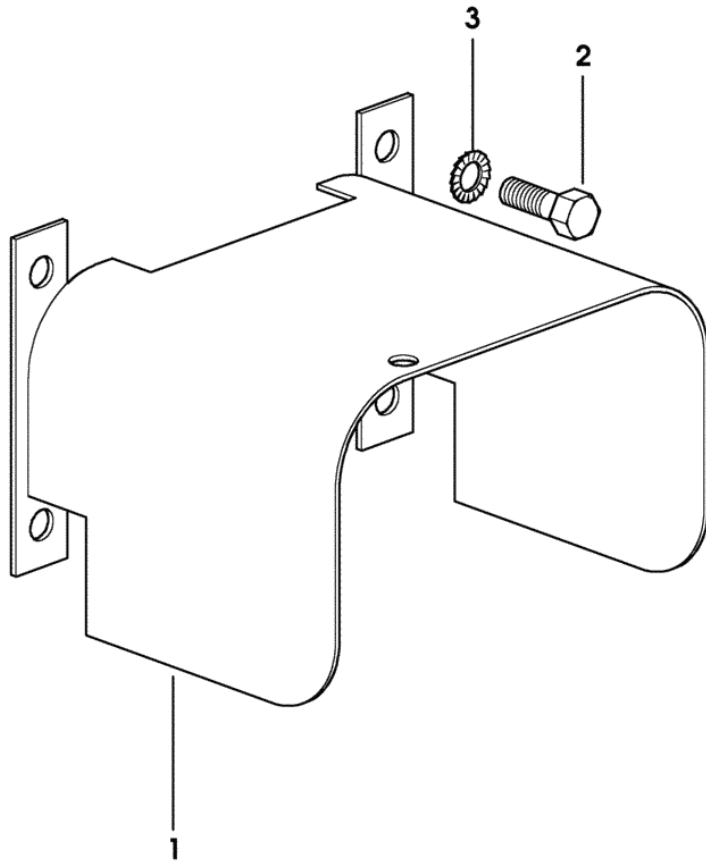
Fig.	Code	QTY	Name
1	0.97906.50.2/20	1	small sump



9\_49236\_20\_0\_0

**P.T.O. GUARD EXPORT GB**

Fig.	Code	QTY	Name
1	0.008.1903.2	1	small sump
2	2.0112.607.2	4	screw m 16 p.2x20
3	2.1470.009.2	4	lock washer 16



9\_49236\_22\_0\_0

# SILVER 160

## FRONT AXEL

### GENERAL

FRONT SUPPORT.....	04.00.1
4WD - FRONT DRIVE AXLE.....	04.00.2
4WD - FRONT DRIVE AXLE.....	04.00.3
4WD - POWER STEERING CYLINDER.....	04.00.4
4WD - FRONT BRAKING SYSTEM.....	04.00.5
PIN.....	04.00.7
4WD - FRONT BRAKES.....	04.00.8
FRONT WHEEL HUB COVER.....	04.00.9
4WD - FRONT DIFFERENTIAL LOCK.....	04.00.10
4WD - FRONT DIFFERENTIAL LOCK.....	04.00.11
BEVEL WHEEL GEAR.....	04.00.12
4WD - FRONT DIFFERENTIAL LOCK.....	04.00.13
4WD - FRONT DIFFERENTIAL LOCK.....	04.00.14
4WD-P.T.O.....	04.00.15
4WD-P.T.O.....	04.00.17
4WD - TRANSMISSION SHAFT - FOR TYPES WITHOUT SUSPENSION.....	04.00.19
DRIVE SHAFT.....	04.00.20

Section: FRONT AXEL  
**FRONT SUPPORT**

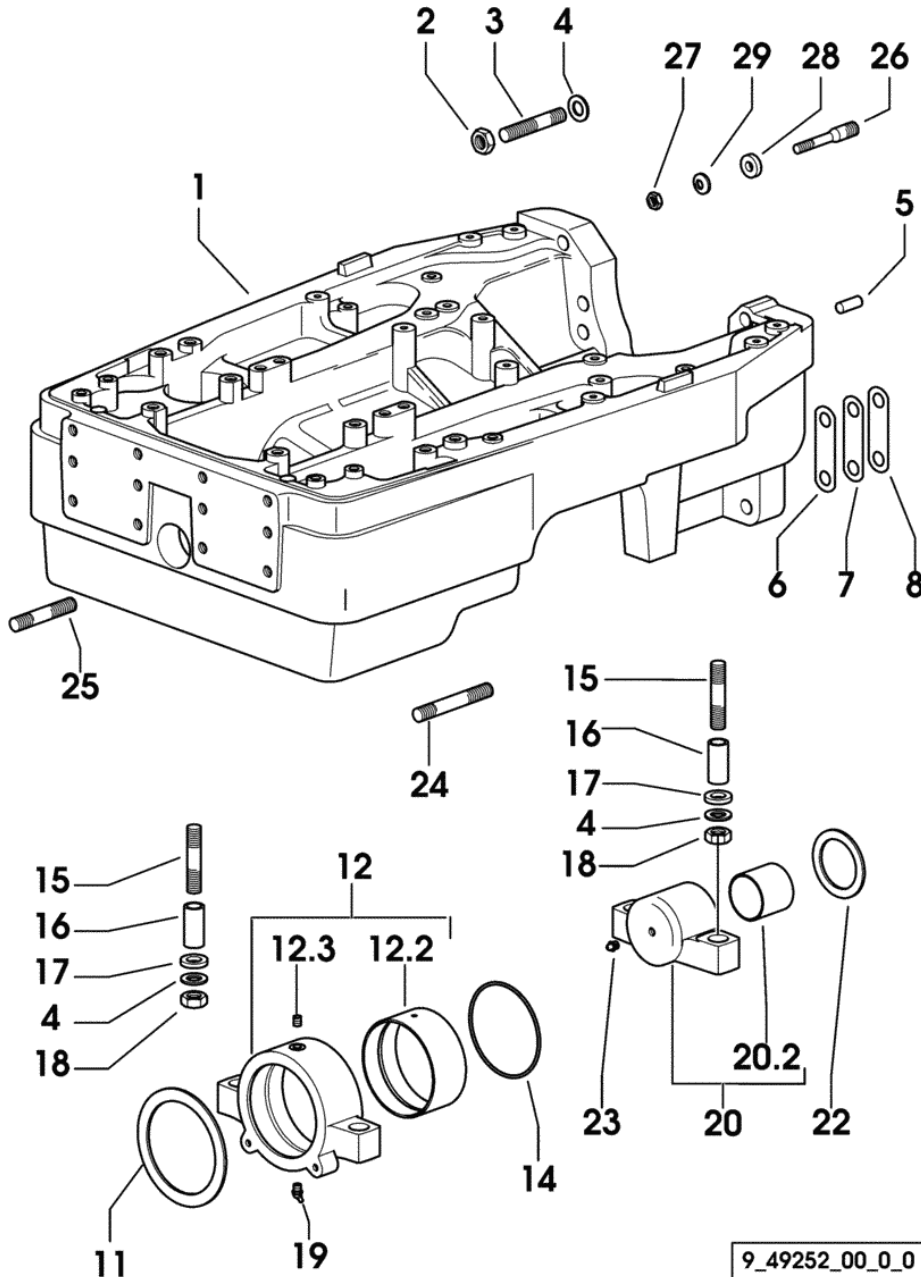


Fig.	Code	QTY	Name
1	0.010.9961.0	1	front support
2	2.1019.060.2	10	special nut m 18 p.1.5
3	2.0439.202.0	7	stud bolt m 18 p.1.5-m 18x80
4	2.1311.011.2	14	flat washer 18
5	2.1699.035.0	2	cylindrical plug 14 x 35
6	0.157.5252.0	2	shim mm 1.0
7	0.157.5250.0	2	shim mm 0.20
8	0.157.5251.0	2	shim mm 0.50
11	2.1599.182.0	1	snoulder 127x160x4
12	0.154.5233.3/30	1	support
12.2	2.1559.092.0	1	bushing 127x133x58
12.3	2.3131.051.2	1	plug m10 p.1
14	2.1530.229.0	1	'o' ring 126.6x3.53
15	2.0432.523.7	4	stud bolt m 18 p.2.5-1.5x90
16	2.1559.093.0	4	bushing 18.5x26x54
17	2.1599.030.0	4	snoulder 19x35x6
18	2.1011.310.2	4	nut m 18 p.1.5
19	2.3821.103.2	1	lubricator m 10 p.1
20	0.154.5232.3	1	support
20.2	2.1559.091.0	1	bushing 58x63x55
22	2.1599.181.0	1	snoulder 68x92x4
23	2.3820.105.2	1	lubricator m 10 p.1 x 7
24	2.0439.204.0	2	stud bolt m 18 p.1.5x105
25	2.0439.203.0	1	stud bolt m 18 p.1.5x95
26	2.0439.227.7	1	stud bolt
27	2.1012.322.7	1	nut m 12 p.1.25
28	2.1549.284.2	1	washer 12.5x30x8
29	2.1475.204.7	1	washer 12x3.2

9\_49252\_00\_0\_0

Section: FRONT AXEL  
**4WD - FRONT DRIVE AXLE**

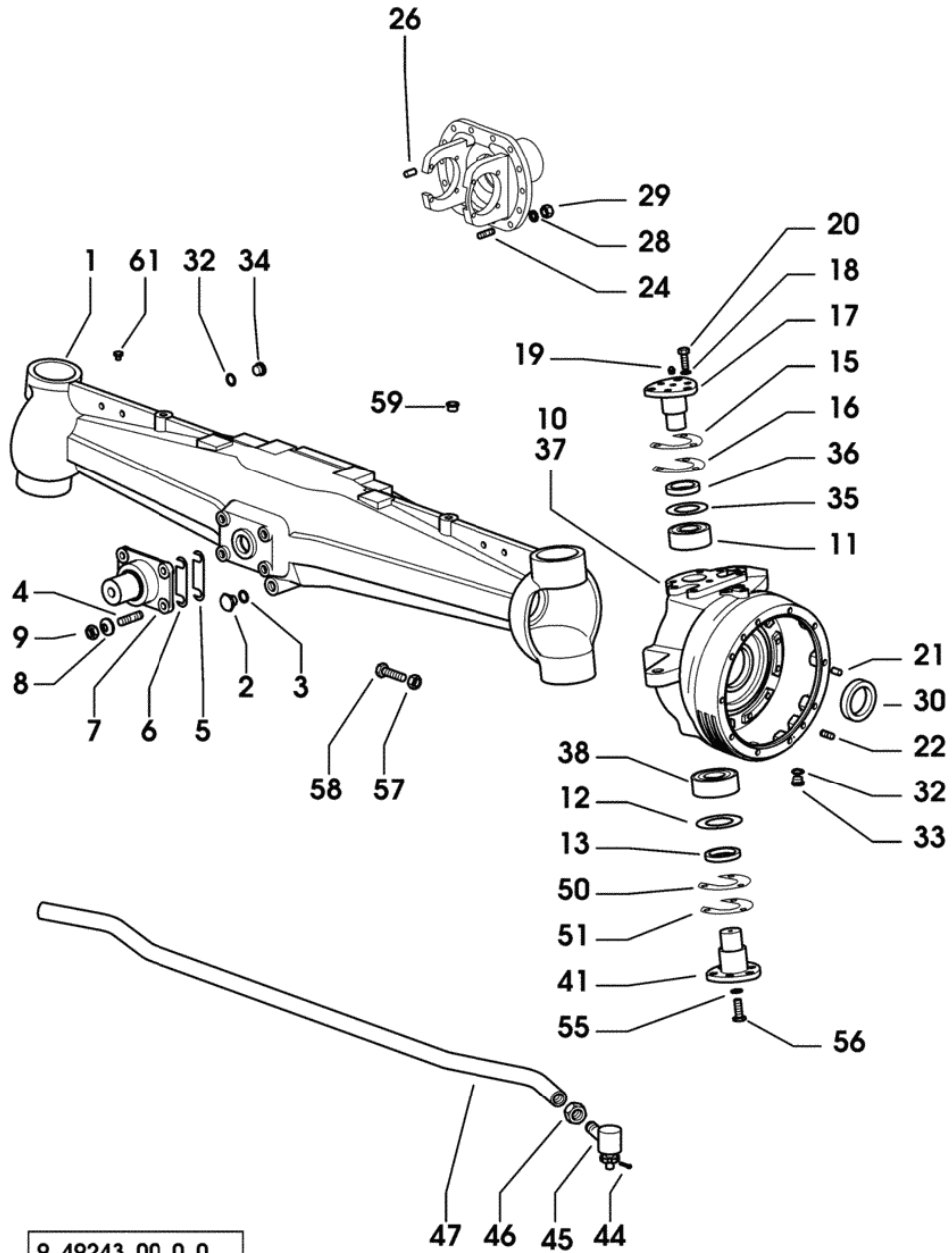


Fig.	Code	QTY	Name
1	0.257.4355.0/70	1	front axle 3541 <- X SILVER 160 1545 <- X SILVER 180
1	0.010.4057.0/20	1	front axle -> 3542 X SILVER 160 -> 1546 X SILVER 180
2	2.3199.021.2	1	plug 1/2" gas
3	2.1560.054.0	1	gasket 21 x 26
4	2.0433.309.7	4	stud bolt m 14 p.1.5x35 3541 <- X SILVER 160 1545 <- X SILVER 180
4	2.0433.411.7	4	stud bolt m 16 p.1.5x40 -> 3542 X SILVER 160 -> 1546 X SILVER 180
5	0.154.4351.0	4	shim mm 0.20 3541 <- X SILVER 160 1545 <- X SILVER 180
5	0.010.4248.0	4	plate mm 0.50 -> 3542 X SILVER 160 -> 1546 X SILVER 180
6	0.154.4352.0	8	shim mm 0.50 3541 <- X SILVER 160 1545 <- X SILVER 180
6	0.010.4249.0	8	plate mm 0.20 -> 3542 X SILVER 160 -> 1546 X SILVER 180
7	0.154.4320.0	1	pin 3541 <- X SILVER 160 1545 <- X SILVER 180
7	0.012.8908.0	1	pin -> 3542 X SILVER 160 -> 1546 X SILVER 180
8	2.1475.205.2	4	spring washer 14 3541 <- X SILVER 160 1545 <- X SILVER 180
8	2.1475.206.2	4	washer 16 -> 3542 X SILVER 160 -> 1546 X SILVER 180
9	2.1012.408.7	4	nut m 14 p.1.5 3541 <- X SILVER 160 1545 <- X SILVER 180
9	2.1012.409.7	4	nut m 16 -> 3542 X SILVER 160 -> 1546 X SILVER 180

9\_49243\_00\_0\_0

Section: FRONT AXEL  
4WD - FRONT DRIVE AXLE

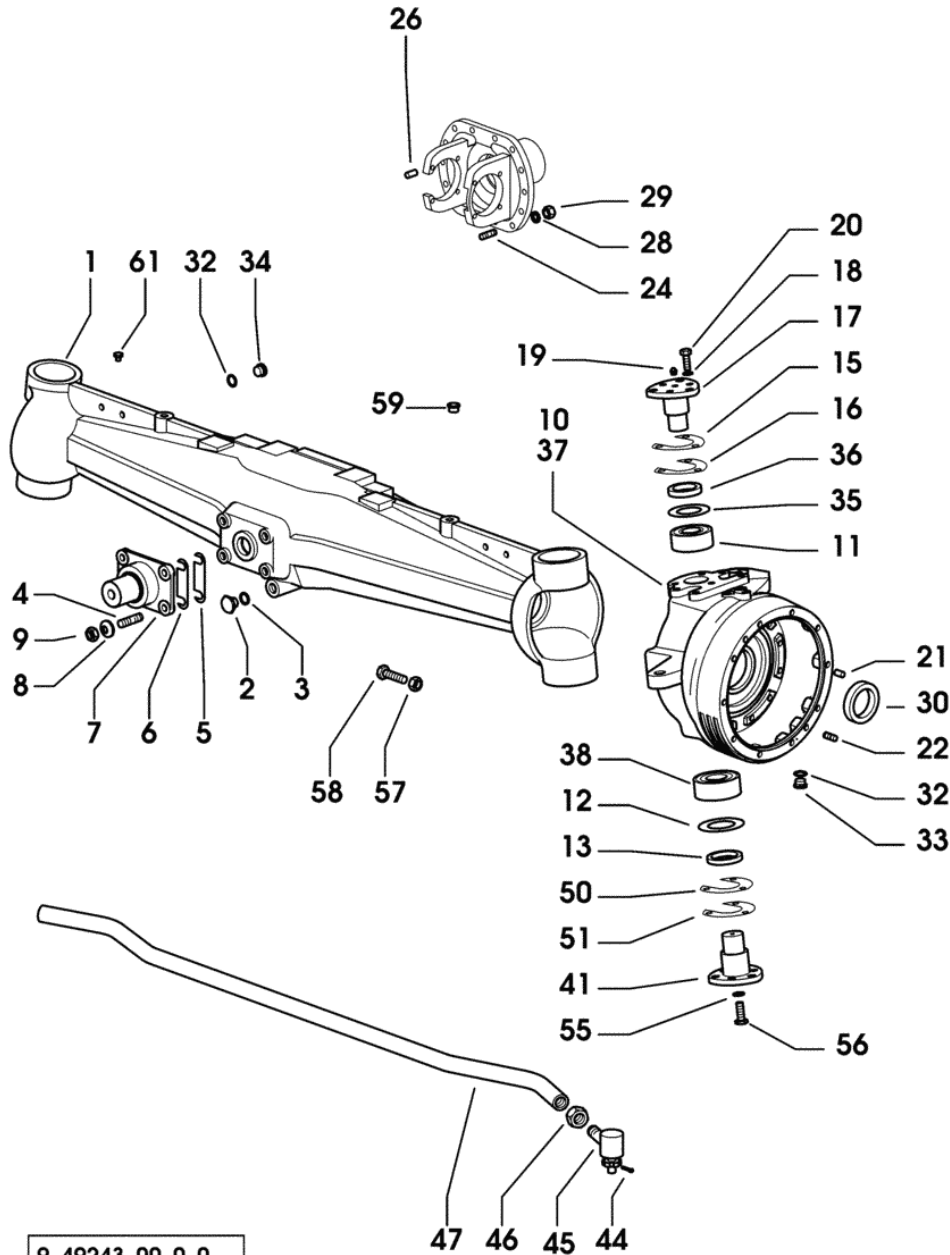


Fig.	Code	QTY	Name
10	0.269.4330.0/60	1	fork dx/rh/re 3541 <- X SILVER 160 1545 <- X SILVER 180
10	0.010.4047.0/30	1	fork dx/rh/re -> 3542 X SILVER 160 -> 1546 X SILVER 180
11	2.2550.010.0	2	roller bearing 40x90x35.25
12	2.1599.340.0	2	snoulder 59x99x1
13	2.1569.086.0	2	gasket 57x76x10
15	0.212.4355.0	12	shim mm 0.20
16	0.212.4356.0/10	4	shim mm 0.15
17	0.212.4335.0/10	1	pin
18	2.1470.007.2	6	lock washer 12
19	2.3821.103.2	3	lubricator m 10 p.1
20	2.0112.413.2	3	screw m 12 p.1.75x35
21	2.1651.915.0	4	pin 12x35
22	2.0432.257.7	20	stud bolt m 12 p.1.75 - 1.25 x 30
24	2.0432.259.7	13	stud bolt m 12 p.1.75-1.25x35
26	2.1699.035.0	2	cylindrical plug 14 x 35
28	2.1475.004.2	13	washer 12
29	2.1011.322.2	13	nut m 12 p.1.25
30	2.1529.134.0	2	'o' ring 65x90x17.5
32	2.1560.054.0	5	gasket 21 x 26
33	2.3199.021.2	2	plug 1/2" gas
34	2.3199.001.2	3	plug 1/2" gas
35	2.1599.339.0	2	snoulder 53x89x1
36	2.1569.085.0	2	gasket 51x72x12
37	0.269.4331.0/60	1	fork sx/lh/li 3541 <- X SILVER 160 1545 <- X SILVER 180
37	0.010.4048.0/30	1	fork sx/lh/li -> 3542 X SILVER 160 -> 1546 X SILVER 180
38	2.2550.011.0	2	roller bearing 45x100x38.25
41	0.212.4337.0/10	2	pin
44	2.1690.411.2	2	split pin 4x28
45	0.257.4345.4	2	ball joint
46	2.1099.020.1	2	special nut m 24 p.1.5
47	0.257.4356.0/10	1	connecting rod
50	0.212.4358.0	12	shim mm 0.30
51	0.212.4359.0/10	4	shim mm 0.15
55	2.1470.008.2	6	lock washer 14
56	2.0112.515.2	6	screw m 14 p.2 x 40
57	2.1011.209.2	4	nut m 16 p.2



Section: FRONT AXEL  
**4WD - FRONT DRIVE AXLE**

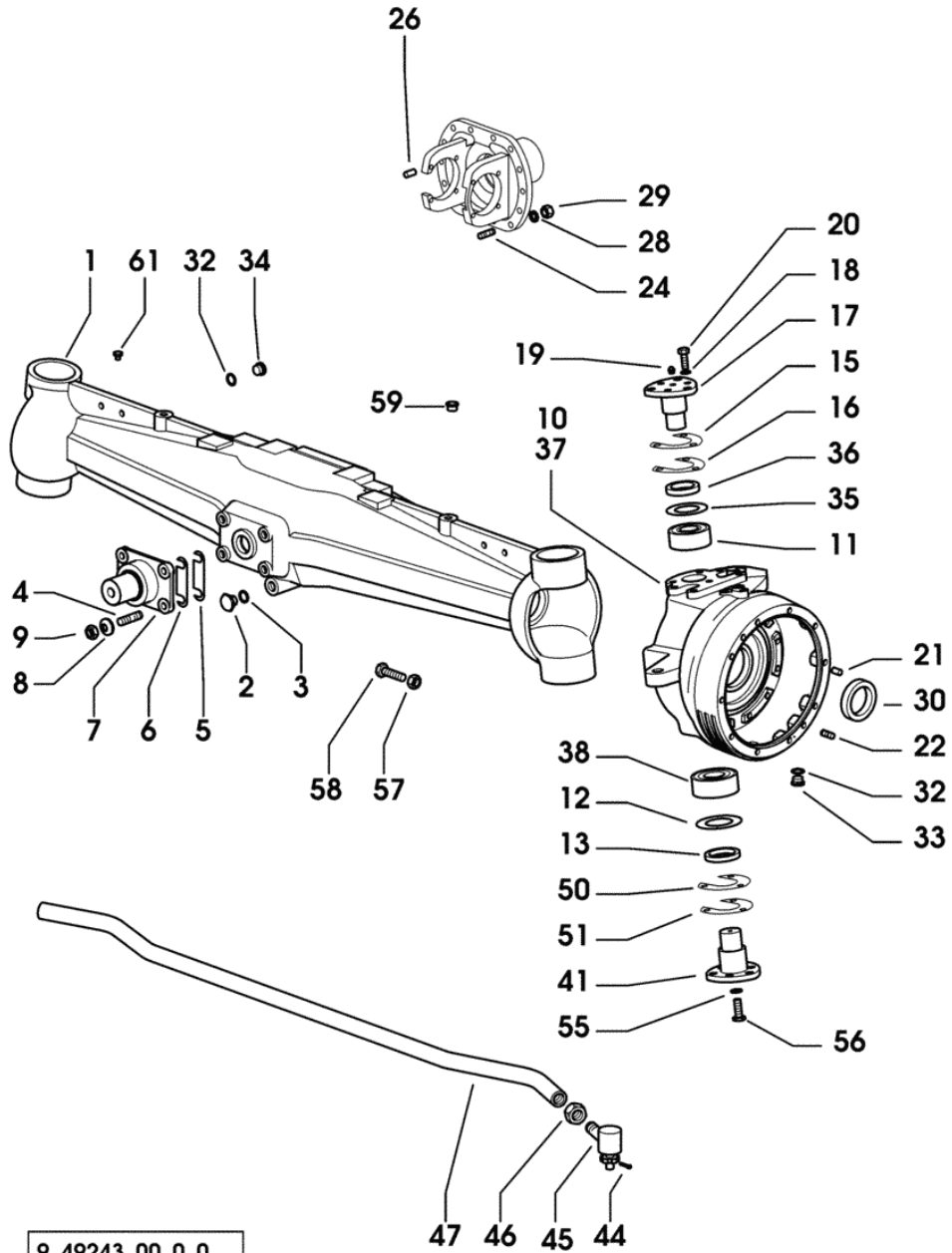
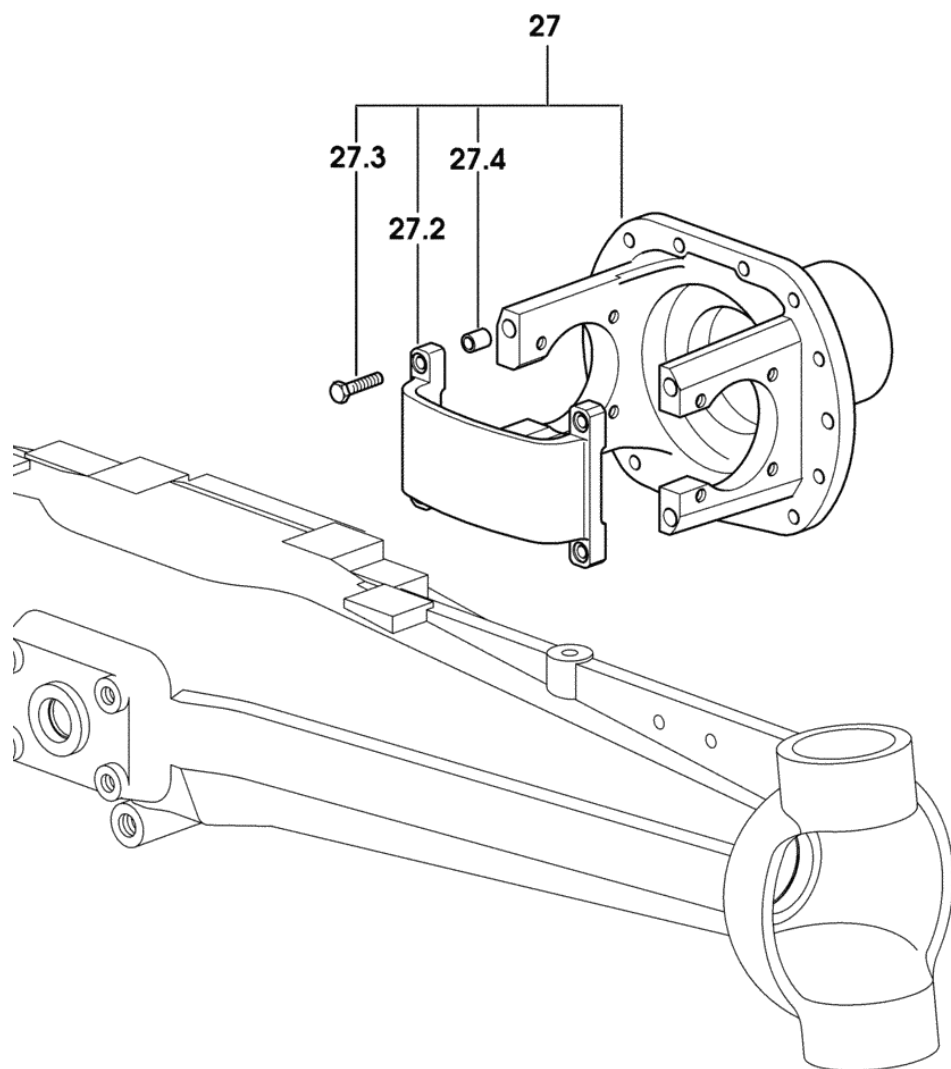


Fig.	Code	QTY	Name
58	2.0119.189.2/10	4	screw m 16 p.2 x 70
59	2.3199.537.0	4	plug Ø 11
61	2.3199.125.0	3	plug 1/8" gas

9\_49243\_00\_0\_0

Section: FRONT AXEL  
4WD - FRONT DRIVE AXLE

Fig.	Code	QTY	Name
27	0.008.5962.3/20	1	flange
27.2	0.008.5956.0	1	bracket
27.3	2.0313.315.7	0	screw m 10 p.1.5 x 45
27.4	2.1699.381.0	0	pin 11x20



Section: FRONT AXEL  
**4WD - POWER STEERING CYLINDER**

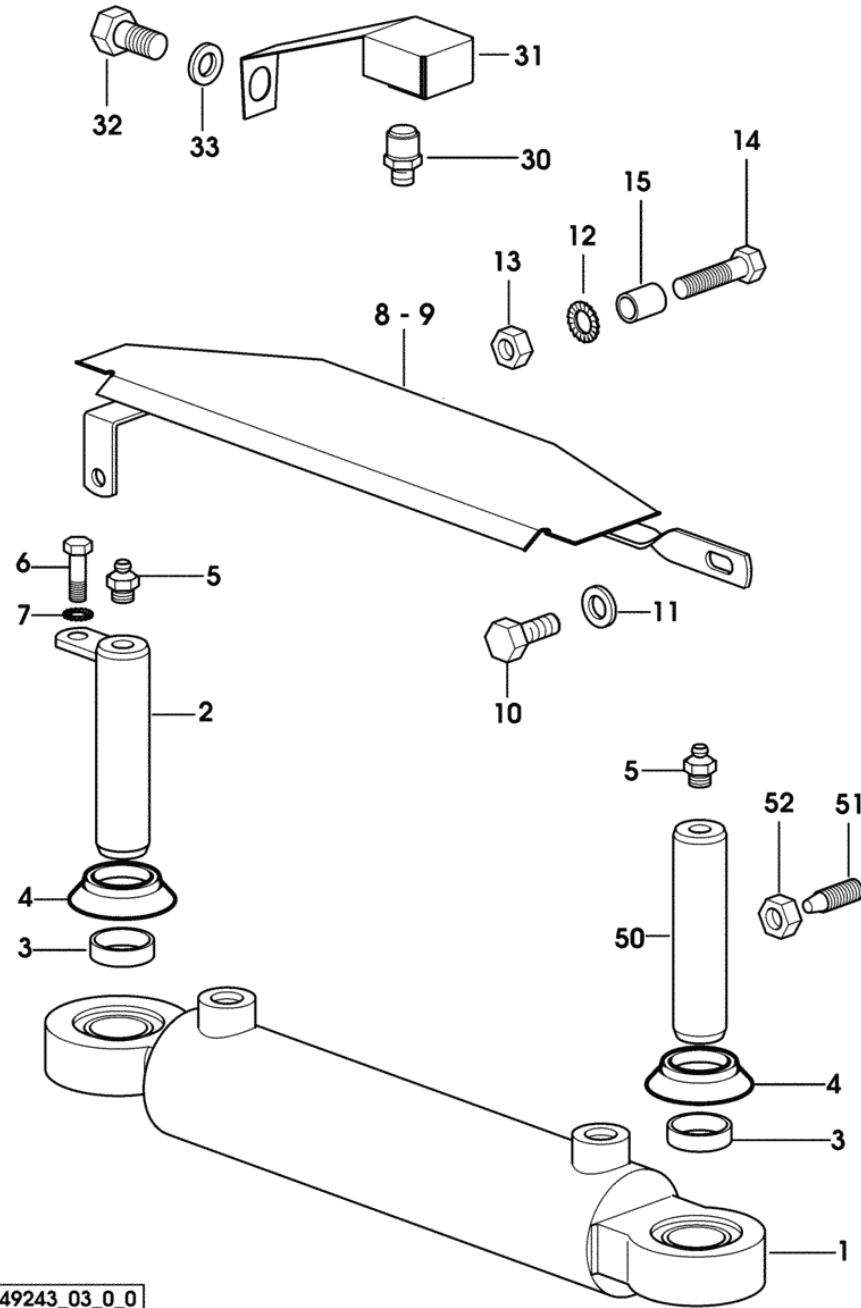


Fig.	Code	QTY	Name
1	0.264.6342.4/20	2	jack 3541 <- X SILVER 160 1545 <- X SILVER 180 COMPONENT PARTS SEE COMPONENTS LIST ☞ 0.264.6342.4/20 ☞ 04.00.12
1	0.010.4070.4	2	cylinder -> 3542 X SILVER 160 -> 1546 X SILVER 180 COMPONENT PARTS SEE COMPONENTS LIST ☞ 0.010.4070.4 ☞ 04.00.13
2	0.270.6350.2/30	2	piston pin 3541 <- X SILVER 160 1545 <- X SILVER 180
2	0.010.4203.2/10	2	pin -> 3542 X SILVER 160 -> 1546 X SILVER 180
3	2.1579.739.0	8	spacer 21x25x10 3541 <- X SILVER 160 1545 <- X SILVER 180
3	2.1549.334.2	8	spacer 26x30x8 -> 3542 X SILVER 160 -> 1546 X SILVER 180
4	0.270.6351.0	8	guard 3541 <- X SILVER 160 1545 <- X SILVER 180
4	0.010.4205.0	8	gasket -> 3542 X SILVER 160 -> 1546 X SILVER 180
5	2.3820.105.2	4	lubricator m 10 p.1 x 7
6	2.0112.207.2	2	screw m 8 p 1.25 x 20
7	2.1470.004.2	2	washer 8
8	0.008.5240.2/20	1	guard dx/rh/re
9	0.008.5239.2/20	1	guard sx/lh/li
10	2.0112.204.2	2	screw m 8 p.1.25x14
11	2.1310.004.2	2	flat washer 8.5
12	2.1470.004.2	2	washer 8
13	2.1011.105.2	2	nut m 8 p.1.25
14	2.0112.217.2	2	screw m 8 p.1.25 x 45
15	2.1549.189.2	2	spacer 12x1.5x16
30	0.135.4363.3/10	3	valve

9\_49243\_03\_0\_0

Section: FRONT AXEL  
**4WD - POWER STEERING CYLINDER**

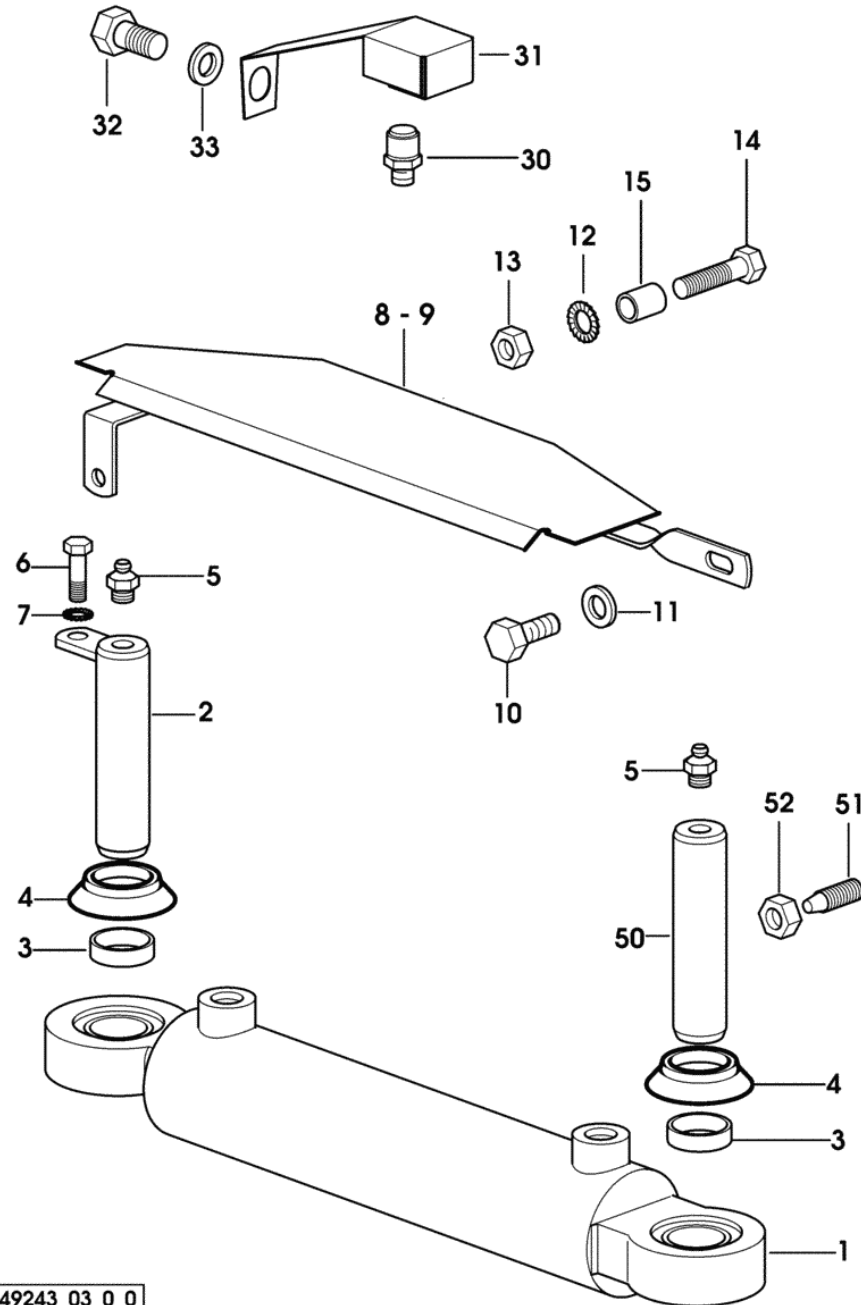
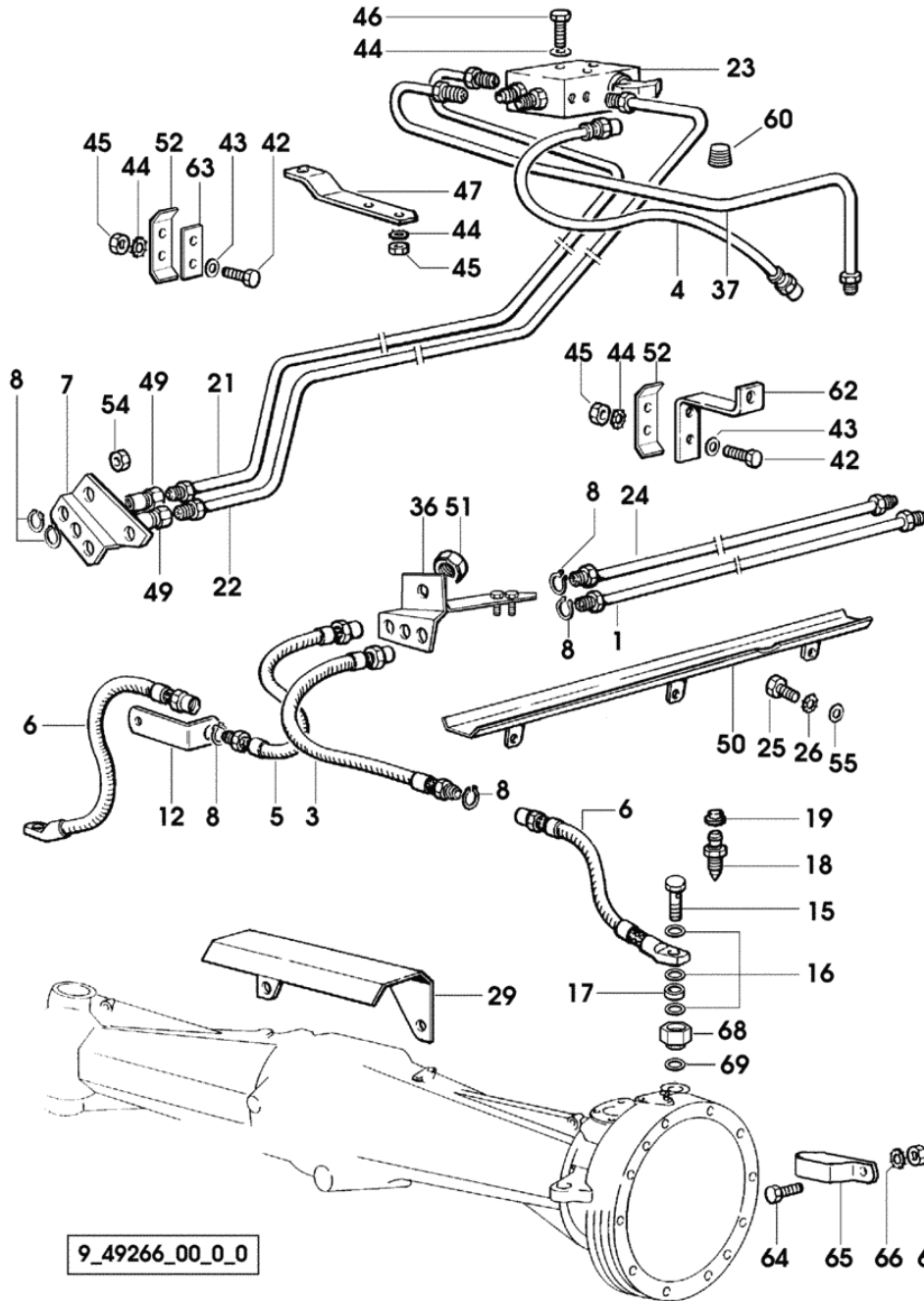


Fig.	Code	QTY	Name
31	0.264.4351.0	2	guard
32	2.0112.405.2	2	screw m 12 p.1.75x16
33	2.1310.007.2	2	flat washer 13.5
50	0.010.4204.0/10	2	pin 3541 <- X SILVER 160 1545 <- X SILVER 180
50	0.010.4202.0/10	2	pin -> 3542 X SILVER 160 -> 1546 X SILVER 180
51	2.0399.050.2	2	screw m 10 p.1 x 30
52	2.1011.406.2	2	nut m 10 p.1

9\_49243\_03\_0\_0

Section: FRONT AXEL  
**4WD - FRONT BRAKING SYSTEM**

Fig.	Code	QTY	Name
1	0.009.3380.3	1	tube sx/lh/li
3	0.009.1819.3/10	1	tube sx/lh/li
4	0.007.2856.3	2	tube
5	0.009.1818.3	1	tube dx/rh/re
6	0.008.0415.3	2	tube
7	0.009.3382.0/10	1	bracket
8	2.1410.004.2	8	circlip 16
12	0.008.1464.0	1	bracket
15	2.3339.361.2/10	2	pipe union m 12 p.1.25 x 28
16	2.1560.008.0	6	gasket 12.2 x 18
17	2.1579.765.2/10	2	spacer 12.5 x 18 x 8.0
18	0.170.5455.0	2	valve
19	2.3199.039.0	2	plug 6.50 x 7.25
21	0.009.3386.3	1	tube dx/rh/re
22	0.009.3385.3	1	tube sx/lh/li
23	0.445.4351.4/30	1	valve
24	0.009.3381.3	1	tube dx/rh/re
25	2.0112.207.2	3	screw m 8 p 1.25 x 20
26	2.1470.004.2	3	washer 8
29	0.009.1827.0/10	1	guard
36	0.009.1828.3	1	bracket dx/rh/re
37	0.009.3391.3	1	tube dx/rh/re
42	2.0112.011.2	6	screw m 6 p.1x30
43	2.1310.002.2	6	washer 6.6, d125
44	2.1470.002.2	10	washer 6, d128
45	2.1011.103.2	10	nut m 6 p.1
46	2.0112.017.2	2	screw m 6 p.1x45
47	0.009.3393.0	1	bracket
49	0.277.4354.0/10	2	pipe fitting
50	0.009.3099.2/30	1	guard
51	2.1011.510.2	1	nut m 18 p.1.5
52	0.009.3100.0	4	small plate
54	2.1011.508.2	2	nut m 14 p.1.5
55	2.1310.004.2	3	flat washer 8.5
60	2.3130.001.1	1	plug 1/8" gas
62	0.009.3384.0	1	bracket
63	0.009.3388.0	2	bracket
64	2.0112.003.2	1	screw m 6 p.1 x 12
65	2.6829.006.2	1	bracket
66	2.1470.002.2	1	washer 6, d128
67	2.1011.103.2	1	nut m 6 p.1
68	2.3249.029.2	1	pipe fitting m 12 p.1,25x26.5
69	2.1560.008.0	1	gasket 12.2 x 18



9\_49266\_00\_0\_0

**PIN**

9\_71243\_02\_0\_0

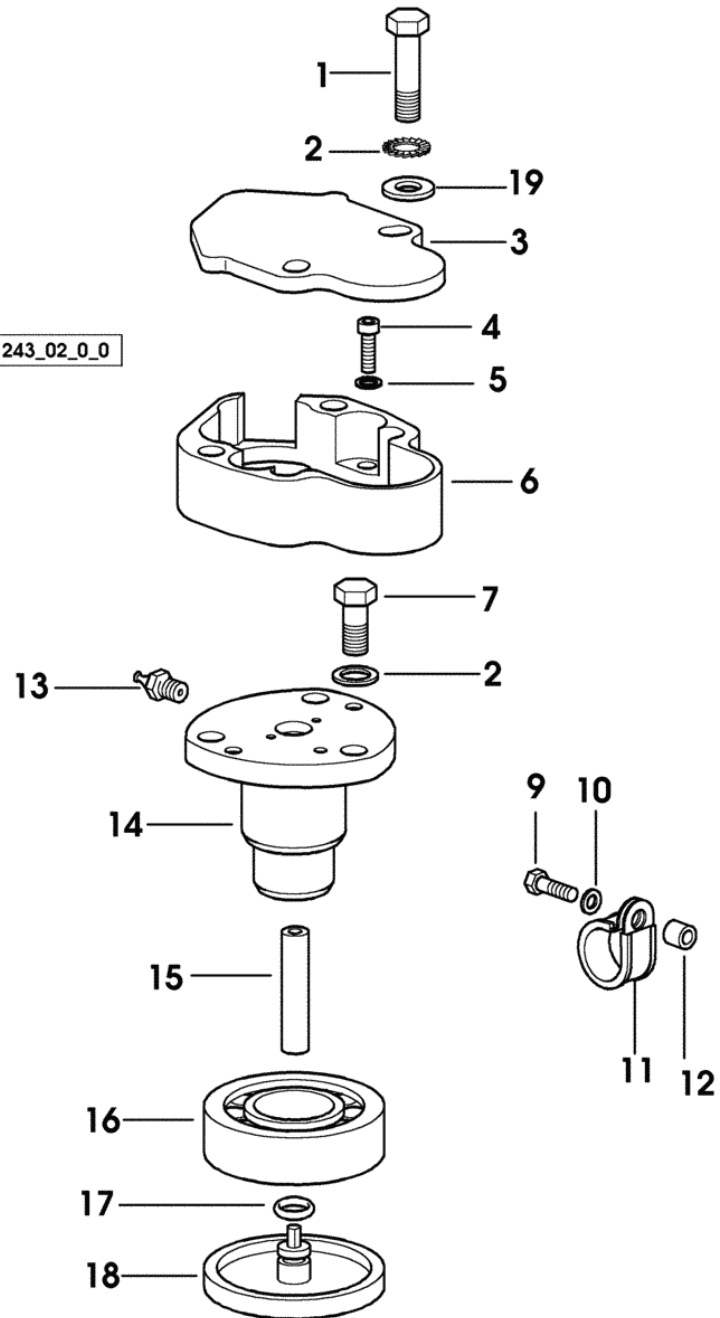
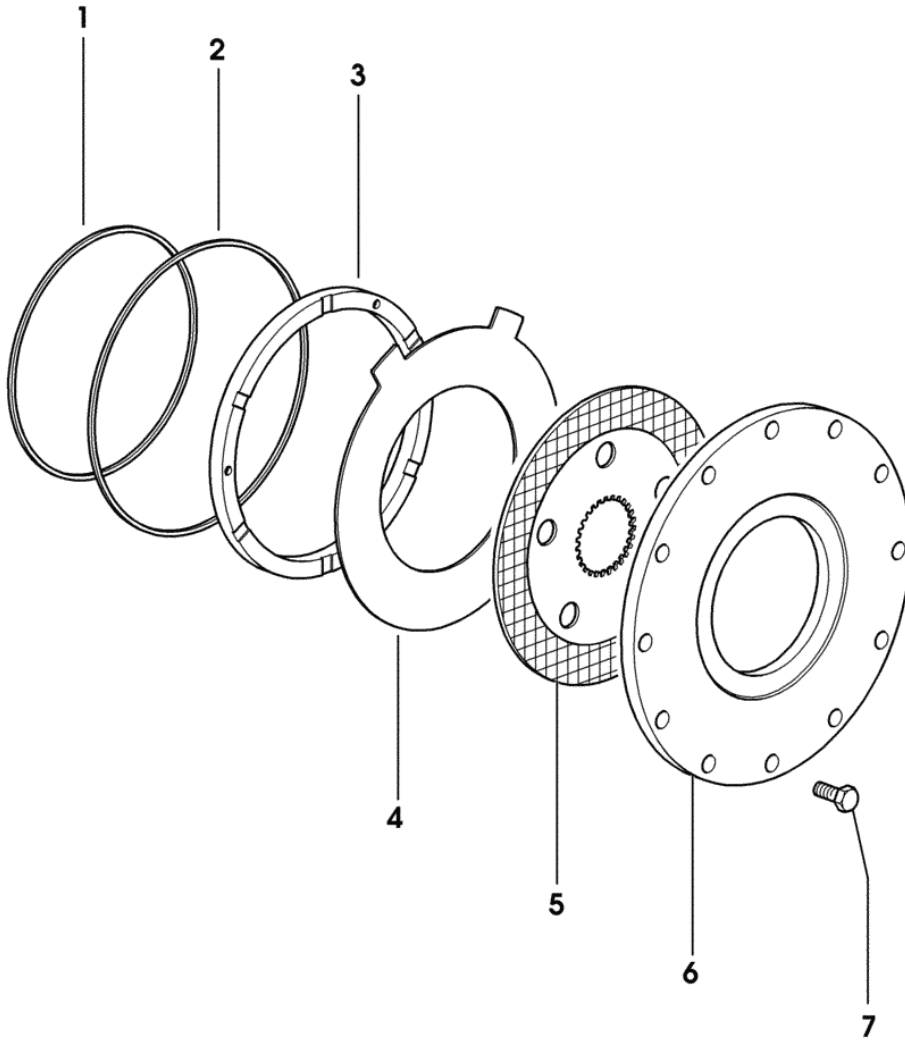


Fig.	Code	QTY	Name
1	2.0112.425.2	2	screw m 12 p.1,75 x 80
2	2.1470.007.2	3	lock washer 12
3	0.010.4628.0/10	1	cover
4	2.0312.206.2	2	screw m 8 p 1.25 x 20
5	2.1470.004.2	2	washer 8
6	0.010.4627.0/10	1	guard
7	2.0112.413.2	1	screw m 12 p.1.75x35
9	2.0112.009.2	1	screw m 6 p.1 x 25
10	2.1470.002.2	1	washer 6, d128
11	2.6839.066.0/10	1	clamp 16
12	2.1549.341.2	1	spacer 6.5x11x11
13	2.3821.102.2	1	lubricator m 8 p.1 x 8
14	0.010.4626.0/20	1	pin
15	0.010.4629.2	1	joint
16	2.2530.010.0	1	roller bearing 40 x 90 x 25.25
17	2.1530.024.0	1	'o' ring 10.78 x 2.62
18	0.010.4630.0/20	1	cap-washer
19	2.1310.007.2	2	flat washer 13.5

Section: FRONT AXEL  
**4WD - FRONT BRAKES**

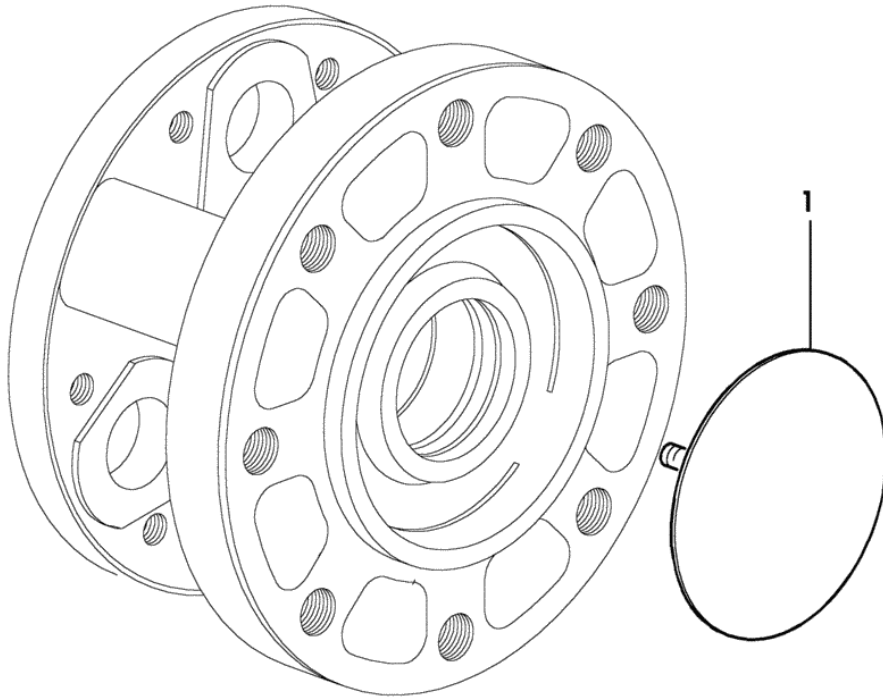
Fig.	Code	QTY	Name
1	0.275.4354.0/20	2	gasket 183.6x190.4x3.4
2	0.275.4353.0/20	2	gasket 215.6x222.4x3.4
3	0.008.4760.0	2	piston
4	0.275.4351.0	4	disc
5	0.154.5459.0/10	4	brake disc
6	0.264.4350.0/20	2	flange
7	2.0139.008.1	24	screw m 12 p.1.25x33



9\_49243\_01\_0\_0

Section: FRONT AXEL  
**FRONT WHEEL HUB COVER**

Fig.	Code	QTY	Name
1	0.012.7080.3/10	2	cover



9\_16446\_10\_0\_0



Section: FRONT AXEL  
**4WD - FRONT DIFFERENTIAL LOCK**

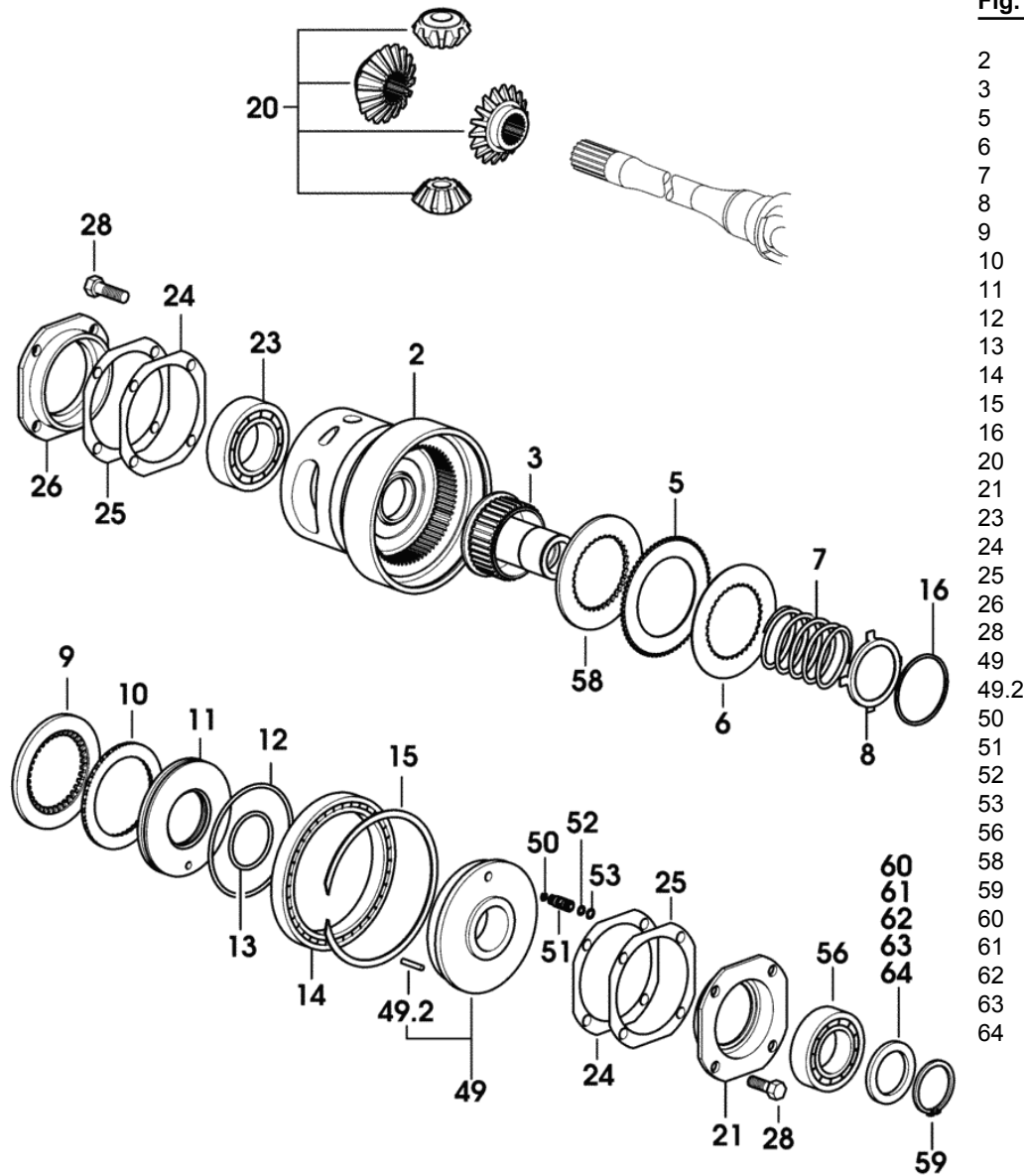


Fig.	Code	QTY	Name
2	0.008.4681.0	1	differential carrier
3	0.008.4899.0/30	1	hub
5	0.005.8249.2	6	disc
6	0.005.8250.0	5	disc
7	0.007.2410.0	1	spring
8	0.008.4683.0	1	disc
9	0.007.2409.0/20	1	disc
10	2.2999.335.0/10	1	bearing
11	0.008.4890.0/40	1	piston
12	0.005.8282.0	1	'o' ring 123.4x3.53
13	0.005.8281.0	1	'o' ring 61.6x2.62
14	0.005.8276.0	1	bearing 140x175x1,8
15	0.005.8277.0	1	snoulder
16	2.1422.044.7	1	circlip 80x2
20	0.008.4281.3	1	crown wheel
21	0.007.2408.0/20	1	flange
23	2.2540.007.0	1	roller bearing 55x100x26.75
24	0.154.4651.0	4	shim mm 0.20
25	0.154.4652.0	4	shim mm 0.50
26	0.005.8269.0/10	1	flange
28	2.0132.207.2	8	screw m 10 p.1 x 25
49	0.008.4891.3/20	1	ring
49.2	2.1699.250.0/20	1	pin 8 x 12
50	0.005.8278.0	1	ring 6.0x1.78
51	0.005.8272.0/10	1	piston pin
52	2.1530.016.0	1	'o' ring 8.73 x 1.78
53	2.1530.021.0	1	'o' ring 9.66x1.78
56	2.2520.011.0	1	roller bearing 50x90x21.75
58	0.008.4900.0	1	disc
59	2.1412.019.7	1	circlip 50x3
60	2.1599.715.0	1	snoulder 50x70x5
61	2.1599.716.0	1	snoulder 50x70x5.5
62	2.1599.717.0	1	snoulder 50x70x6
63	2.1599.718.0	1	snoulder 50x70x6.5
64	2.1599.719.0	1	snoulder 50x70x7

**4WD - FRONT DIFFERENTIAL LOCK**

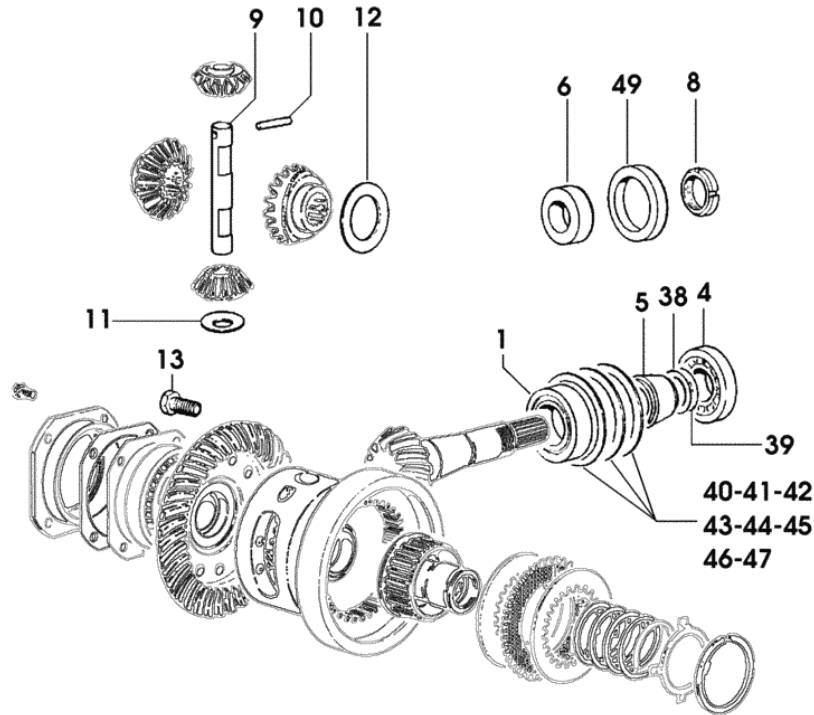
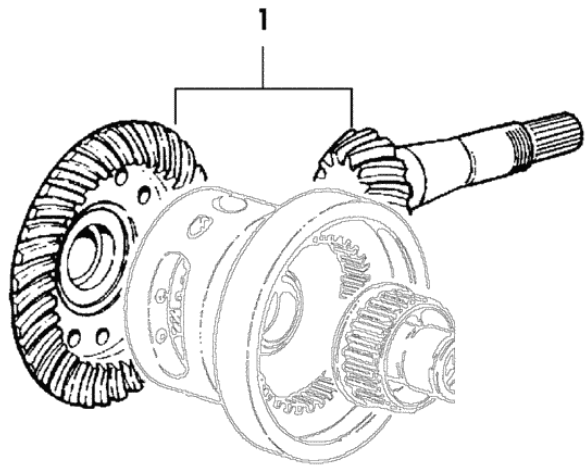


Fig.	Code	QTY	Name
1	2.2560.008.0	1	roller bearing 50x110x29.25
4	2.2560.007.0	1	roller bearing 45x100x27.25
5	0.145.4650.0	1	spacer
6	2.1549.043.0	1	spacer 45x70x19
8	2.1214.010.7	1	ring nut 45 md
9	0.257.4625.0	1	pin
10	2.1631.518.0	1	roll pin 6x45
11	0.154.4655.0	2	snoulder
12	2.1599.417.0	2	snoulder 51x75x2
13	2.0139.008.1	12	screw m 12 p.1.25x33
38	2.1580.107.0	2	shim 45.5x55x0.2
39	2.1580.108.0	2	shim 45.5x55x0.5
40	2.1589.295.0/10	1	snoulder 90x109.5x0.60
41	2.1589.297.0/10	1	snoulder 90x109.5x0.70
42	2.1589.299.0/10	1	snoulder 90x109.5x0.80
43	2.1589.301.0/10	1	snoulder 90x109.5x0.90
44	2.1589.316.0	0	snoulder 90x109.5x1.00
45	2.1589.317.0	0	snoulder 90x109.5x1.05
46	2.1589.318.0	0	snoulder 90x109.5x1.10
47	2.1589.319.0	1	snoulder 90x109.5x0.55
49	2.1529.026.0	0	'o' ring 70x100x13

9\_49246\_00\_0\_A

Section: FRONT AXEL  
**BEVEL WHEEL GEAR**

Fig.	Code	QTY	Name
1	0.011.8661.3	1	bevel gear



9\_48846\_02\_0\_0

Section: FRONT AXEL  
**4WD - FRONT DIFFERENTIAL LOCK**

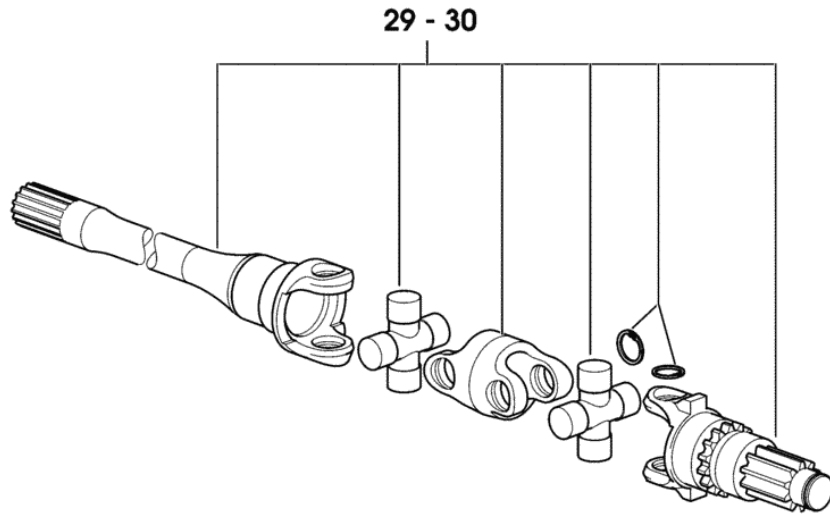


Fig.	Code	QTY	Name
29	0.005.8267.6/20	1	joint sx/lh/li 3541 <- X SILVER 160 1545 <- X SILVER 180 COMPONENT PARTS SEE COMPONENTS LIST ☞ 04.00.14
29	0.010.4296.4	1	joint sx/lh/li -> 3542 X SILVER 160 -> 1546 X SILVER 180 COMPONENT PARTS SEE COMPONENTS LIST ☞ 0.010.4296.4 ☞ 04.00.15
30	0.000.0000.1	0	not serviceable 3541 <- X SILVER 160 1545 <- X SILVER 180 COMPONENT PARTS SEE COMPONENTS LIST ☞ 04.00.16
30	0.010.4295.4	1	joint dx/rh/re -> 3542 X SILVER 160 -> 1546 X SILVER 180 COMPONENT PARTS SEE COMPONENTS LIST ☞ 0.010.4295.4 ☞ 04.00.17

9\_48846\_00\_0\_B

Section: FRONT AXEL  
**4WD - FRONT DIFFERENTIAL LOCK**

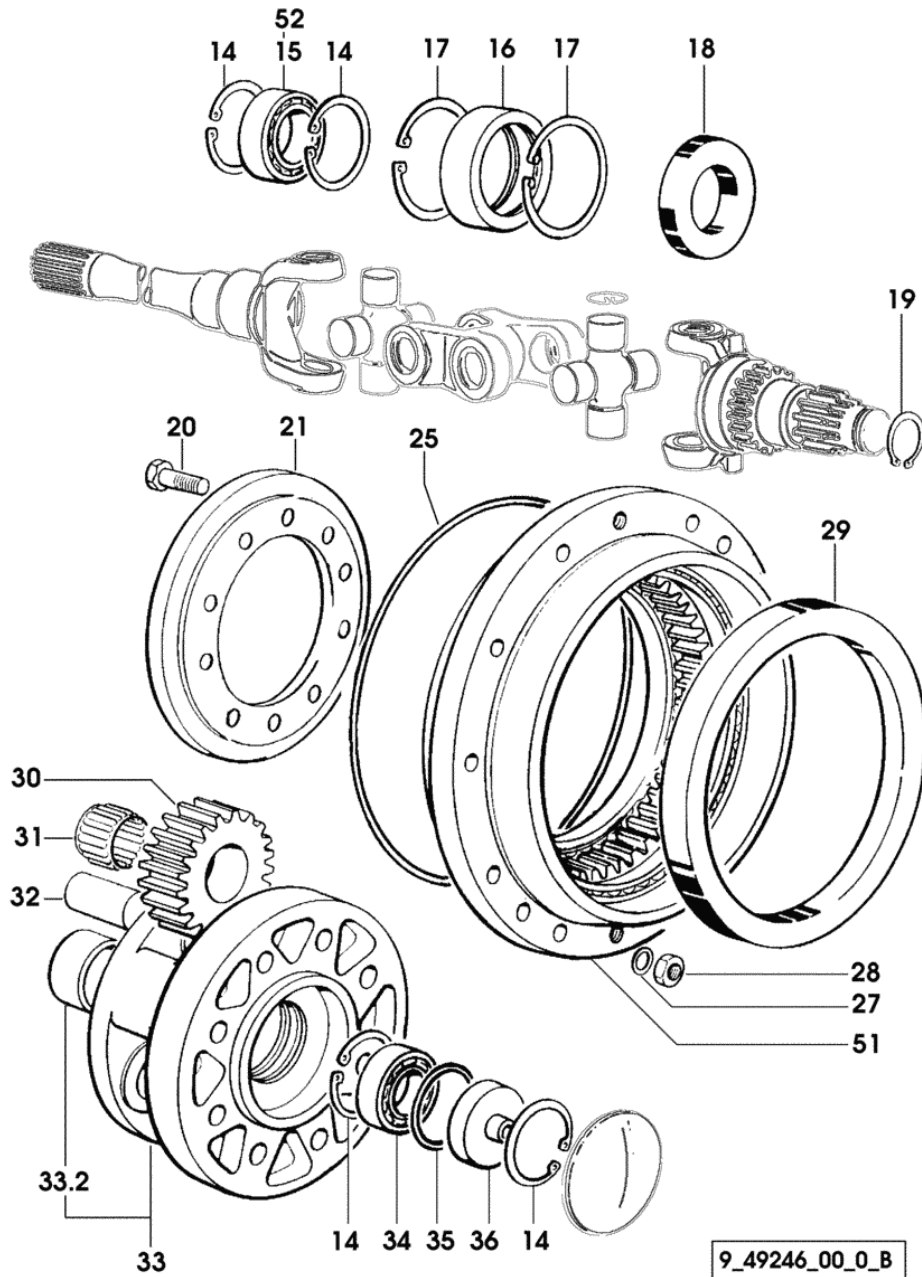


Fig.	Code	QTY	Name
14	2.1411.025.1	8	circlip 62
15	2.2999.164.0	2	bearing 38x62x25 3541 <- X SILVER 160 1545 <- X SILVER 180
15	2.2999.415.0	2	bearing 43.8 x 62 x 17 -> 3507 X SILVER 160 -> 1510 X SILVER 180
16	0.264.4654.0	2	bushing
17	2.1411.032.1	4	circlip 80 x 2.5
18	2.1529.077.0	2	'o' ring 45x80x16
19	2.1419.002.1	2	circlip 35
20	2.0129.049.1	18	screw m 12 p.1.25 x 20
21	0.264.4651.0/20	2	flange
25	2.1539.038.0	2	'o' ring 291.64x3.53
27	2.1475.004.2	20	washer 12
28	2.1011.422.2	20	nut m 12 p.1.25
29	2.1529.140.0	2	'o' ring 240x270x21.5
30	0.264.4644.0/10	6	planet gear z=27
31	2.2999.129.0	6	roller cage
32	0.264.4643.0	6	pin
33	0.264.4642.3/30	2	spider
33.2	2.1559.197.0	1	bushing 54x60x25
34	2.2030.008.0	2	ball bearing 35x62x14
35	2.1530.151.0	2	'o' ring 61.91x3.53
36	0.264.4650.0	2	spacer
51	0.011.0653.3	1	crown wheel
52	2.2999.325.0	1	bearing 43.8x62x18 -> 3507 X SILVER 160 -> 1510 X SILVER 180

9\_49246\_00\_0\_B

Section: FRONT AXEL  
4WD-P.T.O.

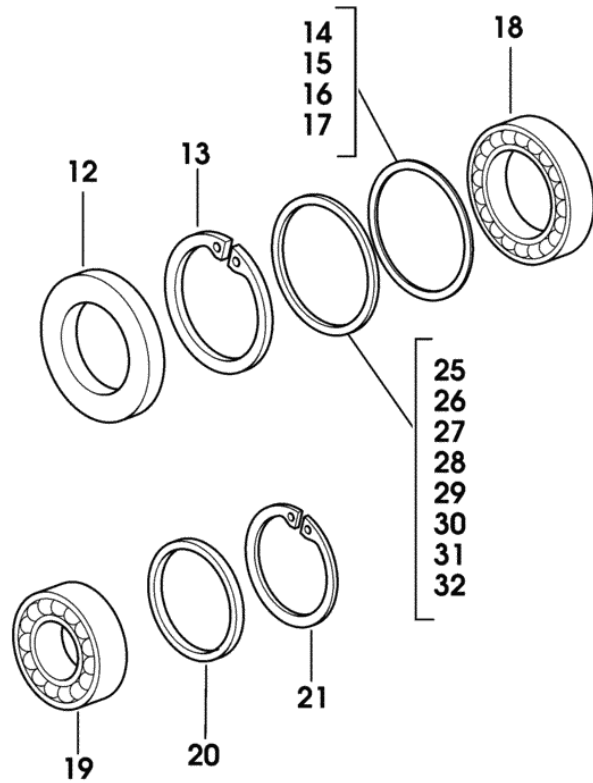
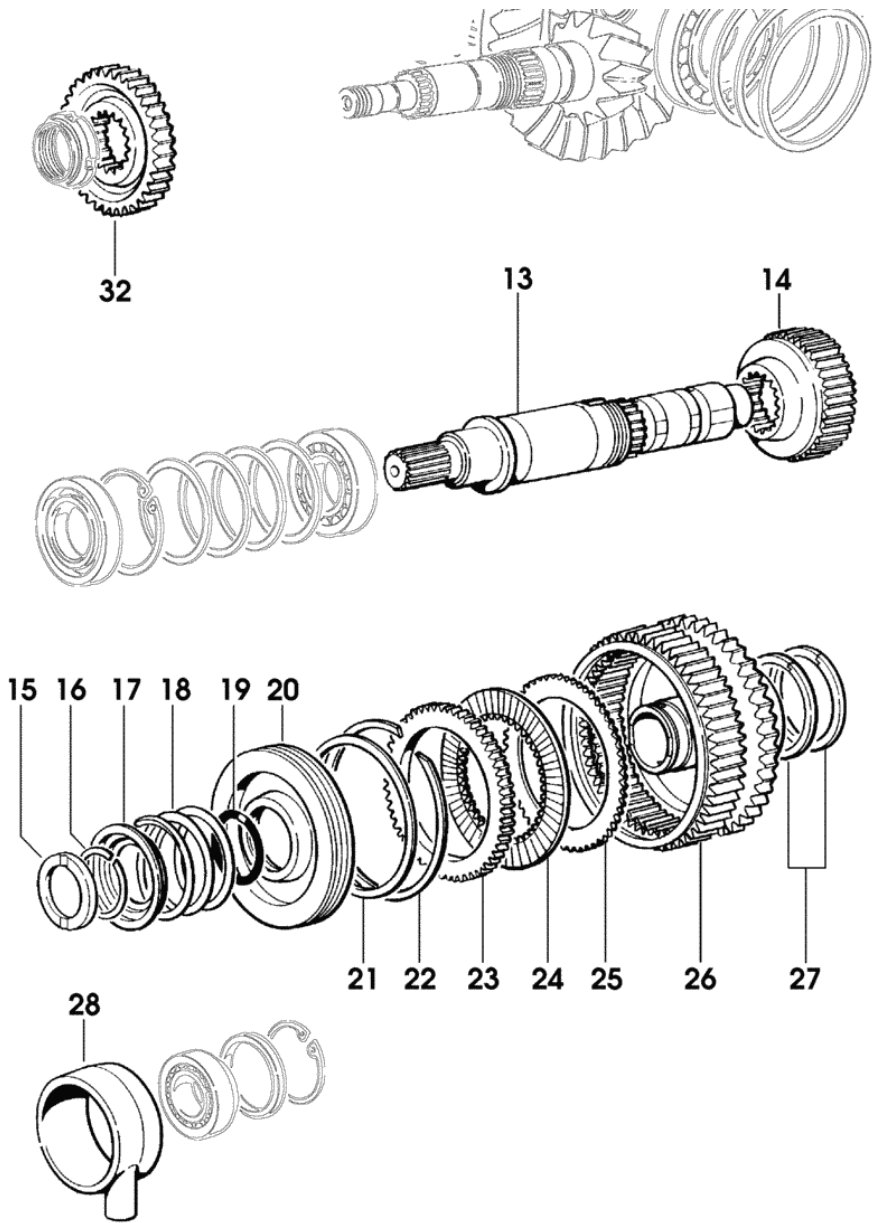


Fig.	Code	QTY	Name
12	2.1529.093.0	1	'o' ring 45x85x14
13	2.1411.034.1	1	circlip 85
14	2.1589.215.0/10	0	shim
15	2.1589.408.0	1	shim 73x84.5x0.6
16	2.1589.409.0	1	shim 73x84.5x0.7
17	2.1589.410.0	1	shim 73x84.5x0.8
18	2.2541.005.0	1	roller bearing
19	2.2541.003.0	1	roller bearing
20	2.1549.118.0	1	cover 62x71.5x6
21	2.1411.029.1	1	circlip 72
25	2.1589.411.0	1	shim 73x84.5x0.9
26	2.1589.412.0	0	shim 73x84.5x1.5
27	2.1589.413.0	0	shim 73x84.5x1.55
28	2.1589.414.0	0	shim 73x84.5x2.05
29	2.1589.415.0	0	shim 73x84.5x2.50
30	2.1589.416.0	0	shim 73 x 84.5x2.55
31	2.1589.417.0	0	shim 73x84.5x3.00
32	2.1589.418.0	0	shim 73x84.5x3.05

9\_49238\_00\_0\_B

Section: FRONT AXEL  
4WD-P.T.O.

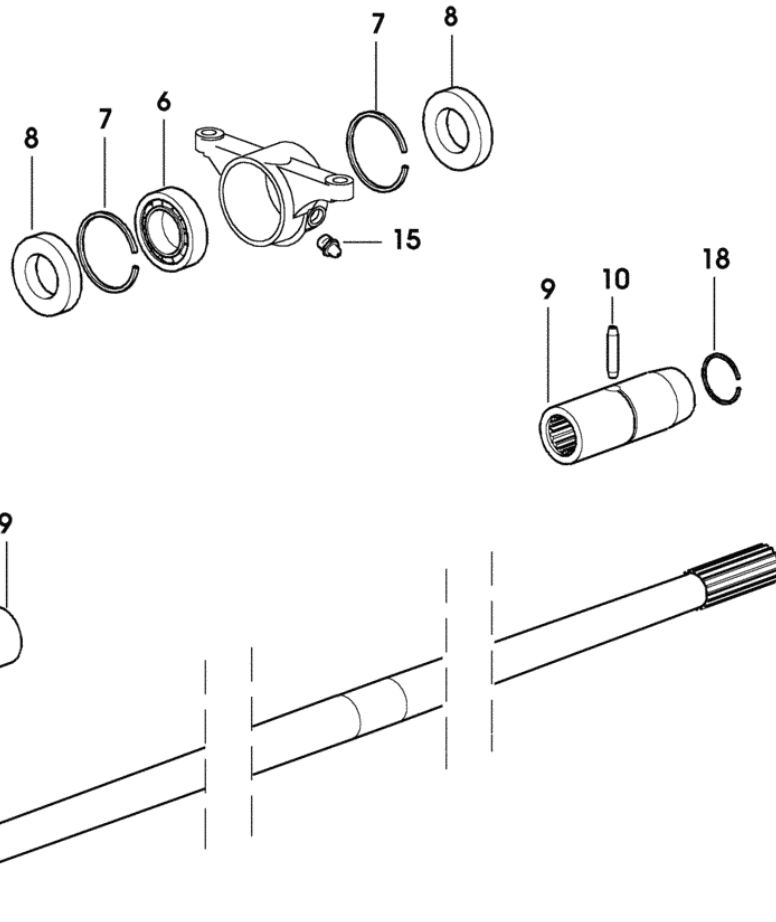
Fig.	Code	QTY	Name
13	0.007.7535.0/50	1	shaft
14	0.007.7536.0/10	1	hub
15	2.1599.605.0/10	1	snoulder 46x65x6
16	2.1429.027.0	1	ring
17	0.163.3657.0/10	1	disc
18	2.4019.156.1/10	1	spring
19	2.1539.149.0	1	'o' ring
20	0.011.2950.0	1	piston
21	2.1532.243.0	1	'o' ring
22	2.1429.018.0	1	circlip 156
23	0.007.7570.0/10	1	spacer
24	0.163.3654.0	6	disc
25	0.163.3655.0	6	disc
26	0.012.8433.0	1	clutch housing
27	2.1499.111.0	2	ring 82
28	0.011.5294.0	1	manifold
32	0.007.7515.0/20	1	gear



9\_49238\_03\_0\_B

**4WD - TRANSMISSION SHAFT - FOR TYPES WITHOUT SUSPENSION**

Fig.	Code	QTY	Name
1	0.007.7600.0/20	1	transmission shaft
6	2.2030.008.0	1	ball bearing 35x62x14
7	2.1421.022.7	2	circlip
8	2.1520.217.0	2	oil seal 35x62x12
9	0.148.2614.0/20	2	sleeve
10	2.1650.717.0	2	pin 8 x 40
15	2.3821.103.2	1	lubricator m 10 p.1
18	2.1499.152.7	2	circlip 41 x 1.8

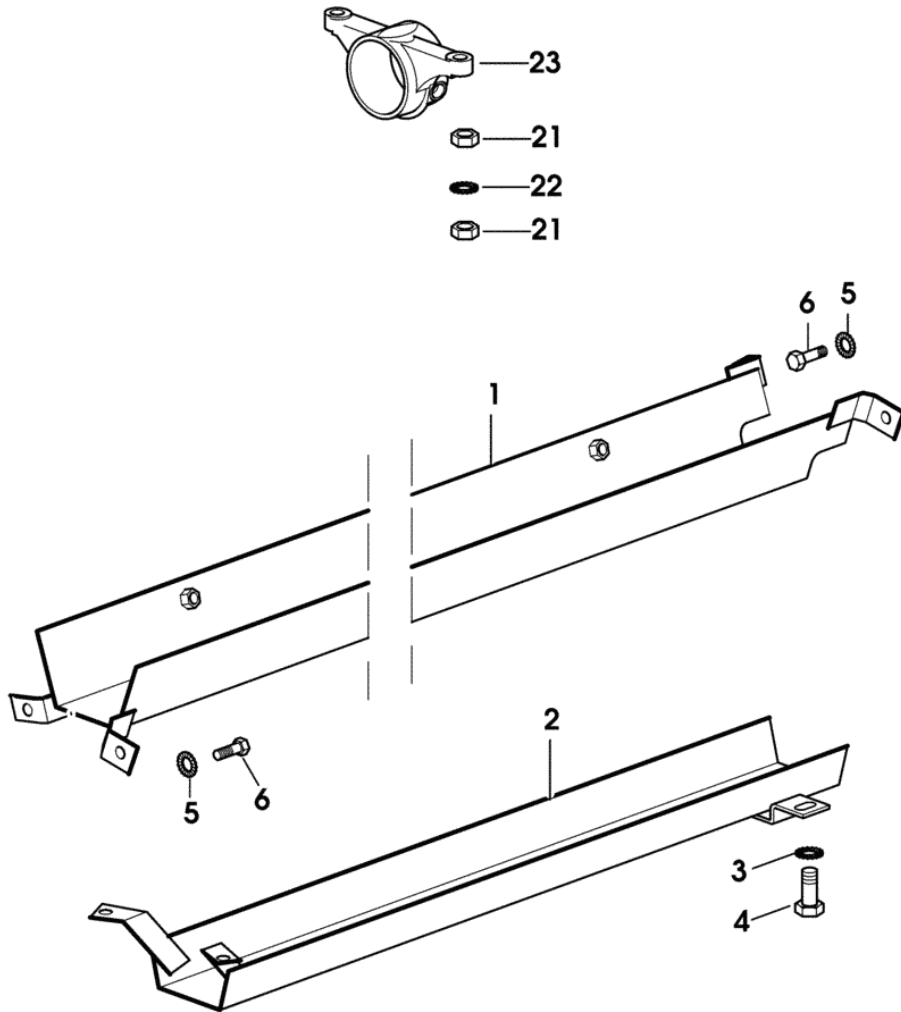


9\_49226\_00\_0\_0



Section: FRONT AXEL  
**DRIVE SHAFT**

Fig.	Code	QTY	Name
1	0.008.5536.3/20	1	shield
2	0.008.5537.2/10	1	guard
3	2.1470.006.2	2	lock washer 10
4	2.0112.307.2	2	screw m 10 p.1.5 x 20
5	2.1470.004.2	4	washer 8
6	2.0112.204.2	4	screw m 8 p.1.25x14
21	2.1011.421.2	4	nut m 10 p.1.25
22	2.1470.006.2	2	lock washer 10
23	0.008.0250.0	1	support



9\_49226\_01\_0\_0

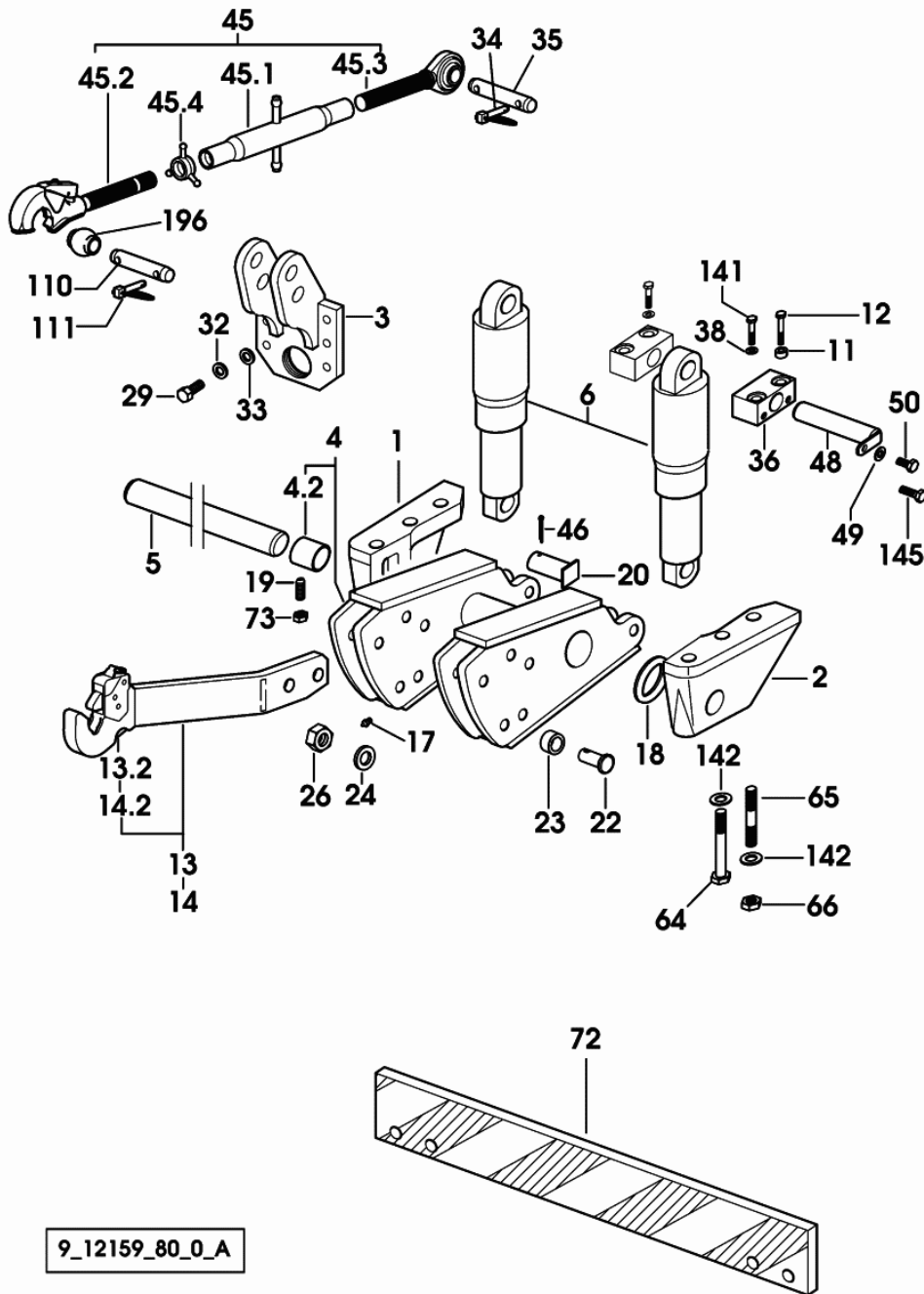
**SILVER 160**

**FRONT HYDRAULIC POWER-LIFT**

**GENERAL**

FRONT HYDRAULIC POWER-LIFT.....	0C.00.1
FRONT HYDRAULIC POWER-LIFT.....	0C.00.2
FRONT HYDRAULIC POWER-LIFT.....	0C.00.3

Section: FRONT HYDRAULIC POWER-LIFT  
**FRONT HYDRAULIC POWER-LIFT**



9\_12159\_80\_0\_A

Fig.	Code	QTY	Name
1	0.010.9767.0	1	support
2	0.010.9766.0	1	support
3	0.009.3428.2	1	small plate
4	0.010.9808.3/10	1	support
4.2	2.1559.077.0	2	bushing 40 x 46 x 60
5	0.009.0646.0/10	1	pin
6	0.010.9806.4	2	cylinder
			COMPONENT PARTS SEE COMPONENTS LIST
			☞ 0.010.9806.4
			☞ 0C.00.57
11	2.1579.205.2	1	spacer 17x22x14
12	2.0112.529.2	1	screw m 14 p.2x100
13	0.010.9813.3	1	right hand arm dx/rh/re
13.2	0.010.1702.3	1	automatic hook 2 cat.- WALTERSCHEID
			COMPONENT PARTS SEE COMPONENTS LIST
			☞ 0.010.1702.3
			☞ 0C.00.58
14	0.010.9812.3	1	left hand arm sx/lh/li
14.2	0.010.1702.3	1	automatic hook 2 cat.- WALTERSCHEID
			COMPONENT PARTS SEE COMPONENTS LIST
			☞ 0.010.1702.3
			☞ 0C.00.58
17	2.3820.105.2	1	lubricator m 10 p.1 x 7
18	2.1599.010.0	2	snoulder 41 x 63 x 4.0
19	2.0599.079.2	1	screw m 12x1.25x50
20	0.010.9793.0	2	pin
22	2.1679.094.2	2	pin
23	2.1579.913.2	2	spacer 20.5x32x15
24	2.1310.013.2	2	flat washer 21x37
26	2.1120.211.6	2	nut m 20 p.1.5
29	2.0112.515.2	6	screw m 14 p.2 x 40
32	2.1470.008.2	6	lock washer 14
33	2.1310.009.2	6	flat washer 14
34	0.010.9322.4	2	pin Ø 11
35	2.1669.024.2	1	pin 25.4 x 133
36	0.009.0165.0/40	4	support
38	2.1311.009.2	8	flat washer 14
45	0.011.9685.4	1	3 point hitch
45.1	0.011.9685.3	1	sleeve
45.2	0.011.9667.3	1	automatic hook

Section: FRONT HYDRAULIC POWER-LIFT  
**FRONT HYDRAULIC POWER-LIFT**

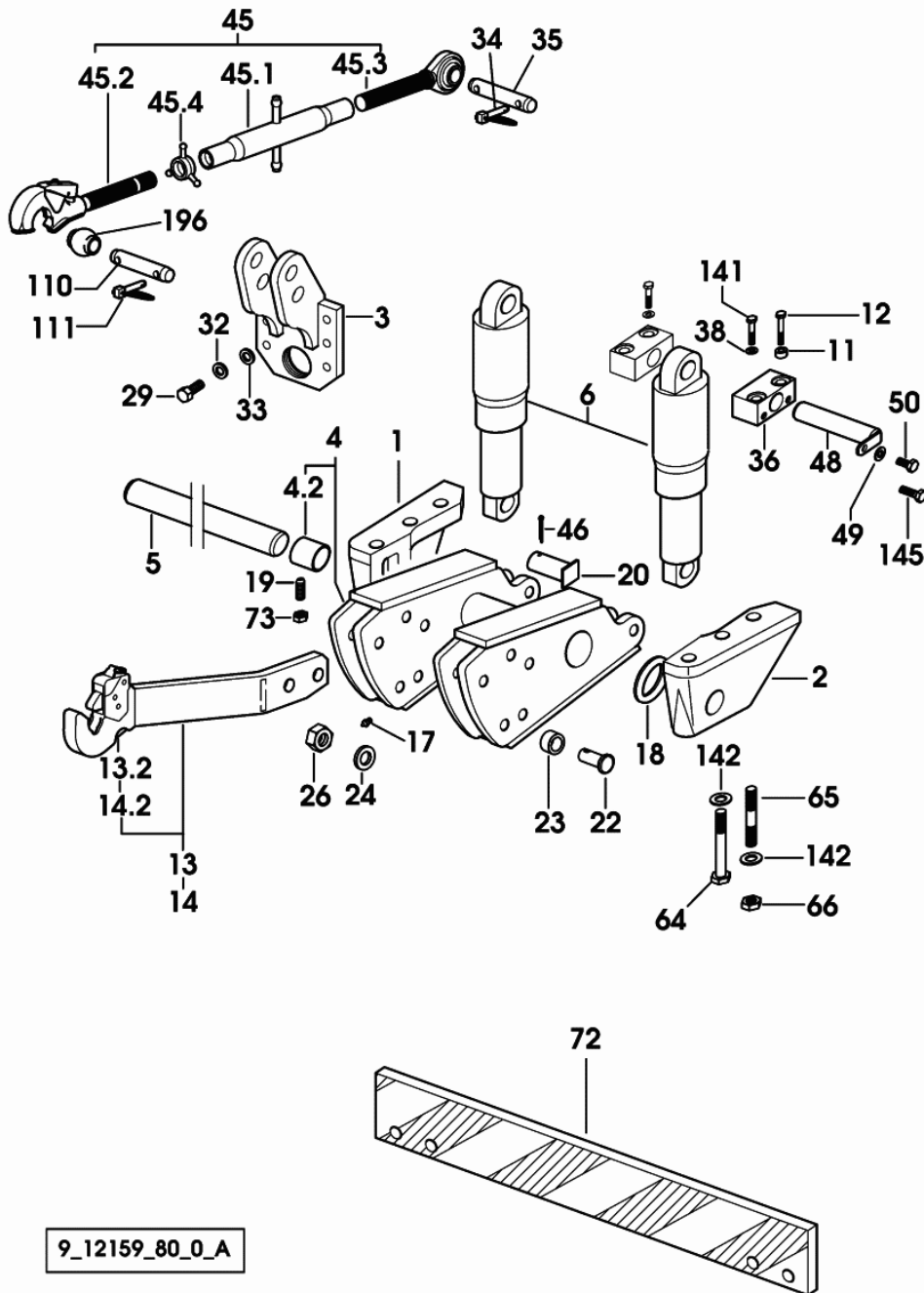


Fig.	Code	QTY	Name
			COMPONENT PARTS SEE COMPONENTS LIST
			☞ 0.011.9667.3
			☞ 0C.00.59
45.3	0.96057.15.3	1	rod sx/lh/li
45.4	0.001.5059.0	1	nut
46	2.1690.514.2	2	split pin 5 x 40
48	0.009.0166.2/20	2	pin
49	2.1470.006.2	2	lock washer 10
50	2.0112.303.2	2	screw m 10 p.1.5x12
64	2.0112.846.2	4	screw m 20x200
65	2.0432.615.7	2	stud bolt m 20 p.2.5-1.5x50
66	2.1011.411.2	2	nut m 20 p.1.5
72	0.007.3629.3/10	1	rod
73	2.1011.422.2	1	nut m 12 p.1.25
110	2.1669.024.2	1	pin 25.4 x 133
111	0.010.9322.4	2	pin Ø 11
141	2.0112.525.2	7	screw m 14 p.2x80
142	2.1475.108.2	6	spring washer 20
145	2.0112.305.2	1	screw m 10 p.1.5 x 16
196	0.96001.17.0	1	cap Ø 50

9\_12159\_80\_0\_A

Section: FRONT HYDRAULIC POWER-LIFT  
**FRONT HYDRAULIC POWER-LIFT**

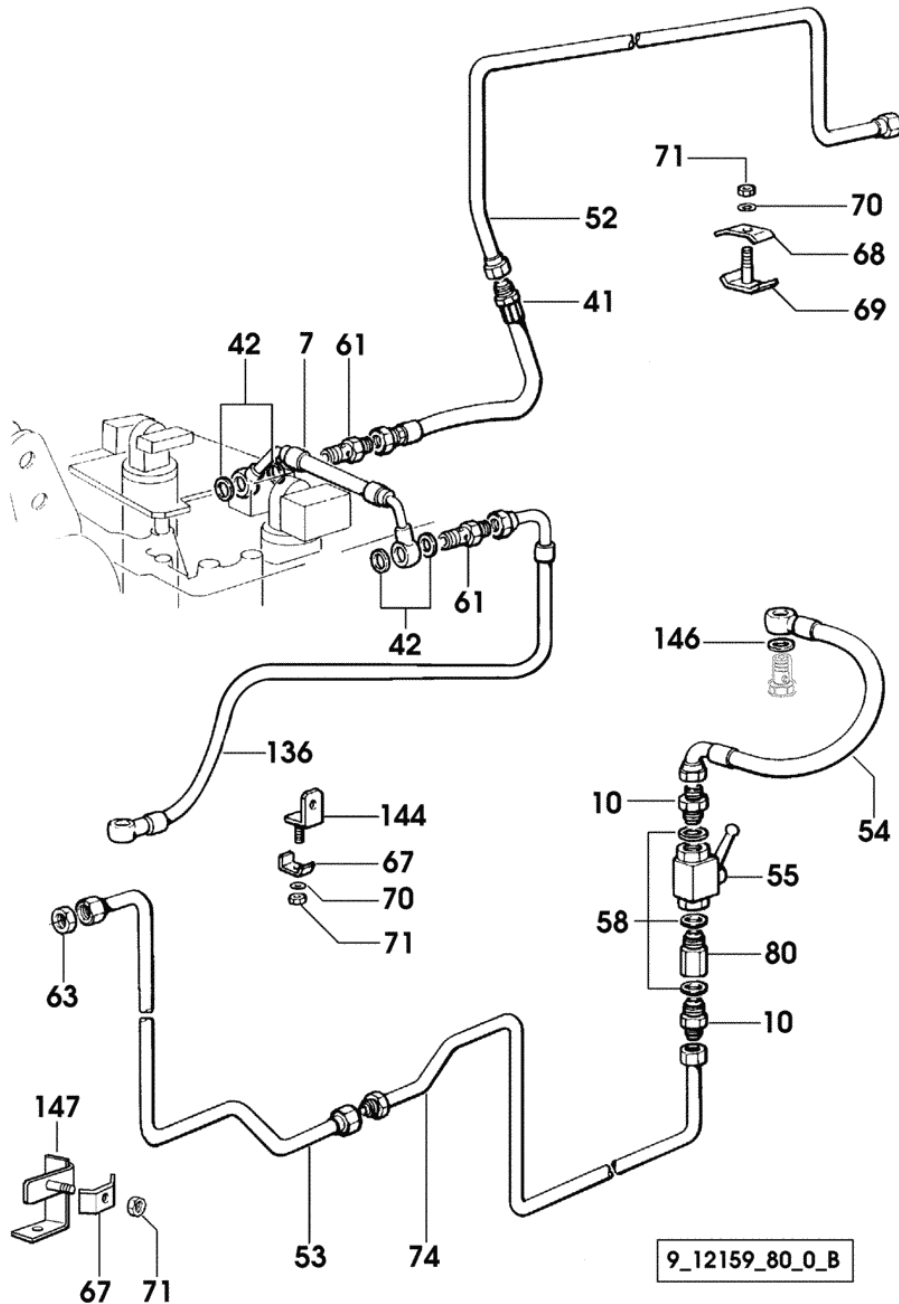


Fig.	Code	QTY	Name
7	0.009.1812.3/20	1	tube
10	2.3261.112.2	2	pipe fitting 3/8 gas-3/4"
41	0.009.1811.3/30	1	tube
42	2.1560.014.0	5	gasket 18.2 x 24 x 1.5
52	0.009.2054.3/10	1	tube
53	0.009.1813.3/10	1	tube
54	0.011.3934.3	1	tube
55	0.009.0375.4/10	1	valve
58	2.1560.053.0	3	gasket 17 x 21
61	0.009.0853.0	2	pipe fitting 3/4 m 18 p.1.5
63	2.1019.099.2	1	nut 3/4" - 16JICMX8
67	0.176.6359.0	3	clamp
68	0.154.6377.0	2	terminal
69	0.154.6377.3	2	terminal
70	2.1310.002.2	3	washer 6.6, d125
71	2.1011.103.2	4	nut m 6 p.1
74	0.009.1585.3/30	1	tube
80	0.009.3152.3/10	1	valve
136	0.011.0946.3/10	1	tube
144	0.009.1836.2	1	bracket
146	2.1569.172.0	1	gasket 29x22.2x5
147	0.009.3105.2	1	bracket

Section: FRONT HYDRAULIC POWER-LIFT  
**FRONT HYDRAULIC POWER-LIFT**

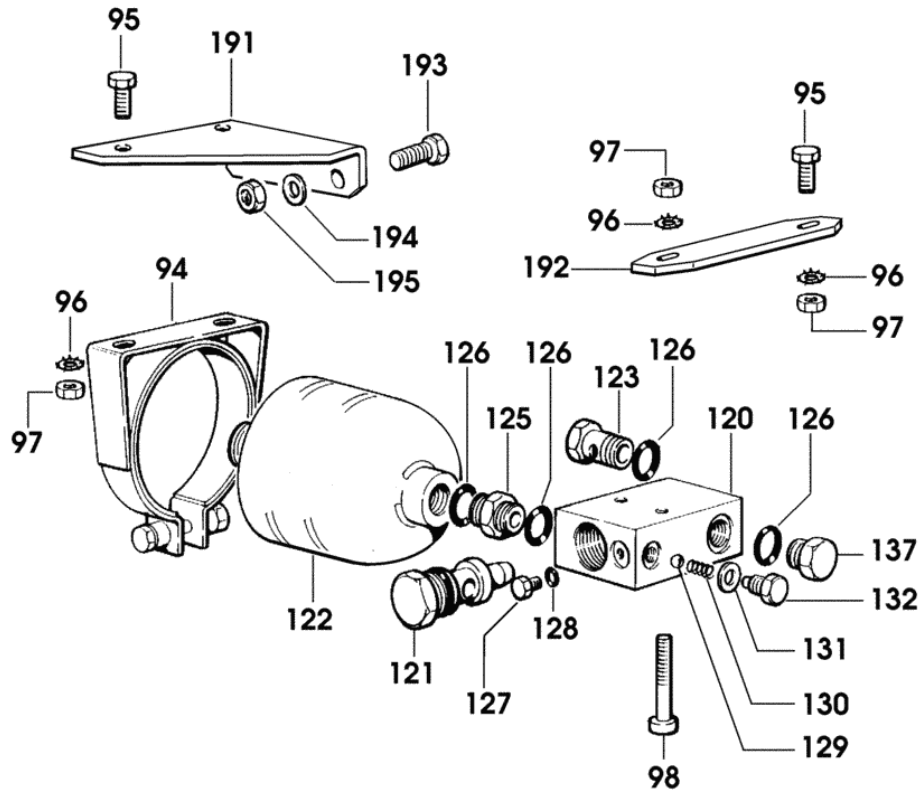


Fig.	Code	QTY	Name
94	0.010.0702.4	1	clamp
95	2.0112.207.2	3	screw m 8 p 1.25 x 20
96	2.1470.004.2	4	washer 8
97	2.1011.105.2	4	nut m 8 p.1.25
98	2.0112.221.2	1	screw m 8 p.1.25 x 60
120	0.009.2022.0/30	1	valve body
121	0.009.2038.4/10	1	valve
			COMPONENT PARTS SEE COMPONENTS LIST
			☞ 0.009.2038.4/10
			☞ 0C.00.60
122	0.010.0427.0/10	1	accumulator
123	2.3335.008.2	1	pipe union m 18 p.1.5 x 32
125	2.3313.007.1	1	pipe fitting m 18 p.1.5-3/4 jic
126	2.1560.014.0	4	gasket 18.2 x 24 x 1.5
127	2.3110.427.1	1	plug m 6 p.1 x 10
128	2.1560.002.0	1	gasket 6.12x12
129	2.2810.003.0	1	ball mm 7.144
130	2.4019.378.1	1	spring 7.1x15x0.4
131	2.1560.006.0	1	gasket 10.2 x 16
132	2.3199.151.2	1	plug m10x1.5x13
137	2.3110.405.1	1	plug m 18 p.1.5 x 15
191	0.011.4529.0	1	support
192	0.011.4530.0	1	bracket
193	2.0112.407.2	2	screw m 12 p.1.75 x 20
194	2.1474.011.2	2	spring washer 12
195	2.1011.107.2	1	nut m 12 p.1.75

9\_12159\_80\_0\_C

# SILVER 160

## GEAR

### GENERAL

CLUTCH CONTROL.....	02.00.1
CLUTCH CONTROL.....	02.00.2
P.T.O. CLUTCH AND SHAFT.....	02.00.3
GEARBOX FRONT.....	02.00.4
REAR GEARBOX CASE.....	02.00.5
REAR GEARBOX CASE.....	02.00.7
REAR GEARBOX BRACKETS.....	02.00.8
STANDARD GEARBOX.....	02.00.9
STANDARD GEARBOX.....	02.00.10
STANDARD GEARBOX.....	02.00.11
MAIN SHAFT.....	02.00.12
MAIN SHAFT AND REVERSING GEAR UNIT.....	02.00.13
MAIN SHAFT.....	02.00.14
MAIN SHAFT AND REVERSING GEAR UNIT.....	02.00.15
TRANSMISSION SHAFT.....	02.00.16
TRANSMISSION SHAFT.....	02.00.17
TRANSMISSION SHAFT.....	02.00.18
TRANSMISSION SHAFT.....	02.00.19
MANIFOLD PLATE.....	02.00.24
CLUTCH CONTROL VALVES.....	02.00.25
CLUTCH CONTROL VALVES.....	02.00.26
CONNECTING PIPING.....	02.00.27
MANIFOLD.....	02.00.28
REVERSING GEAR UNIT CONTROL.....	02.00.29
REVERSING GEAR UNIT CONTROL.....	02.00.30
GEARSHIFT AND REVERSING GEAR UNIT CONTROL.....	02.00.32
LOW AND HIGH SPEED RANGE CONTROL.....	02.00.33
LOW AND HIGH SPEED RANGE CONTROL.....	02.00.35
SPEED DATA PLATES.....	02.00.36
SPEED RANGE REDUCTION GEAR UNIT.....	02.00.39
SPEED RANGE REDUCTION GEAR SHAFT.....	02.00.40
SUPER REDUCTION GEAR UNIT.....	02.00.41
CREEPER - CONTROLS.....	02.00.42
DIFFERENTIAL.....	02.00.44
DIFFERENTIAL.....	02.00.45
DIFFERENTIAL.....	02.00.46
BEVEL WHEEL GEAR.....	02.00.47

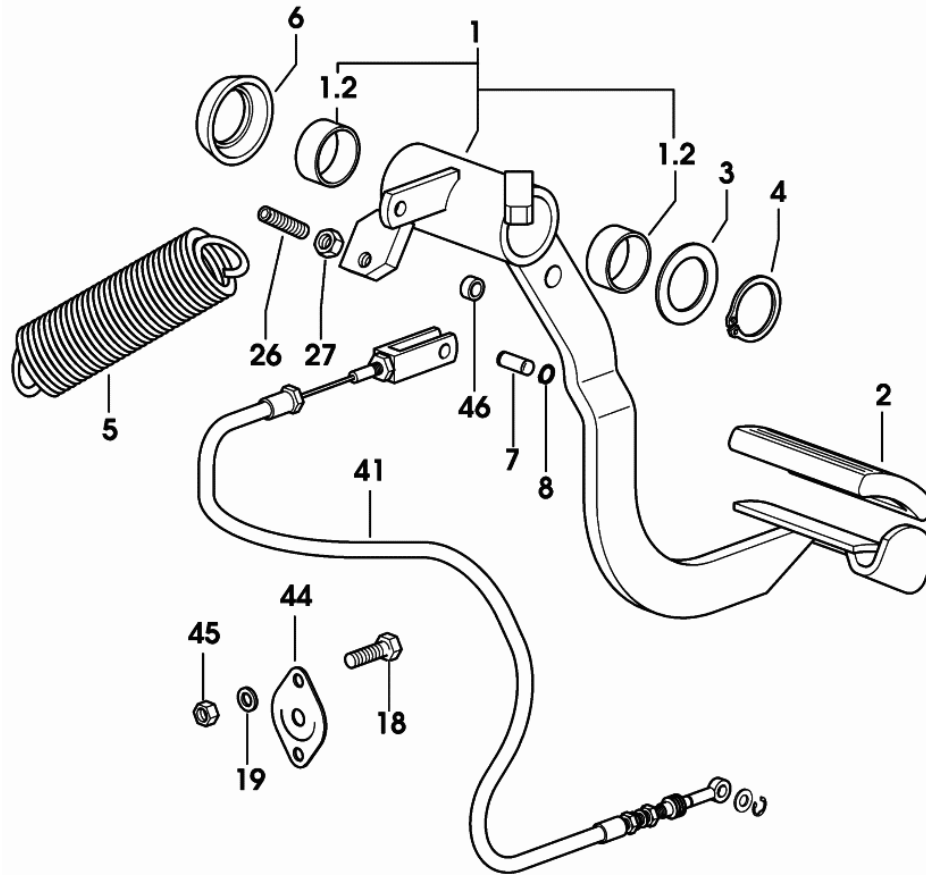
Section: GEAR  
CLUTCH CONTROL

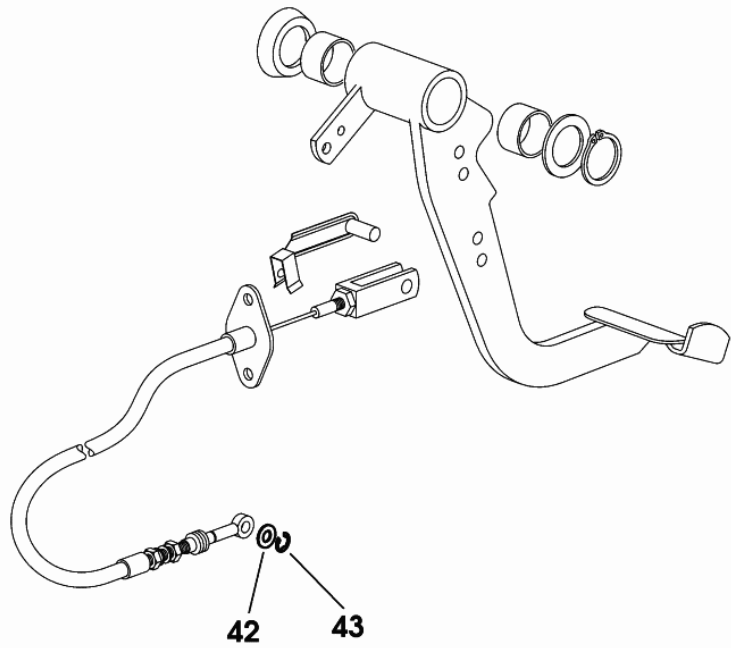
Fig.	Code	QTY	Name
1	0.009.2751.3	1	pedal
1.2	2.1559.117.0/20	2	bushing 30x34x20
2	0.169.6557.0	1	cover
3	2.1599.268.0	1	snoulder 30.2x45x2
4	2.1410.012.1	1	circlip 30
5	2.4049.185.2	1	spring 42x32.4x97x4.8
6	2.1599.546.0	1	washer 30.5
7	2.1699.346.2	1	pin
8	2.1410.001.1	2	circlip 10
18	2.0112.207.2	2	screw m 8 p 1.25 x 20
19	2.1310.004.2	2	flat washer 8.5
26	2.0512.214.7	1	grain m 8 p.1.25 x 35
27	2.1011.205.2	1	nut m 8 p.1.25
41	0.009.2781.4	1	rod
44	0.009.2752.0	1	small plate
45	2.1011.103.2	2	nut m 6 p.1
46	2.1555.005.0	1	bushing 10x12x10

9\_49265\_01\_0\_0



Section: GEAR  
**CLUTCH CONTROL**

Fig.	Code	QTY	Name
42	2.1311.006.2	1	flat washer 8
43	2.1430.008.7	1	circlip 7



9\_49265\_02\_0\_0

Section: GEAR  
**P.T.O. CLUTCH AND SHAFT**

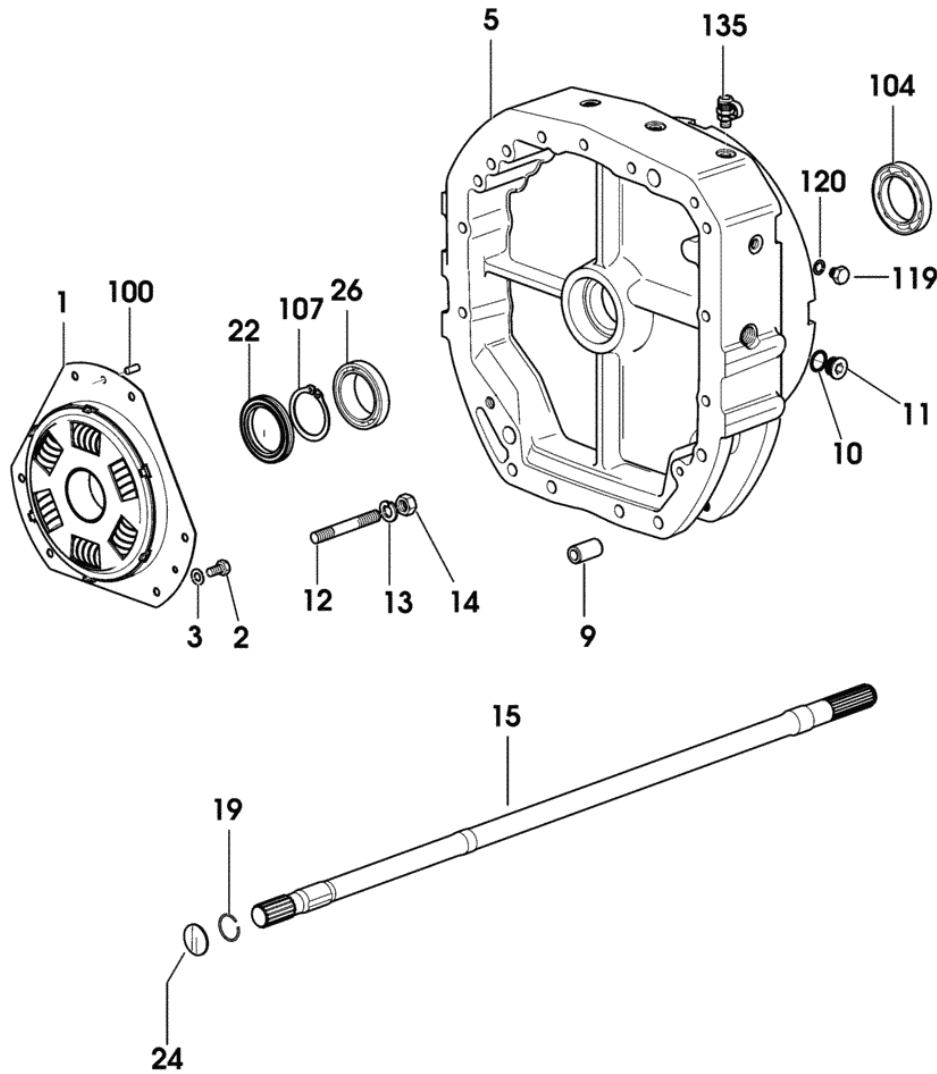


Fig.	Code	QTY	Name
1	0.008.5394.3/20	1	dumper
2	2.0112.307.2	6	screw m 10 p.1.5 x 20
3	2.1475.003.7	6	washer 10.5
5	0.008.5310.0/50	1	plate
9	2.1699.444.0	2	pin 22x40
10	2.1560.017.0	1	gasket 22.2 x 27
11	2.3120.002.4	1	plug m 22 x 1.5
12	2.0433.313.7	4	stud bolt m 14 p.1.5x45
13	2.1475.005.7	4	washer 14
14	2.1012.408.7	4	nut m 14 p.1.5
15	0.008.5261.0/30	1	shaft
19	2.1421.011.1	1	circlip b 28
22	2.1519.116.0/10	1	'o' ring 85
24	2.3170.013.1	1	expansion plug 32
26	2.2999.272.0	1	bearing 60x85x13
100	2.1651.708.0	3	cylindrical plug
104	2.2999.273.0	1	bearing 60x90x13
107	2.1410.024.1	1	circlip Ø 60 mm
119	2.3110.402.1	1	plug m 12 p.1.5x10
120	2.1560.008.0	1	gasket 12.2 x 18
135	0.009.2923.4	1	socket

9\_48827\_00\_0\_A

Section: GEAR  
**GEARBOX FRONT**

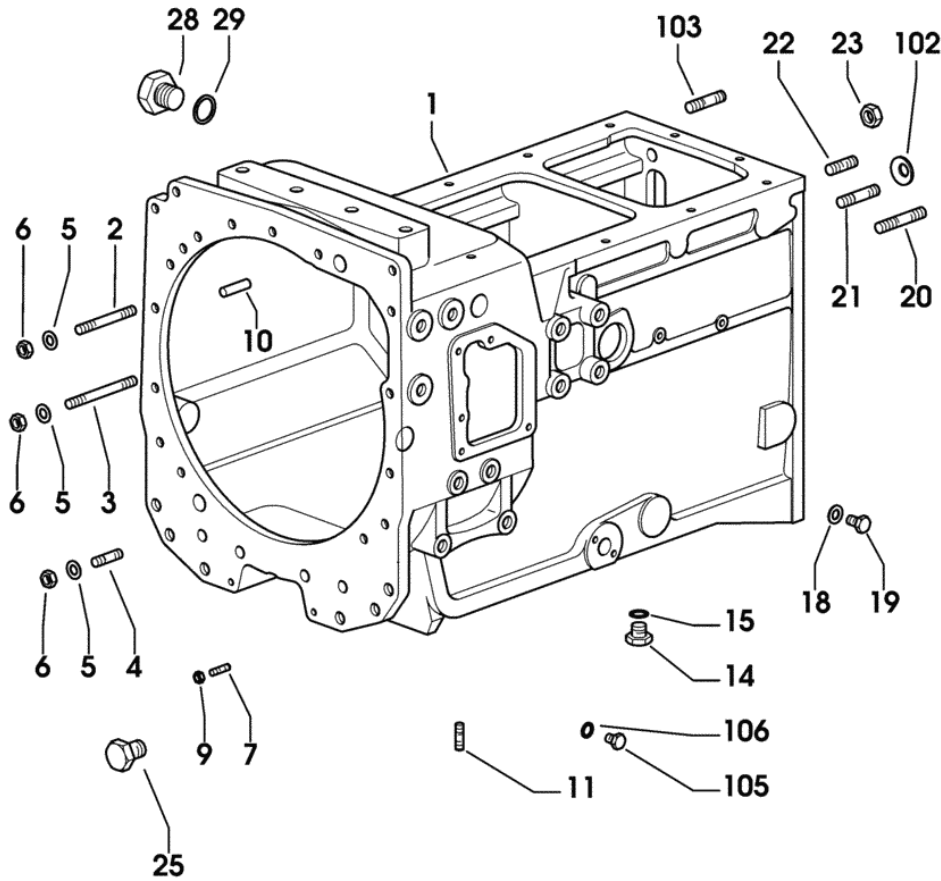


Fig.	Code	QTY	Name
1	0.008.5418.0/60	1	gear box
2	2.0433.282.7	7	stud bolt m 12 p.1,25 x 170 / m 12 p.1,75 x 18
3	2.0433.285.7	6	stud bolt m 12 p.1,25 x 200 / m 12 p.1,75 x 18
4	2.0433.263.7	4	stud bolt m 12 p.1.75-1.25x45
5	2.1475.004.7	17	washer 13 x 24
6	2.1012.422.7	17	nut m 12
7	2.0432.007.2	8	stud bolt m 8 p.1.25 / p.1 x 30
8	2.1011.405.2	8	nut m 8 p.1
9	2.1699.444.0	2	pin 22x40
10	2.0432.159.7	2	stud bolt m 10 p.1.5 / p.1.25 x 35
11	2.3110.405.1	5	plug m 18 p.1.5 x 15
14	2.1560.014.0	5	gasket 18.2 x 24 x 1.5
15	2.1475.004.7	1	washer 13 x 24
18	2.0112.407.2	1	screw m 12 p.1.75 x 20
19	2.0433.421.7	1	stud bolt m 14 p.2-1.5x80
20	2.0433.418.7	2	stud bolt m 14 p.2-1.5x65
21	2.0433.413.7	10	stud bolt m 14 p.2-1.5x45
22	2.1012.309.7	14	nut m 16 p.1.5
23	2.3199.250.0	1	plug m 30 p.1
25	2.3110.425.2	1	plug m 30
28	2.1560.024.0	1	gasket 30.3x38
29	2.1475.006.2	14	washer 16
102	2.0433.417.7	1	stud bolt m 16 p.2.00 - 1.50 x 60
103	2.3110.403.1	1	plug m 14 p.1.5
105	2.1560.010.0	1	gasket 14.2 x 20 x 1.5
106			

9\_11331\_02\_0\_0

Section: GEAR  
**REAR GEARBOX CASE**

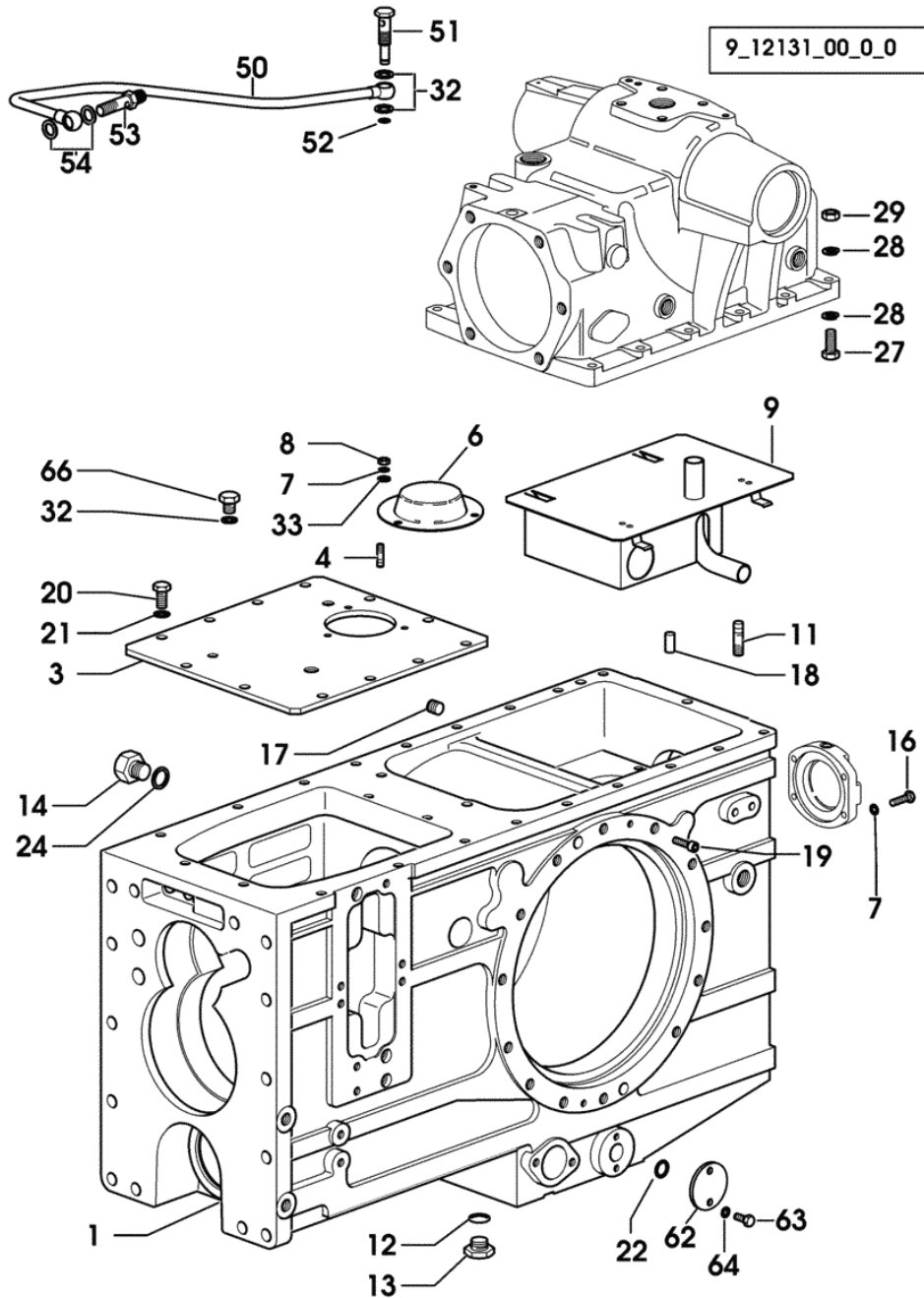
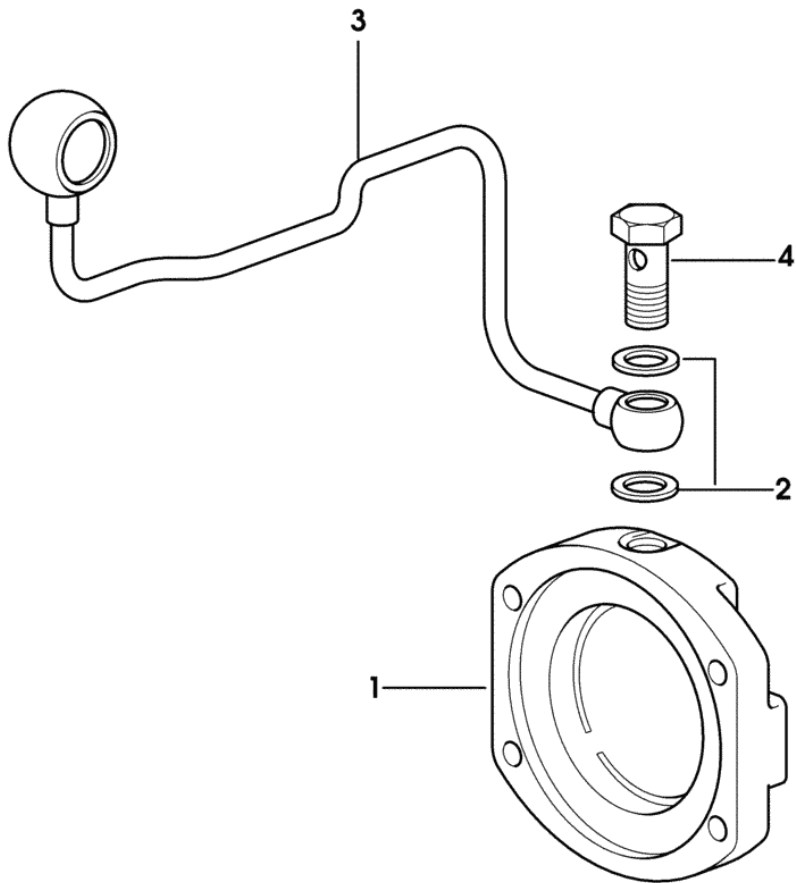


Fig.	Code	QTY	Name
1	0.008.0170.0/60	1	gear box
3	0.011.4042.0/10	1	cover
4	2.0439.232.7	3	stud bolt m8x1x16
6	0.011.9656.0	1	cover
7	2.1470.004.2	7	washer 8
8	2.1011.405.2	3	nut m 8 p.1
9	0.011.6464.3/30	1	duct
11	2.0432.263.7	13	stud bolt m 12 p.1.75-1.25x45
12	2.1560.017.0	1	gasket 22.2 x 27
13	2.3199.001.2	1	plug 1/2" gas
14	2.3120.002.4	1	plug m 22 x 1.5
16	2.0112.211.2	4	screw m 8 p.1.25 x 30
17	2.3171.006.4	1	plug Ø 16
18	2.1651.911.0	2	cylindrical plug 12 x 24
19	2.0312.208.2	4	screw m 8 p.1.25 x 25
20	2.0112.409.2	12	screw m 12 p.1.75 x 25
21	2.1470.007.2	12	lock washer 12
22	2.1530.054.0	1	'o' ring 20.63x2.62
24	2.1560.018.0	1	gasket 22.2 x 29
27	2.0112.411.2	1	screw m 12 p.1.75 x 30
28	2.1470.007.2	14	lock washer 12
29	2.1011.422.2	13	nut m 12 p.1.25
32	2.1560.010.0	3	gasket 14.2 x 20 x 1.5
33	2.1310.004.2	3	flat washer 8.5
50	0.010.9909.3	1	tube
51	2.3339.809.2	1	pipe union
52	2.1531.012.0	1	'o' ring 6.75 x 1.78
53	2.3339.812.2	1	pipe fitting
54	2.1560.014.0	2	gasket 18.2 x 24 x 1.5
62	0.011.6451.0	1	plate
63	2.0112.207.2	2	screw m 8 p 1.25 x 20
64	2.1470.004.2	2	washer 8
66	2.3110.403.1	1	plug m 14 p.1.5

Section: GEAR

**REAR GEARBOX CASE**

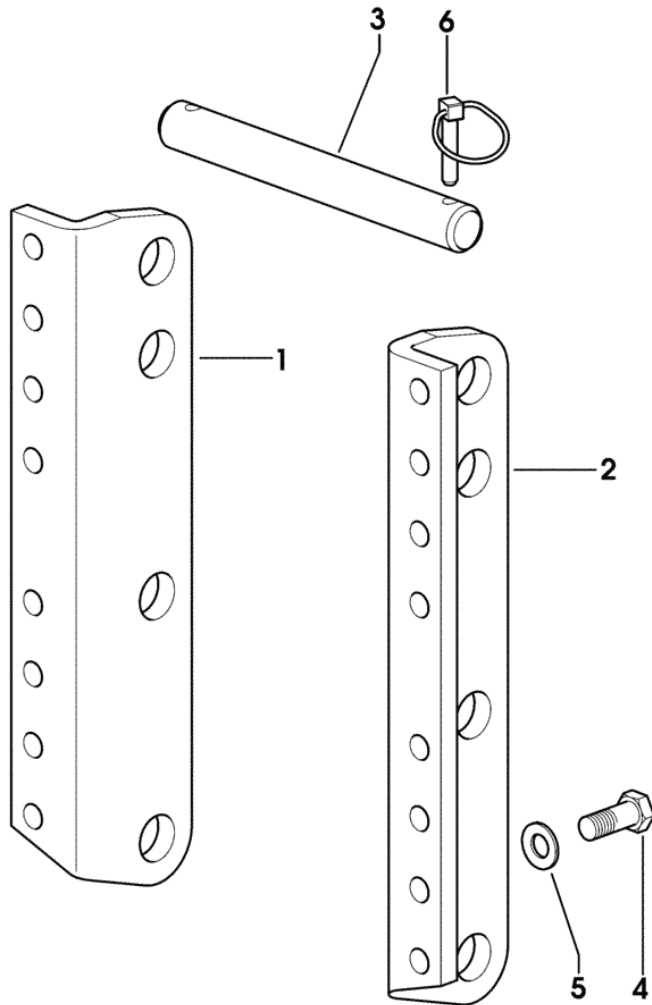
Fig.	Code	QTY	Name
1	0.008.5683.0	1	flange
2	2.1560.010.0	2	gasket 14.2 x 20 x 1.5
3	0.008.5684.3/10	1	tube
4	2.3335.006.2	1	pipe union m 14 p.1.5x24



9\_60031\_01\_0\_0

**REAR GEARBOX BRACKETS**

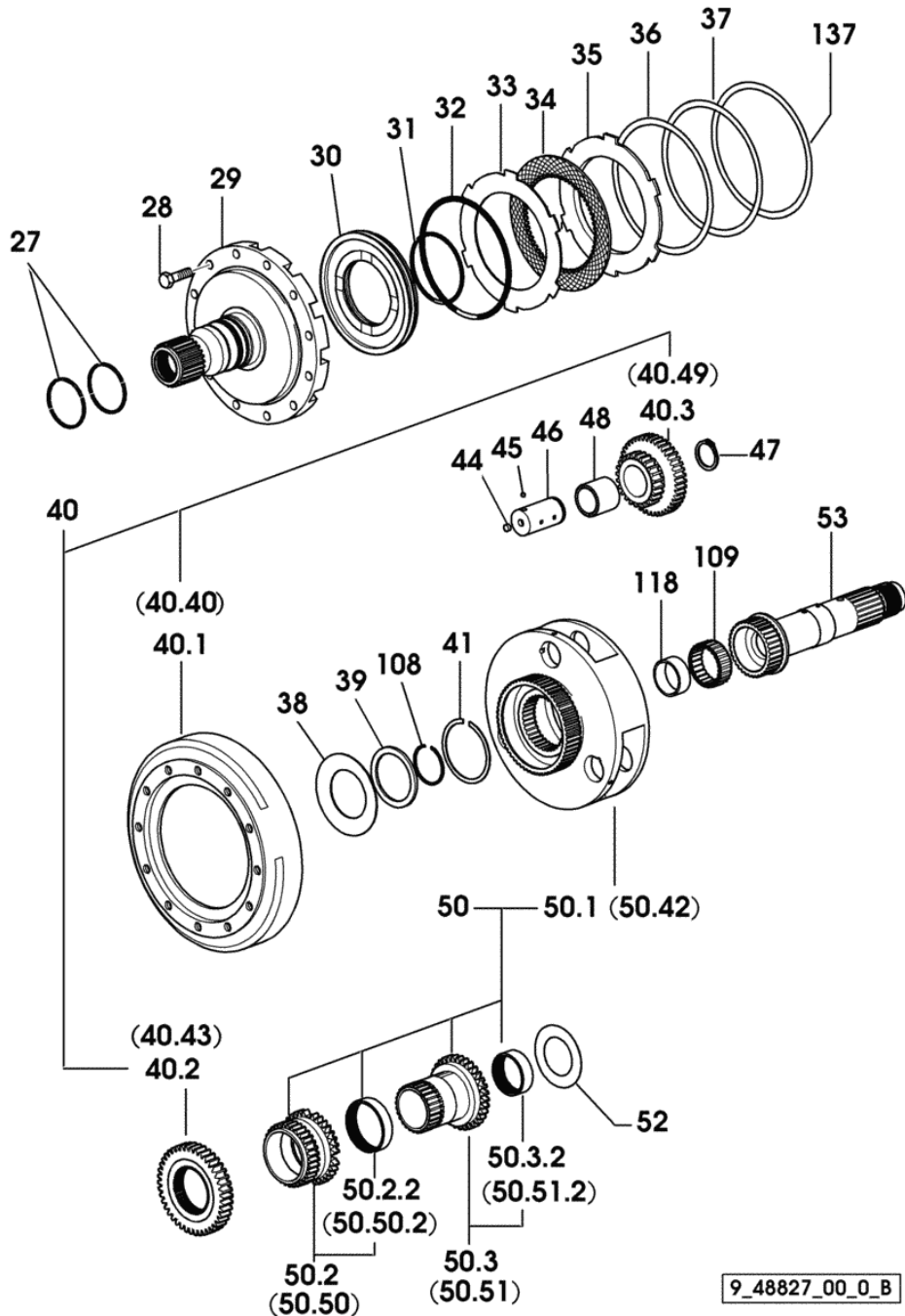
Fig.	Code	QTY	Name
1	0.009.3555.0	1	support dx/rh/re
2	0.009.3556.0	1	support sx/lh/li
3	0.96133.32.0	2	pin
4	2.0112.615.2	18	screw m 16 p.2 x 40
5	2.1499.019.6	18	washer 16.3 x 31.5
6	0.010.9322.4	4	pin Ø 11



9\_49231\_50\_0\_0

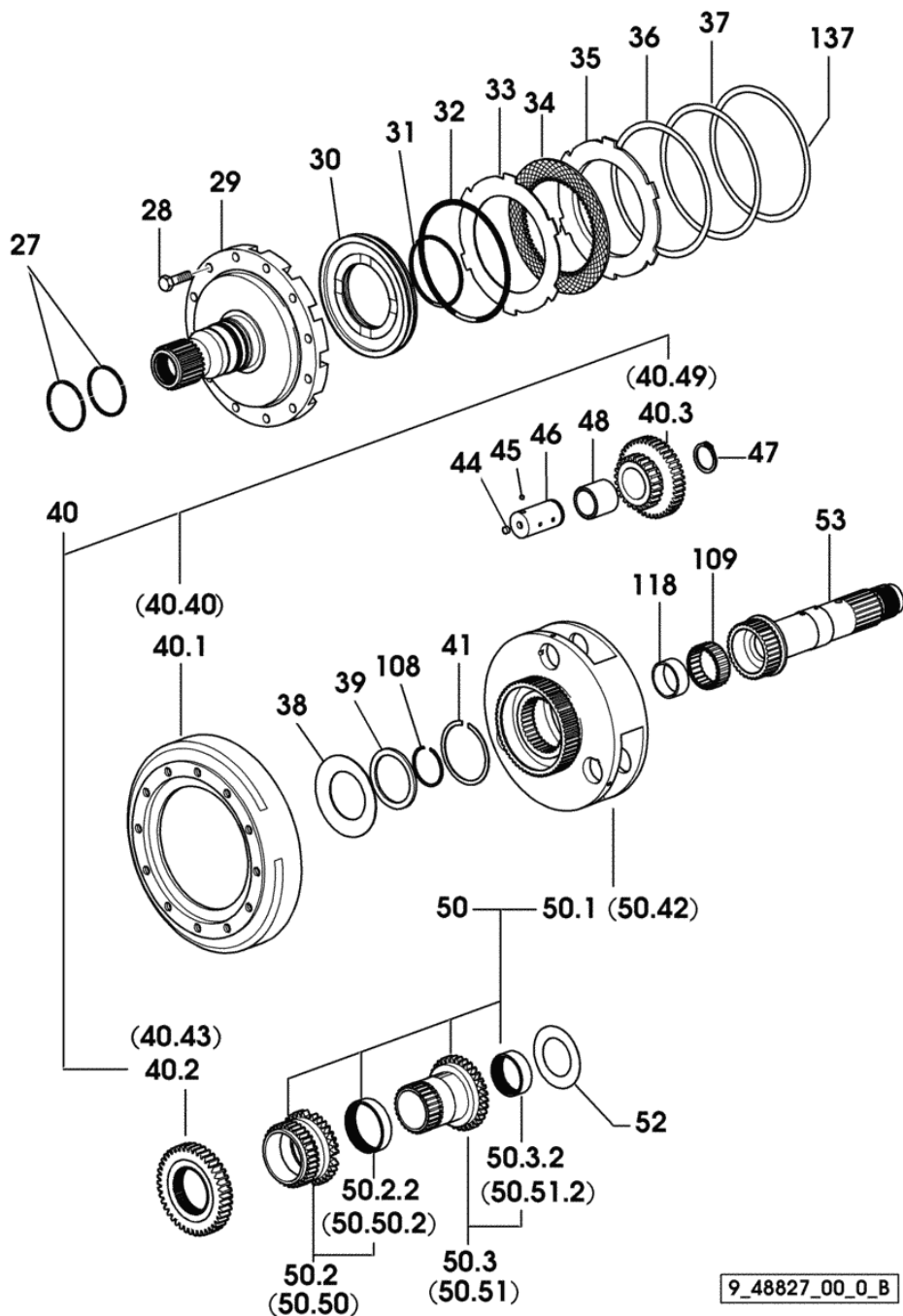
Section: GEAR  
**STANDARD GEARBOX**

Fig.	Code	QTY	Name
27	2.1499.108.7	2	ring 57.70x62x2.15
28	2.0132.209.2	12	screw m 10 p.1.25 x 35
29	0.008.5307.3/80	1	container
30	0.008.4542.0/60	1	piston
31	2.1539.113.0	1	'o' ring 82.14 x 3.53
32	2.1539.114.0	1	'o' ring 142.24x5.33
33	0.008.5203.0/10	3	disc mm 2.10
34	0.007.7499.2	3	clutch disc mm 3.50
35	0.008.4567.0/10	1	disc mm 4 - mm 9
36	2.1589.223.0	2	snoulder 154x170x0.5
37	2.1589.222.0	3	snoulder 154x170x0.2
38	2.4099.068.1	1	spring 60.8x102
39	2.1549.084.0	1	spacer 60x75x3
40	0.000.0000.1	0	not serviceable
			3544 <- X SILVER 160
			1551 <- X SILVER 180
			-> 3545 X SILVER 160
			-> 1552 X SILVER 180
40.1	0.008.4552.0/10	1	crown wheel
40.2	0.008.4548.0/20	1	gear
40.3	0.011.8735.3	1	planet gear n. 3
40.40	0.008.4552.0/10	1	crown wheel
40.43	0.008.4548.0/20	1	gear
40.49	0.008.4551.3/50	1	planet gear n. 3
41	2.1422.041.7	1	circlip 70x1.5
44	2.3171.002.4	3	plug 8
45	2.2819.003.0	3	ball 4.5
46	0.010.0397.0/10	3	pin mm 32.26x60.2
			3544 <- X SILVER 160
			1551 <- X SILVER 180
46	0.011.8733.0	3	pin mm 25x60.2
			-> 3545 X SILVER 160
			-> 1552 X SILVER 180
47	2.1410.013.1	3	circlip 32
			3544 <- X SILVER 160
			1551 <- X SILVER 180
47	2.1410.010.2	3	ring 25
			-> 3545 X SILVER 160
			-> 1552 X SILVER 180
48	2.2999.329.0	3	roller cage 32.26x39.26
			3544 <- X SILVER 160
			1551 <- X SILVER 180
48	2.2999.427.0	3	roller bearing 25X41
			-> 3545 X SILVER 160



Section: GEAR  
**STANDARD GEARBOX**

Fig.	Code	QTY	Name
50	0.000.0000.1	0	-> 1552 X SILVER 180 not serviceable 3544 <- X SILVER 160 1551 <- X SILVER 180 -> 3545 X SILVER 160 -> 1552 X SILVER 180
50.1	0.011.8732.0	1	spider
50.2	0.008.4549.3/20	1	gear
50.2.2	2.1559.268.0/10	1	bushing
50.3	0.008.4554.3/20	1	small shaft
50.3.2	2.1559.269.0/10	1	bushing
50.42	0.008.4564.0/80	1	regulator
50.50	0.008.4549.3/20	1	gear
50.50.2	2.1559.268.0/10	1	bushing
50.51	0.008.4554.3/20	1	small shaft
50.51.2	2.1559.269.0/10	1	bushing
52	2.1599.608.0	1	snoulder 48.2x78x4
53	0.008.5262.0/60	1	shaft
108	2.1422.037.7	1	circlip 60x1.5
109	2.2999.261.0	1	roller cage 45x55x20
118	2.1559.299.0	1	bushing 40x45x17
137	2.1589.503.0	2	ring 154x170x0.15





Section: GEAR  
**STANDARD GEARBOX**

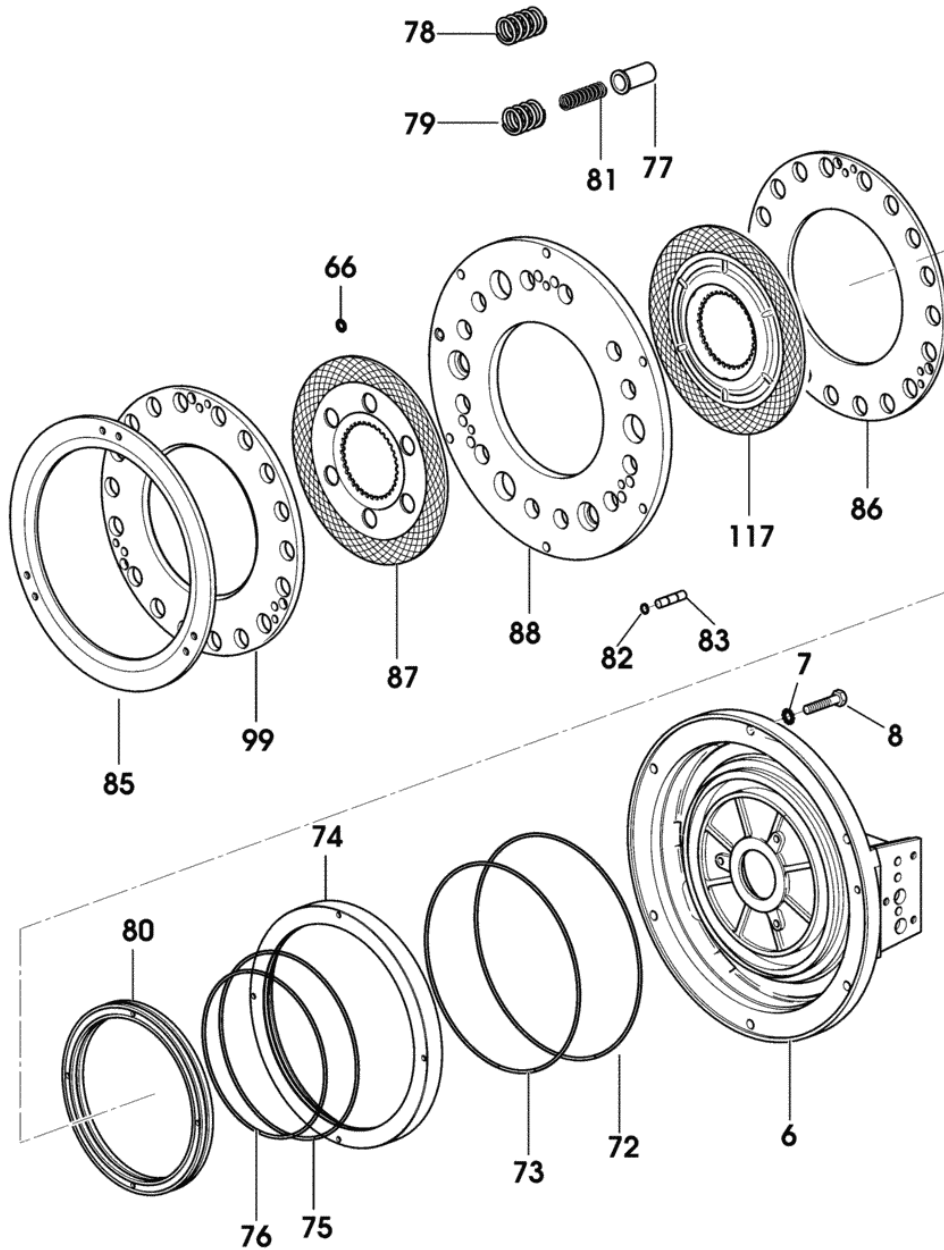


Fig.	Code	QTY	Name
6	0.008.4546.0/80	1	flange
7	2.1470.006.2	6	lock washer 10
8	2.0112.319.2	6	screw m 10 p.1.5 x 50
66	2.1539.151.0	2	'o' ring 9.19 x 2.62
72	2.1539.117.0	1	'o' ring 266.29x3.53
73	2.1539.119.0	1	'o' ring 247.24x3.53
74	0.008.4558.0/20	1	piston
75	2.1539.118.0	1	'o' ring Ø 221.84 x 3.53
76	2.1539.123.0	1	'o' ring 196x3.53
77	2.1559.270.0/10	18	bushing
78	2.4019.465.0	3	spring 25.1x32.5x50
79	2.4019.466.0	3	spring 25.1x32.5x29.5
80	0.008.4545.0/20	1	piston
81	2.4019.467.0	18	spring 11.6x18x61.5
82	2.1410.001.1	6	circlip 10
83	2.1699.304.0	3	pin 10x8x42
85	0.008.4550.0/20	1	flange
86	0.008.4574.0/10	1	disc
87	0.007.7480.3/20	1	clutch disc
88	0.008.4553.0/20	1	disc
99	0.008.4983.0/40	1	disc
117	0.007.7480.2	1	friction ring

9\_48827\_00\_0\_C

Section: GEAR  
**STANDARD GEARBOX**

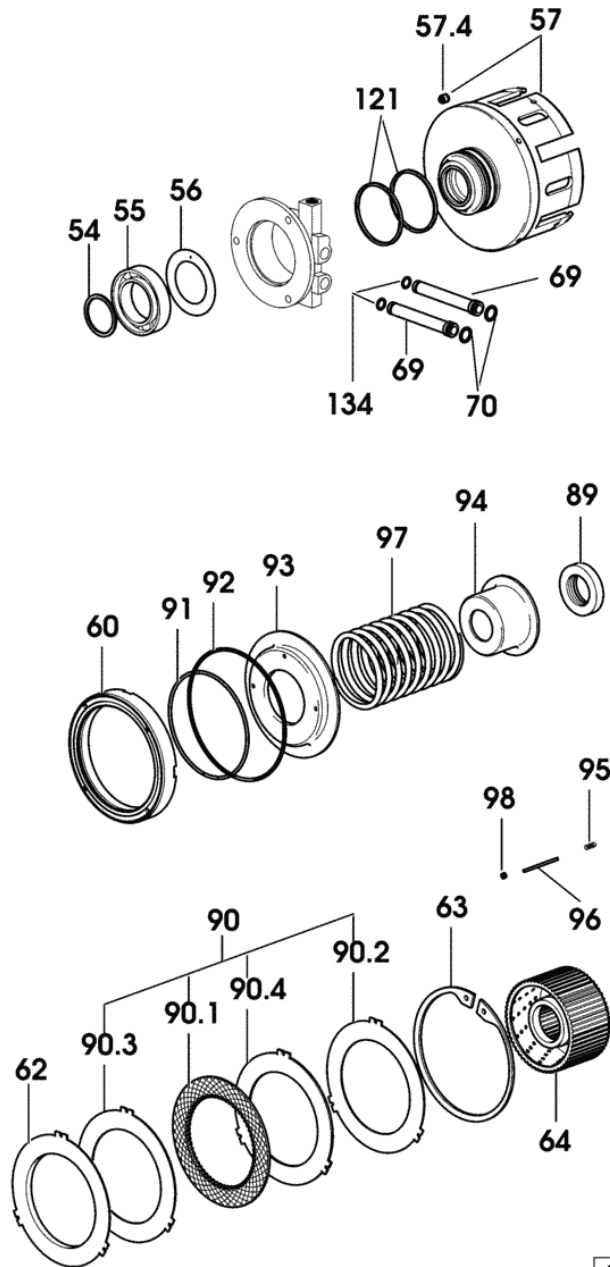
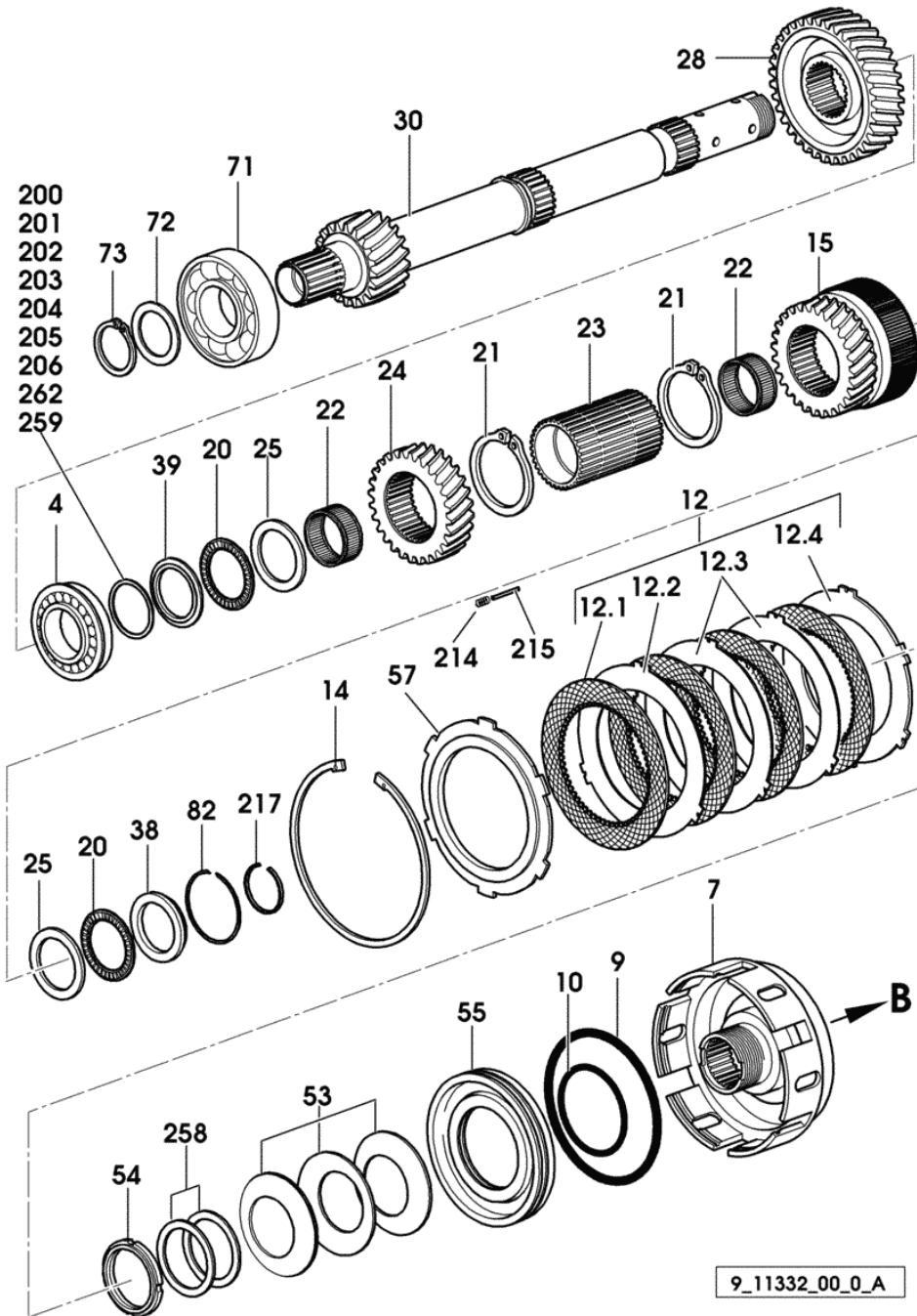


Fig.	Code	QTY	Name
54	2.1599.607.0	1	snoulder 445.1x54x3
55	2.2045.013.0	1	bearing 45 x 85 x 19
56	2.1589.224.0/10	1	lamination 55x84.9x1
57	0.008.5442.3/20	1	container
57.4	2.3139.015.0	4	plug 1/16"
60	0.008.5008.0/40	1	piston
62	0.007.7272.0/20	1	disc
63	2.1419.045.0	1	ring 172x4
64	0.008.5006.0/70	1	hub
69	0.008.4536.0/20	2	tube
70	2.1532.035.0	2	'o' ring 14x1.78
89	2.1219.041.0/10	1	ring nut m 40 p.1.5
90	0.008.5208.3/10	1	hydraulic pto clutch
90.1	0.007.7499.2	8	clutch disc mm 3.50
90.2	0.008.5203.0/10	4	disc mm 2.10
90.3	0.008.5205.0/10	3	disc mm 1.9
90.4	0.008.5206.0/10	1	disc mm 3.00
91	2.1539.106.0	1	'o' ring
92	2.1539.120.0	1	'o' ring 164.69x3.53
93	0.008.5303.0/10	1	ring
94	0.008.5304.0/10	1	ring
95	2.4019.479.1	12	spring 3.6x5.8x1.1x10
96	2.1699.294.0	3	pin 3x58.5
97	2.4019.494.1	1	spring 100x80x108,6
98	2.1549.012.0	3	spacer
121	2.1499.112.7	2	circlip 80x2.8
134	2.1539.071.0	2	'o' ring 11.11x1.78

9\_48827\_00\_0\_D

Section: GEAR  
MAIN SHAFT



Notes:  
(...) <- X SILVER 160

Fig.	Code	QTY	Name
4	2.2999.115.0/10	3	bearing
7	0.008.4514.0/60	1	clutch housing
9	2.1539.114.0	3	'o' ring 142.24x5.33
10	2.1539.113.0	3	'o' ring 82.14 x 3.53
12	0.008.5207.3/20	2	hydraulic pto clutch 2 - 3
12.1	0.007.7499.2	4	clutch disc mm 3.50
12.2	0.008.5203.0/10	1	disc mm 2.10
12.3	0.008.5205.0/10	2	disc mm 1.9
12.4	0.008.5209.0/10	1	disc mm 4.3
14	2.1419.045.0	3	ring 172x4
15	0.008.4505.3/40	1	gear
20	2.2999.228.0	2	roller cage 50x70x3
21	2.1410.028.1	2	circlip 70
22	2.2999.224.0	4	roller cage 50x58x25
23	0.008.4499.0/10	1	gear Z = 34
24	0.008.4498.0/20	1	gear Z = 28
25	2.1599.549.0	2	thrust plate 52x70x4
28	0.011.1383.0	1	gear
30	0.008.4516.3/80	1	main shaft
38	2.1549.120.0	1	spacer 50x60x68x6.5
39	2.1599.604.0/10	1	thrust plate 50x68x4
53	2.4099.089.7	13	spring 60.5x102
54	2.1219.040.0/10	3	ring nut m 60 p.1.5
55	0.008.4543.0/50	3	piston
57	0.007.7272.0/20	3	disc
71	2.2999.324.0/10	1	bearing
72	2.1599.601.0	1	spacer 45x62x3
73	2.1410.018.7	1	circlip 45
82	2.1423.049.7	1	circlip 70x1.5
200	2.1589.236.0	0	shim 50.5x58x1.35
201	2.1589.237.0	0	shim 50.5x58x1.40
202	2.1589.238.0	0	shim 50.5x58x1.45
203	2.1589.239.0	0	shim 50.5x58x1.50
204	2.1589.240.0	0	shim 50.5x58x1.55
205	2.1589.241.0	0	shim 50.5x58x1.60
206	2.1589.242.0	0	shim 50.5x58x1.65
214	2.4019.479.1	24	spring 3.6x5.8x1.1x10
215	2.1699.334.0	6	pin 3x33.5
217	2.1429.042.0	1	ring 45.2x49x3
258	2.1599.680.7	4	snoulder 60x75x3
259	2.1589.314.0	0	shim 50.5x58x1.75

Section: GEAR  
**MAIN SHAFT**

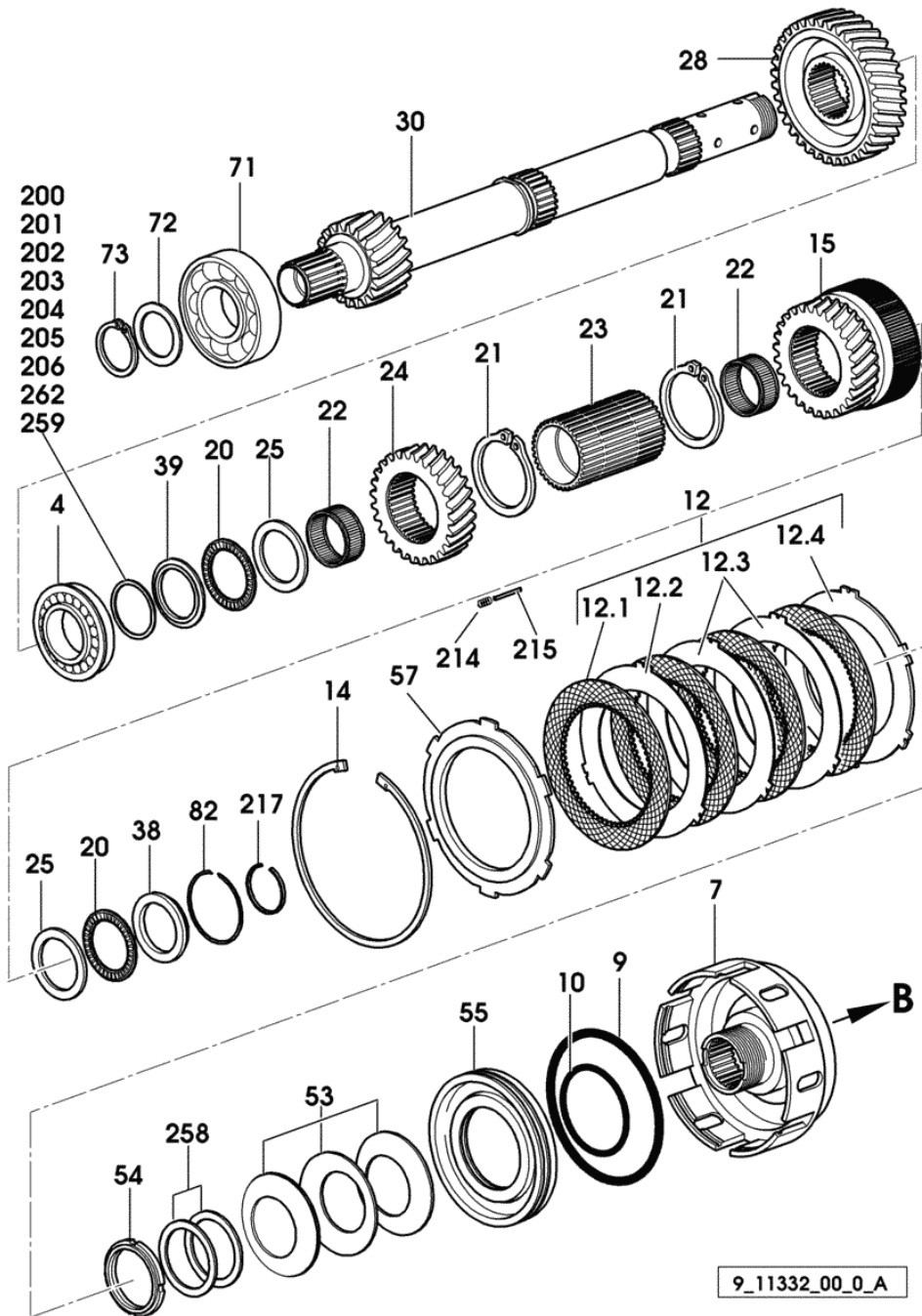


Fig.	Code	QTY	Name
262	2.1589.313.0	0	shim 50.5x58x1.7

9\_11332\_00\_0\_A

Section: GEAR

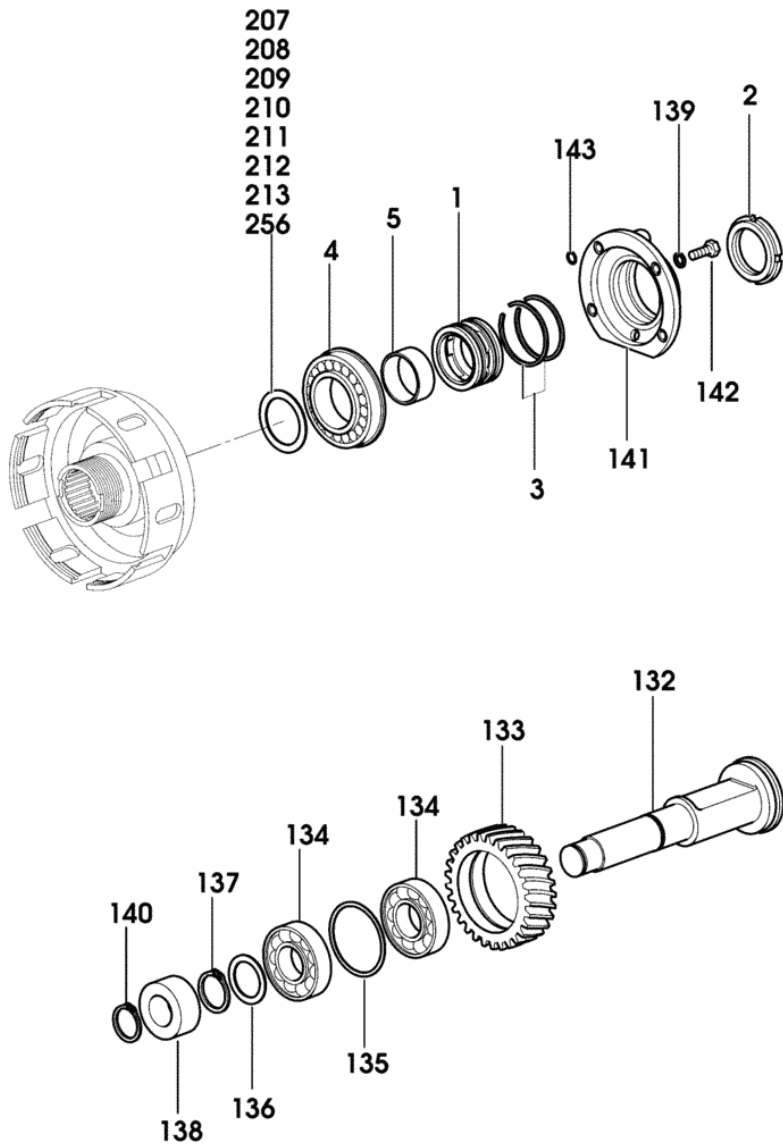
**MAIN SHAFT AND REVERSING GEAR UNIT**

Fig.	Code	QTY	Name
------	------	-----	------

**Notes:**

(...) <- X SILVER 160

1	0.007.7241.0/60	1	spacer
2	2.1219.039.0/20	2	ring nut m 45 p.1.5
3	2.1499.108.7	2	ring 57.70x62x2.15
4	2.2999.115.0/10	3	bearing
5	2.2999.116.0	1	ring 45x50x20
132	0.007.7239.0/30	1	shaft
133	0.007.7232.0/20	1	gear Z = 29
134	2.2045.011.0	2	ball bearing 35 x 72 x 17
135	2.1411.029.1	1	circlip 72
136	2.1599.603.0	1	snoulder 35x47x2
137	2.1410.014.1	1	circlip 35
138	2.1559.267.0	1	bushing 30x55x25
139	2.1470.004.2	4	washer 8
140	2.1410.012.1	1	circlip 30
141	0.007.7242.0/70	1	cover
142	2.0112.209.2	4	screw m 8 p 1.25 x 25
143	2.1539.148.0	1	'o' ring 8.73 x 1.78
207	2.1589.229.0	0	shim 45.5x60x1.35
208	2.1589.230.0	0	shim 45.5x60x1.40
209	2.1589.231.0	0	shim 45.5x60x1.45
210	2.1589.232.0	0	shim 45.5x60x1.50
211	2.1589.233.0	0	shim 45.5x60x1.55
212	2.1589.234.0	0	shim 45.5x60x1.35
213	2.1589.235.0	0	shim 45.5x60x1.65
256	2.1589.263.0	0	snoulder 45.5x60x1



9\_11332\_00\_0\_B

Section: GEAR  
MAIN SHAFT

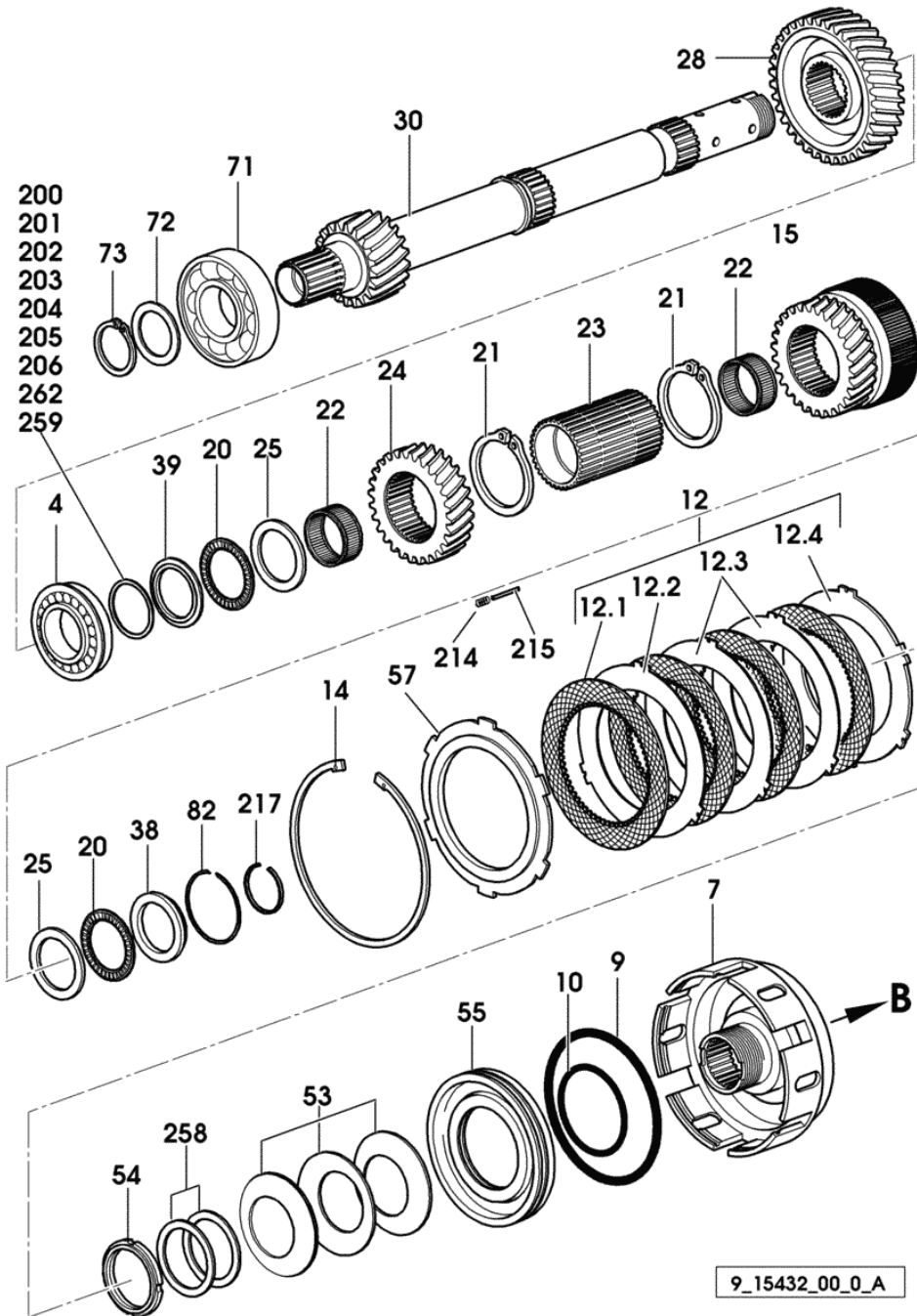


Fig.	Code	QTY	Name
------	------	-----	------

Notes:  
-> (...) X SILVER 160

4	2.2999.115.0/10	3	bearing
7	0.008.4514.0/60	1	clutch housing
9	2.1539.114.0	3	'o' ring 142.24x5.33
10	2.1539.113.0	3	'o' ring 82.14 x 3.53
12	0.008.5207.3/20	2	hydraulic pto clutch 2 - 3
12.1	0.007.7499.2	4	clutch disc mm 3.50
12.2	0.008.5203.0/10	1	disc mm 2.10
12.3	0.008.5205.0/10	2	disc mm 1.9
12.4	0.008.5209.0/10	1	disc mm 4.3
14	2.1419.045.0	3	ring 172x4
15	0.008.4505.3/40	1	gear
20	2.2999.228.0	2	roller cage 50x70x3
21	2.1410.028.1	2	circlip 70
22	2.2999.224.0	4	roller cage 50x58x25
23	0.008.4499.0/10	1	gear Z = 34
24	0.008.4498.0/20	1	gear Z = 28
25	2.1599.549.0	2	thrust plate 52x70x4
28	0.011.1400.0	1	gear Z = 36
30	0.008.4516.3/80	1	main shaft
38	2.1549.120.0	1	spacer 50x60x68x6.5
39	2.1599.604.0/10	1	thrust plate 50x68x4
53	2.4099.089.7	13	spring 60.5x102
54	2.1219.040.0/10	3	ring nut m 60 p.1.5
55	0.008.4543.0/50	3	piston
57	0.007.7272.0/20	3	disc
71	2.2999.324.0/10	1	bearing
72	2.1599.601.0	1	spacer 45x62x3
73	2.1410.018.7	1	circlip 45
82	2.1423.049.7	1	circlip 70x1.5
200	2.1589.236.0	0	shim 50.5x58x1.35
201	2.1589.237.0	0	shim 50.5x58x1.40
202	2.1589.238.0	0	shim 50.5x58x1.45
203	2.1589.239.0	0	shim 50.5x58x1.50
204	2.1589.240.0	0	shim 50.5x58x1.55
205	2.1589.241.0	0	shim 50.5x58x1.60
206	2.1589.242.0	0	shim 50.5x58x1.65
214	2.4019.479.1	24	spring 3.6x5.8x1.1x10
215	2.1699.334.0	6	pin 3x33.5
217	2.1429.042.0	1	ring 45.2x49x3
258	2.1599.680.7	2	snoulder 60x75x3
259	2.1589.314.0	0	shim 50.5x58x1.75

Section: GEAR  
**MAIN SHAFT**

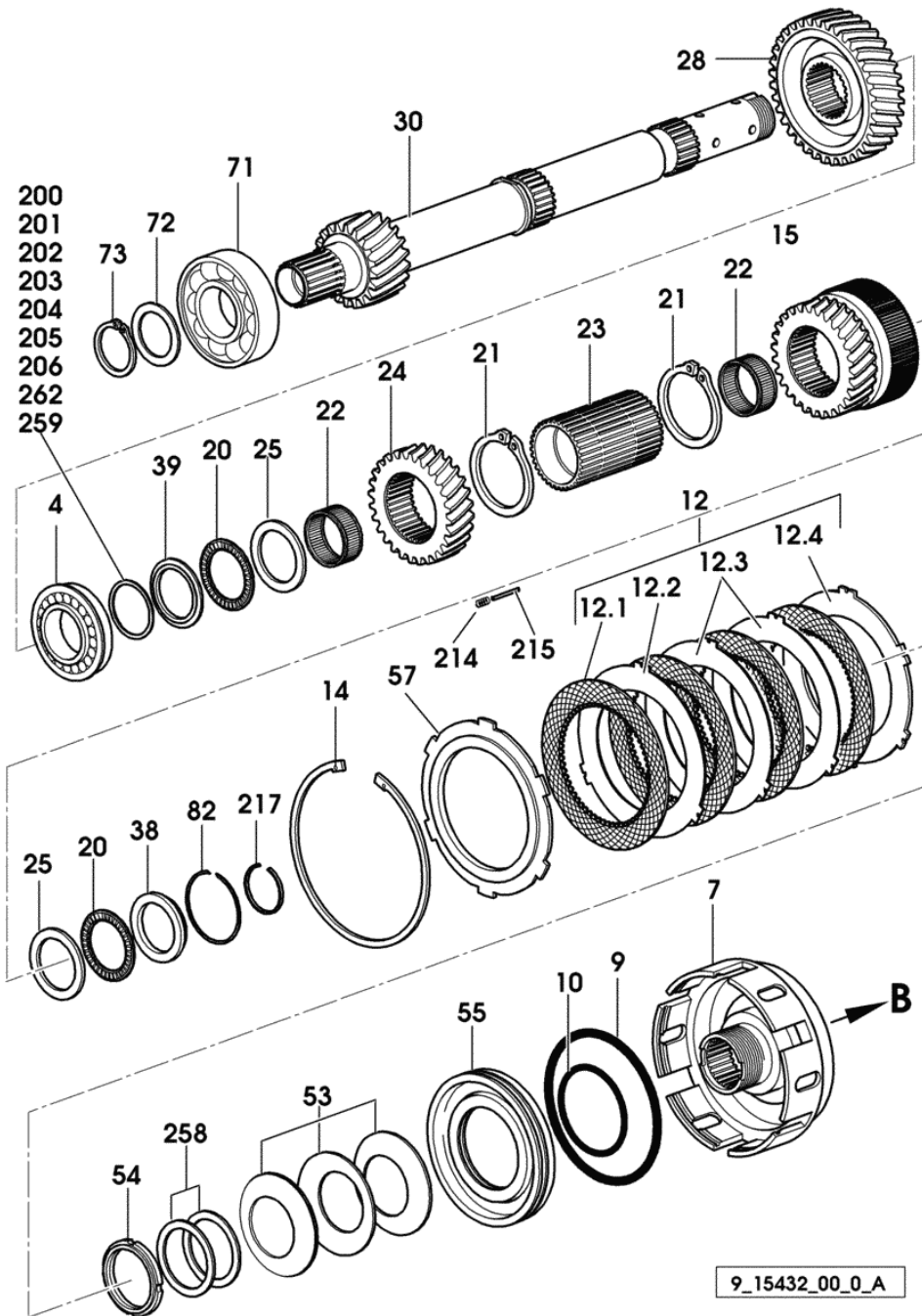


Fig.	Code	QTY	Name
262	2.1589.313.0	0	shim 50.5x58x1.7

9\_15432\_00\_0\_A

Section: GEAR

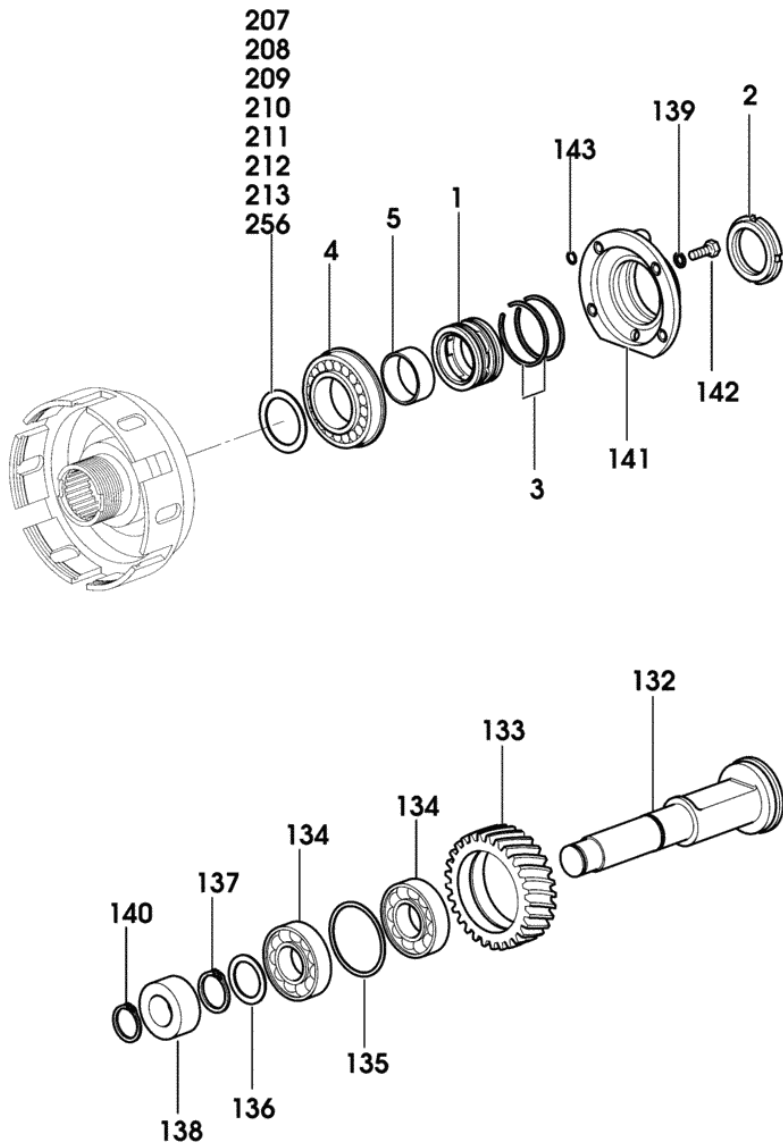
**MAIN SHAFT AND REVERSING GEAR UNIT**

Fig.	Code	QTY	Name
------	------	-----	------

Notes:

-> (...) X SILVER 160

1	0.007.7241.0/60	1	spacer
2	2.1219.039.0/20	2	ring nut m 45 p.1.5
3	2.1499.108.7	2	ring 57.70x62x2.15
4	2.2999.115.0/10	3	bearing
5	2.2999.116.0	1	ring 45x50x20
132	0.007.7239.0/30	1	shaft
133	0.007.7232.0/20	1	gear Z = 29
134	2.2045.011.0	2	ball bearing 35 x 72 x 17
135	2.1411.029.1	1	circlip 72
136	2.1599.603.0	1	snoulder 35x47x2
137	2.1410.014.1	1	circlip 35
138	2.1559.267.0	1	bushing 30x55x25
139	2.1470.004.2	4	washer 8
140	2.1410.012.1	1	circlip 30
141	0.007.7242.0/70	1	cover
142	2.0112.209.2	4	screw m 8 p 1.25 x 25
143	2.1539.148.0	1	'o' ring 8.73 x 1.78
207	2.1589.229.0	0	shim 45.5x60x1.35
208	2.1589.230.0	0	shim 45.5x60x1.40
209	2.1589.231.0	0	shim 45.5x60x1.45
210	2.1589.232.0	0	shim 45.5x60x1.50
211	2.1589.233.0	0	shim 45.5x60x1.55
212	2.1589.234.0	0	shim 45.5x60x1.35
213	2.1589.235.0	0	shim 45.5x60x1.65
256	2.1589.263.0	0	snoulder 45.5x60x1



9\_15432\_00\_0\_B

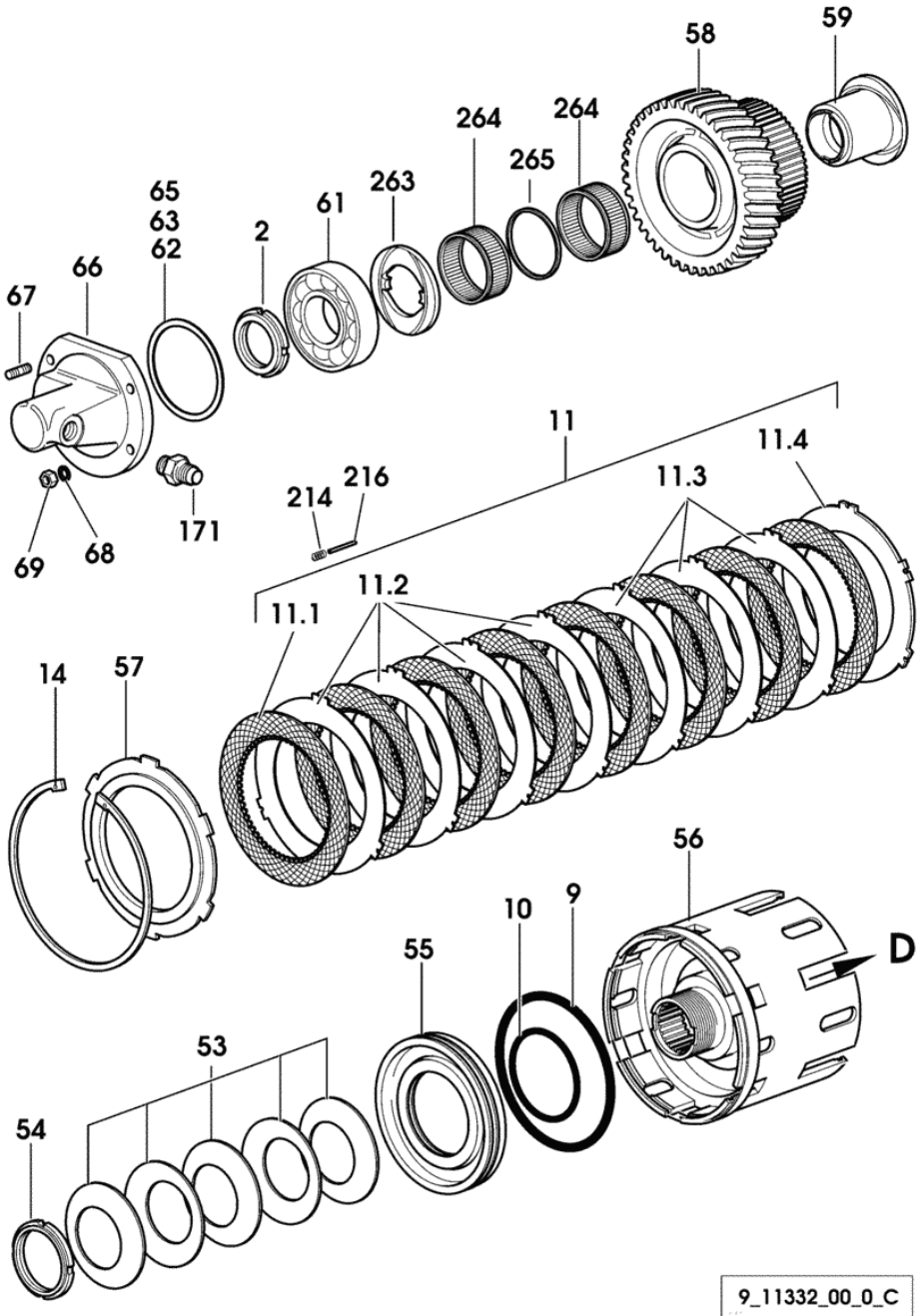


Section: GEAR  
**TRANSMISSION SHAFT**

Fig.	Code	QTY	Name
------	------	-----	------

Notes:  
 (...) <- X SILVER 160

2	2.1219.039.0/20	2	ring nut m 45 p.1.5
9	2.1539.114.0	3	'o' ring 142.24x5.33
10	2.1539.113.0	3	'o' ring 82.14 x 3.53
11	0.008.5288.3/10	1	hydraulic pto clutch 1
11.1	0.007.7499.2	8	clutch disc mm 3.50
11.2	0.008.5203.0/10	4	disc mm 2.10
11.3	0.008.5205.0/10	3	disc mm 1.9
11.4	0.008.5209.0/10	1	disc mm 4.3
14	2.1419.045.0	3	ring 172x4
53	2.4099.089.7	13	spring 60.5x102
54	2.1219.040.0/10	3	ring nut m 60 p.1.5
55	0.008.4543.0/50	3	piston
56	0.010.0110.3/20	1	clutch housing
57	0.007.7272.0/20	3	disc
58	0.007.7764.3/20	1	gear z = 43 - z = 58
59	0.007.7765.0/20	1	sleeve
61	2.2531.011.0	1	roller bearing
62	2.1580.319.0	5	shim 86x98x0.5
63	2.1580.320.0	3	shim 86x98x0.2
65	2.1580.321.0	3	shim 86x98x0.15
66	0.008.4503.0/60	1	manifold
67	2.0432.005.7	4	stud bolt m 8 p.1.25 / p.1 x 25
68	2.1470.004.2	4	washer 8
69	2.1011.405.2	4	nut m 8 p.1
171	2.3261.009.2	1	pipe fitting m 18 p.1.5-3/4"
214	2.4019.479.1	24	spring 3.6x5.8x1.1x10
216	2.1699.294.0	3	pin 3x58.5
263	2.1599.748.0/40	1	snoulder
264	2.2999.084.0	2	roller cage 60x68x25
265	2.1549.275.0/10	1	spacer 63x68x3.5



9\_11332\_00\_0\_C

Section: GEAR  
**TRANSMISSION SHAFT**

9\_11332\_00\_0\_D

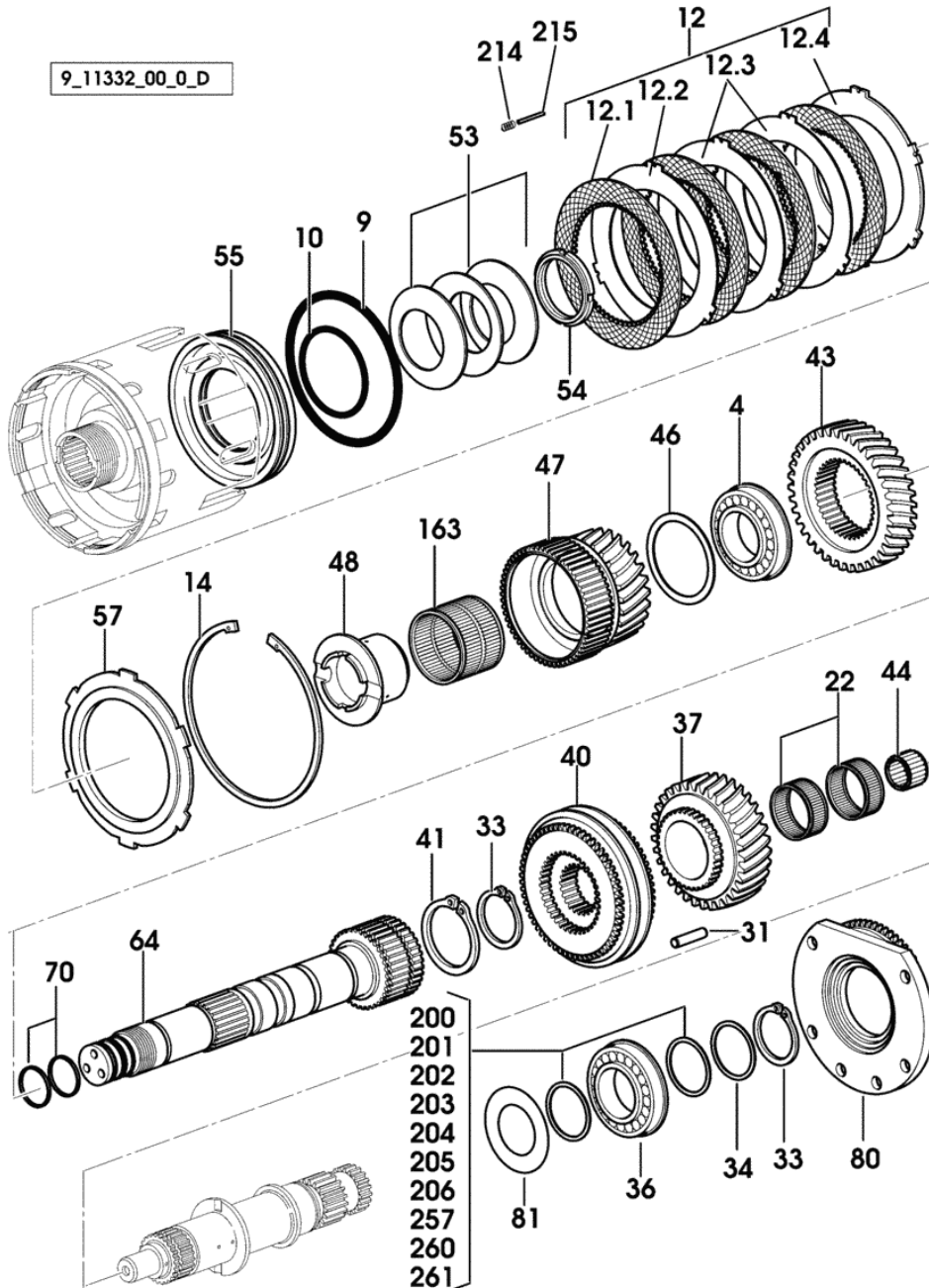


Fig.	Code	QTY	Name
4	2.2999.115.0/10	3	bearing
9	2.1539.114.0	3	'o' ring 142.24x5.33
10	2.1539.113.0	3	'o' ring 82.14 x 3.53
12	0.008.5207.3/20	2	hydraulic pto clutch 2 - 3
12.1	0.007.7499.2	4	clutch disc mm 3.50
12.2	0.008.5203.0/10	1	disc mm 2.10
12.3	0.008.5205.0/10	2	disc mm 1.9
12.4	0.008.5209.0/10	1	disc mm 4.3
14	2.1419.045.0	3	ring 172x4
22	2.2999.224.0	4	roller cage 50x58x25
31	0.007.6064.0/10	1	tube
33	2.1410.020.1	1	circlip 50
34	2.1599.600.0/10	1	shoulder 50x62x2
36	2.2999.204.0	1	bearing 50 x 90 x 20
37	0.007.7220.0/50	1	gear z = 33
40	0.008.5466.4/40	1	lock synchronizer Ø 114 COMPONENT PARTS SEE COMPONENTS LIST ☞ 0.008.5466.4/40 ☞ 02.00.7
41	2.1419.055.0	2	ring 80 x 4
43	0.011.1382.0	1	gear Z = 35
44	2.2999.111.0	1	roller cage 25x35x25
46	2.1599.751.0/20	1	snoulder 55.2
47	0.011.1386.3	1	gear
48	0.007.6978.0/20	1	sleeve
53	2.4099.089.7	13	spring 60.5x102
54	2.1219.040.0/10	3	ring nut m 60 p.1.5
55	0.008.4543.0/50	3	piston
57	0.007.7272.0/20	3	disc
64	0.008.4502.3/80	1	countershaft
70	2.1499.109.0/10	3	ring 37.1x40x2.5
80	0.007.7826.0/10	1	flange
81	2.1589.221.0	1	lamination 50.5x85x1
163	2.2999.106.0	2	roller cage 65x70x20
200	2.1589.236.0	0	shim 50.5x58x1.35
201	2.1589.237.0	0	shim 50.5x58x1.40
202	2.1589.238.0	0	shim 50.5x58x1.45
203	2.1589.239.0	0	shim 50.5x58x1.50
204	2.1589.240.0	0	shim 50.5x58x1.55
205	2.1589.241.0	0	shim 50.5x58x1.60

Section: GEAR  
**TRANSMISSION SHAFT**

9\_11332\_00\_0\_D

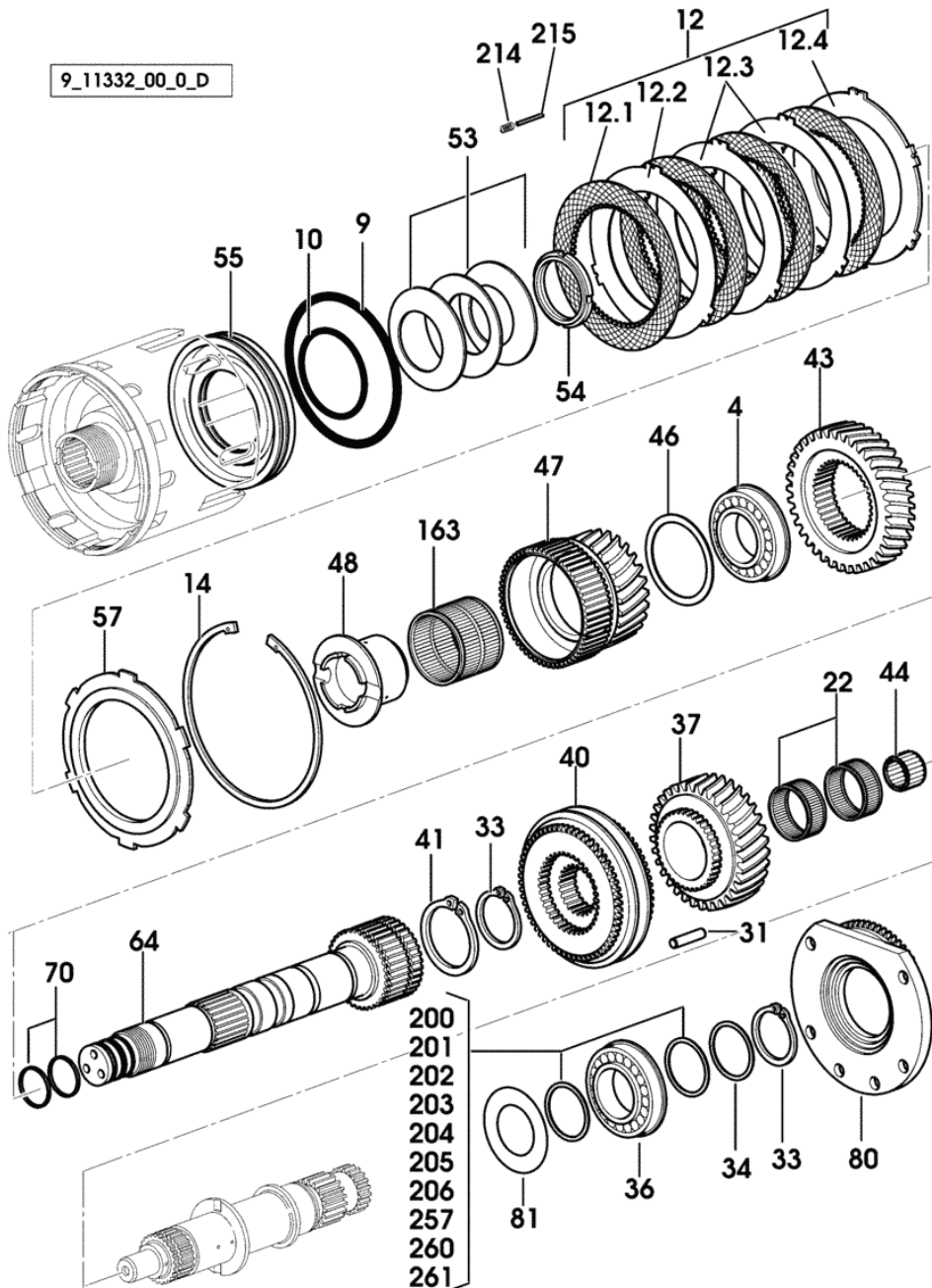


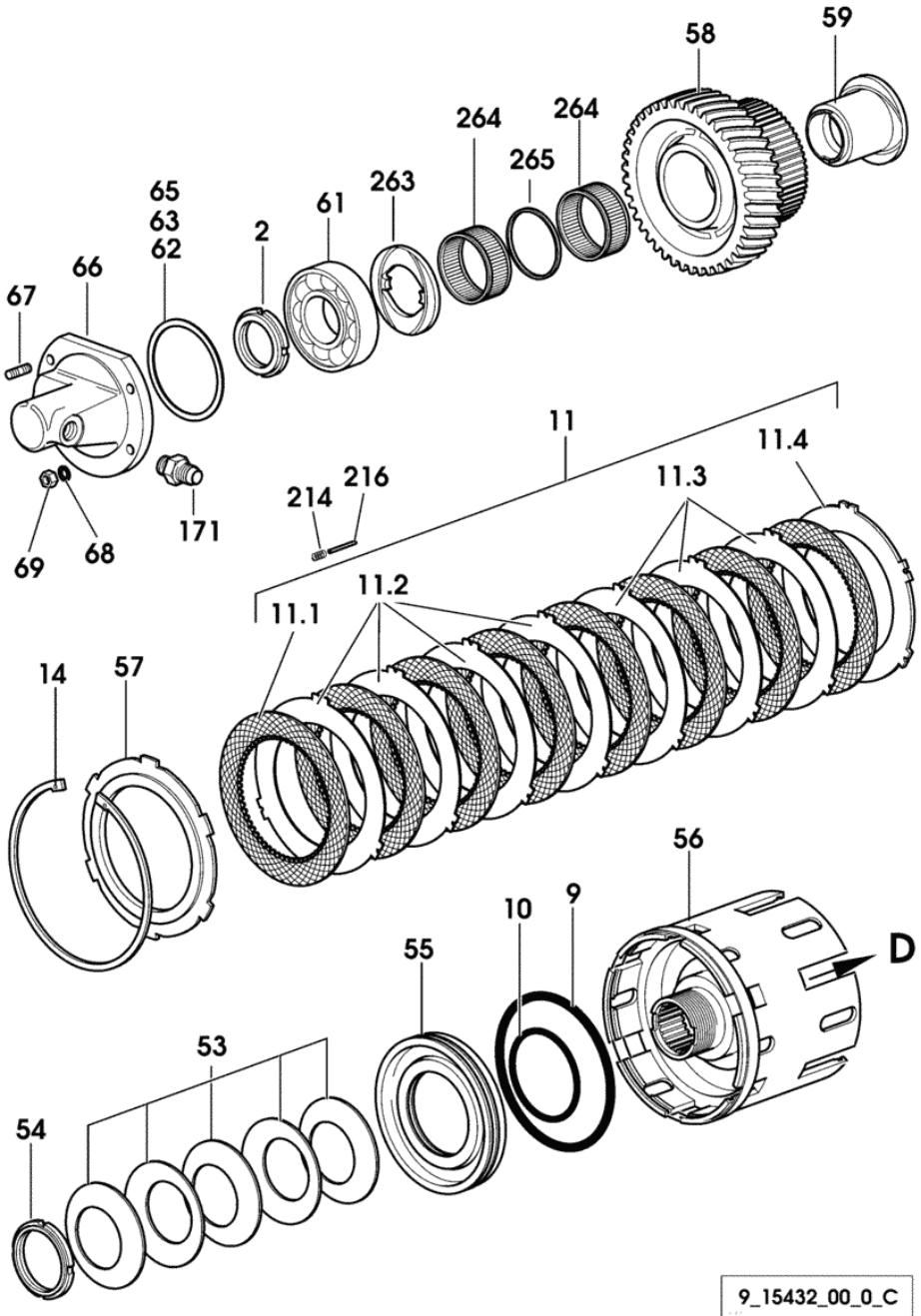
Fig.	Code	QTY	Name
206	2.1589.242.0	0	shim 50.5x58x1.65
214	2.4019.479.1	24	spring 3.6x5.8x1.1x10
215	2.1699.334.0	6	pin 3x33.5
257	2.1589.264.0	0	snoulder 50.5x58x1
260	2.1589.311.0	0	shim 50.5x58x0.80
261	2.1589.312.0	0	shim 50.5x58x0.90

Section: GEAR  
**TRANSMISSION SHAFT**

Fig.	Code	QTY	Name
------	------	-----	------

Notes:  
 -> (...) X SILVER 160

2	2.1219.039.0/20	2	ring nut m 45 p.1.5
9	2.1539.114.0	3	'o' ring 142.24x5.33
10	2.1539.113.0	3	'o' ring 82.14 x 3.53
11	0.008.5288.3/10	1	hydraulic pto clutch 1
11.1	0.007.7499.2	8	clutch disc mm 3.50
11.2	0.008.5203.0/10	4	disc mm 2.10
11.3	0.008.5205.0/10	3	disc mm 1.9
11.4	0.008.5209.0/10	1	disc mm 4.3
14	2.1419.045.0	3	ring 172x4
53	2.4099.089.7	13	spring 60.5x102
54	2.1219.040.0/10	3	ring nut m 60 p.1.5
55	0.008.4543.0/50	3	piston
56	0.010.9404.3/10	1	clutch housing
57	0.007.7272.0/20	3	disc
58	0.007.7764.3/20	1	gear z = 43 - z = 58
59	0.007.7765.0/20	1	sleeve
61	2.2531.011.0	1	roller bearing
62	2.1580.319.0	5	shim 86x98x0.5
63	2.1580.320.0	3	shim 86x98x0.2
65	2.1580.321.0	3	shim 86x98x0.15
66	0.008.4503.0/60	1	manifold
67	2.0432.005.7	4	stud bolt m 8 p.1.25 / p.1 x 25
68	2.1470.004.2	4	washer 8
69	2.1011.405.2	4	nut m 8 p.1
171	2.3261.009.2	1	pipe fitting m 18 p.1.5-3/4"
214	2.4019.479.1	24	spring 3.6x5.8x1.1x10
216	2.1699.294.0	3	pin 3x58.5
263	2.1599.748.0/40	1	snoulder
264	2.2999.084.0	2	roller cage 60x68x25
265	2.1549.275.0/10	1	spacer 63x68x3.5



9\_15432\_00\_0\_C

Section: GEAR  
**TRANSMISSION SHAFT**

9\_15432\_00\_0\_D

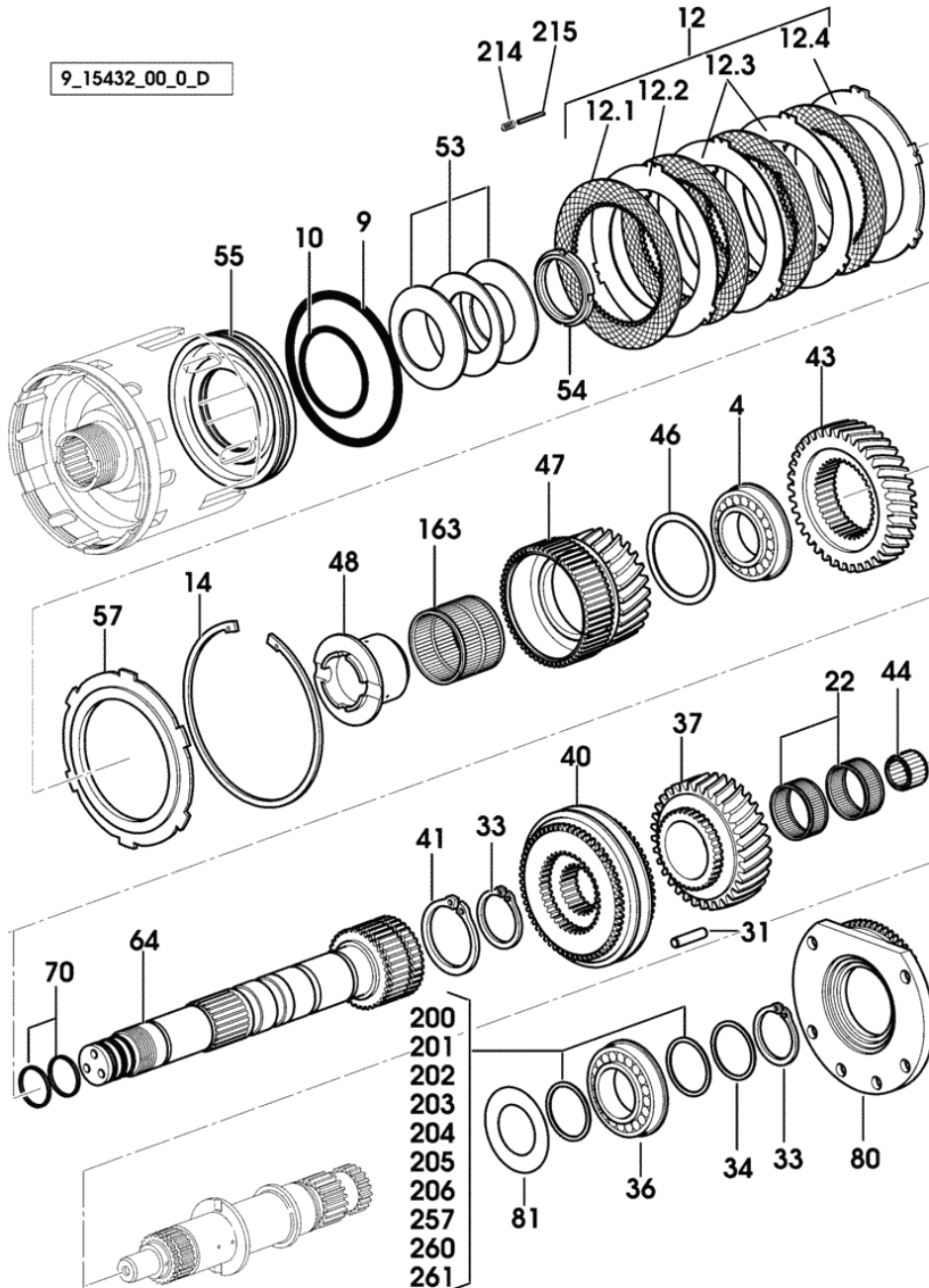


Fig.	Code	QTY	Name
<b>Notes:</b>			
-> (...) X SILVER 160			
4	2.2999.115.0/10	3	bearing
9	2.1539.114.0	3	'o' ring 142.24x5.33
10	2.1539.113.0	3	'o' ring 82.14 x 3.53
12	0.008.5207.3/20	2	hydraulic pto clutch 2 - 3
12.1	0.007.7499.2	4	clutch disc mm 3.50
12.2	0.008.5203.0/10	1	disc mm 2.10
12.3	0.008.5205.0/10	2	disc mm 1.9
12.4	0.008.5209.0/10	1	disc mm 4.3
14	2.1419.045.0	3	ring 172x4
22	2.2999.224.0	4	roller cage 50x58x25
31	0.007.6064.0/10	1	tube
33	2.1410.020.1	1	circlip 50
34	2.1599.600.0/10	1	shoulder 50x62x2
36	2.2999.204.0	1	bearing 50 x 90 x 20
37	0.007.7220.0/50	1	gear z = 33
40	0.008.5466.4/40	1	lock synchronizer Ø 114 COMPONENT PARTS SEE COMPONENTS LIST ☞ 0.008.5466.4/40 ☞ 02.00.7
41	2.1419.055.0	2	ring 80 x 4
43	0.011.1382.0	1	gear Z = 35
44	2.2999.111.0	1	roller cage 25x35x25
46	2.1599.751.0/20	1	snoulder 55.2
47	0.011.1401.3/10	1	gear z = 26
48	0.010.9403.0/10	1	sleeve
53	2.4099.089.7	13	spring 60.5x102
54	2.1219.040.0/10	3	ring nut m 60 p.1.5
55	0.008.4543.0/50	3	piston
57	0.007.7272.0/20	3	disc
64	0.008.4502.3/80	1	countershaft
70	2.1499.109.0/10	3	ring 37.1x40x2.5
80	0.007.7826.0/10	1	flange
81	2.1589.221.0	1	lamination 50.5x85x1
163	2.2999.372.0	1	roller cage 65x73x46
200	2.1589.236.0	0	shim 50.5x58x1.35
201	2.1589.237.0	0	shim 50.5x58x1.40
202	2.1589.238.0	0	shim 50.5x58x1.45
203	2.1589.239.0	0	shim 50.5x58x1.50
204	2.1589.240.0	0	shim 50.5x58x1.55
205	2.1589.241.0	0	shim 50.5x58x1.60

Section: GEAR  
**TRANSMISSION SHAFT**

9\_15432\_00\_0\_D

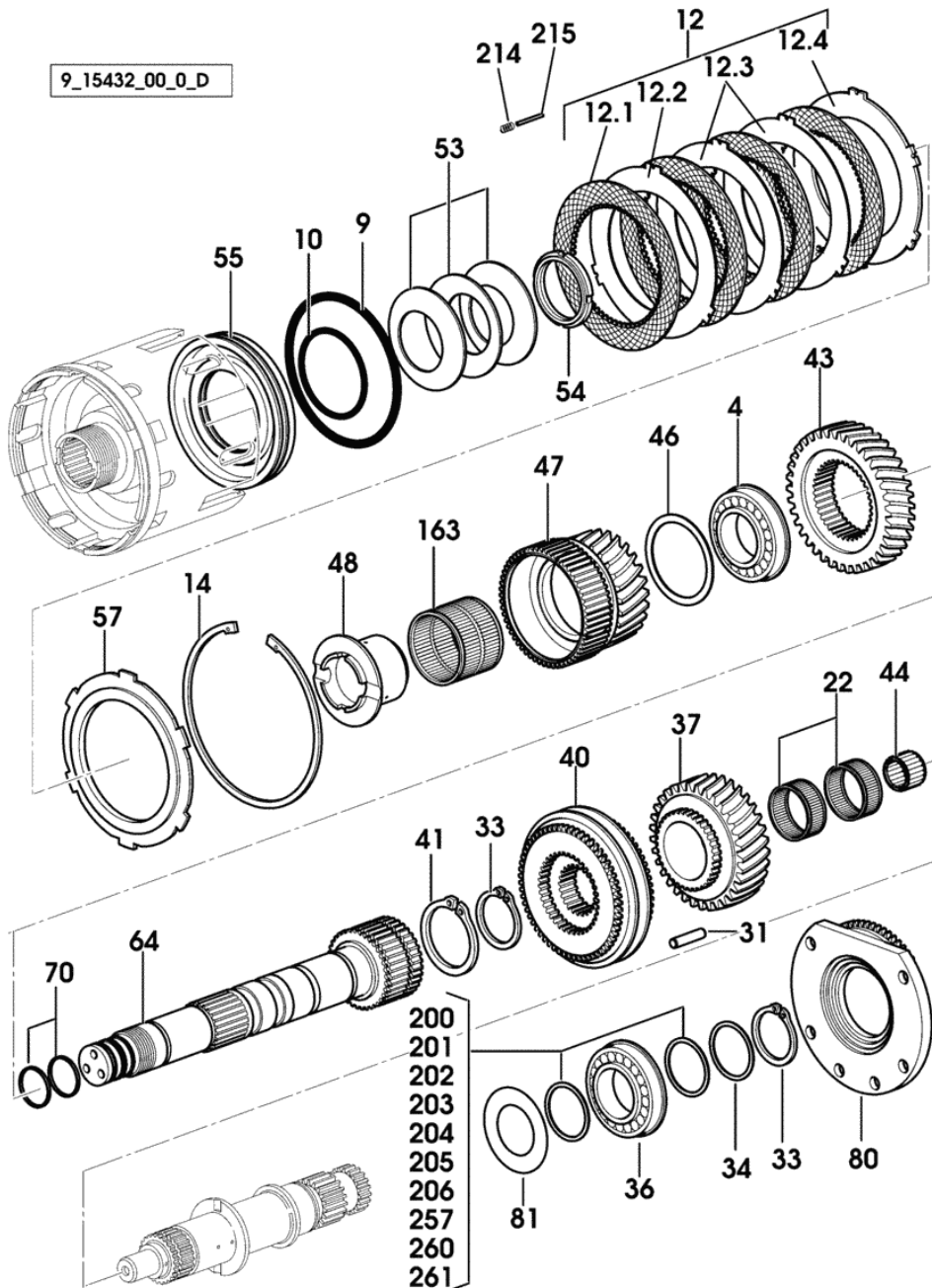
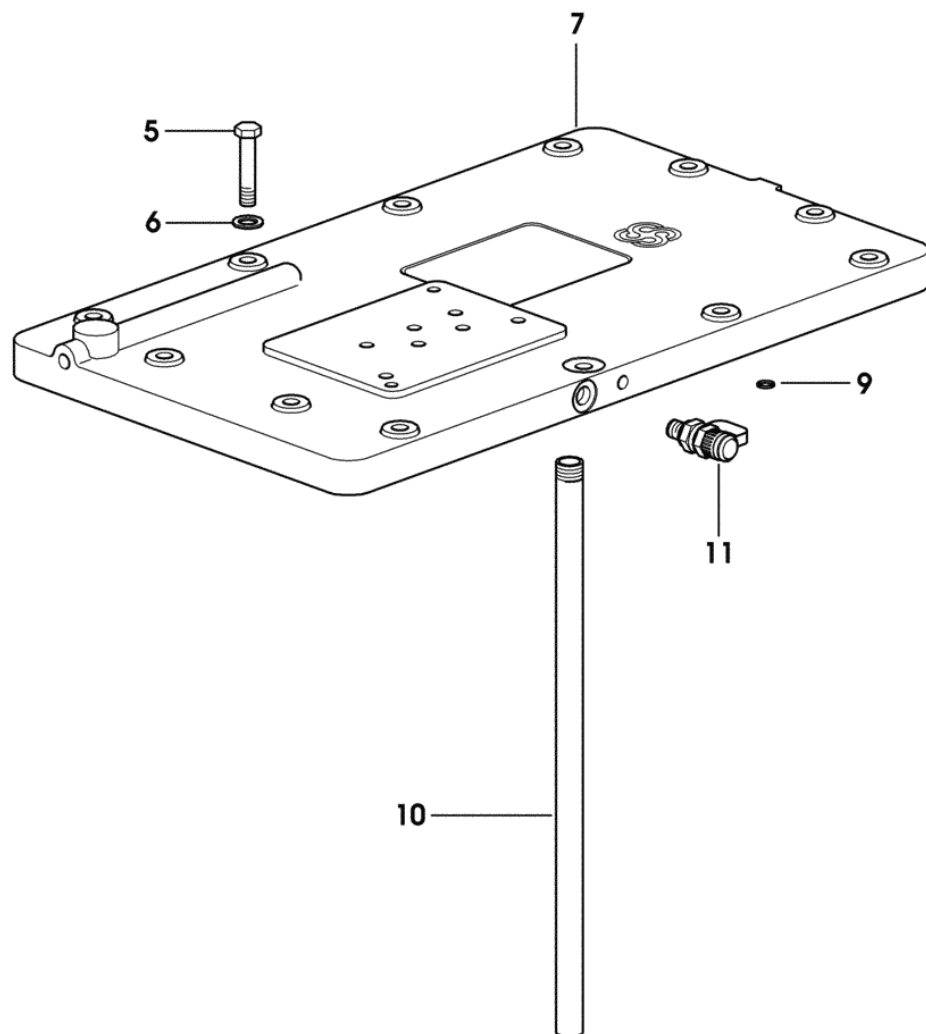


Fig.	Code	QTY	Name
206	2.1589.242.0	0	shim 50.5x58x1.65
214	2.4019.479.1	24	spring 3.6x5.8x1.1x10
215	2.1699.334.0	6	pin 3x33.5
257	2.1589.264.0	0	snoulder 50.5x58x1
260	2.1589.311.0	0	shim 50.5x58x0.80
261	2.1589.312.0	0	shim 50.5x58x0.90

Section: GEAR  
**MANIFOLD PLATE**

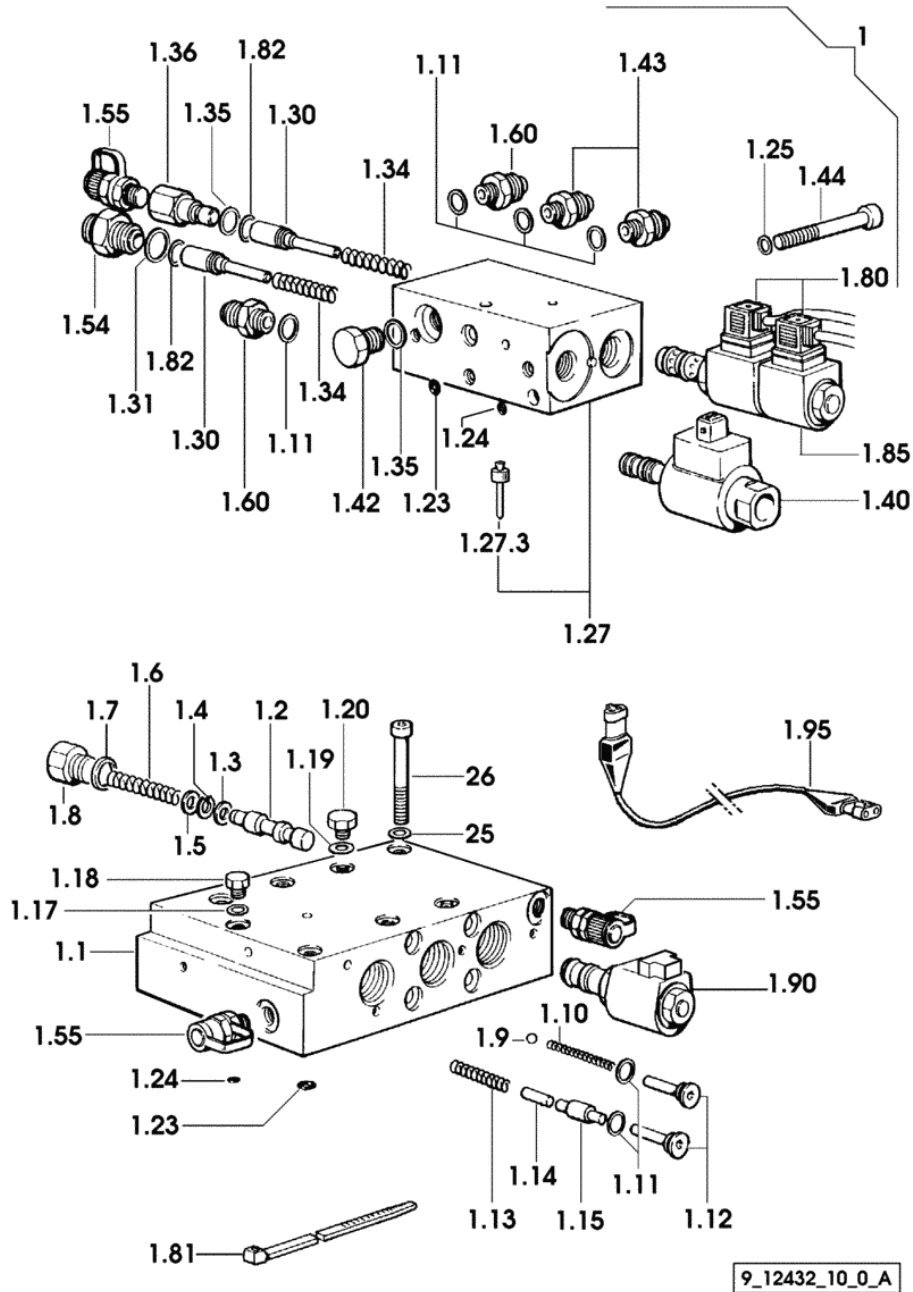
Fig.	Code	QTY	Name
5	2.0112.317.2	12	screw m 10 p.1.5 x 45
6	2.1475.003.7	12	washer 10.5
7	0.010.9929.3/10	1	cover
9	2.1539.148.0	1	'o' ring 8.73 x 1.78
10	0.008.4718.0/10	1	tube
11	2.3729.696.0	5	socket



9\_48832\_09\_0\_0

Section: GEAR  
**CLUTCH CONTROL VALVES**

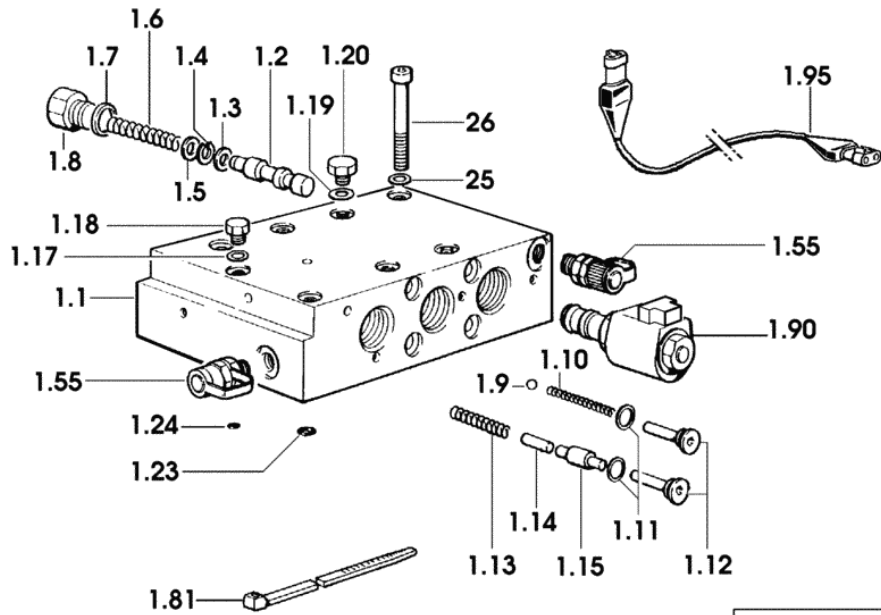
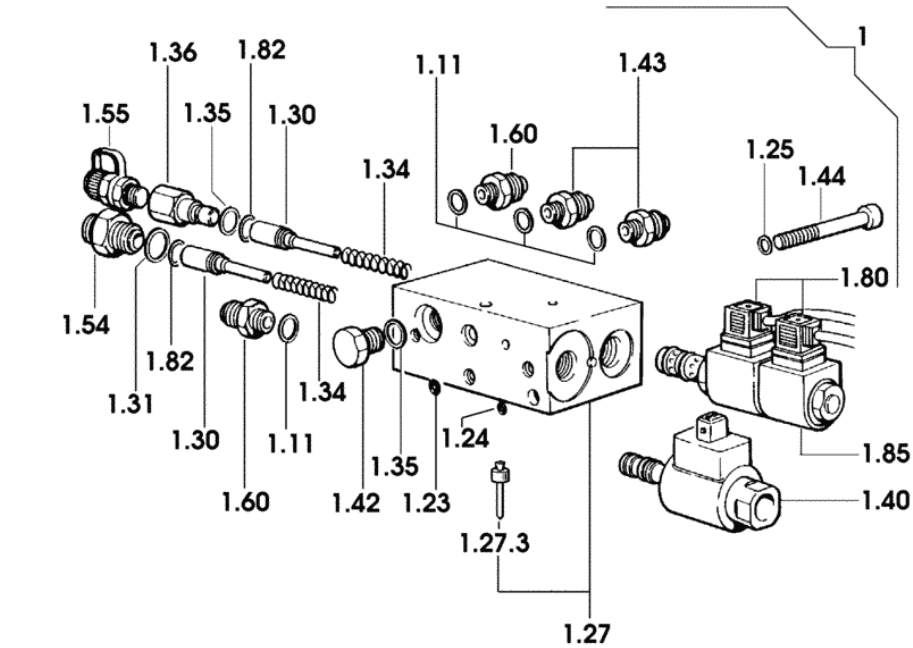
Fig.	Code	QTY	Name
1	0.009.2835.4/80	1	valve
1.1	0.009.2124.3/60	1	valve body
1.2	0.009.0626.0	1	stem
1.3	2.1599.593.2	1	snoulder 9x14x2
1.4	2.1420.002.0	1	circlip a 8
1.5	2.1599.592.2	1	snoulder 9x14x3
1.6	2.4019.433.1/10	1	spring 8.1x10.5x1.2x52
1.7	2.1560.011.0	1	gasket 16.2x20
1.8	2.3199.193.2	1	plug m 16 p.1.5x29
1.9	2.2810.004.0	5	ball 5/16"
1.10	2.4019.432.1/10	5	spring 5.4x6.2x0.4x59
1.11	2.1560.008.0	12	gasket 12.2 x 18
1.12	2.3199.196.2	10	plug m 12 p.1.25x43
1.13	2.4019.451.1/20	5	spring 6.1x9.3x1.6x51
1.14	2.1650.411.0	5	pin 5x25
1.15	0.009.2159.0	5	valve
1.17	2.1560.001.0	1	gasket 6.2x10
1.18	2.3110.427.1	1	plug m 6 p.1 x 10
1.19	2.1560.003.0	5	gasket 8.2 x 12
1.20	2.3110.428.1	5	plug m 8 p.1 x 10
1.23	2.1531.025.0	9	'o' ring 10.82x1.78
1.24	2.1531.012.0	10	'o' ring 6.75 x 1.78
1.25	2.1480.014.1	2	washer 8
1.27	0.009.2835.3/30	1	valve body
1.27.3	2.1890.007.2	1	plug
1.30	0.009.3293.0	2	slider
1.31	2.1560.014.0	1	gasket 18.2 x 24 x 1.5
1.34	2.4019.431.1/30	2	spring 6.9x11.3x2.2x64
1.35	2.1560.010.0	4	gasket 14.2 x 20 x 1.5
1.36	2.3199.221.2/10	1	pipe fitting m 14 p.1.5
1.40	2.3719.510.0/10	1	electro valve EVP
	COMPONENT PARTS SEE COMPONENTS LIST		
	☞ 2.3719.510.0/10		
	☞ 02.00.8		
1.42	2.3119.032.2	1	plug m 14 p.1.5
1.43	2.3339.595.2	2	pipe fitting m 12
1.44	2.0312.224.2	2	screw m 8 p.1.25 x 90
1.54	2.3339.642.2	1	pipe fitting
1.55	0.009.2923.4	3	socket
1.60	2.3339.594.2	2	pipe fitting m 14 p.1.5-3/4
1.80	0.008.0931.3	2	wire
1.81	0.008.0925.0	1	clamp
1.82	2.1531.016.0	2	ring 8.74 x 1.78





Section: GEAR  
**CLUTCH CONTROL VALVES**

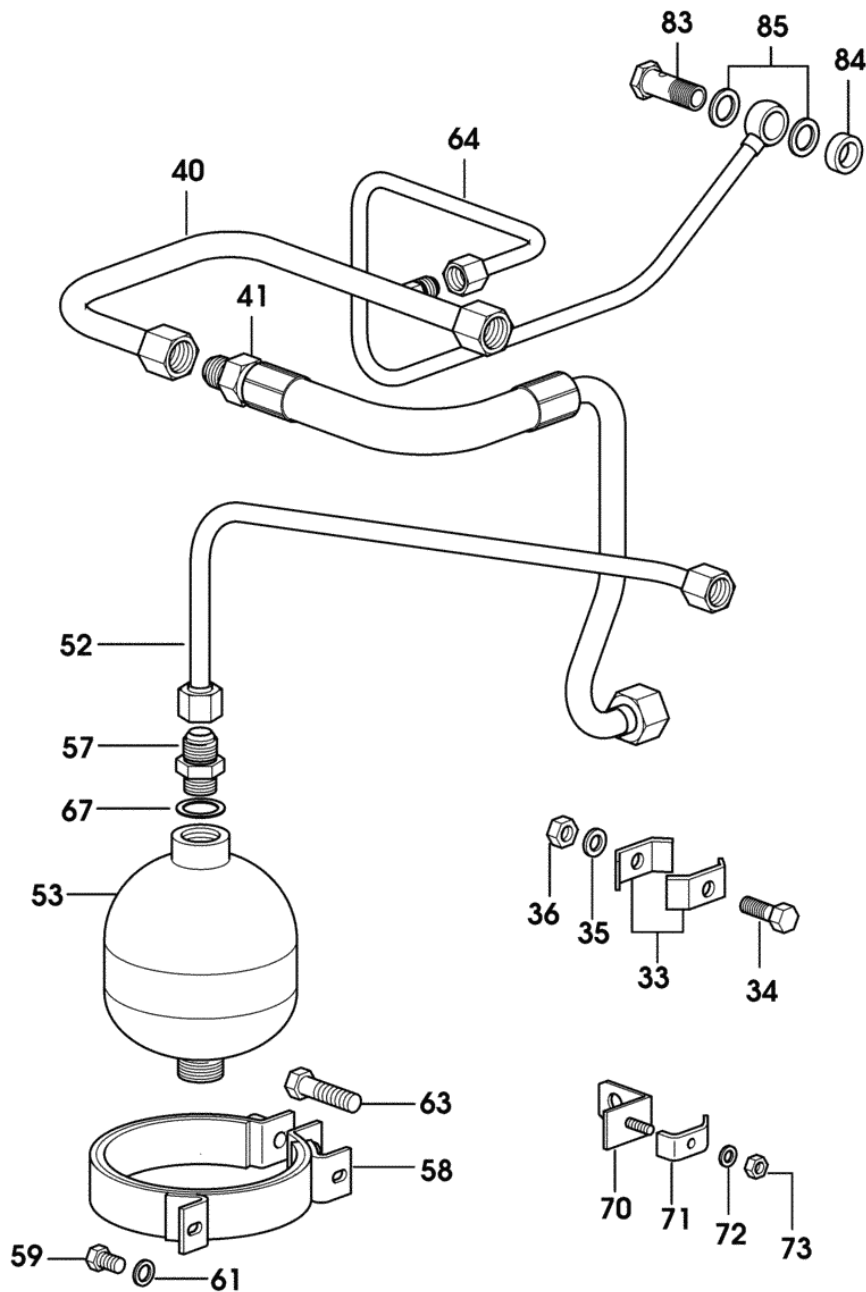
Fig.	Code	QTY	Name
1.85	2.3719.750.0/20	1	electro valve 12 V - 21 W, ON/OFF 4/3 COMPONENT PARTS SEE COMPONENTS LIST ☞ 2.3719.750.0/20 ☞ 02.00.9
1.90	2.3729.240.0/30	6	electro valve 13V - 20W COMPONENT PARTS SEE COMPONENTS LIST ☞ 2.3729.240.0/30 ☞ 02.00.10
1.95	0.007.7899.3	1	wire
25	2.1480.014.1	2	washer 8
26	2.0312.218.2	2	screw m 8 p.1.25 x 60



9\_12432\_10\_0\_A

Section: GEAR  
**CLUTCH CONTROL VALVES**

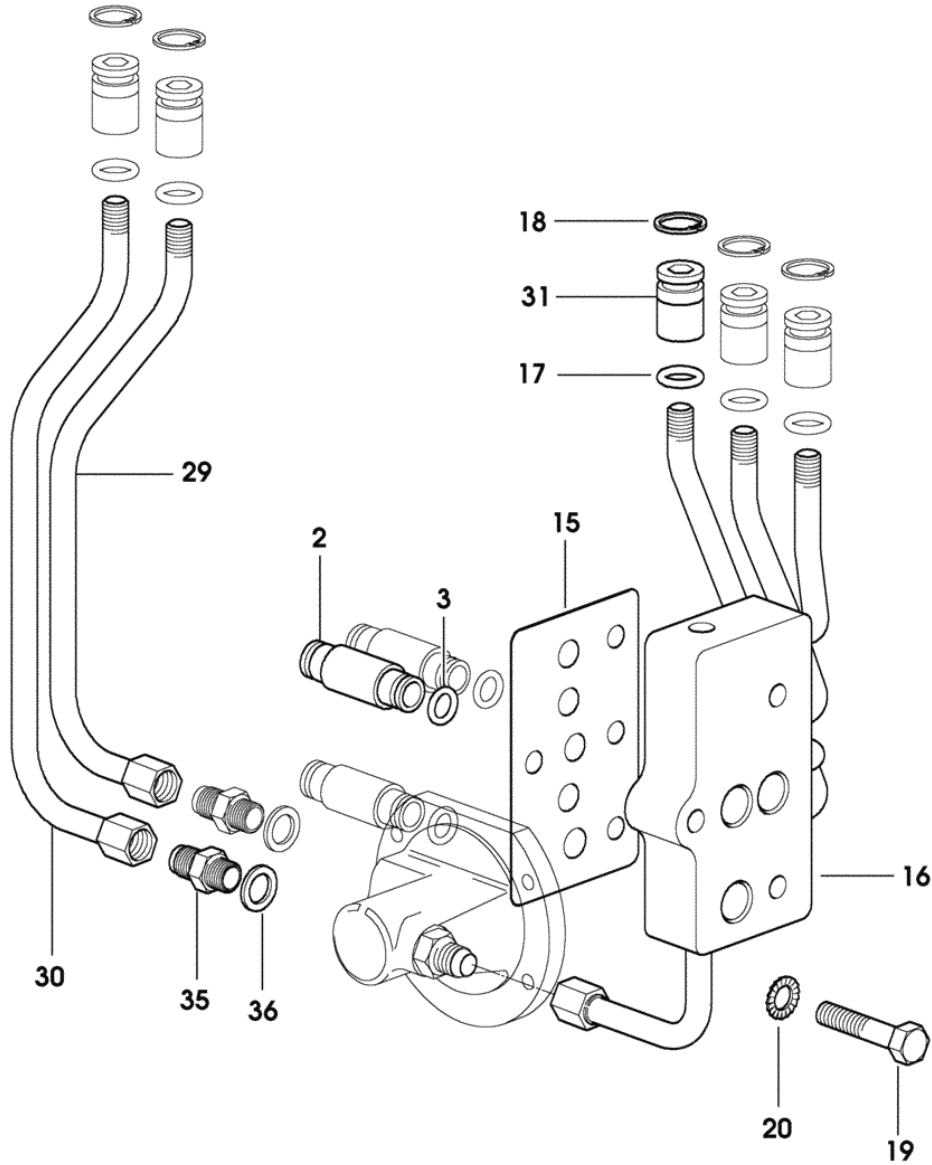
Fig.	Code	QTY	Name
33	0.173.6363.0	2	terminal
34	2.0112.215.2	1	screw m 8 p.1.25 x 40
35	2.1470.004.2	1	washer 8
36	2.1011.005.2	1	nut m 8 p.1.25
40	0.009.2940.3/20	1	tube
41	0.010.1010.3	1	tube
52	0.009.2252.3/40	1	tube
53	0.010.0428.0/10	1	accumulator
57	2.3261.113.2	1	pipe fitting 1/2 gas-3/4"
58	0.010.0800.3	1	clamp
59	2.0112.203.2	2	screw m 8 p.1.25 x 12
61	2.1310.004.2	2	flat washer 8.5
63	2.0112.317.2	1	screw m 10 p.1.5 x 45
64	0.009.2248.3/20	1	tube
67	2.1560.054.0	1	gasket 21 x 26
70	0.009.1836.2	1	bracket
71	0.176.6359.0	1	clamp
72	2.1470.002.2	1	washer 6, d128
73	2.1011.103.2	1	nut m 6 p.1
83	2.3335.055.2	1	pipe union m 18 p.1.5
84	2.1569.158.0	1	gasket 18.2 x 24 x 6.5
85	2.1560.014.0	2	gasket 18.2 x 24 x 1.5



9\_12432\_10\_0\_B

Section: GEAR  
**CONNECTING PIPING**

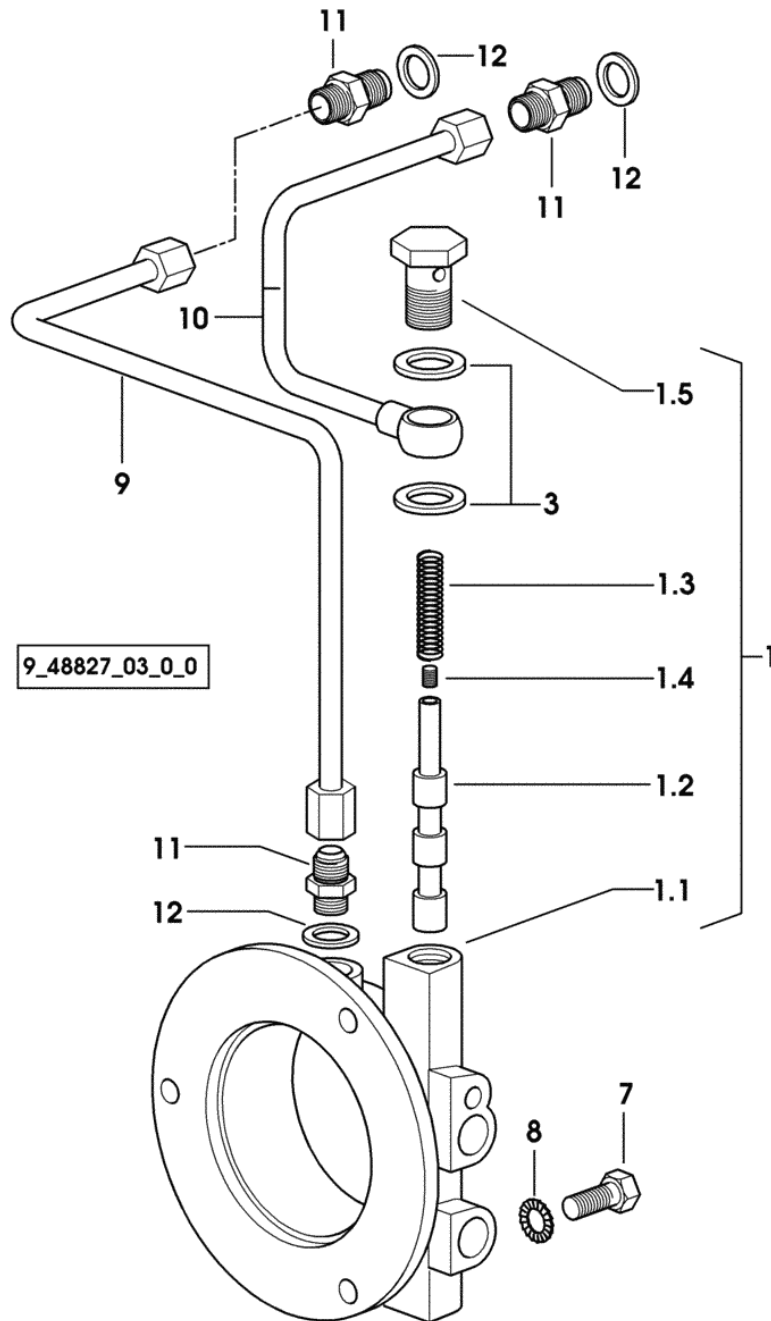
Fig.	Code	QTY	Name
2	0.008.4726.0	3	tube
3	2.1539.071.0	6	'o' ring 11.11x1.78
15	0.008.4488.0/10	1	gasket
16	0.008.4485.3/60	1	manifold
17	2.1539.020.0	5	'o' ring 13.95x2.62
18	2.1420.007.1	5	circlip 18
19	2.0112.215.2	3	screw m 8 p.1.25 x 40
20	2.1470.004.2	3	washer 8
29	0.008.5218.3/30	1	tube
30	0.008.5219.3/30	1	tube
31	2.3339.570.0/10	5	pipe fitting m12x1
35	2.3261.008.2	2	pipe fitting m 16 p.1.5-3/4"
36	2.1560.012.0	2	gasket 16.2 x 22 x 1.5



9\_60027\_01\_0\_0

Section: GEAR  
**MANIFOLD**

Fig.	Code	QTY	Name
1	0.008.5312.4	1	flange
1.1	0.000.0000.1	0	not serviceable
1.2	0.008.5327.0/30	1	piston
1.3	2.4019.571.0	1	spring 8.1x10.5x1.2x44
1.4	2.0599.085.1/10	1	grain m 5 p.0.8x6
1.5	2.3339.602.1/10	1	pipe union m 16 p.1.5
3	2.1560.011.0	2	gasket 16.2x20
7	2.0112.209.2	3	screw m 8 p 1.25 x 25
8	2.1470.004.2	3	washer 8
9	0.008.5464.3/10	1	tube
10	0.008.5330.3/10	1	tube
11	2.3261.004.2	3	pipe fitting m 12 p.1.25-1/2"
12	2.1560.008.0	3	gasket 12.2 x 18



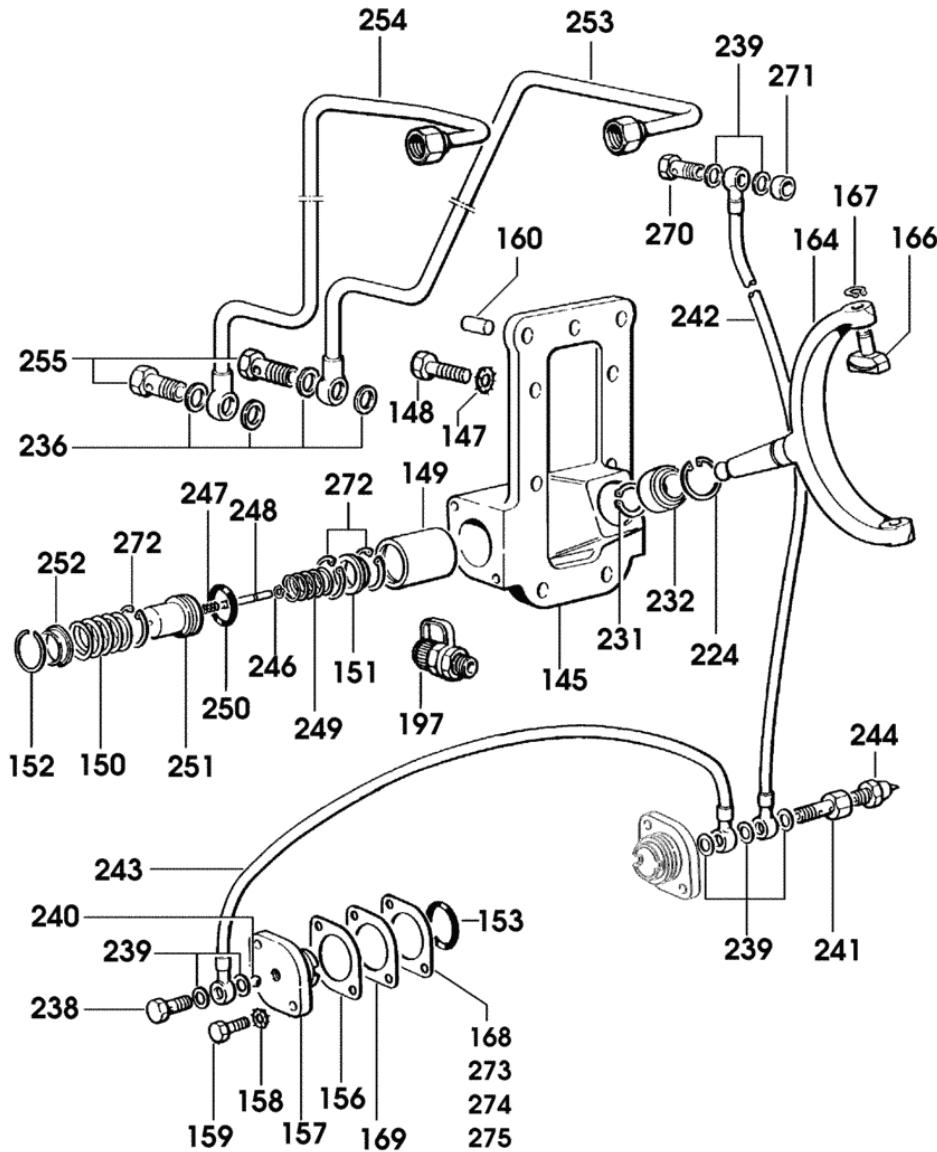
**REVERSING GEAR UNIT CONTROL**

Fig.	Code	QTY	Name
------	------	-----	------

**Notes:**

(...) <- X SILVER 160

145	0.008.5491.0/30	1	cover
147	2.1470.006.2	7	lock washer 10
148	2.0112.315.2	7	screw m 10 p.1.5 x 40
149	0.008.5496.0/10	2	piston
150	2.4019.572.1	2	spring 26.1x32.9x3.4
151	0.008.5497.0	2	cap-washer
152	2.1423.025.0	2	circlip 34x1.5
153	2.1539.153.0	2	'o' ring 32.99x2.6
156	0.008.5494.0	4	shim mm 0.20
157	0.008.5492.0/10	2	cover
158	2.1470.004.2	4	washer 8
159	2.0112.209.2	4	screw m 8 p 1.25 x 25
160	2.1651.911.0	2	cylindrical plug 12 x 24
164	0.008.5417.0/30	1	fork
166	0.010.0669.0	2	shoe
167	2.1410.001.1	2	circlip 10
168	0.008.5495.0	4	shim mm 0.15
169	0.008.5493.0	12	shim mm 0.50
197	0.009.2923.4	2	socket
224	2.1419.072.0	1	ring 31x37.8x1.5
231	2.1410.006.1	1	circlip 20
232	0.008.5451.2	1	joint
236	2.1560.011.0	4	gasket 16.2x20
238	2.3339.600.2/10	1	pipe union m 12 p.1.5
239	2.1560.008.0	6	gasket 12.2 x 18
240	2.2810.004.0	2	ball 5/16"
241	2.3339.621.2/10	1	pipe fitting m 12 p.1.5x13
242	0.011.3338.3	1	tube
243	0.010.5372.3	1	tube
244	2.7099.670.0/10	1	pressure switch 15 bar
246	2.1430.004.0	2	circlip 3.2
247	2.4019.399.1	2	spring
248	0.008.5511.0	2	rod
249	2.4019.573.1	2	spring 11x21x5x55.8
250	2.1539.154.0	2	'o' ring 28.3x1.78
251	0.008.5503.3/10	2	pin
252	0.008.5502.0	2	ring
253	0.008.5510.3/20	1	tube
254	0.008.5509.3/20	1	tube
255	2.3335.007.2	2	pipe union m 16 p.1.5
270	2.3335.052.2	1	pipe union m 12 p.1.5

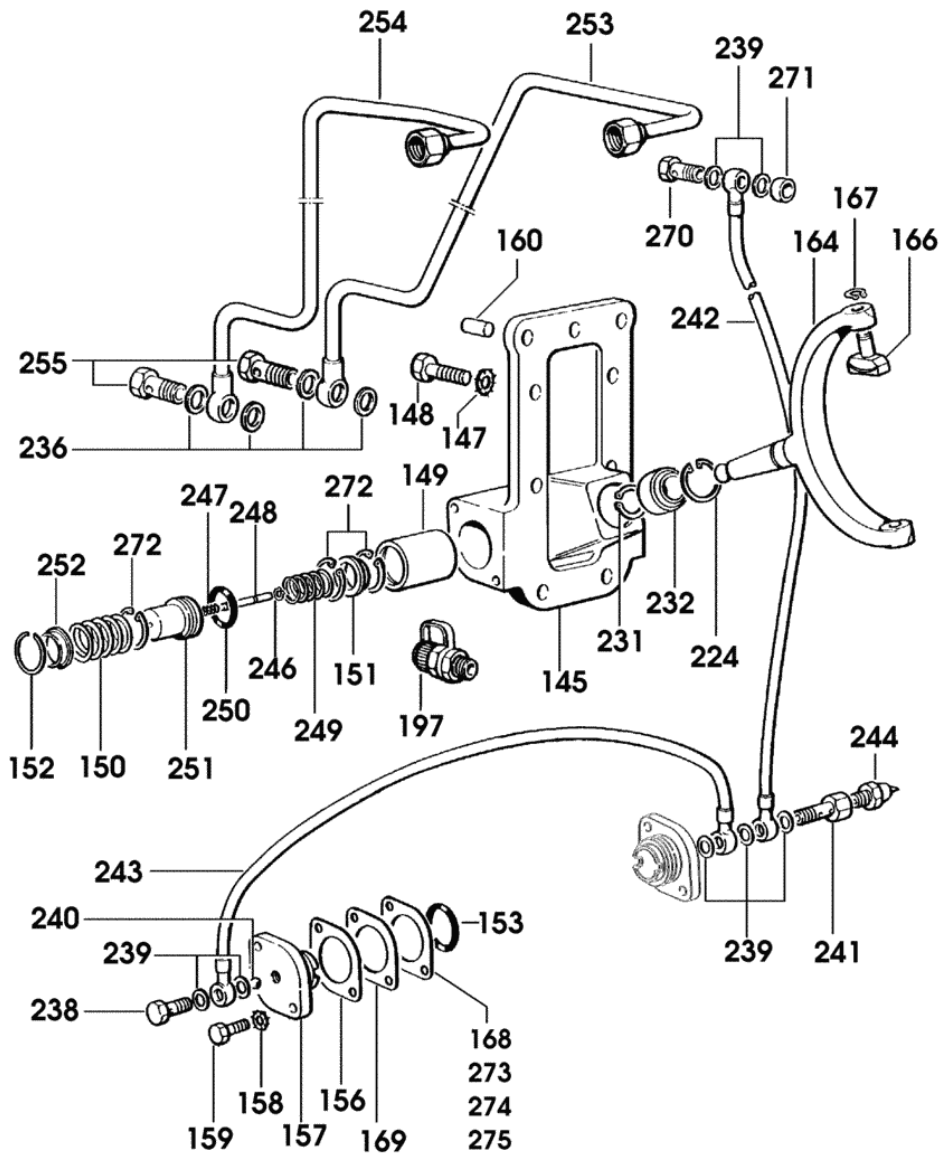


9\_11332\_00\_0\_E

Section: GEAR

**REVERSING GEAR UNIT CONTROL**

Fig.	Code	QTY	Name
271	2.1569.177.0	1	gasket 12x18x6
272	2.1419.097.7	6	ring 29.7x1.5
273	0.011.5383.0	0	shim mm 1.00
274	0.011.5384.0	0	shim mm 1.50
275	0.011.5385.0	0	shim mm 2.00



9\_11332\_00\_0\_E

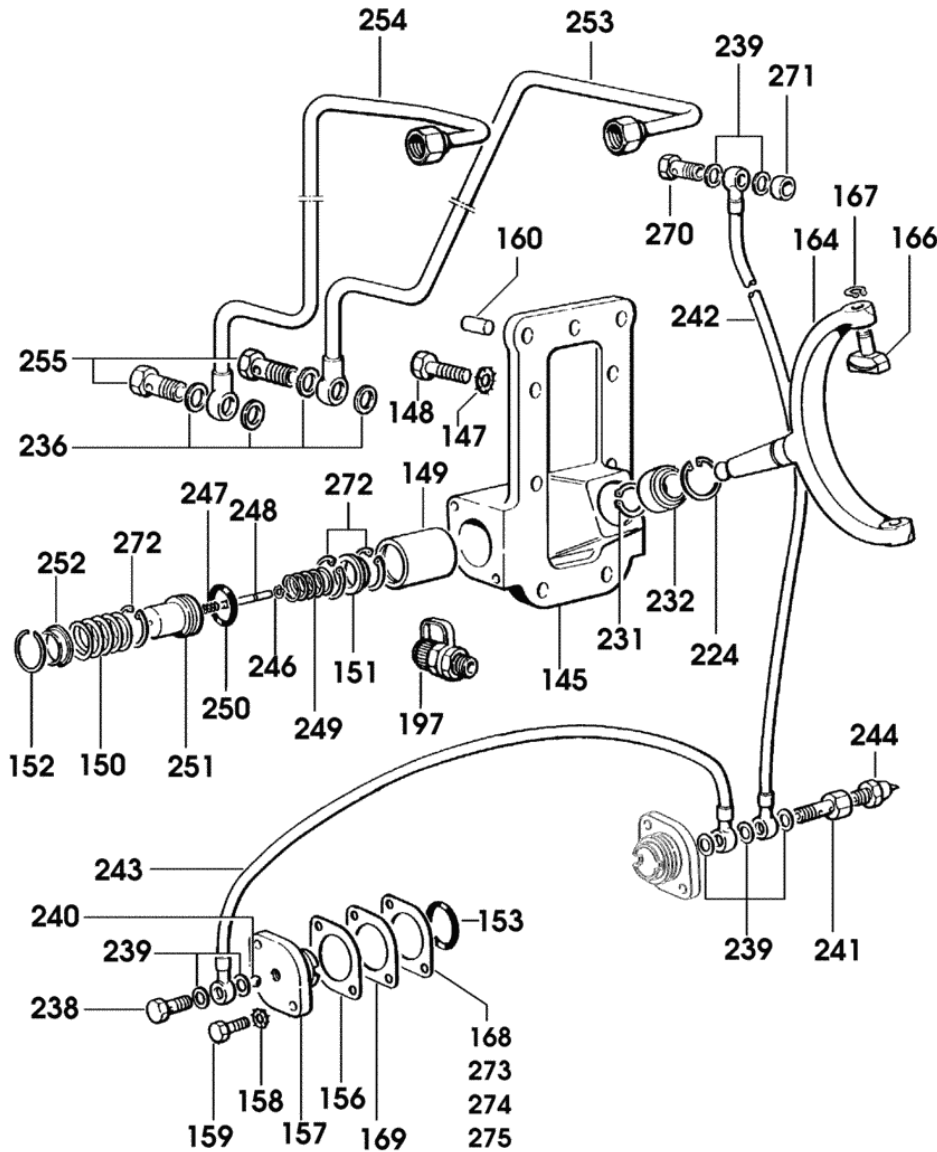
**REVERSING GEAR UNIT CONTROL**

Fig.	Code	QTY	Name
------	------	-----	------

**Notes:**

-> (...) X SILVER 160

145	0.008.5491.0/30	1	cover
147	2.1470.006.2	7	lock washer 10
148	2.0112.313.2	7	screw m 10 p.1.5 x 35
149	0.008.5496.0/10	2	piston
150	2.4019.572.1	2	spring 26.1x32.9x3.4
151	0.008.5497.0	2	cap-washer
152	2.1423.025.0	2	circlip 34x1.5
153	2.1539.153.0	2	'o' ring 32.99x2.6
156	0.008.5494.0	4	shim mm 0.20
157	0.008.5492.0/10	2	cover
158	2.1470.004.2	4	washer 8
159	2.0112.209.2	4	screw m 8 p 1.25 x 25
160	2.1651.911.0	2	cylindrical plug 12 x 24
164	0.008.5417.0/30	1	fork
166	0.010.0669.0	2	shoe
167	2.1410.001.1	2	circlip 10
168	0.008.5495.0	4	shim mm 0.15
169	0.008.5493.0	12	shim mm 0.50
197	0.009.2923.4	2	socket
224	2.1419.072.0	1	ring 31x37.8x1.5
231	2.1410.006.1	1	circlip 20
232	0.008.5451.2	1	joint
236	2.1560.011.0	4	gasket 16.2x20
238	2.3339.600.2/10	1	pipe union m 12 p.1.5
239	2.1560.008.0	6	gasket 12.2 x 18
240	2.2810.004.0	2	ball 5/16"
241	2.3339.621.2/10	1	pipe fitting m 12 p.1.5x13
242	0.011.3338.3	1	tube
243	0.010.5372.3	1	tube
244	2.7099.670.0/10	1	pressure switch 15 bar
246	2.1430.004.0	2	circlip 3.2
247	2.4019.399.1	2	spring
248	0.008.5511.0	2	rod
249	2.4019.573.1	2	spring 11x21x5x55.8
250	2.1539.154.0	2	'o' ring 28.3x1.78
251	0.008.5503.3/10	2	pin
252	0.008.5502.0	2	ring
253	0.008.5510.3/20	1	tube
254	0.008.5509.3/20	1	tube
255	2.3335.007.2	2	pipe union m 16 p.1.5
270	2.3335.052.2	1	pipe union m 12 p.1.5

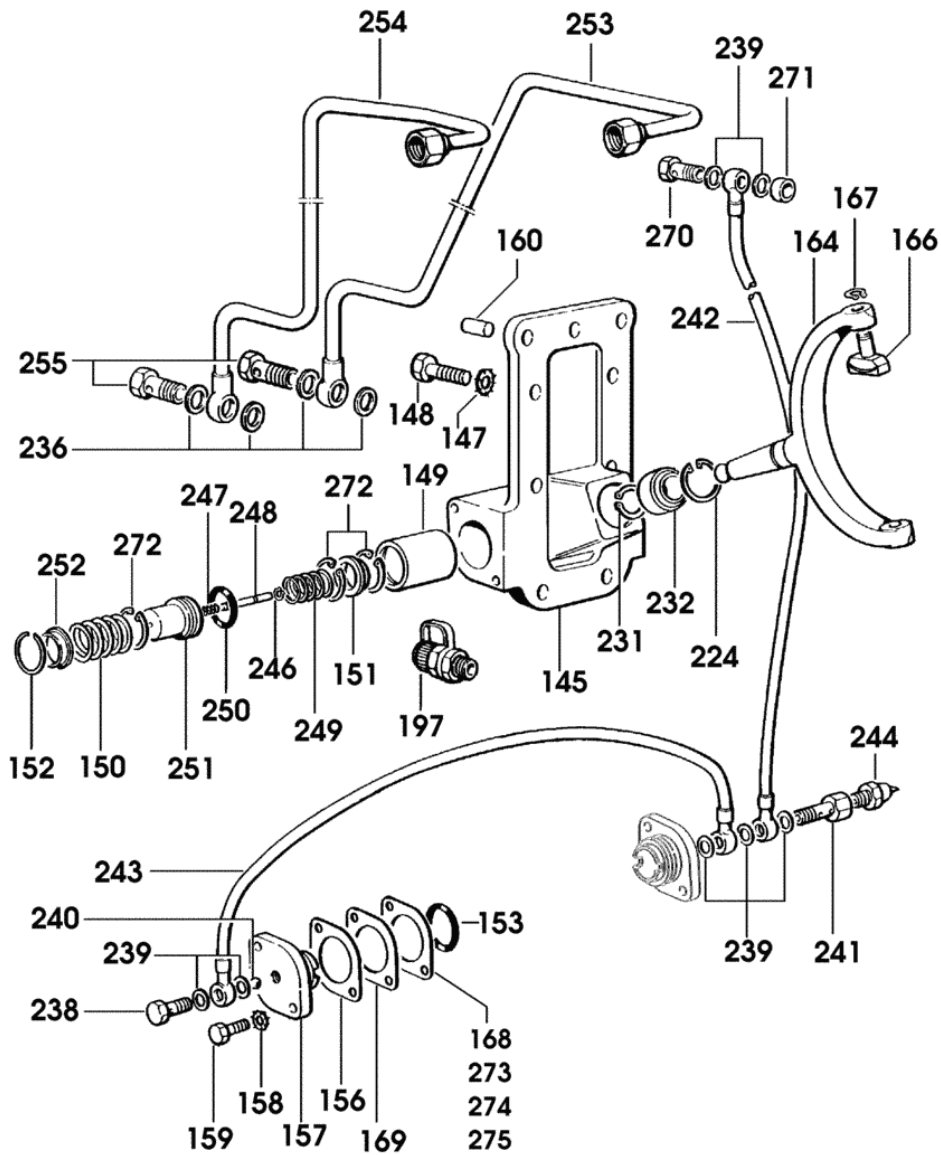


9\_15432\_00\_0\_E

Section: GEAR

**REVERSING GEAR UNIT CONTROL**

Fig.	Code	QTY	Name
271	2.1569.177.0	1	gasket 12x18x6
272	2.1419.097.7	6	ring 29.7x1.5
273	0.011.5383.0	0	shim mm 1.00
274	0.011.5384.0	0	shim mm 1.50
275	0.011.5385.0	0	shim mm 2.00



9\_15432\_00\_0\_E



**GEARSHIFT AND REVERSING GEAR UNIT CONTROL**

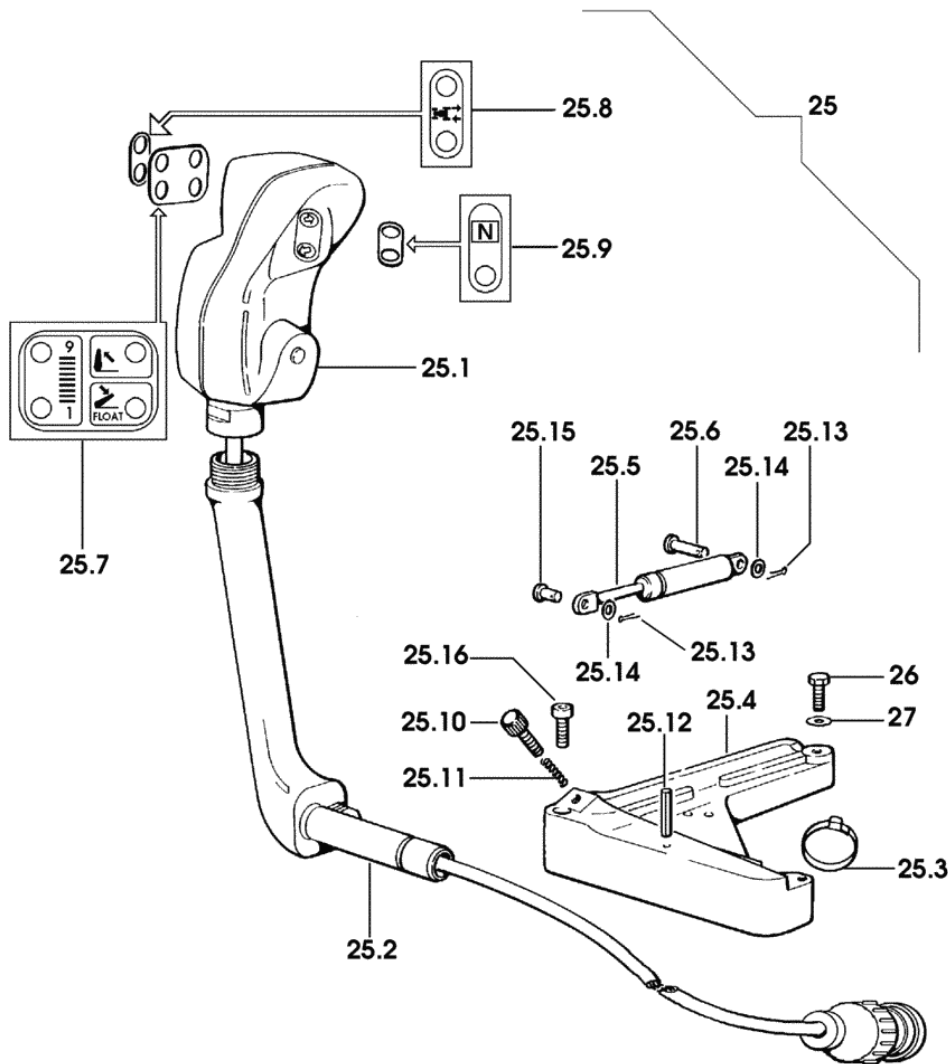


Fig.	Code	QTY	Name
25	0.000.0000.1	0	not serviceable
25.1	0.009.3464.4/10	1	lever
25.2	0.009.2669.3/20	1	tube
25.3	0.98503.67.0	1	clamp
25.4	0.009.3086.0/30	1	support
25.5	0.009.2677.0	1	spring
25.6	2.1671.111.2	1	pin 6x38
25.7	0.009.2652.0	1	plate
25.8	0.009.2655.0/20	1	plate
25.9	0.009.3220.0	1	plate
25.10	2.0169.015.1	1	screw m 6 x 30
25.11	2.4019.363.1	1	spring
25.12	2.1630.413.0	1	roll pin 4.0 x 32
25.13	2.1690.106.2	2	split pin 1.6x16
25.14	2.1310.002.2	2	washer 6.6, d125
25.15	2.1671.101.2	1	pin
25.16	2.0332.407.2	1	screw m 6 x 20
26	2.0112.005.2	3	screw m 6 p.1 x 16
27	2.1312.003.2	3	washer 6

9\_48864\_14\_0\_0

## Section: GEAR

## LOW AND HIGH SPEED RANGE CONTROL

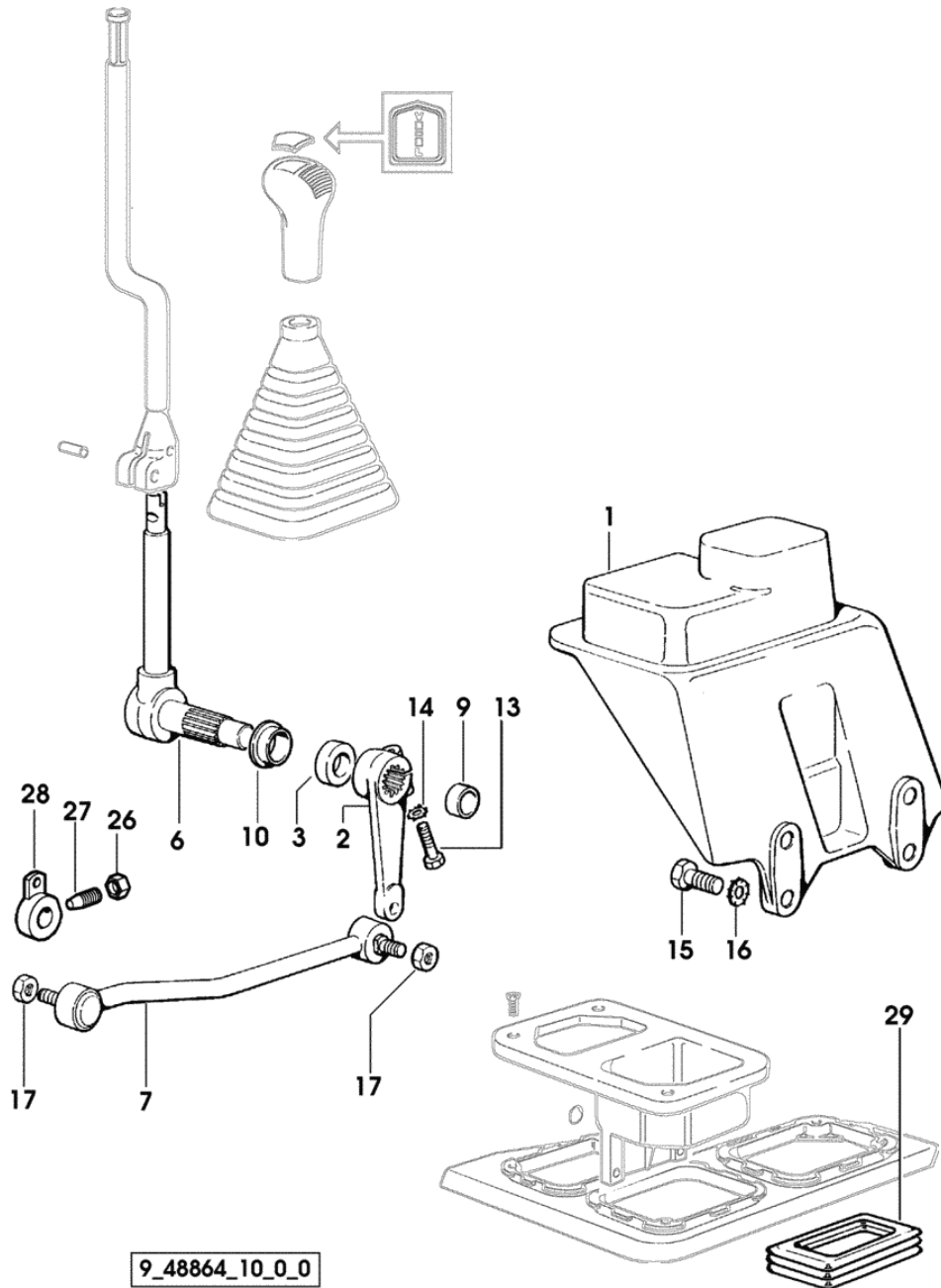
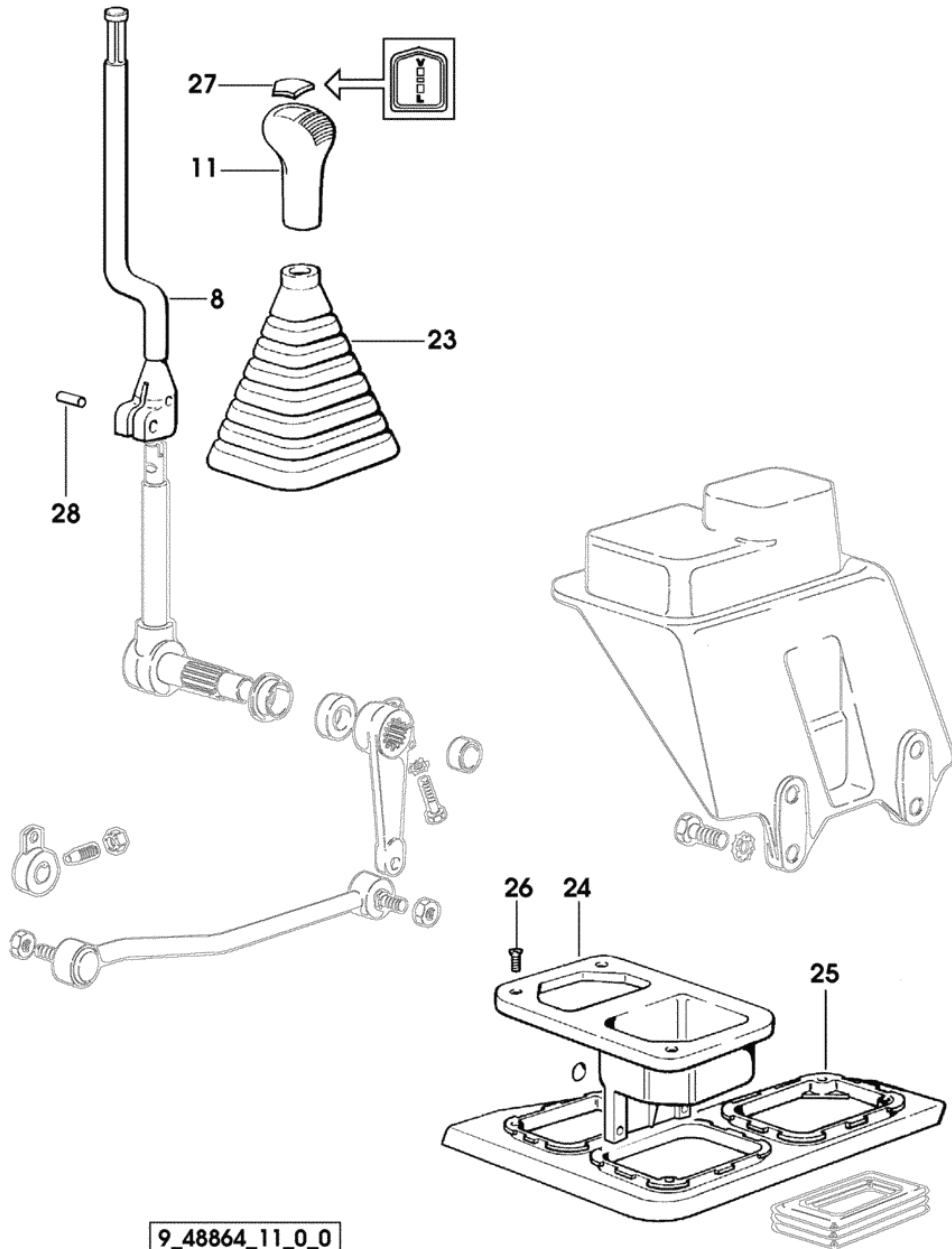


Fig.	Code	QTY	Name
1	0.009.1186.0/40	1	support
2	0.009.1192.0/10	1	lever
3	2.1549.037.2	1	spacer 25x35x10
6	0.009.1189.3/30	1	gear lever
7	0.009.1194.3	1	rod
9	2.1559.257.0	1	bushing 20x23x12
10	2.1559.241.0	1	bushing 25x28x12
13	2.0112.213.2	1	screw m 8 p.1.25 x 35
14	2.1470.004.2	1	washer 8
15	2.0112.413.2	4	screw m 12 p.1.75x35
16	2.1470.007.2	4	lock washer 12
17	2.1120.106.2	2	nut m 10 p.1.25
26	2.1011.406.2	1	nut m 10 p.1
27	2.0399.050.2	1	screw m 10 p.1 x 30
28	0.009.1198.2/10	1	gear lever
29	0.009.0603.0	1	guard

9\_48864\_10\_0\_0

Section: GEAR

**LOW AND HIGH SPEED RANGE CONTROL**

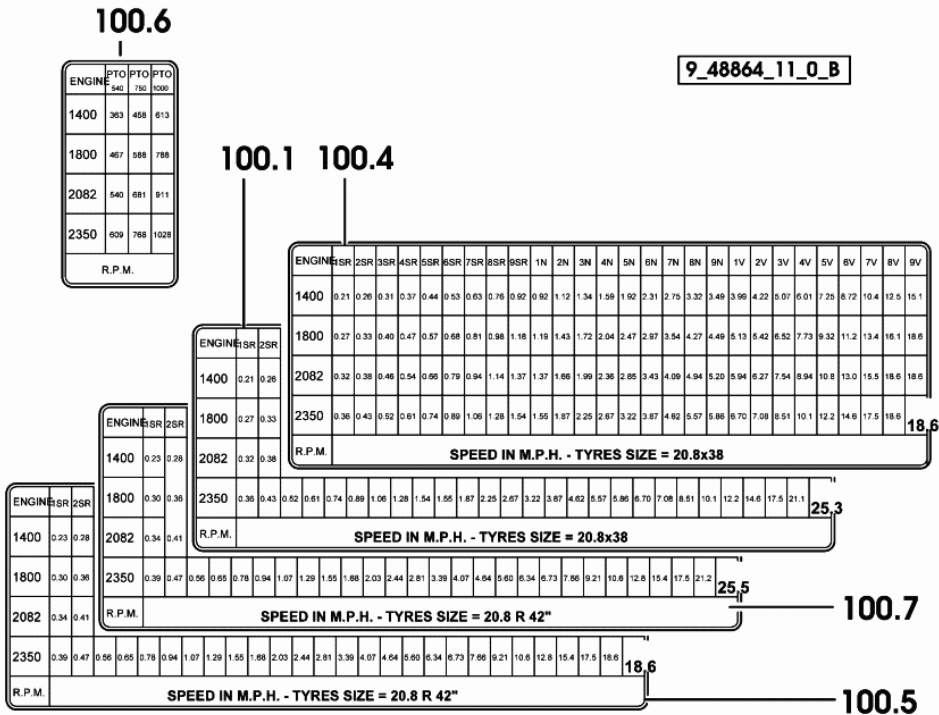
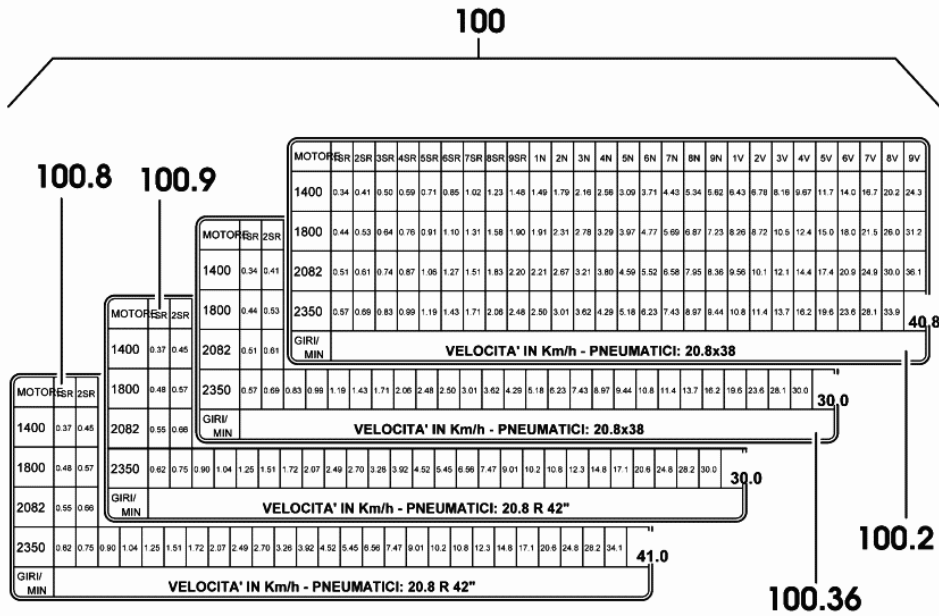


9\_48864\_11\_0\_0

Fig.	Code	QTY	Name
8	0.009.1187.3/20	1	lever
11	0.009.0241.0	1	knob
23	0.008.2826.0	1	guard
24	0.009.1251.0/20	1	plug
25	0.008.2975.0	1	cover
26	2.0351.459.3	5	screw 4.2x32
27	0.009.0229.0	1	cap
28	2.1631.415.2	1	pin 5x32

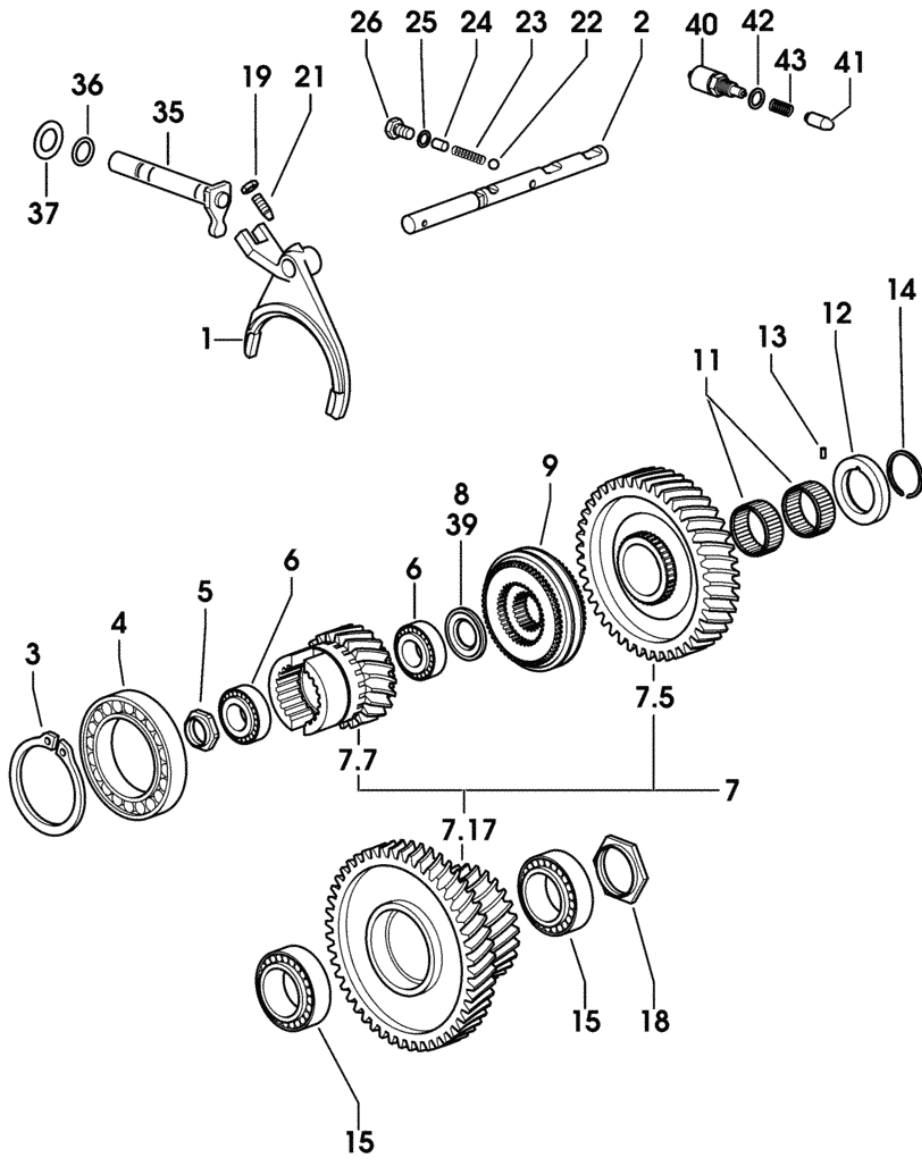
Section: GEAR  
SPEED DATA PLATES

Fig.	Code	QTY	Name
100	0.000.0000.1	0	not serviceable
100.1	2.9929.671.0	1	plate
100.2	2.9929.672.0	1	plate
100.4	2.9929.674.0	1	plate
100.5	2.9929.675.0	1	plate
100.6	2.9929.676.0	1	plate
100.7	2.9929.677.0	1	plate
100.8	2.9929.678.0	1	plate
100.9	2.9929.679.0	1	plate
100.36	2.9929.673.0	1	plate



**SPEED RANGE REDUCTION GEAR UNIT**

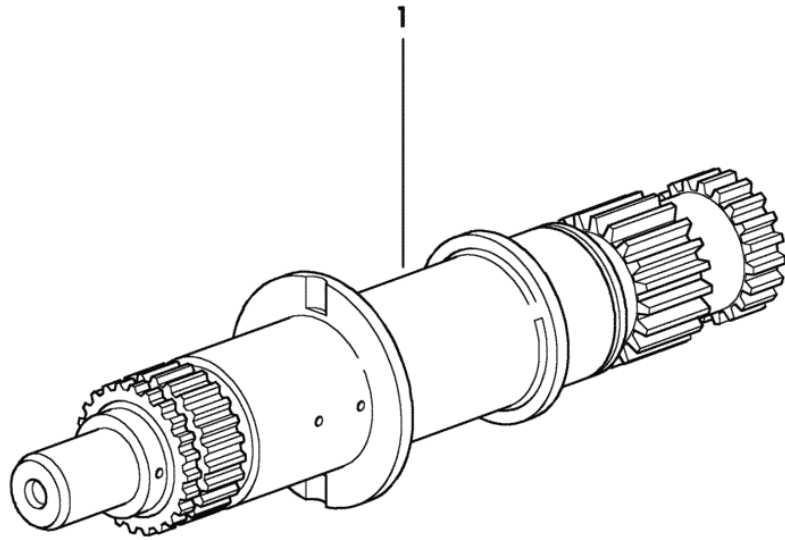
Fig.	Code	QTY	Name
1	0.011.5120.0/10	1	fork
2	0.007.7560.0/30	1	rod
3	2.1410.036.2	1	circlip 90
4	2.2999.384.0	1	bearing 90x140x24
5	2.1219.038.0/40	1	ring nut m 30 p.1.5
6	2.2999.299.0/10	2	bearing
7	0.000.0000.1	0	not serviceable
7.5	0.007.7505.0/40	1	gear Z = 43
7.7	0.007.7507.0/20	1	gear Z = 21
7.17	0.007.7506.0/20	1	gear z = 48 - z = 26
8	2.1599.758.0	0	shoulder
9	0.008.5676.4/20	1	lock synchronizer Ø 90 mm
			COMPONENT PARTS SEE COMPONENTS LIST
			☞ 0.008.5676.4/20
			☞ 02.00.11
11	2.2999.224.0	2	roller cage 50x58x25
12	2.1599.590.0/30	1	shoulder 50x11.5
13	2.1650.404.0	1	pin 5x10
14	2.1429.043.0	1	circlip 46
15	2.2511.009.0	2	roller bearing 55x90x23
18	2.1219.044.0/10	1	ring nut m 55 p.2
19	2.1011.406.2	1	nut m 10 p.1
21	2.0399.050.2	1	screw m 10 p.1 x 30
22	2.2810.007.0	1	ball 13/32"
23	2.4019.622.1	1	spring 6.3 x 9.5 x 1.6 x 22.4
24	0.427.6452.0	1	cap 10x15
25	2.1560.008.0	1	gasket 12.2 x 18
26	2.0112.407.2	1	screw m 12 p.1.75 x 20
35	0.007.7577.2/10	1	lever
36	2.1539.062.0	1	'o' ring
37	2.1599.507.0	1	snoulder
39	2.1599.759.0	1	shoulder
40	2.7659.143.0/10	2	switch
41	2.1699.388.0	2	cap
42	2.1560.010.0	2	gasket 14.2 x 20 x 1.5
43	2.4019.589.1	2	spring



9\_49234\_00\_0\_0

**SPEED RANGE REDUCTION GEAR SHAFT**

Fig.	Code	QTY	Name
1	0.009.6730.0/20	1	shaft



9\_48832\_01\_0\_0

Section: GEAR  
**SUPER REDUCTION GEAR UNIT**

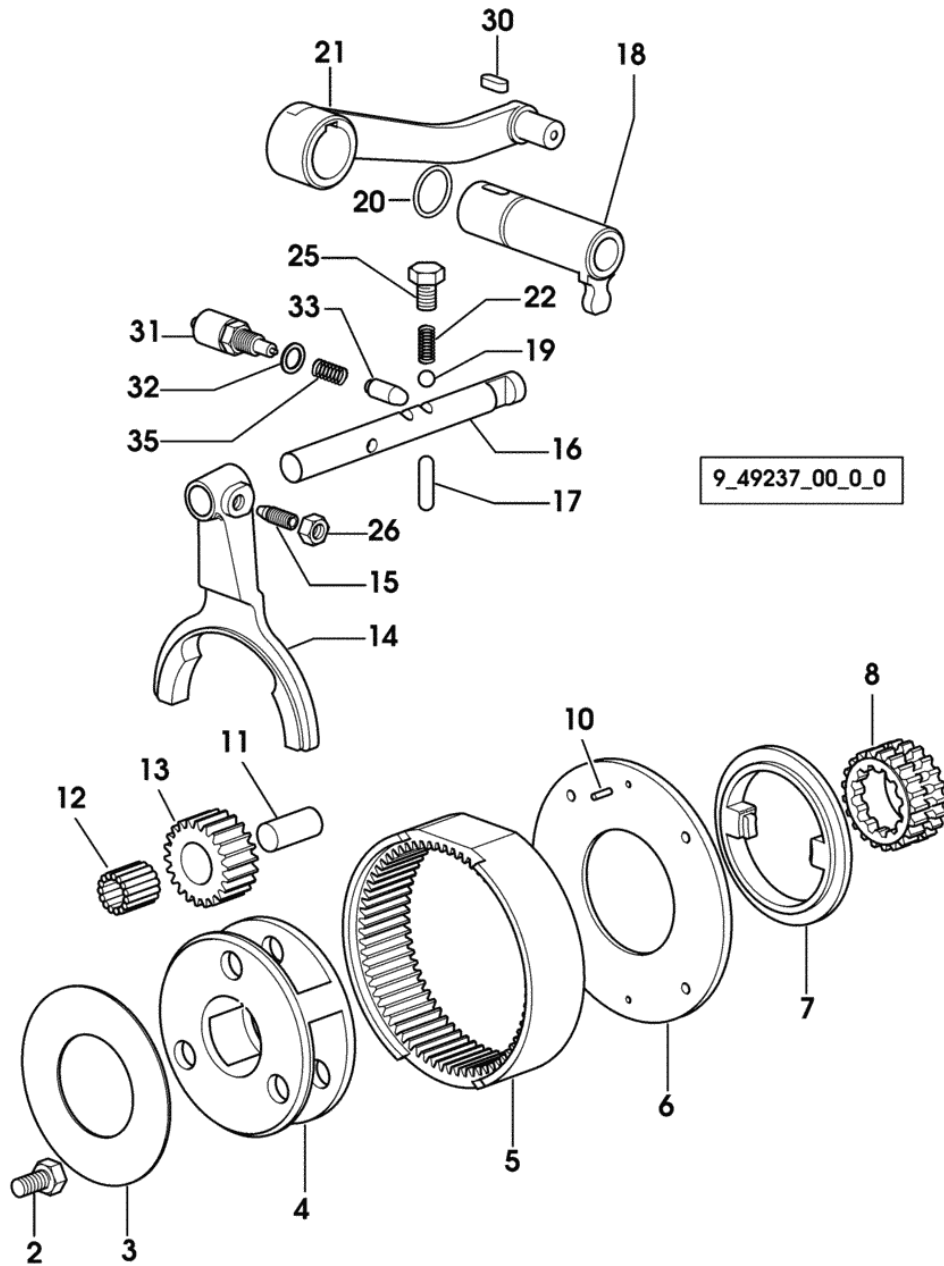


Fig.	Code	QTY	Name
2	2.0133.507.7	6	screw m 12 p.1.5x25
3	2.1589.216.0	1	snoulder 70x135x1.2
4	0.009.6729.0/10	1	spider
5	0.007.7511.0/20	1	crown wheel
6	0.007.7510.0/20	1	snoulder
7	0.008.0248.0	1	ring
8	0.009.6706.0/20	1	sleeve
10	2.1630.406.0	2	roll pin 4 x 12
11	2.1699.300.0/10	3	pin 19.4x41
12	2.2999.404.0	3	roller cage
13	0.009.6731.0/10	3	planet gear Z = 23
14	0.007.7524.0/10	1	fork
15	2.0399.050.2	1	screw m 10 p.1 x 30
16	0.008.4907.0/20	1	rod
17	0.007.7584.0	1	cap
18	0.007.7581.0/20	1	pin
19	2.2810.007.0	1	ball 13/32"
20	2.1539.095.0	1	'o' ring 29.82 x 2.62
21	0.009.2938.0	1	lever
22	2.4019.622.1	1	spring 6.3 x 9.5 x 1.6 x 22.4
25	2.3199.216.1	1	plug m 12 p.1.75
26	2.1011.406.2	1	nut m 10 p.1
30	2.1710.205.0	1	dowel 8x7x20
31	2.7659.143.0/10	1	switch
32	2.1560.010.0	1	gasket 14.2 x 20 x 1.5
33	2.1699.388.0	1	cap
35	2.4019.589.1	1	spring

Section: GEAR  
**CREEPER - CONTROLS**

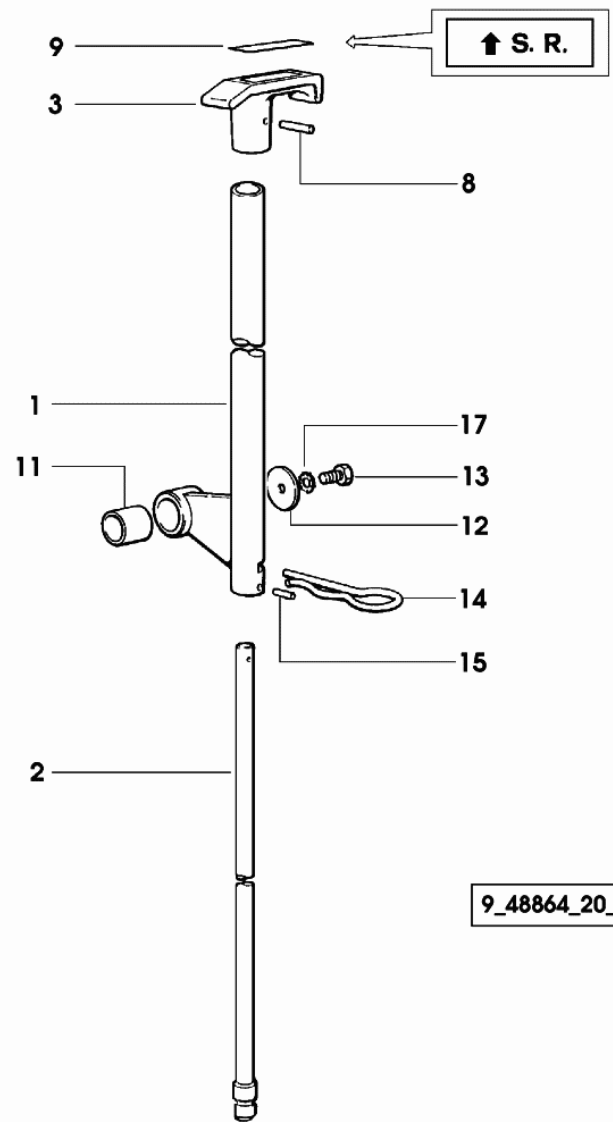


Fig.	Code	QTY	Name
1	0.009.1863.3	1	lever
2	0.009.3454.0	1	rod
3	0.257.6862.0	1	grip
8	2.1630.212.9	1	roll pin 3x28
9	0.009.1616.0	1	plate
11	2.1559.136.0	1	bushing 18x22x24.5
12	2.1599.545.2	1	washer 6.5x28x2
13	2.0112.005.2	1	screw m 6 p.1 x 16
14	2.1699.084.2	1	pin Ø 27
15	2.1630.210.9	1	pin 3 x 20
17	2.1470.002.2	1	washer 6, d128



Section: GEAR  
DIFFERENTIAL

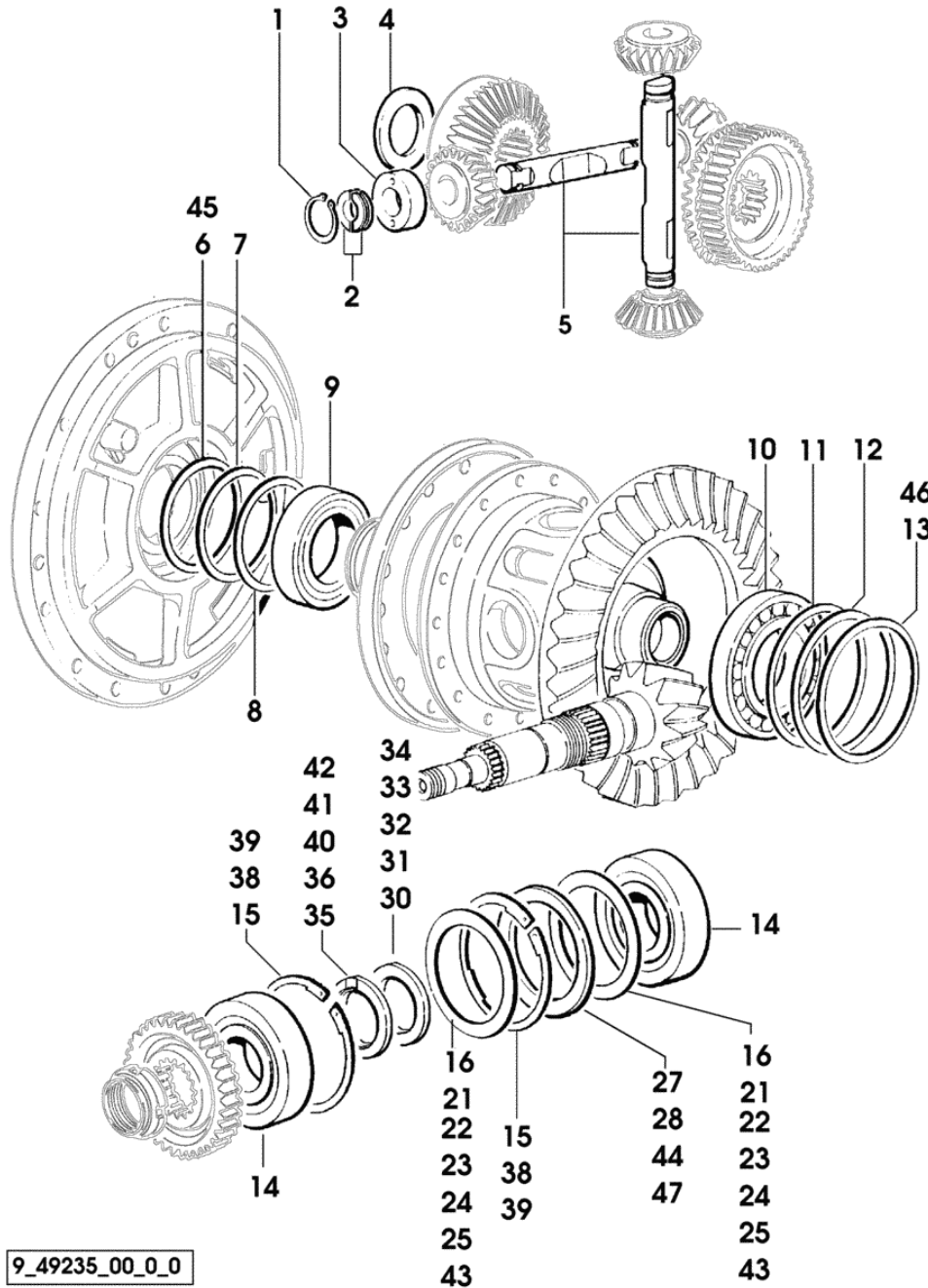


Fig.	Code	QTY	Name
1	2.1410.016.1	4	circlip 40
2	0.233.3551.0	8	snoulder
3	0.264.3550.0/20	4	spacer
4	0.154.3551.0	2	snoulder
5	0.264.3525.3/40	1	pin
6	2.1580.419.0	4	shim 108x124x0.20
7	2.1580.420.0	2	shim 108x124x0.50
8	2.1580.421.0	4	shim 108x124x0.15
9	2.2521.015.0	1	roller bearing 70x125x26.25
10	2.2521.018.0	1	roller bearing 85x150x30.5
11	2.1589.089.0	4	snoulder 130x149x0.10
12	2.1589.090.0	2	snoulder 130x149x0.20
13	2.1589.091.0	4	snoulder 130x149x0.50
14	2.2999.342.0	2	bearing
15	2.1419.074.0	0	circlip 137x3.35
16	2.1589.209.0/10	0	snoulder 105x129.5x1.9
21	2.1589.210.0/10	0	snoulder 105x129.5x1.95
22	2.1589.211.0/20	0	snoulder 105x129.5x2
23	2.1589.212.0/20	0	snoulder 105x129.5x2.05
24	2.1589.213.0/20	0	snoulder 105x129.5x2.10
25	2.1589.214.0/20	0	snoulder 105x129.5x2.15
27	2.1589.244.0/20	0	snoulder 105x129.5x3
28	2.1589.245.0/20	1	snoulder 105x129.5x2.8
30	2.1589.255.0	0	thrust plate 60x63x72x9.8
31	2.1589.256.0	0	thrust plate 60x63x72x9.85
32	2.1589.257.0	0	thrust plate 60x63x72x9.9
33	2.1589.258.0	0	thrust plate 60x63x72x9.95
34	2.1589.259.0	0	thrust plate 60x63x72x10
35	2.1589.260.0	0	thrust plate 60x63x72x10.25
36	2.1589.261.0	0	thrust plate 60x63x72x10.5
38	2.1419.075.0	0	circlip 137x3.30
39	2.1419.076.0	0	circlip 137x3.25
40	2.1589.265.0	0	thrust plate 60x63x72x10.025
41	2.1589.266.0	0	thrust plate 60x63x72x10.275
42	2.1589.267.0	0	thrust plate 60x63x72x10.525
43	2.1589.305.0	0	snoulder 105x129.5x2.2
44	2.1589.306.0	0	snoulder 105x129.5x3.2
45	2.1580.432.0	2	snoulder 108x124x0.1
46	2.1580.433.0	2	snoulder 130x149x0.15
47	2.1589.476.0	0	shim 105x129.5x2.9

9\_49235\_00\_0\_0

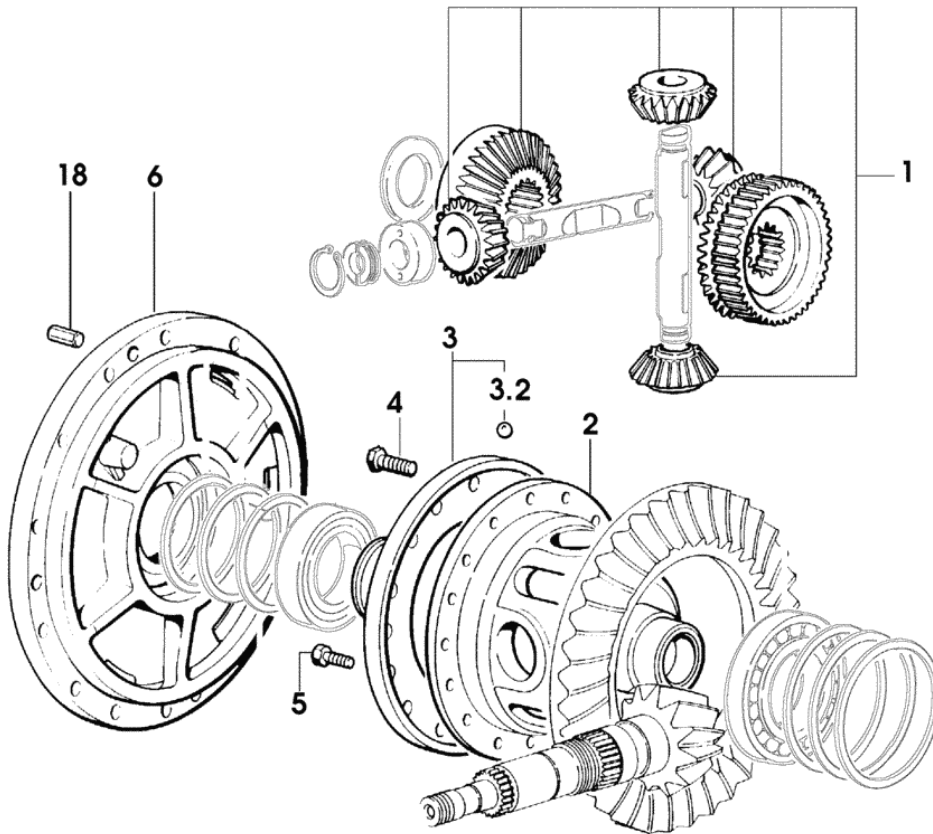
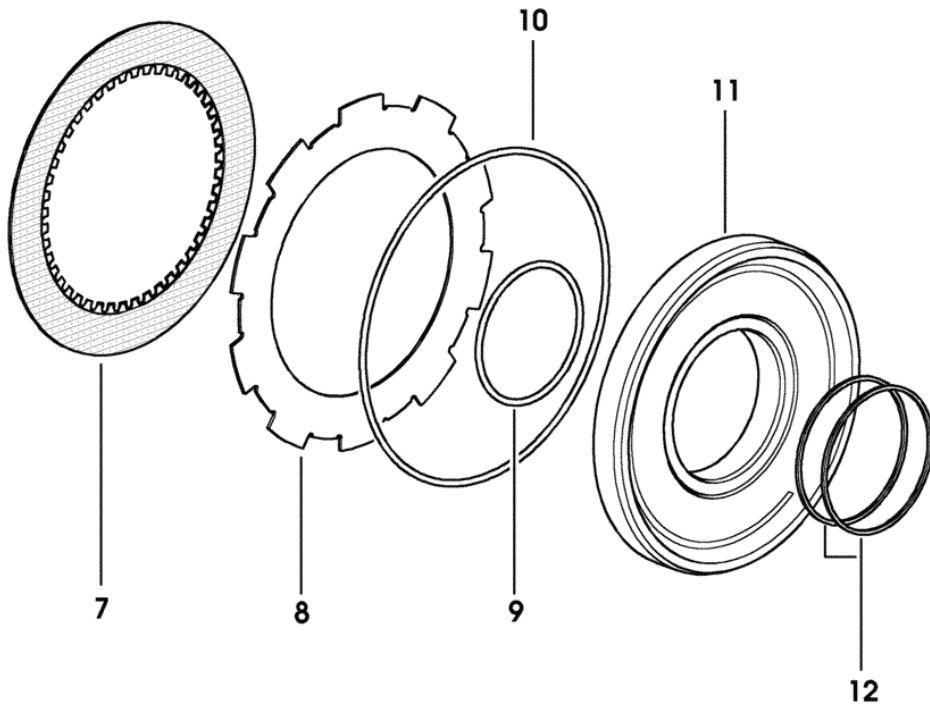
Section: GEAR  
DIFFERENTIAL

Fig.	Code	QTY	Name
1	0.005.8257.3/20	1	planet gear
2	0.005.8254.0/30	1	half box
3	0.005.8258.3/20	1	half box
3.2	2.2999.087.0	1	ball 3/16"
4	2.0139.013.1	16	screw m 12 p.1.25x45 (...) <- X SILVER 160 (...) <- X SILVER 180
4	2.0133.511.7	16	screw m 12 p.1.5x45 -> (...) X SILVER 160 -> (...) X SILVER 180
5	2.0112.209.2	2	screw m 8 p 1.25 x 25
6	0.007.7564.0/30	1	flange dx/rh/re
18	2.1699.354.0	4	pin 14x37

9\_49235\_01\_0\_A

Section: GEAR  
**DIFFERENTIAL**

Fig.	Code	QTY	Name
7	0.005.8252.2	8	disc
8	0.005.8253.0	8	disc
9	2.1539.101.0	1	'o' ring 78.97x3.53
10	2.1539.102.0	1	'o' ring 190.1x3.53
11	0.005.8256.0/10	1	piston
12	2.1569.153.0	2	gasket 85x2x2

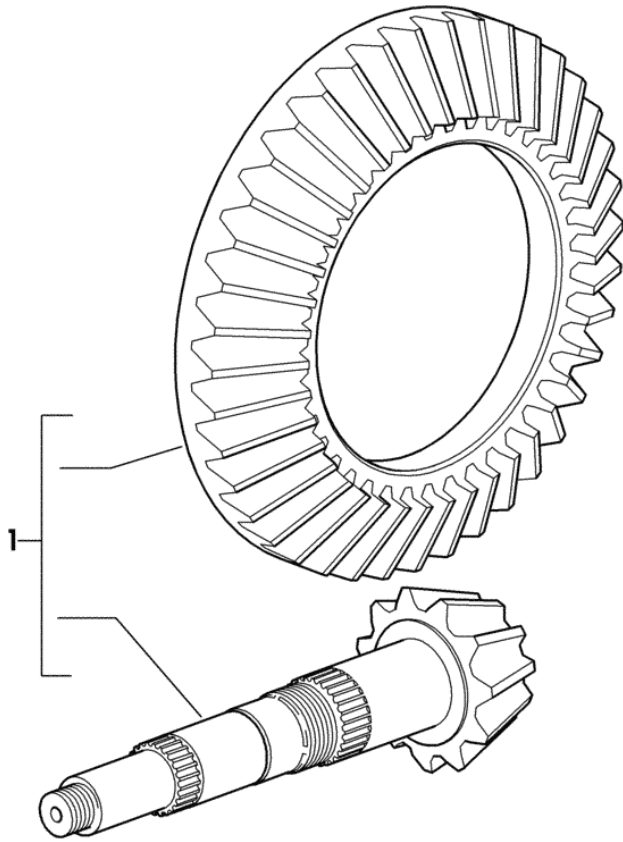


9\_49235\_01\_0\_B

Section: GEAR

**BEVEL WHEEL GEAR**

Fig.	Code	QTY	Name
1	0.007.7501.3/50	1	bevel gear 3612 <- X SILVER 160 1719 <- X SILVER 180
1	0.011.9053.3/10	1	bevel gear -> 3613 X SILVER 160 -> 1720 X SILVER 180



9\_49235\_04\_0\_0

# SILVER 160

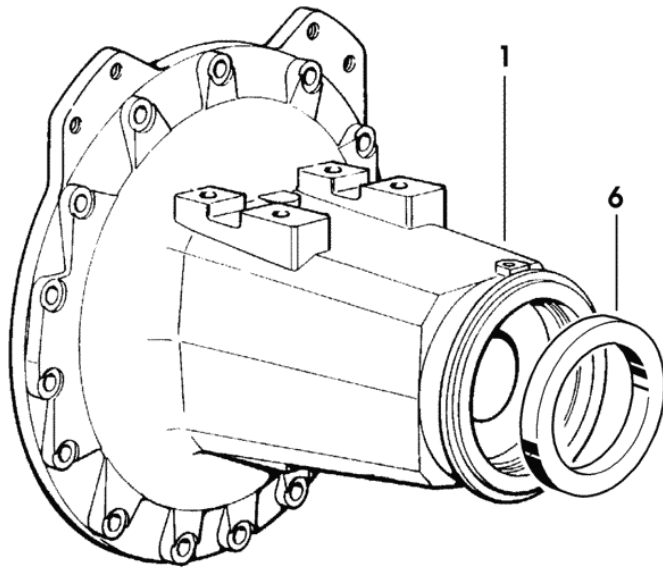
## REAR AXLE

### GENERAL

REAR AXLE.....	03.00.1
HANDBRAKE BRACKET FOR TRAILER.....	03.00.2
REAR AXLE - MOUNTINGS.....	03.00.3
REAR REDUCTION GEARS AND AXLE SHAFTS.....	03.00.4
REAR REDUCTION GEARS AND AXLE SHAFTS.....	03.00.5
REAR REDUCTION GEARS AND AXLE SHAFTS.....	03.00.8
EXTENDIBLE AXLE SHAFT.....	03.00.9
REAR BRAKES.....	03.00.10
REAR BRAKES.....	03.00.11
BRAKE CONTROLS.....	03.00.12
OIL RESERVOIR.....	03.00.13
BRACKET.....	03.00.14
HAND BRAKE.....	03.00.15
INDEPENDENT HAND BRAKE.....	03.00.16
4WD - INDEPENDENT HAND BRAKE.....	03.00.18

**REAR AXLE**

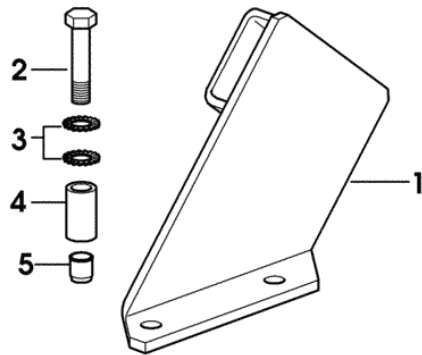
Fig.	Code	QTY	Name
1	0.011.2725.0/30	2	wheel support
6	2.1569.083.0	2	gasket 140x170



9\_49244\_10\_0\_0

**HANDBRAKE BRACKET FOR TRAILER**

Fig.	Code	QTY	Name
1	0.257.7667.2	1	brake support
2	2.0112.320.2	2	screw m 10 p.1.5 x 55
3	2.1470.006.2	2	lock washer 10
4	2.1579.795.2	2	spacer 11.4x17.2x30
5	2.1142.006.2	2	insert m 10

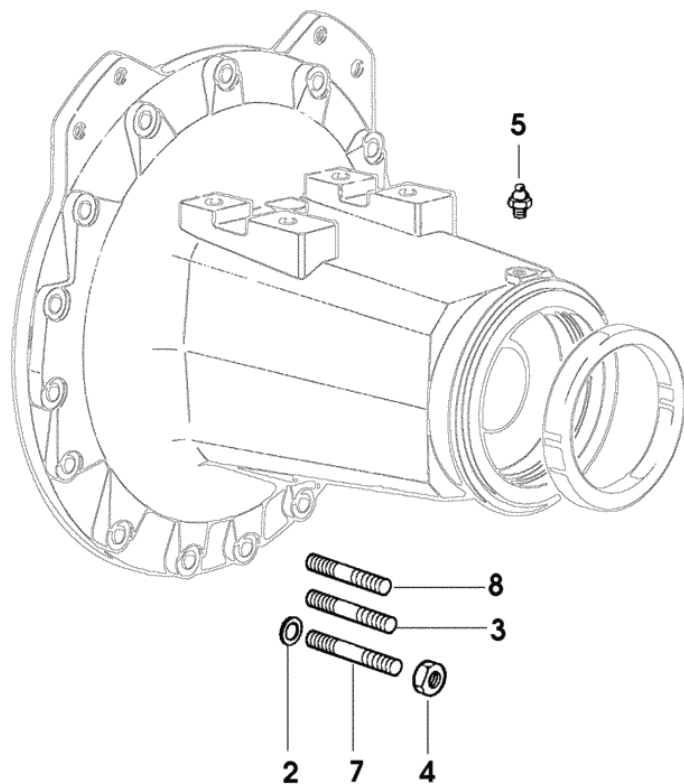


9\_52644\_20\_0\_0

Section: REAR AXLE

**REAR AXLE - MOUNTINGS**

Fig.	Code	QTY	Name
2	2.1475.005.7	30	washer 14
3	2.0432.326.7	25	stud bolt m 14 p.2-1.5x110
4	2.1011.308.2	30	nut m 14 p.1.5
5	2.3820.105.2	2	lubricator m 10 p.1 x 7
7	2.0432.328.7	3	stud bolt m 14 p.2-1.5x130
8	2.0432.325.7	2	stud bolt m 14 p.2-p1.5x100

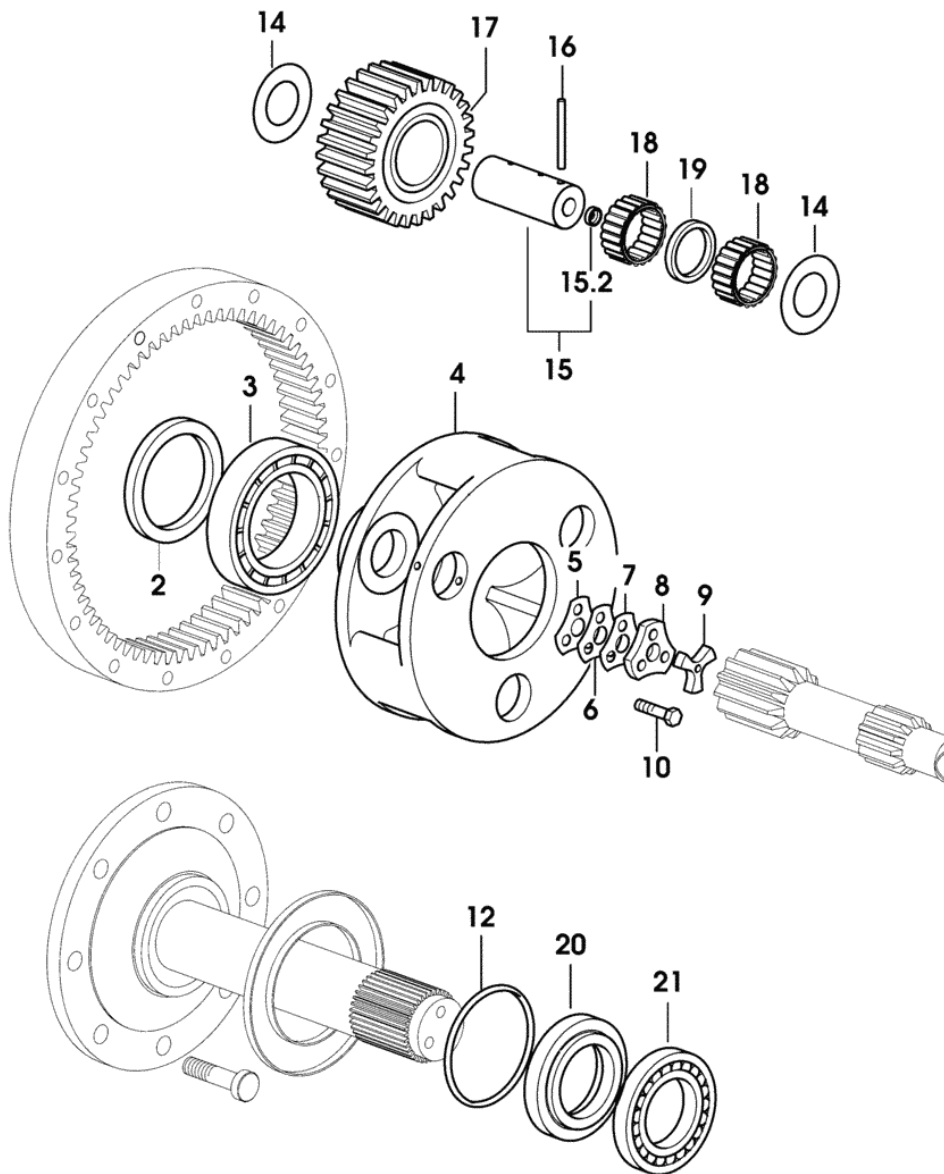


9\_49244\_00\_0\_0



**REAR REDUCTION GEARS AND AXLE SHAFTS**

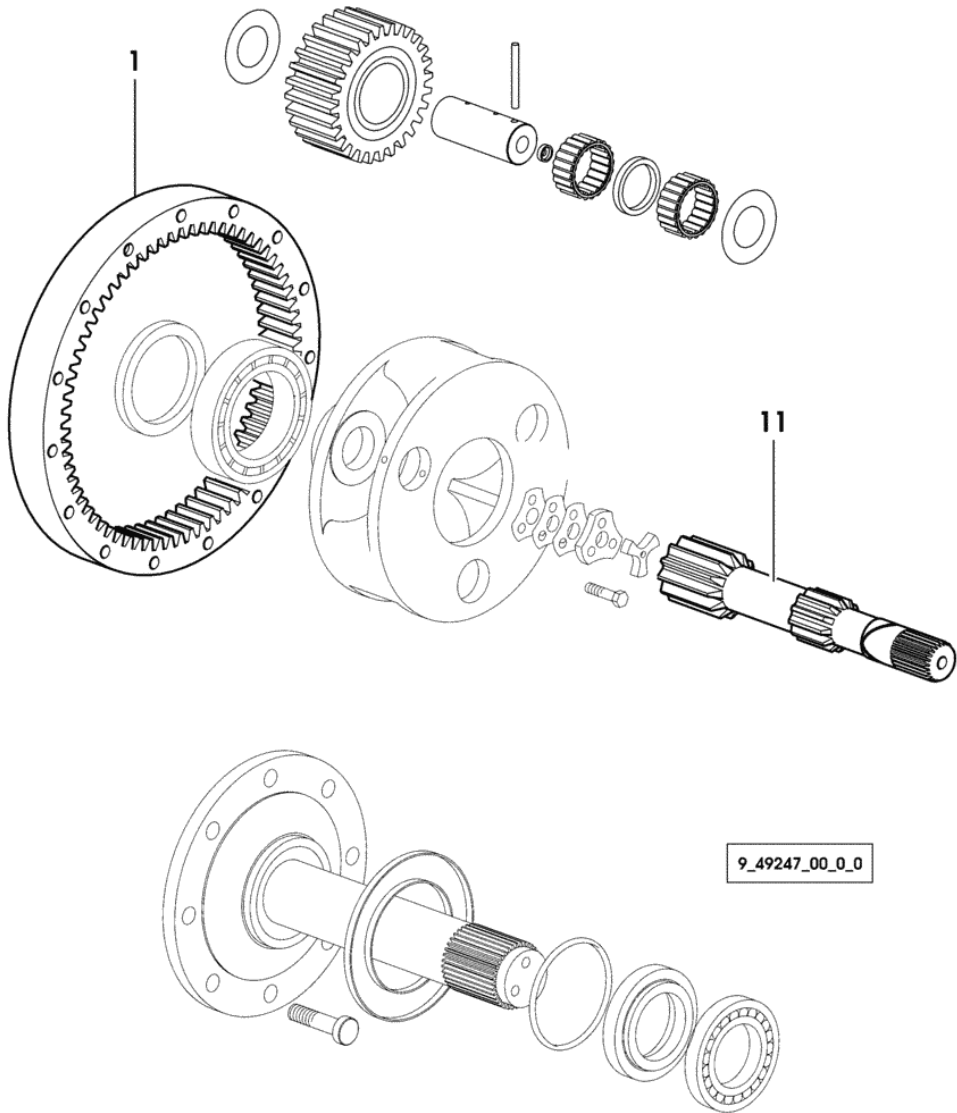
Fig.	Code	QTY	Name
2	2.1529.056.0/10	2	'o' ring Ø 110/140 x13
3	2.2511.020.0	2	roller bearing 110x170x36
4	0.257.4741.0/20	2	spider
5	0.212.4765.0	4	shim mm 1.00
6	0.212.4755.0	4	shim mm 0.20
7	0.212.4753.0	4	shim mm 0.15
8	0.212.4752.0/20	2	flange
9	0.212.4751.0	2	spacer
10	2.0139.031.7	6	screw m 12 p.1.25x60
12	2.1532.171.0	2	'o' ring 72.39x5.34
14	2.1599.338.0	12	snoulder
15	0.257.4725.3/10	6	pin
15.2	2.3179.010.4	2	plug 20
16	2.1630.722.0	6	roll pin 8x90
17	0.257.4724.0/20	6	planet gear
18	2.2999.192.0	12	roller cage
19	2.1579.819.0	6	spacer
20	0.007.7633.0/10	2	spacer
21	2.2521.018.0	2	roller bearing 85x150x30.5



9\_49247\_10\_0\_0

**REAR REDUCTION GEARS AND AXLE SHAFTS**

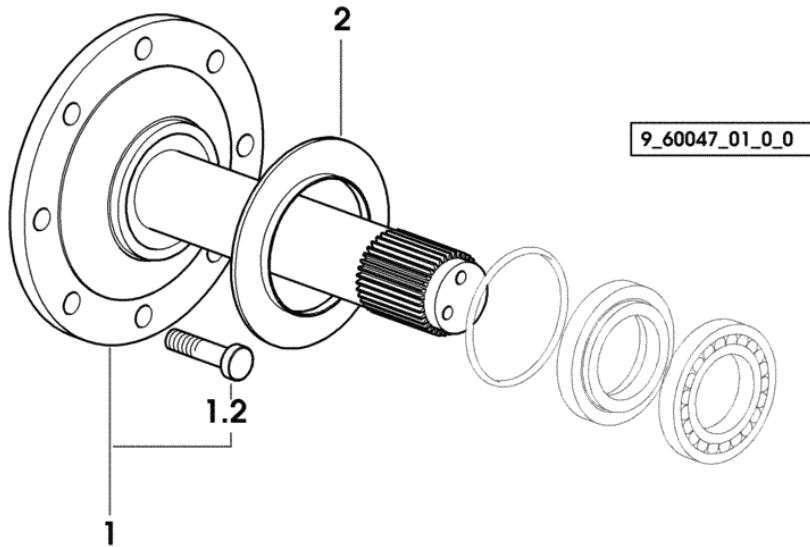
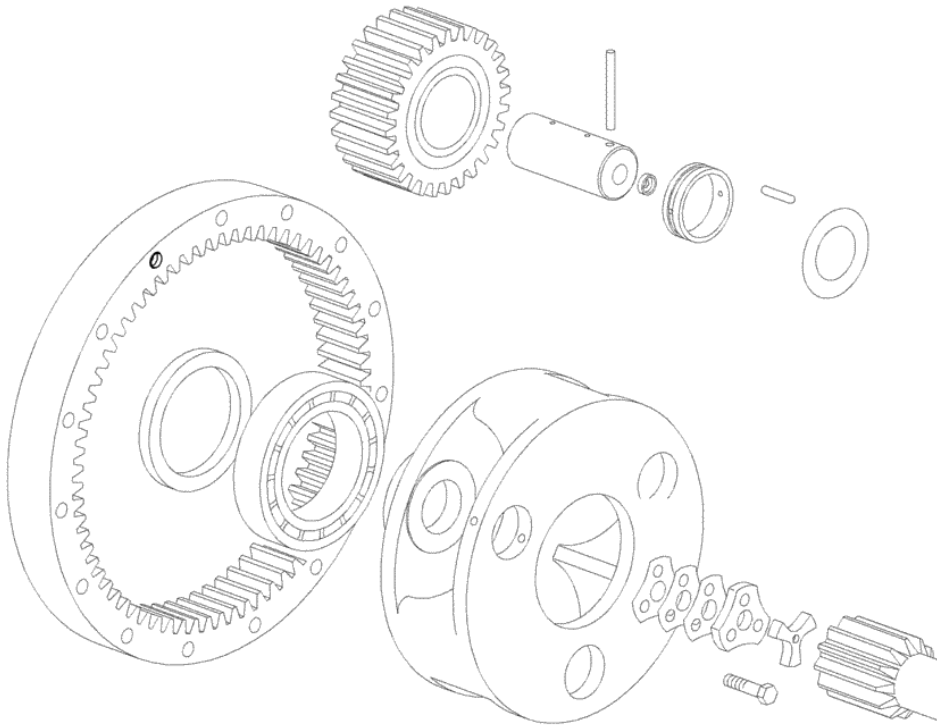
Fig.	Code	QTY	Name
1	0.257.4733.0/30	2	crown wheel
11	0.007.7563.0/30	2	half-shaft



Section: REAR AXLE

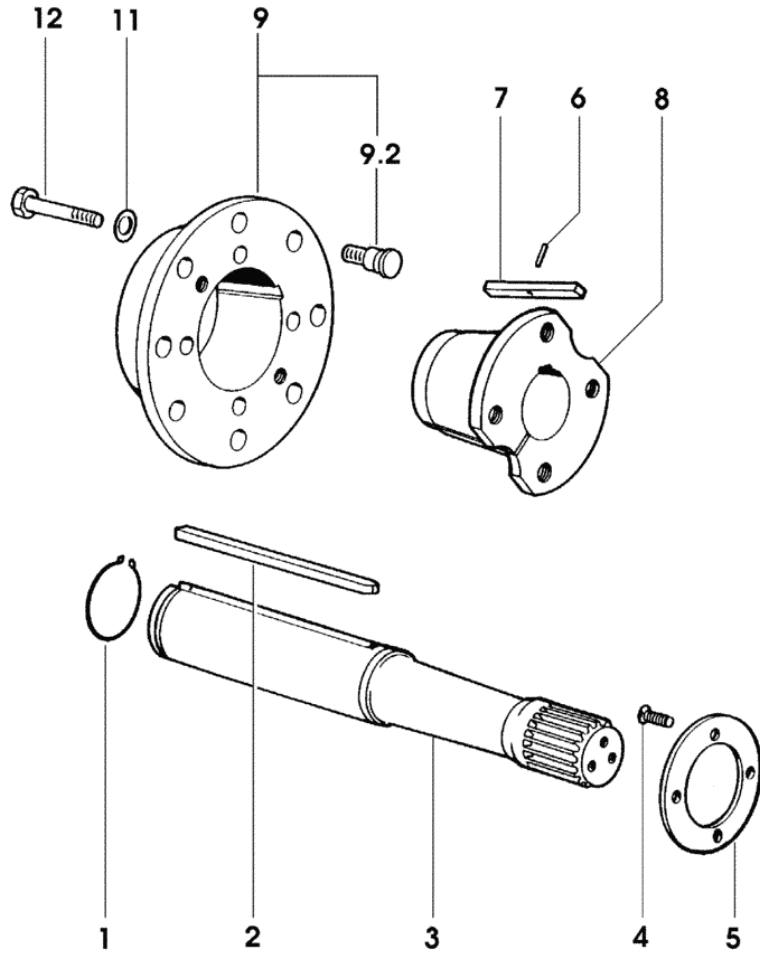
**REAR REDUCTION GEARS AND AXLE SHAFTS**

Fig.	Code	QTY	Name
1	0.009.3544.3/30	2	half-shaft
1.2	0.009.3545.0	8	small column
2	0.012.6397.0	2	guard



Section: REAR AXLE  
**EXTENDIBLE AXLE SHAFT**

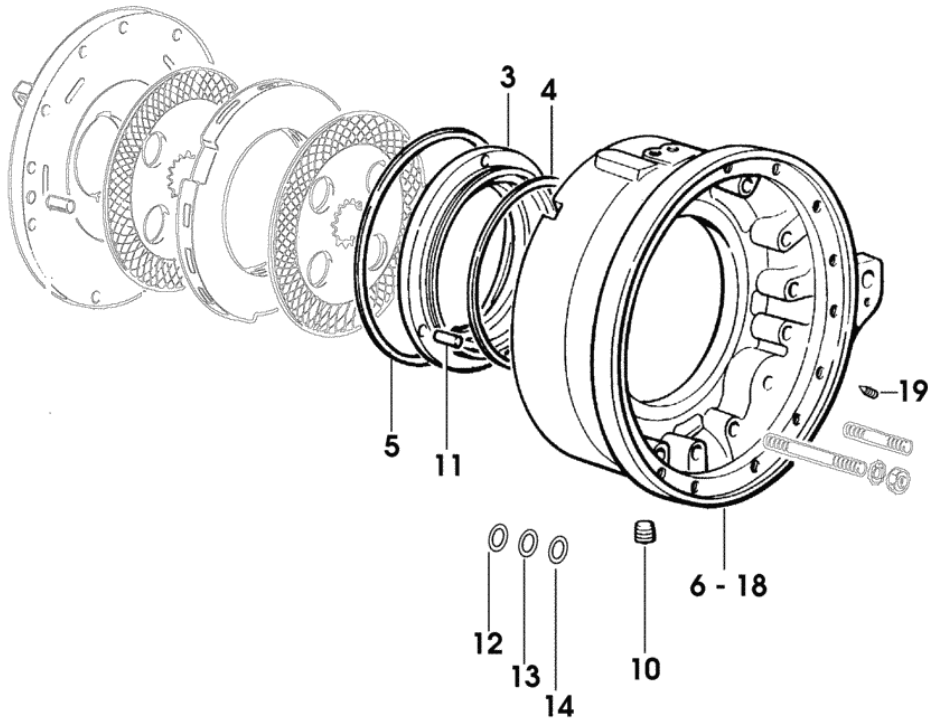
Fig.	Code	QTY	Name
1	2.1410.036.2	2	circlip 90
2	2.1799.025.2/10	2	dowel
3	0.257.4752.0/10	2	half-shaft
4	2.0322.405.6	8	screw m 6 x 14
5	0.212.4454.0	2	guard
6	2.1630.211.0	2	roll pin 3x24
7	2.1799.020.2	2	dowel 13x16x108
8	0.212.4757.0	2	flange
9	0.009.3540.3/10	2	flange
9.2	0.009.3541.0	8	small column m 22 p1.5x85
11	2.1470.011.2	8	washer 20
12	2.0119.080.2	8	screw m20x2x140



9\_60047\_02\_0\_0

**REAR BRAKES**

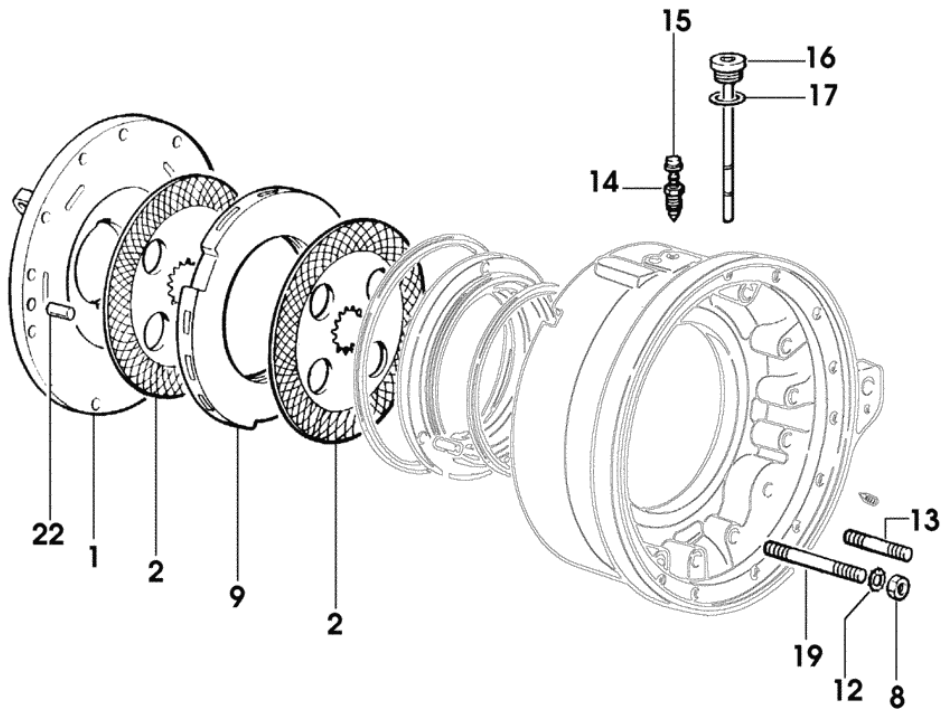
Fig.	Code	QTY	Name
3	0.005.5456.0/20	2	piston
4	2.1569.149.0	2	gasket 252.6x259.4
5	2.1569.150.0	2	gasket 306.6x313.4
6	0.008.0327.0/20	1	box dx/rh/re
10	2.3130.004.1	2	plug 1/2 gas
11	2.1699.110.0	6	pin 12x28
12	2.1589.160.0	12	snoulder 12.5x18x0.5
13	2.1589.161.0	10	snoulder 12.5x18x0.2
14	2.1589.420.0	10	snoulder 12.5x18x0.3
18	0.008.0326.0/20	1	box sx/lh/li
19	2.3139.013.7	2	plug m12x1,25



9\_48954\_10\_0\_0

**REAR BRAKES**

Fig.	Code	QTY	Name
1	0.233.5431.0/40	1	flange sx/lh/li
2	0.170.5434.0/10	4	brake disc
8	2.1011.308.2	28	nut m 14 p.1.5
9	0.008.4612.0/30	2	disc
12	2.1475.005.7	28	washer 14
13	2.0432.321.7	2	stud bolt m 14 p.2-1.5x80
14	0.170.5455.0	2	valve
15	2.3199.039.0	2	plug 6.50 x 7.25
16	0.011.6046.3	1	dipstick
17	2.1560.056.0	1	gasket 33x39
19	2.0432.333.7	26	stud bolt m 14 p.2-1.5x180
22	2.1699.354.0	4	pin 14x37



9\_11354\_00\_0\_0

Section: REAR AXLE  
**BRAKE CONTROLS**

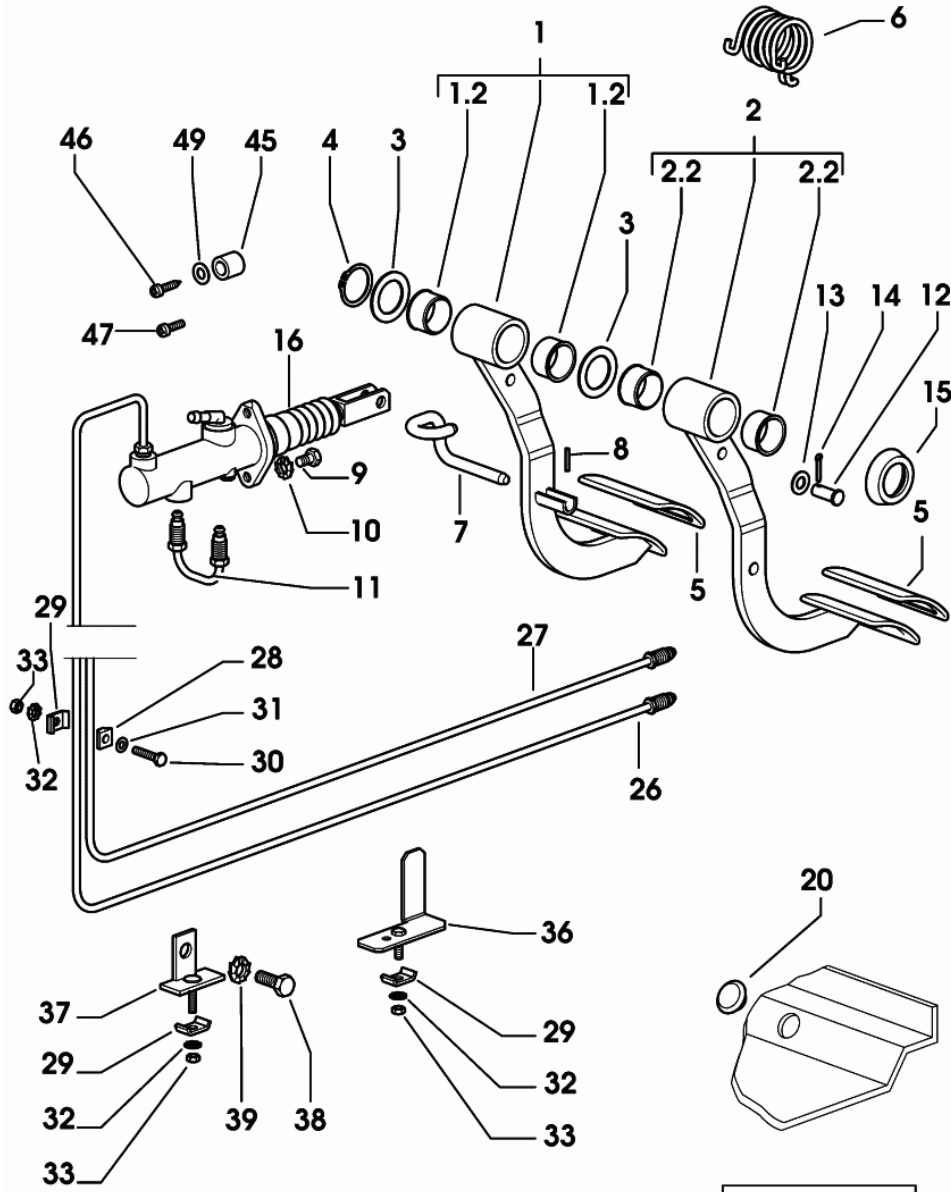


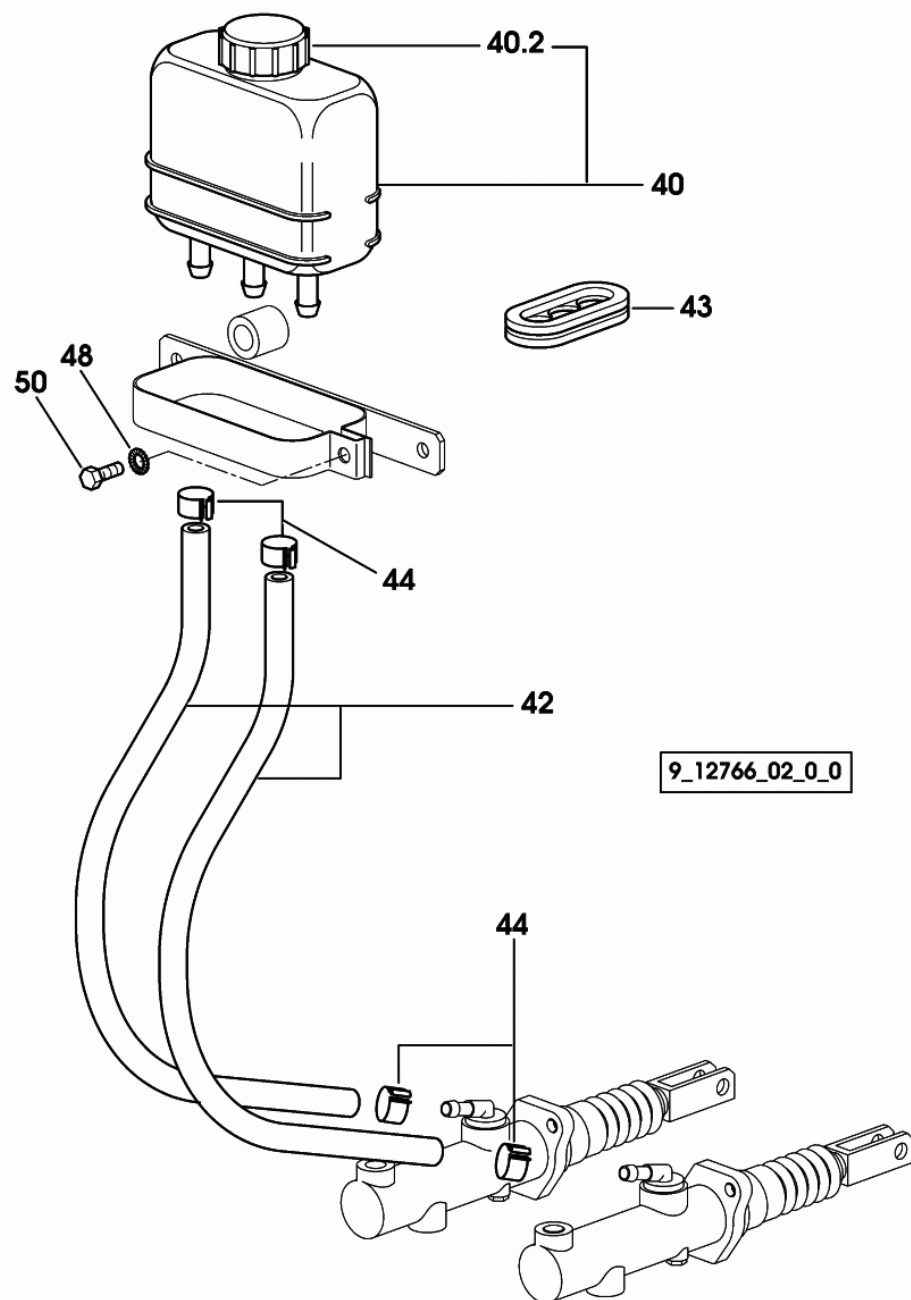
Fig.	Code	QTY	Name
1	0.007.5913.3/30	1	pedal dx/rh/re
1.2	2.1559.117.0/20	2	bushing 30x34x20
2	0.007.5914.3/30	1	pedal sx/lh/li
2.2	2.1559.117.0/20	2	bushing 30x34x20
3	2.1599.268.0	2	snoulder 30.2x45x2
4	2.1410.012.1	1	circlip 30
5	0.169.6557.0	2	cover
6	0.008.2171.2/10	1	spring
7	0.009.0496.0	1	clevis
8	2.1630.210.9	1	pin 3 x 20
9	2.0112.204.2	4	screw m 8 p.1.25x14
10	2.1470.004.2	4	washer 8
11	0.009.0495.3	1	tube
12	2.1671.407.2	2	pin 10 x 28
13	2.1310.006.2	2	flat washer 10.5
14	2.1690.307.2	2	split pin 3.2x18
15	2.1599.546.0	1	washer 30.5
16	0.009.1093.4	2	brake cylinder
20	2.3199.259.0	1	plug 18
26	0.009.1661.3/30	1	tube dx/rh/re
27	0.009.1662.3/30	1	tube sx/lh/li
28	0.021.1668.0	1	small block
29	0.002.8816.0	3	small plate
30	2.0112.011.2	1	screw m 6 p.1x30
31	2.1310.002.2	1	washer 6.6, d125
32	2.1470.002.2	3	washer 6, d128
33	2.1011.103.2	3	nut m 6 p.1
36	0.009.1824.3	1	bracket
37	0.284.8261.2	1	bracket
38	2.0112.311.2	1	screw m 10 p.1.5 x 30
39	2.1470.006.2	1	lock washer 10
45	2.1579.879.2	2	spacer 12x20x19
46	2.0350.761.6	2	screw
47	2.0332.405.2	1	screw m 6 x 14
49	2.1312.003.2	1	washer 6

9\_12166\_00\_0\_0

## Section: REAR AXLE

**OIL RESERVOIR**

Fig.	Code	QTY	Name
40	0.009.1780.4/10	1	tank
40.2	0.257.6654.3/10	1	plug
42	0.012.6343.0	0	tube
43	2.6569.040.0	1	rubber plug
44	2.6857.019.0	4	clamp 14
48	2.1470.002.2	1	washer 6, d128
50	2.0112.005.2	1	screw m 6 p.1 x 16

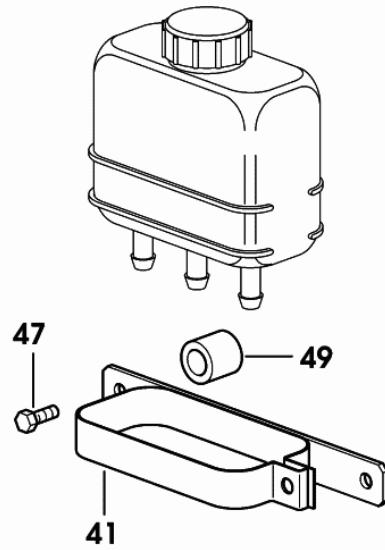




## Section: REAR AXLE

**BRACKET**

Fig.	Code	QTY	Name
41	0.011.4559.3	1	support
47	2.0350.761.6	2	screw
49	2.1579.879.2	2	spacer 12x20x19



9\_12166\_01\_0\_0

Section: REAR AXLE  
HAND BRAKE

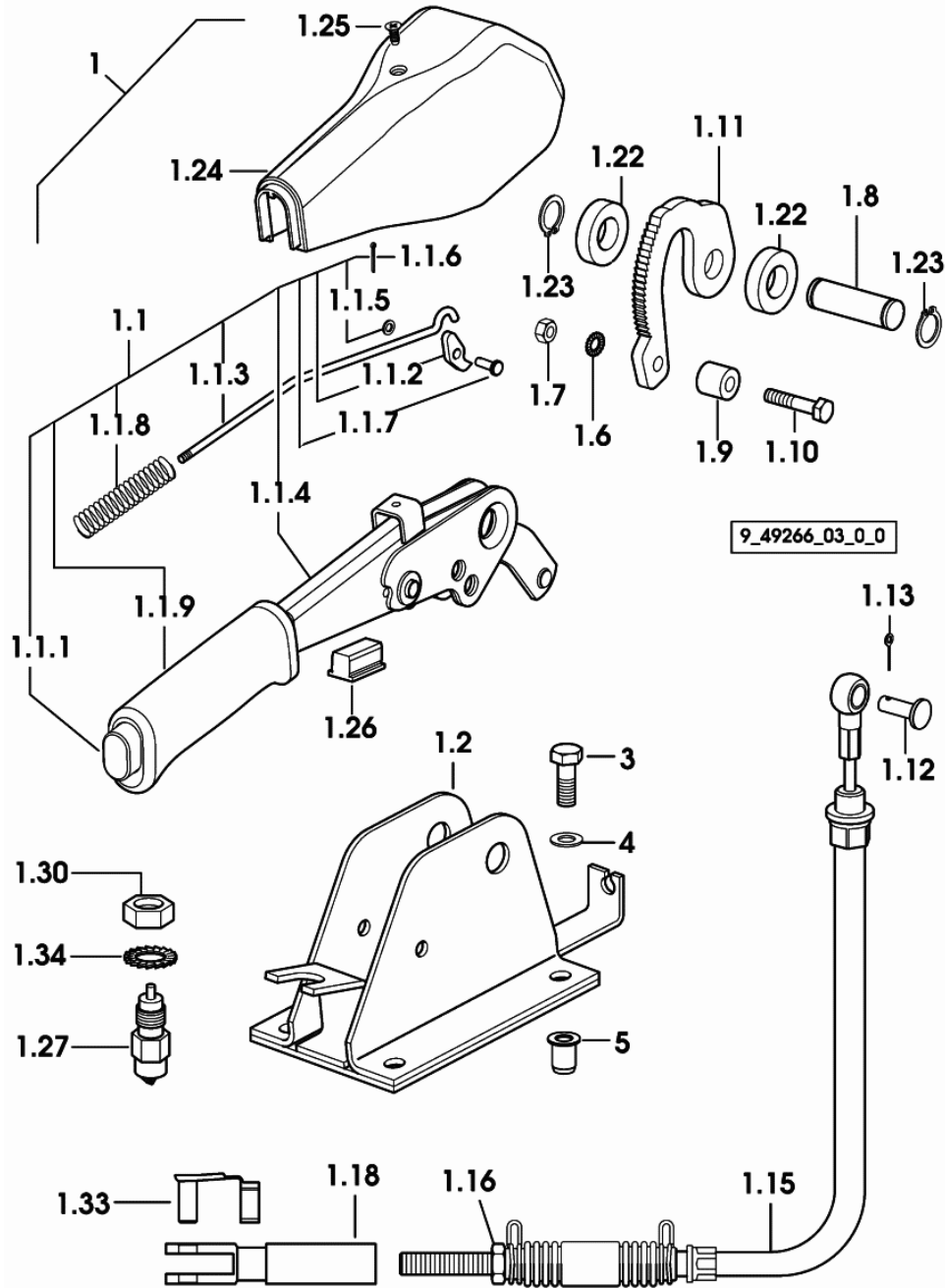


Fig.	Code	QTY	Name
1	0.000.0000.1	0	not serviceable
1.1	0.009.0670.4/10	1	h/brake lever
1.1.1	0.009.0668.0	1	push-button
1.1.2	0.200.6623.0	1	ratchet
1.1.3	0.171.6621.0	1	rod
1.1.4	0.000.0000.1	0	not serviceable
1.1.5	2.1310.004.2	1	flat washer 8.5
1.1.6	2.1690.206.2	1	split pin 2x16
1.1.7	2.1671.305.2	1	pin 8x22
1.1.8	2.4019.555.2	1	spring 14x130x1.3
1.1.9	0.009.0669.0	1	grip
1.2	0.008.3670.2/40	1	support
1.6	2.1470.002.2	1	washer 6, d128
1.7	2.1011.103.2	1	nut m 6 p.1
1.8	2.1699.265.2	1	pin
1.9	2.1579.972.2	1	spacer
1.10	2.0112.011.2	1	screw m 6 p.1x30
1.11	0.009.0141.0/10	1	toothed sector
1.12	2.1671.406.2	1	pin
1.13	2.1690.307.2	1	split pin 3.2x18
1.15	0.009.3242.4/20	1	cable
1.16	2.1011.107.2	1	nut m 12 p.1.75
1.18	2.3519.091.2	1	fork m 12
1.22	2.1579.973.2	2	spacer 15x30x7.5
1.23	2.1410.003.1	2	circlip 14
1.24	0.009.0672.0/20	1	lining
1.25	2.0357.353.6	1	screw 3.9x9.5
1.26	0.264.6655.0/10	1	small block
1.27	2.7659.133.0	1	switch
1.30	2.1011.108.2	1	nut m 14 p.2
1.33	2.1699.164.2	1	pin 10x23
1.34	2.1470.008.2	1	lock washer 14
3	2.0112.211.2	4	screw m 8 p.1.25 x 30
4	2.1470.004.2	4	washer 8
5	2.1142.005.2	4	insert m 8

Section: REAR AXLE  
**INDEPENDENT HAND BRAKE**

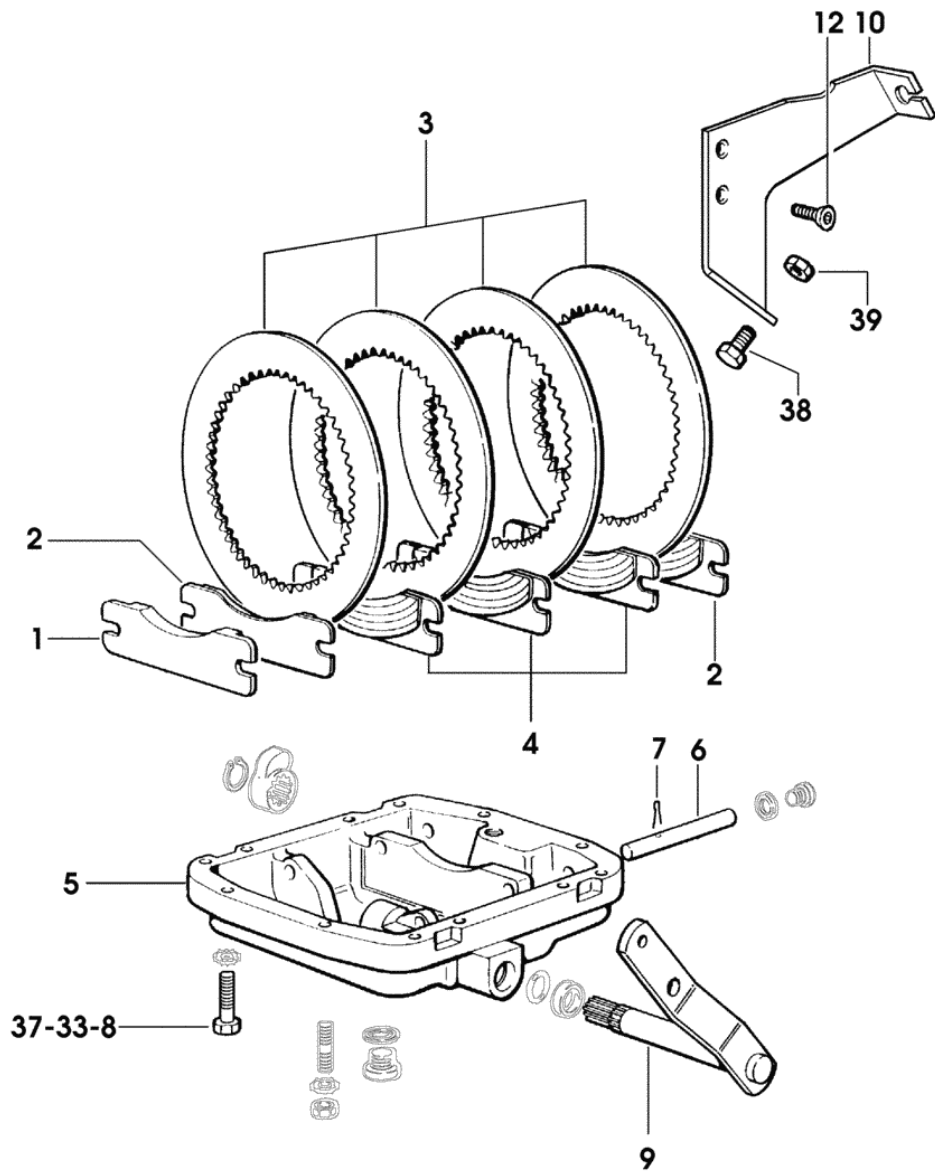
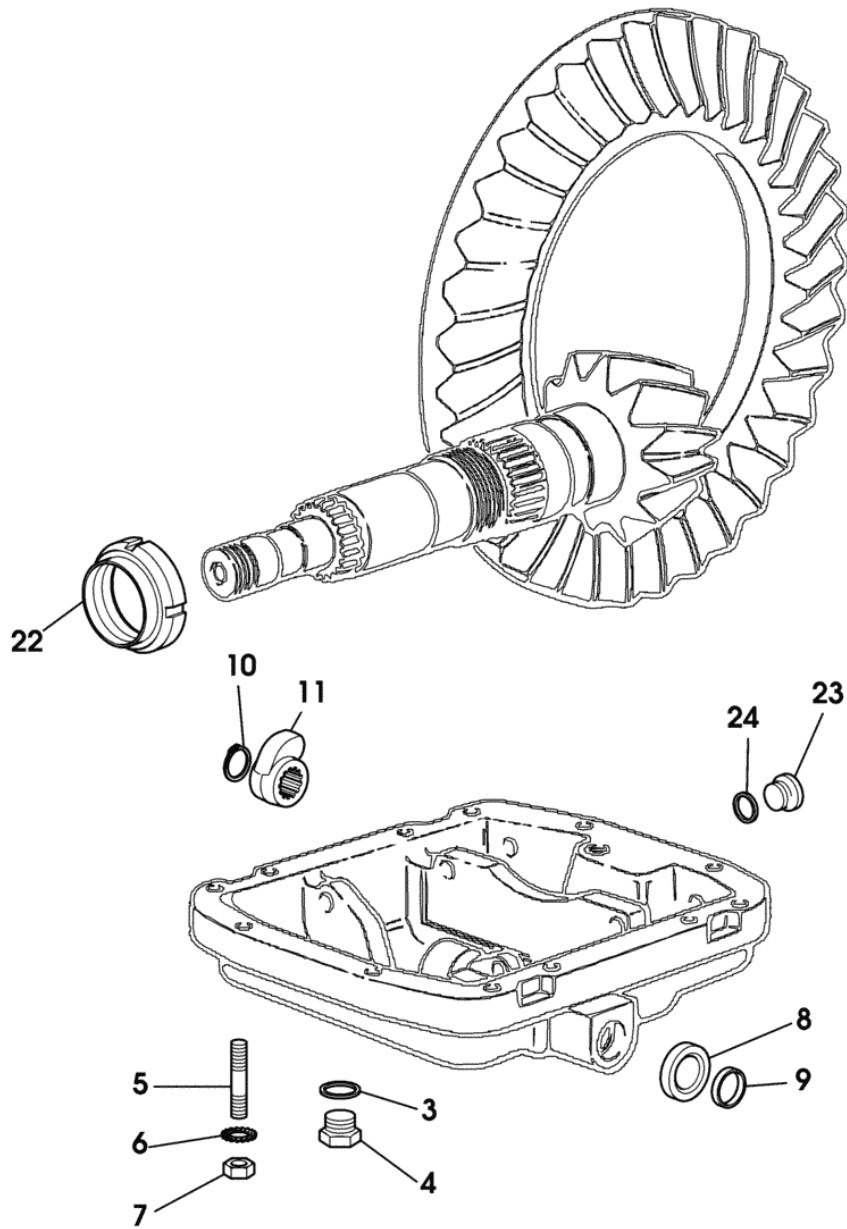


Fig.	Code	QTY	Name
1	0.007.7571.0/20	1	terminal
2	0.007.7572.0	2	sector
3	0.007.7597.0/10	4	brake disc
4	0.007.7573.0	3	sector
5	0.008.5235.0/40	1	cover
6	2.1669.047.0	2	pin 14x90
7	2.1690.410.2	2	split pin 4 x 25
8	2.0112.315.2	6	screw m 10 p.1.5 x 40
9	0.012.4254.3	1	h/brake lever
10	0.012.8485.0	1	bracket
12	2.0342.405.6	2	screw m 10 p 1.5 x 20
33	2.0112.320.2	2	screw m 10 p.1.5 x 55
37	2.0112.321.2	2	screw m 10 p.1.5 x 60
38	2.0114.215.2	1	screw m 8 p.1.25 x 40
39	2.1011.105.2	1	nut m 8 p.1.25

9\_49238\_03\_0\_A

**4WD - INDEPENDENT HAND BRAKE**

Fig.	Code	QTY	Name
3	2.1560.054.0	1	gasket 21 x 26
4	2.3199.001.2	1	plug 1/2" gas
5	2.0432.165.7	2	stud bolt m 10 p.1.5-1.25x50
6	2.1470.006.2	12	lock washer 10
7	2.1011.006.2	2	nut m 10 p.1.5
8	2.1539.147.0	1	'o' ring 21.89x2.62
9	2.1579.926.2	1	spacer 22.5x26x5
10	2.1412.005.7	1	circlip 20x1.75
11	0.171.5453.0	1	lever
22	2.1219.035.1/10	1	ring nut m 55 p.2
23	2.3120.010.4	2	plug m 16 p.1.5
24	2.1560.011.0	2	gasket 16.2x20



9\_49238\_00\_0\_A

# SILVER 160

## S.A.C.

### GENERAL

POWER-LIFT CASE.....	0D.00.1
S.A.C. CASE.....	0D.00.2
LIFTING.....	0D.00.3
HYDRAULIC CYLINDERS.....	0D.00.5
REGULATING DISTRIBUTOR WITH ELECTRONIC CONTROL.....	0D.00.7
CONTROL CONSOLE FOR POWER-LIFT.....	0D.00.8
SENSITIVE ELEMENTS.....	0D.00.9
POWER-LIFT ELECTRONIC SYSTEM.....	0D.00.10
"TRANSPORTER" VERSION.....	0D.00.11
"TRANSPORTER" VERSION.....	0D.00.12

Section: S.A.C.

**POWER-LIFT CASE**

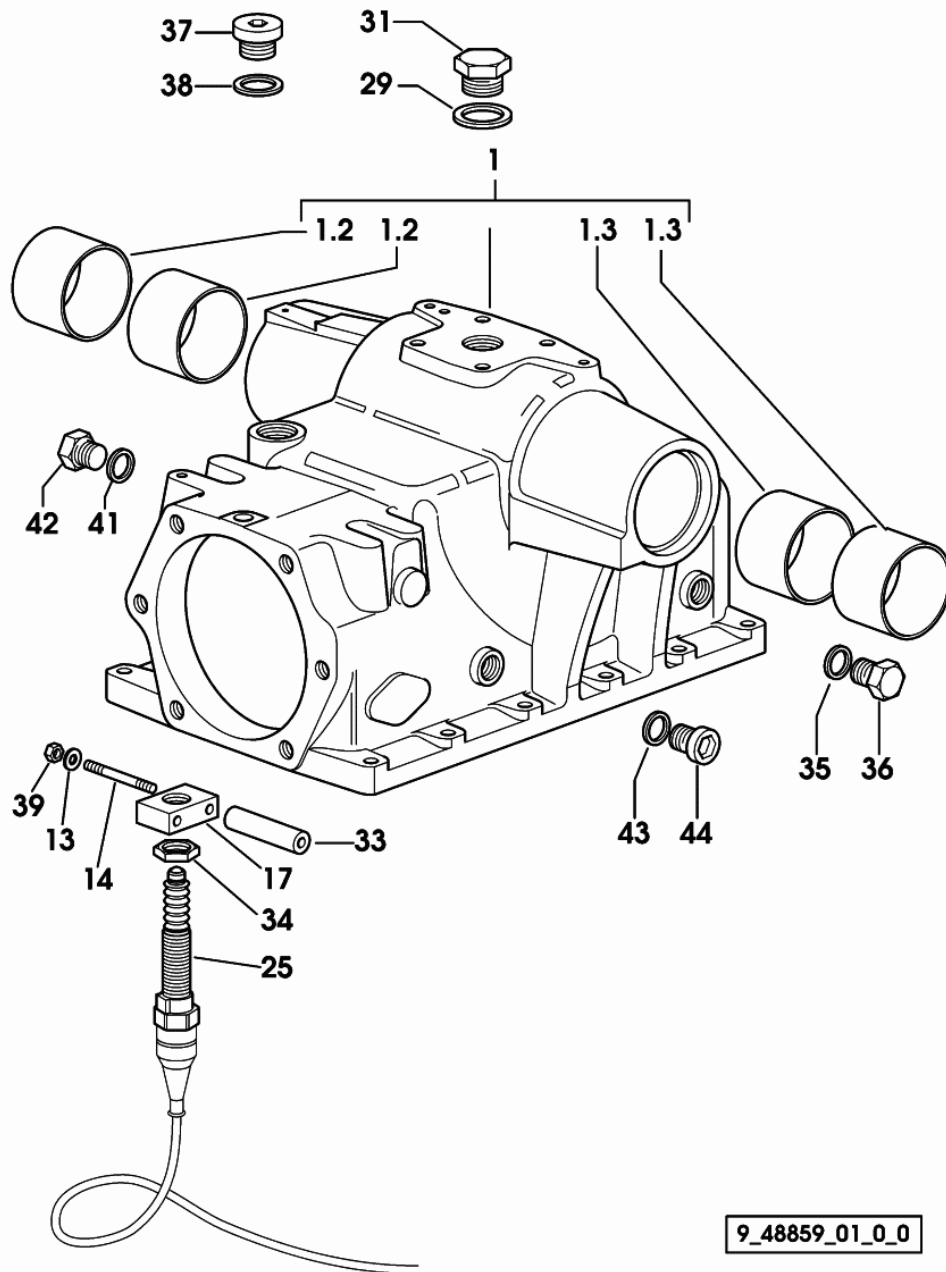


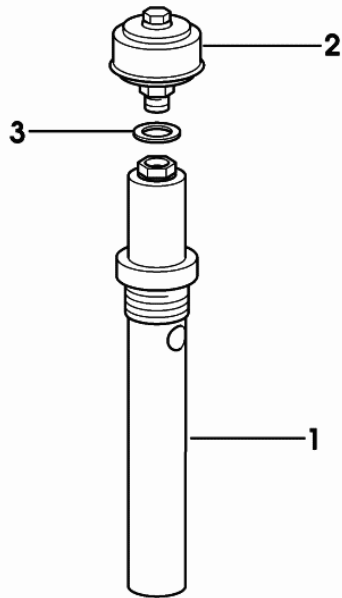
Fig.	Code	QTY	Name
1	0.009.2183.3/10	1	hydraulics housing
1.2	2.1555.828.0	2	bushing 75x80x60
1.3	2.1555.829.0	2	bushing 80x85x60
13	2.1470.004.2	2	washer 8
14	2.0432.029.7	2	stud bolt m 8 p.1.25-1x140
17	0.009.2192.0/10	1	support
25	0.009.2194.4	1	sensor
29	2.1560.028.0	1	gasket 40.3 x 47
31	2.3120.106.0	1	plug m 40 p.1.5
33	2.1549.028.2	2	spacer 8.5x20x85
34	2.1019.106.1	1	nut m 24 p.1.5 x 10
35	2.1560.014.0	1	gasket 18.2 x 24 x 1.5
36	2.3110.405.1	1	plug m 18 p.1.5 x 15
37	2.3199.002.2	1	plug 1 gas
38	2.1560.056.0	1	gasket 33x39
39	2.1011.305.2	2	nut m 8 p.1 x 8
41	2.1560.010.0	1	gasket 14.2 x 20 x 1.5
42	2.3110.403.1	1	plug m 14 p.1.5
43	2.1560.017.0	1	gasket 22.2 x 27
44	2.3120.002.4	1	plug m 22 x 1.5

9\_48859\_01\_0\_0

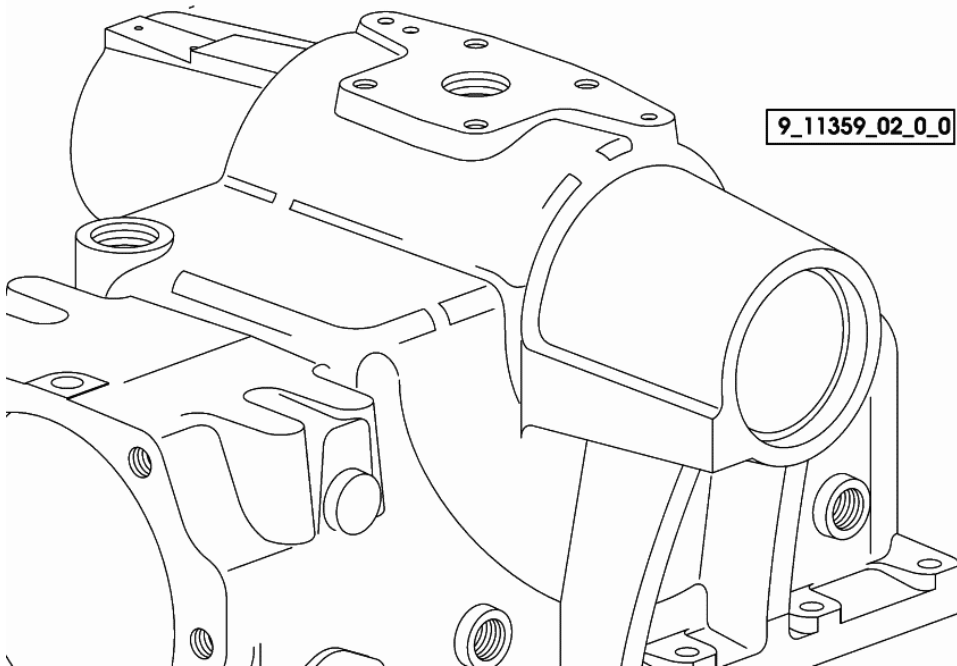
Section: S.A.C.

**S.A.C. CASE**

Fig.	Code	QTY	Name
1	0.011.5822.2/10	1	tube
2	0.445.3150.4	1	filter
3	2.1560.010.0	1	gasket 14.2 x 20 x 1.5

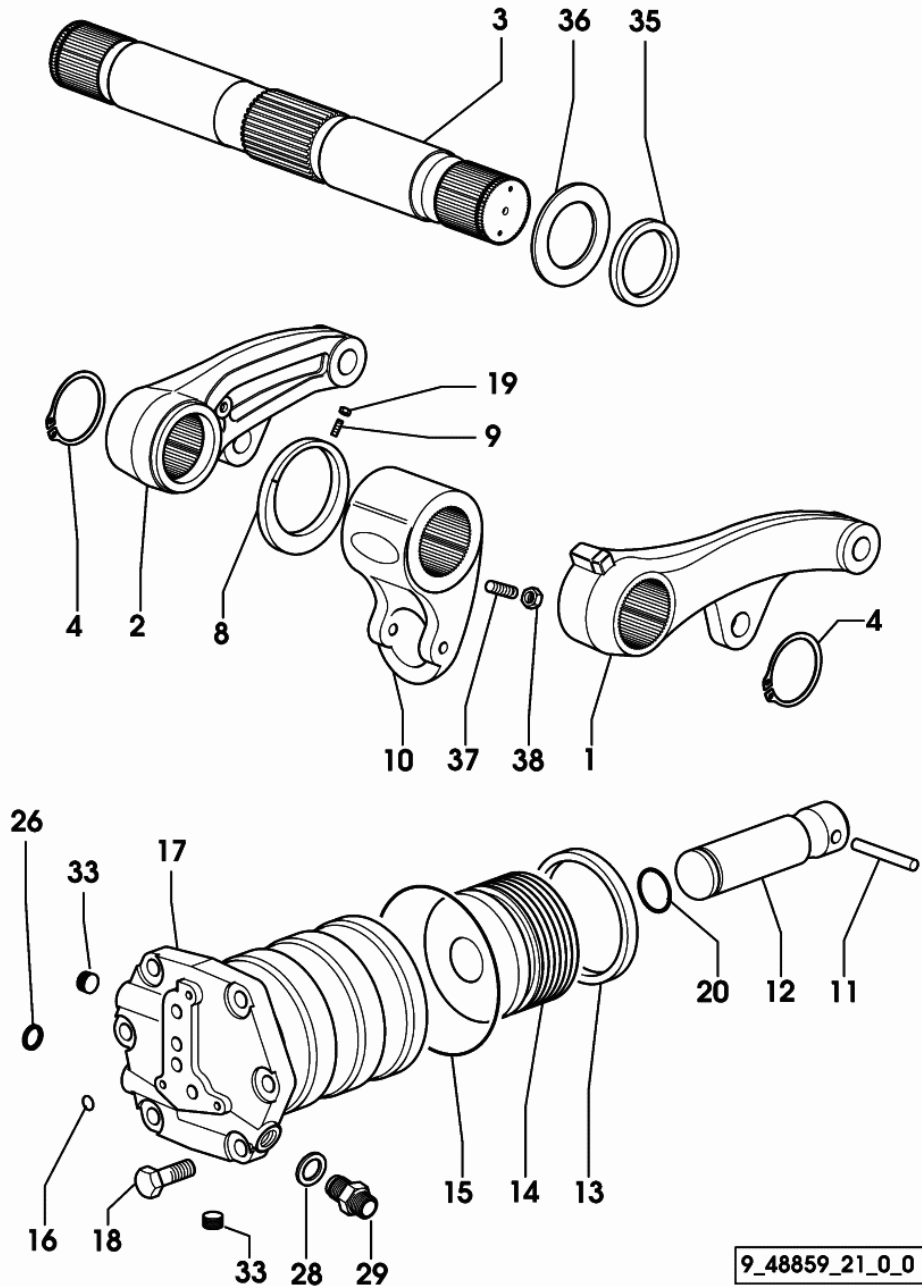


9\_11359\_02\_0\_0



**LIFTING**

Fig.	Code	QTY	Name
1	0.009.3013.0/30	1	lift lever sx/lh/li
2	0.009.3012.0/20	1	lift lever dx/rh/re
3	0.009.3007.0/30	1	shaft
4	2.1410.030.1	2	circlip 75
8	0.009.2188.0/10	1	cam
9	2.0532.108.7	1	grain m6x1x20
10	0.009.3010.0/20	1	lever
11	2.1630.922.0	1	roll pin 12x90
12	0.9107.313.0/30	1	connecting rod
13	0.9107.351.0	1	gasket
14	0.9107.311.0/30	1	piston
15	2.1531.283.0	1	'o' ring 190.1x3.53
16	2.1531.037.0	1	'o' ring 15.08x2.62
17	0.009.2187.0/60	1	cylinder
18	2.0119.185.7	6	screw m 18 p.1.5x55
19	2.1011.003.2	1	nut m 6 p.1, d934
20	2.1530.119.0	1	'o' ring 47.00x5.34
26	2.1560.014.0	1	gasket 18.2 x 24 x 1.5
28	2.1560.018.0	1	gasket 22.2 x 29
29	2.3261.012.2	1	pipe fitting m 22 p.1.5-7/8"
29	2.3261.013.2	1	pipe fitting m 22 p.1.5-1 1/16" -> 3504 X SILVER 160
33	2.3130.003.1	2	plug 3/8" gas
35	2.1520.039.0	2	oil seal 75x95x10
36	2.1599.643.2	2	snoulder 75x115x5
37	2.0522.416.7	1	screw m 12 x 40
38	2.1011.107.2	1	nut m 12 p.1.75



9\_48859\_21\_0\_0



Section: S.A.C.  
**HYDRAULIC CYLINDERS**

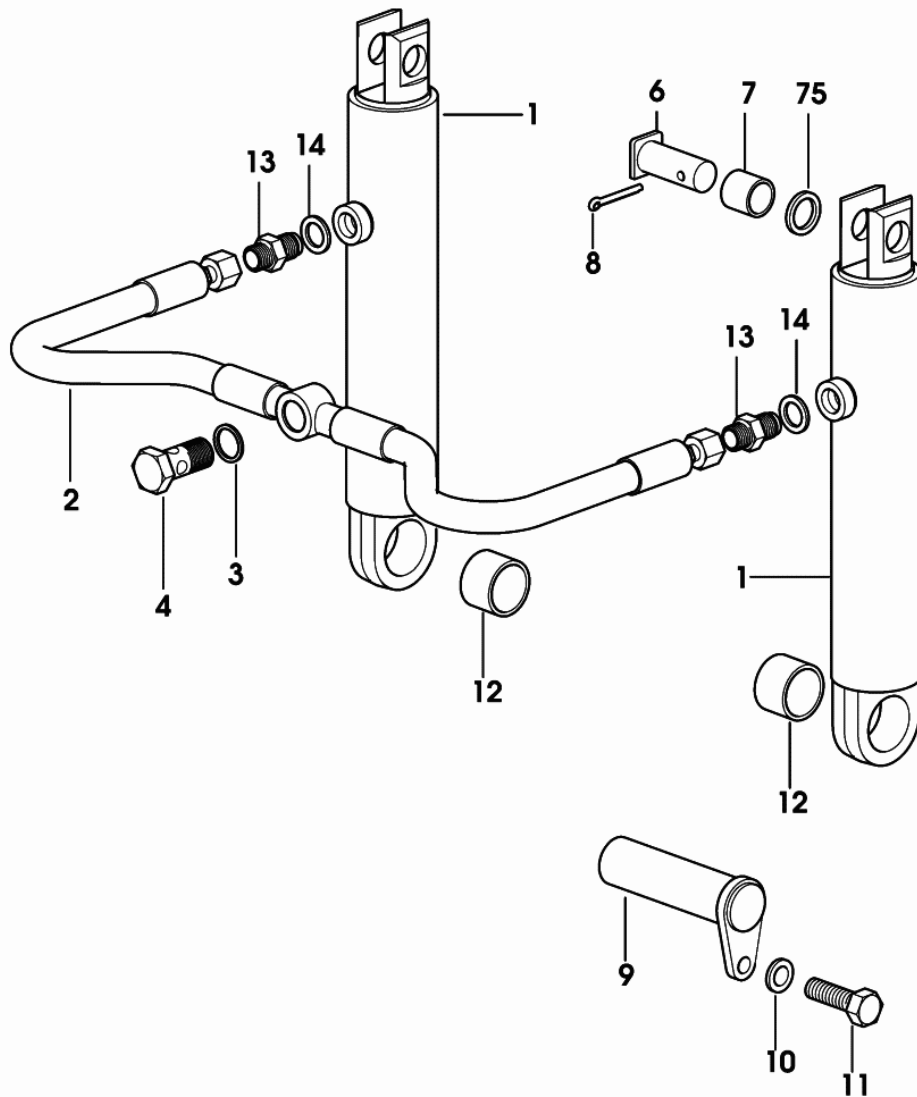
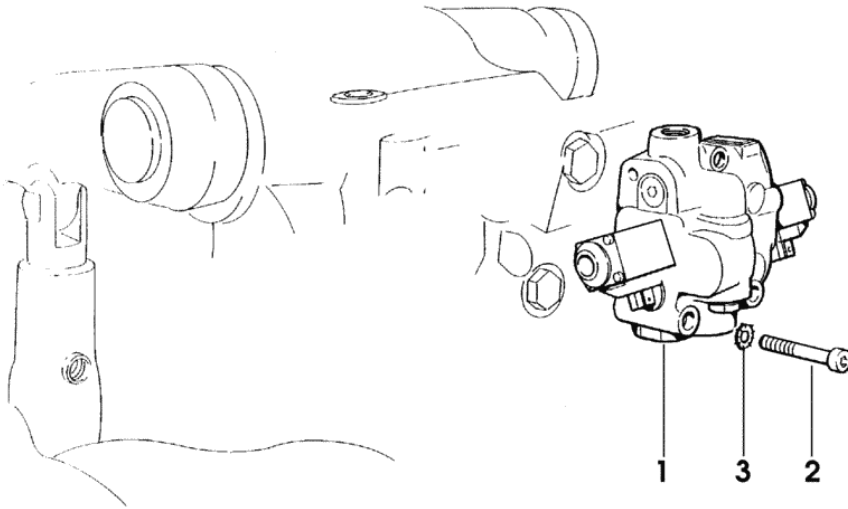


Fig.	Code	QTY	Name
1	0.9123.330.4/20	2	jack Ø 50 COMPONENT PARTS SEE COMPONENTS LIST ☞ 0.9123.330.4/20 ☞ 0D.00.61
2	0.009.2345.3/30	1	tube
3	2.1560.014.0	1	gasket 18.2 x 24 x 1.5
4	2.3335.008.2	1	pipe union m 18 p.1.5 x 32
6	2.1699.372.0/30	2	pin 22x59
7	2.1559.174.0	2	bushing 22x27x25
8	2.1690.616.2	2	split pin 6.3 x 50
9	0.98601.15.2	2	piston pin
10	2.1470.004.2	2	washer 8
11	2.0112.204.2	2	screw m 8 p.1.25x14
12	0.98609.51.0	2	bushing 40x22x42
13	2.3261.007.2	2	pipe fitting m 16 p.1.5-9/16"
14	2.1560.011.0	2	gasket 16.2x20
75	2.1599.656.2	2	washer 22 x 30 x 3.0

9\_49259\_23\_0\_0

**REGULATING DISTRIBUTOR WITH ELECTRONIC CONTROL**

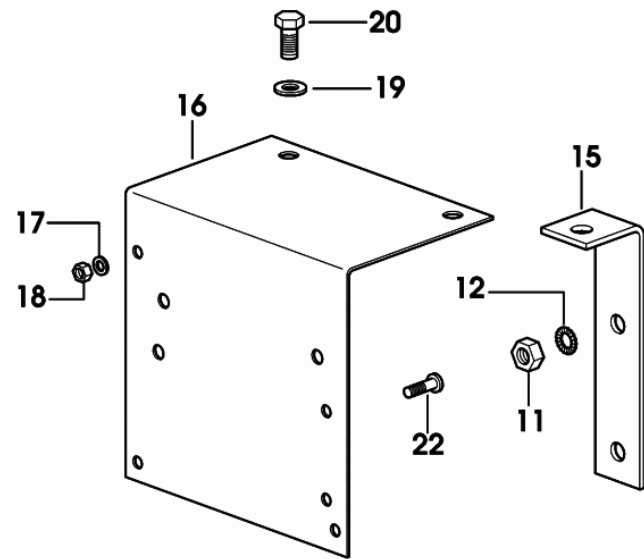
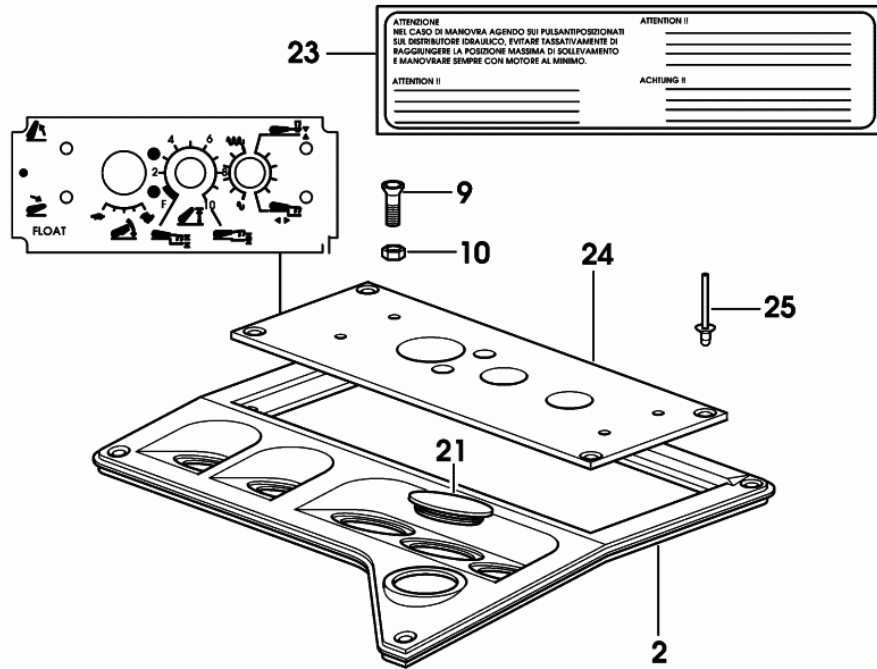
Fig.	Code	QTY	Name
1	0.009.3185.4/10	1	valve COMPONENT PARTS SEE COMPONENTS LIST ☞ 0.009.3185.4/10 ☞ 0D.00.63
2	2.0312.221.2	3	screw m 8 p.1.25x75
3	2.1470.004.2	3	washer 8



9\_48859\_31\_0\_0

Section: S.A.C.

**CONTROL CONSOLE FOR POWER-LIFT**



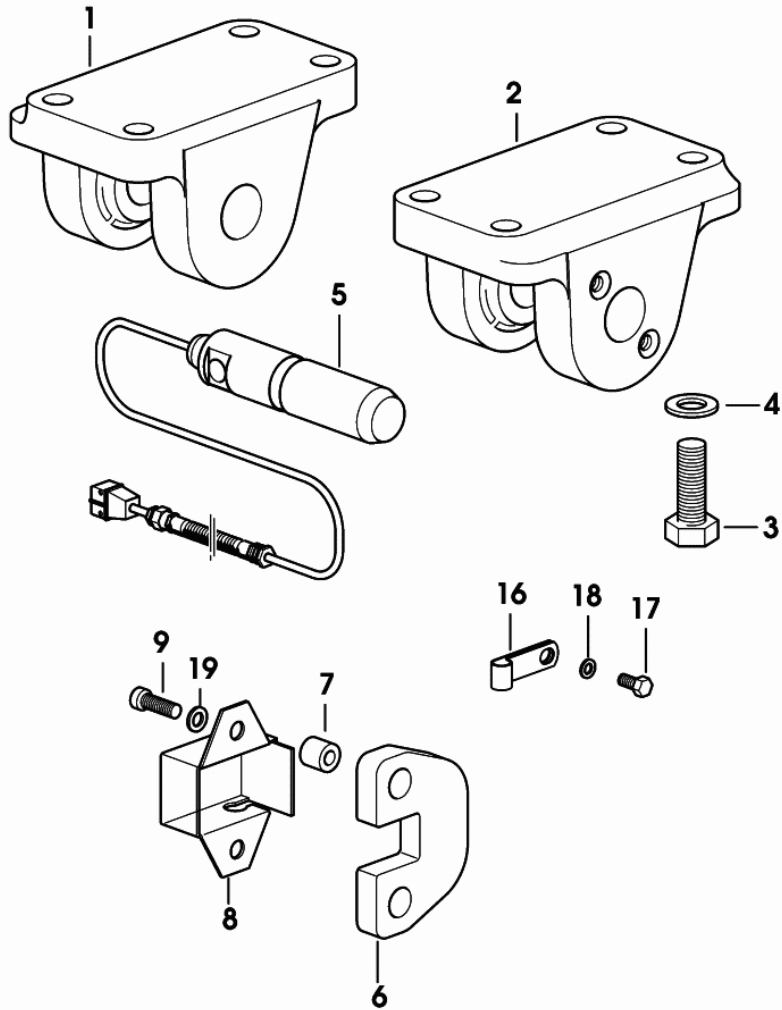
9\_49259\_55\_0\_0

Fig.	Code	QTY	Name
2	0.008.9804.0/30	1	panel
9	2.0342.003.3	4	screw m 4 p.0.7 x 16
10	2.1120.001.2	4	selflock nut m 4 p.0.7
11	2.1011.105.2	4	nut m 8 p.1.25
12	2.1470.004.2	4	washer 8
15	0.009.0660.2	2	support
16	0.009.0844.0/10	1	support
17	2.1310.001.2	3	flat washer 5.3
18	2.1011.102.2	3	nut m 5 p.0.7
19	2.1310.004.2	2	flat washer 8.5
20	2.0122.205.2	2	screw m 8 p.1 x 16
21	0.009.0210.0/10	2	plug 30 x 38 x 9.0
22	2.0332.305.2	3	screw m 5 p.0.8 x 14
23	2.9929.276.0	1	plate
24	0.007.6368.3/10	1	plate
25	2.1899.083.0	4	rivet

Section: S.A.C.

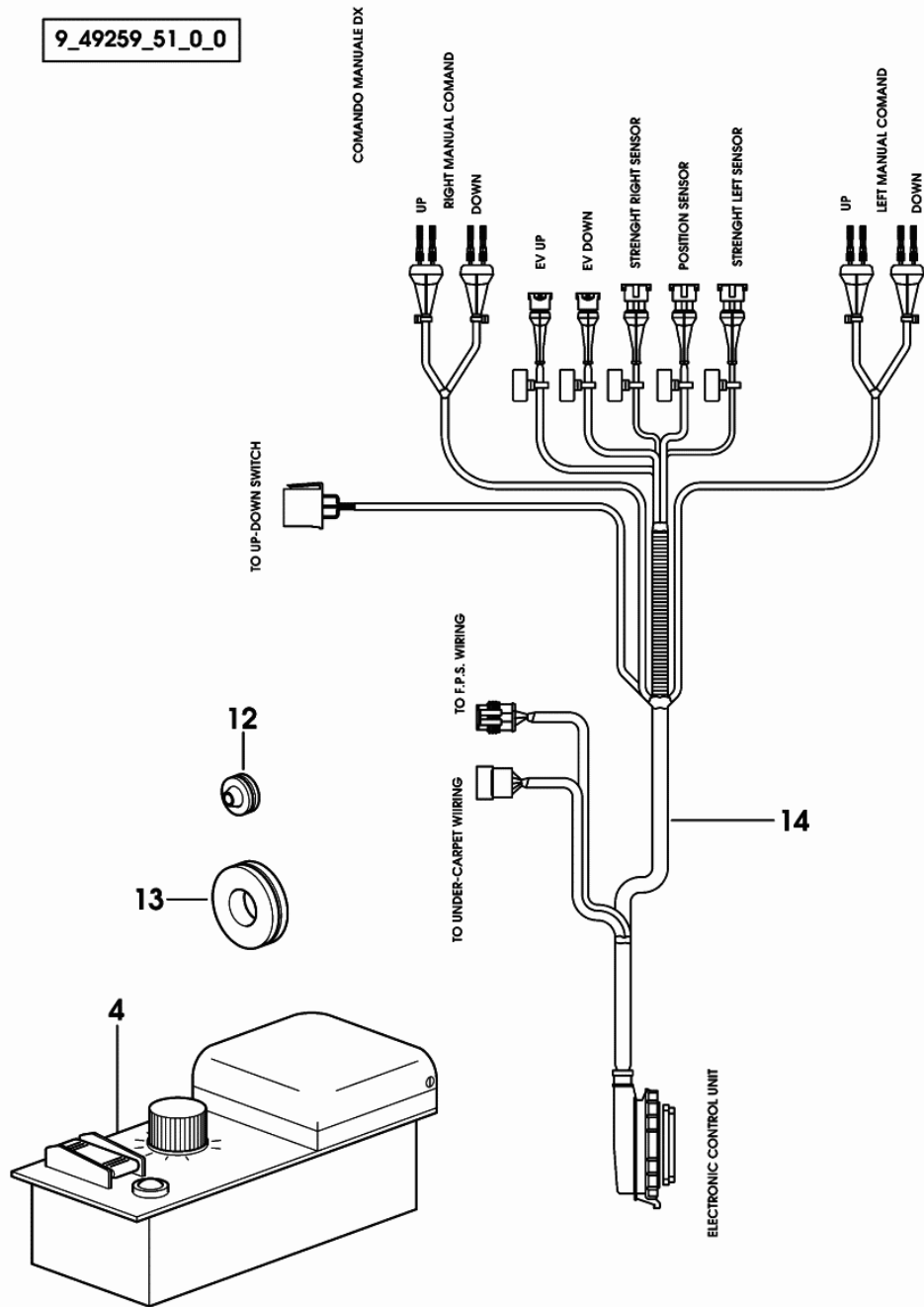
**SENSITIVE ELEMENTS**

Fig.	Code	QTY	Name
1	0.012.4353.0	1	support dx/rh/re
2	0.012.4352.0	1	support sx/lh/li
3	2.0119.149.1	8	screw m 18 p.2.5 x 55
4	2.1310.011.2	8	flat washer 19x34
5	0.009.3158.0	2	pin
6	0.008.2420.0/10	2	bracket
7	2.1559.223.0	4	sleeve 10.6x17x18.2
8	0.009.2419.0/10	2	cup
9	2.0312.312.2	4	screw m1,5x35
16	2.6819.023.2	4	bracket
17	2.0112.203.2	4	screw m 8 p.1.25 x 12
18	2.1310.004.2	4	flat washer 8.5
19	2.1480.015.1	4	washer 10



9\_48859\_61\_0\_0

9\_49259\_51\_0\_0



SILVER 160

Ref.: 0D.00.10

Section: S.A.C.

**POWER-LIFT ELECTRONIC SYSTEM**

Fig.	Code	QTY	Name
4	0.011.4400.4/10	1	central device COMPONENT PARTS SEE COMPONENTS LIST ☞ 0.011.4400.4/10 ☞ 0D.00.64
12	2.6569.033.0	2	grommet
13	2.6569.039.0	1	wire guide 21.5x48x12
14	0.011.4413.4	1	electrical system

Section: S.A.C.  
**"TRANSPORTER" VERSION**

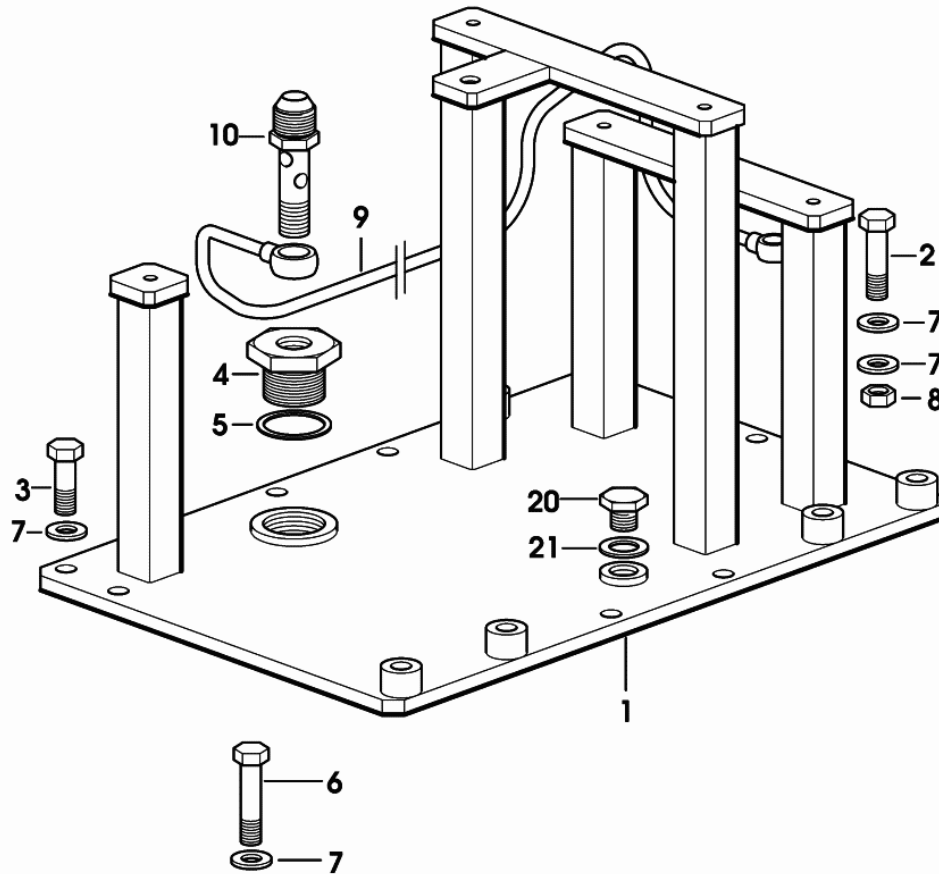


Fig.	Code	QTY	Name
1	0.011.5147.2	1	cover
2	2.0112.417.2	1	screw m 12 p.1.75 x 45
3	2.0112.411.2	8	screw m 12 p.1.75 x 30
4	2.3339.902.2	1	reduction
5	2.1560.028.0	1	gasket 40.3 x 47
6	2.0112.420.2	5	screw m 12 p.1.75x55
7	2.1470.007.2	15	lock washer 12
8	2.1011.107.2	1	nut m 12 p.1.75
9	0.011.5280.3	1	tube
10	2.3339.901.2	1	pipe union
20	2.3110.405.1	1	plug m 18 p.1.5 x 15
21	2.1560.014.0	1	gasket 18.2 x 24 x 1.5

9\_12559\_00\_0\_A

Section: S.A.C.  
**"TRANSPORTER" VERSION**

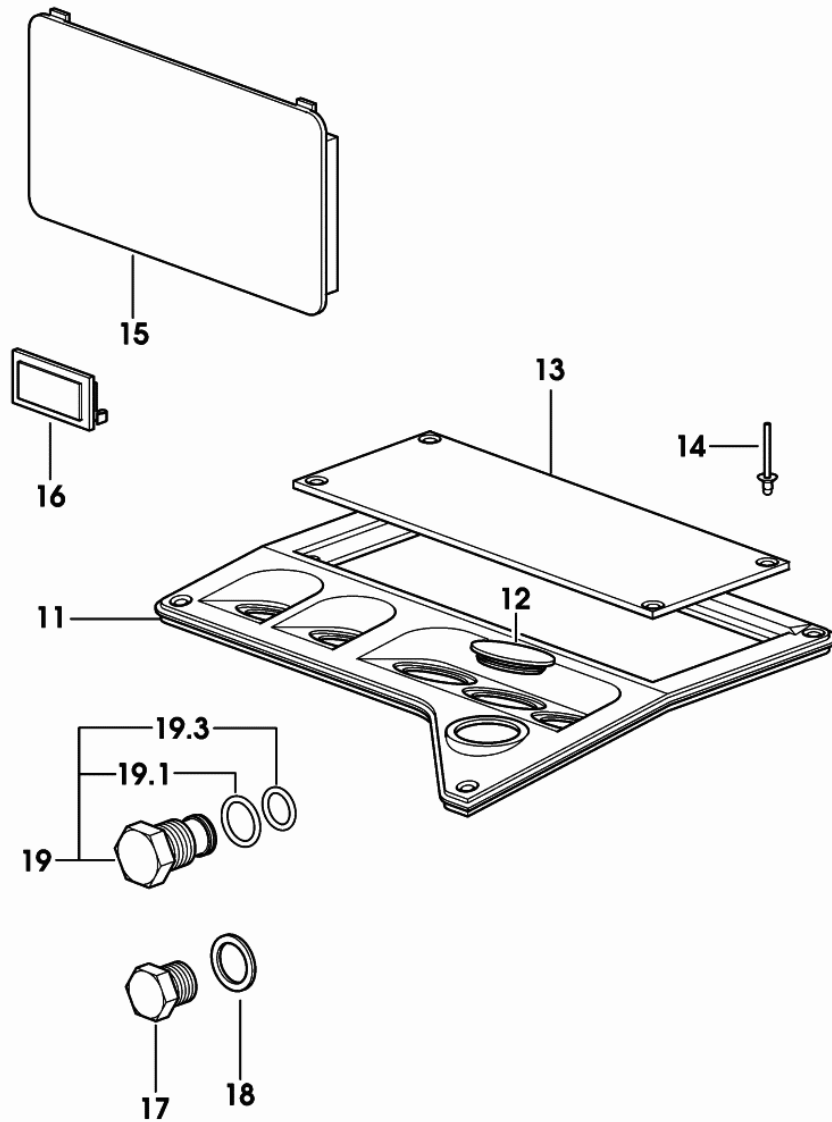


Fig.	Code	QTY	Name
11	0.008.9804.0/30	1	panel
12	0.009.0210.0/10	3	plug 30 x 38 x 9.0
13	0.011.5164.0	1	plug
14	2.1899.083.0	4	rivet
15	0.009.0257.0/10	1	plug
16	0.009.0500.0	1	plug 50x26
17	2.3110.403.1	2	plug m 14 p.1.5
18	2.1560.010.0	2	gasket 14.2 x 20 x 1.5
19	0.006.6161.4/10	1	plug
19.1	2.1530.048.0	1	'o' ring 18.72x2.62
19.3	2.1530.035.0	1	'o' ring 14.00x1.78

9\_12559\_00\_0\_B

# SILVER 160

## POWER STEERING - HYDRAULIC SYSTEM

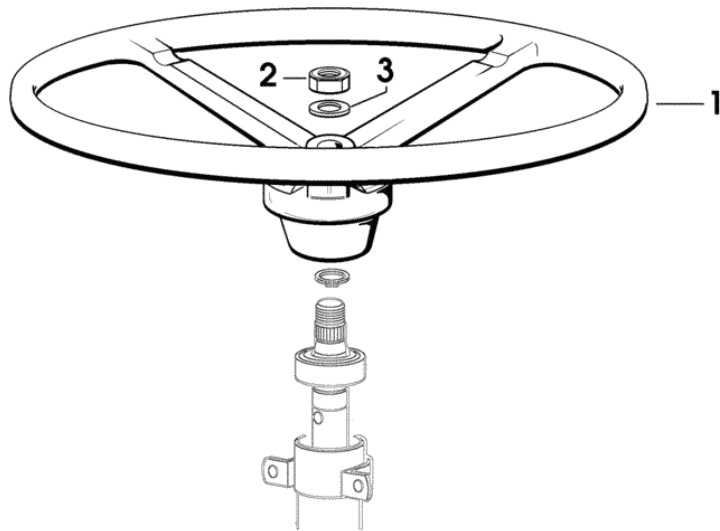
### GENERAL

STEERING WHEEL.....	06.00.1
STEERING WHEEL CAP.....	06.00.2
STEERING CONTROL.....	06.00.3
HYDROSTATIC STEERING SUPPORT.....	06.00.4
POWER STEERING.....	06.00.5
POWER STEERING.....	06.00.6
OIL FLOW CONTROL VALVE CASING.....	06.00.7
GEARBOX OIL COOLER - FOR P.T.O. FRONT.....	06.00.9
GEARBOX OIL COOLER.....	06.00.10
GEAR BOX OIL RADIATOR TUBES.....	06.00.11
PUMP FILTER SUCTION.....	06.00.12
PUMP FILTER SUCTION.....	06.00.13
PUMP FILTER SUCTION.....	06.00.15
PUMP FILTER SUCTION.....	06.00.16
TRANSMISSION LUBRICATION PIPES.....	06.00.17
HYDRAULIC PUMP CONTROL.....	06.00.18
OIL FLOW CONTROL VALVE CASING.....	06.00.19
SOLENOID VALVE CASING.....	06.00.20



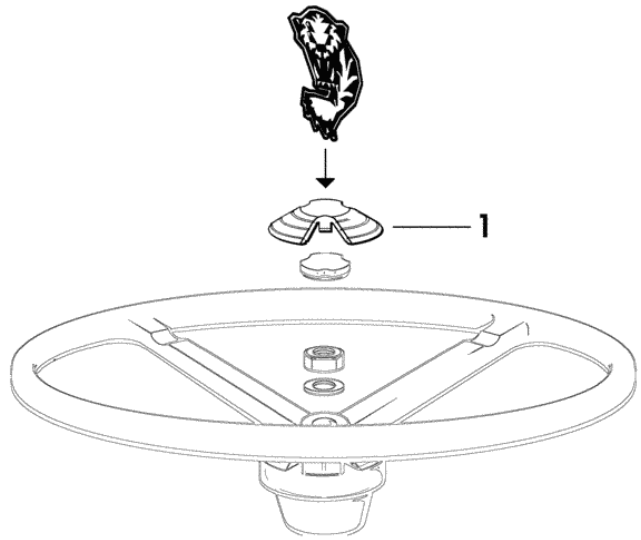
**STEERING WHEEL**

Fig.	Code	QTY	Name
1	0.009.0486.2/30	1	steering wheel
2	2.1011.511.2	1	nut m 20 p.1.5
3	2.1470.011.2	1	washer 20



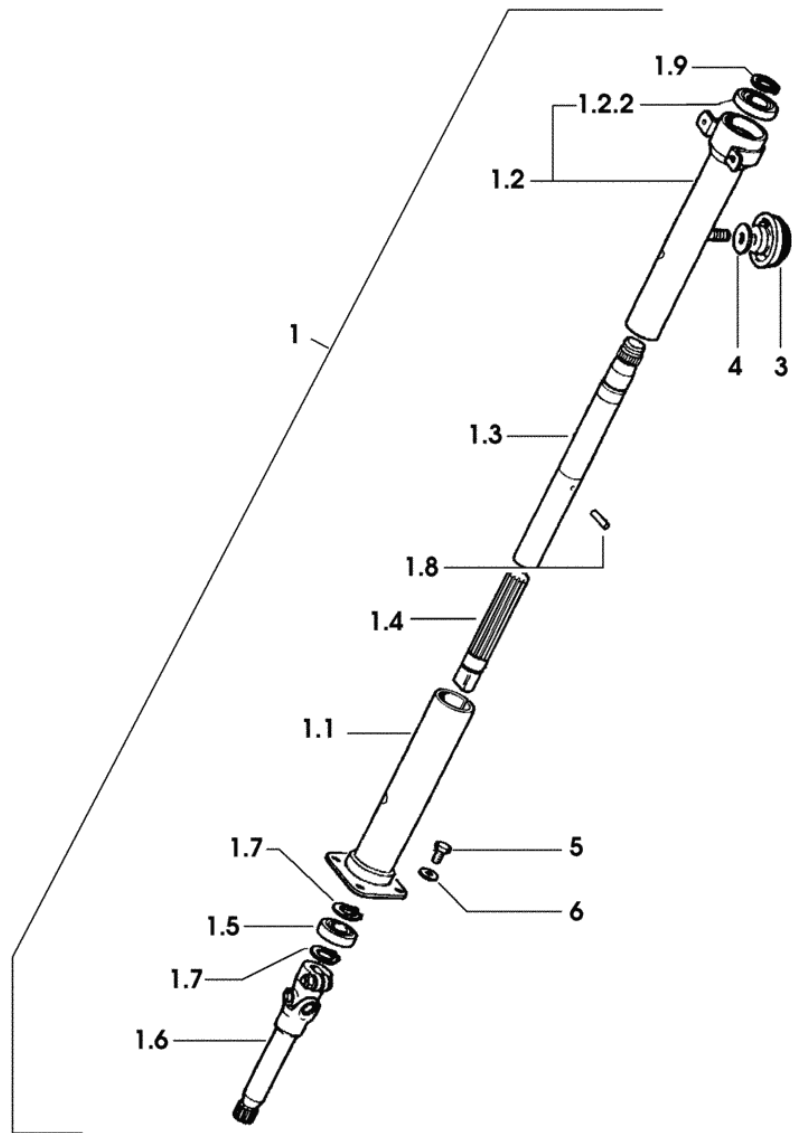
**STEERING WHEEL CAP**

Fig.	Code	QTY	Name
1	0.009.0539.3	1	plug SAME



9\_52661\_10\_0\_0

**STEERING CONTROL**



9\_52661\_00\_0\_B

Fig.	Code	QTY	Name
1	0.008.2247.4/90	1	steering column
1.1	0.008.2248.2/50	1	column
1.2	0.008.2249.3/50	1	column
1.2.2	2.2021.009.0	1	ball bearing 25 x 47 x 12
1.3	0.008.2250.3/50	1	shaft
1.4	0.008.2251.0/20	1	shaft
1.5	2.2021.008.0	1	ball bearing 20x42x12
1.6	0.007.5051.3/40	1	shaft
1.7	2.1410.006.1	2	circlip 20
1.8	2.1630.410.0	1	roll pin 4 x 20
1.9	2.1410.010.1	1	circlip 25
3	0.009.0350.2	1	knob
4	2.1599.529.0	1	washer 12.5x32x3
5	2.0112.207.2	4	screw m 8 p 1.25 x 20
6	2.1470.004.2	4	washer 8

**HYDROSTATIC STEERING SUPPORT**

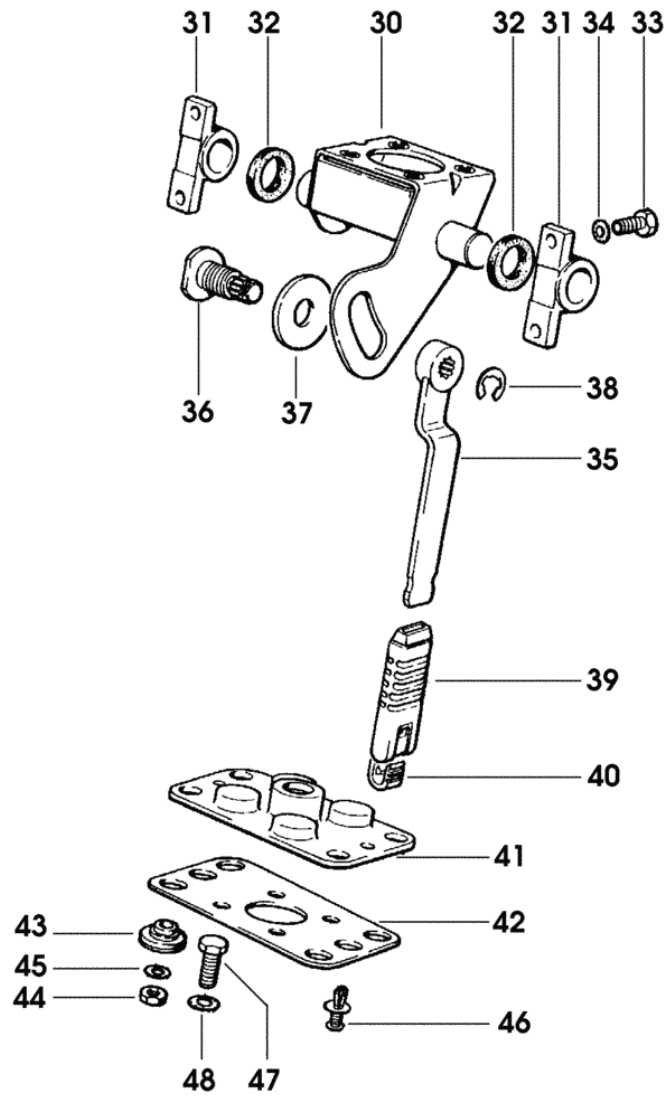
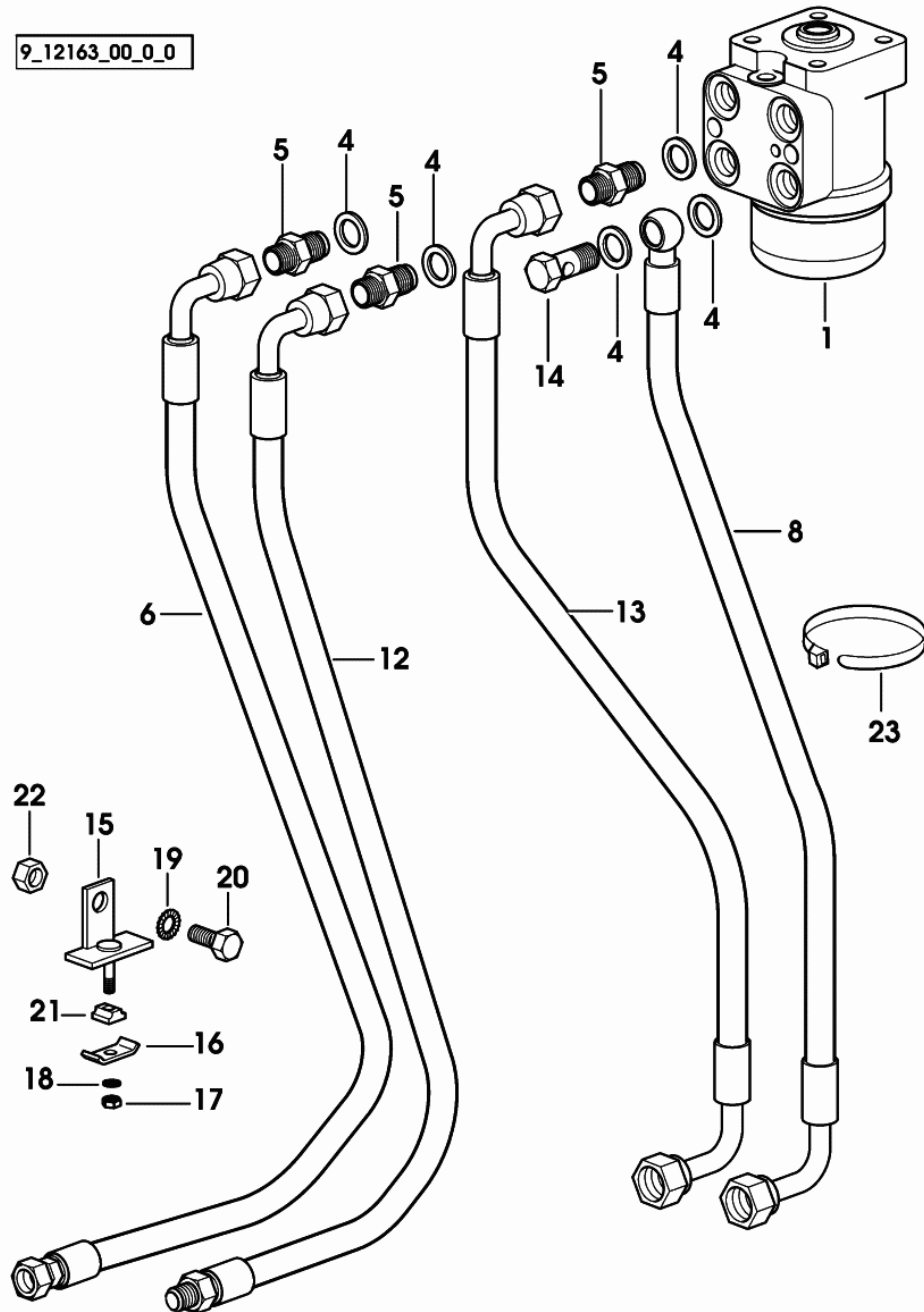


Fig.	Code	QTY	Name
30	0.007.5053.3/20	1	bracket
31	0.007.5055.0	2	support
32	2.1569.148.0	2	gasket
33	2.0112.207.2	4	screw m 8 p 1.25 x 20
34	2.1470.004.2	4	washer 8
35	0.007.5056.2/20	1	lever
36	0.007.5057.0	1	pin
37	0.011.3774.0	1	gasket
38	2.1430.012.7	1	circlip 12
39	0.009.0137.0	1	knob
40	0.009.0140.0	1	coupling
41	0.007.5058.0	1	plate
42	0.007.5059.0/20	1	gasket
43	0.007.5060.2/10	4	silent-block
44	2.1011.105.2	4	nut m 8 p.1.25
45	2.1470.004.2	4	washer 8
46	2.1899.058.0	2	rivet 8 x 21
47	2.0112.307.2	4	screw m 10 p.1.5 x 20
48	2.1470.006.2	4	lock washer 10

9\_52661\_00\_0\_A

9\_12163\_00\_0\_0



**SILVER 160**

Section: POWER STEERING - HYDRAULIC SYSTEM

Ref.: 06.00.5

**POWER STEERING**

Fig.	Code	QTY	Name
1	0.011.4060.4	1	hydrosteering COMPONENT PARTS SEE COMPONENTS LIST ☞ 0.011.4060.4 ☞ 06.00.22
4	2.1560.014.0	5	gasket 18.2 x 24 x 1.5
5	2.3261.009.2	3	pipe fitting m 18 p.1.5-3/4"
6	0.011.5876.3	1	tube
8	0.009.2358.3/10	1	tube dx/rh/re
12	0.011.5988.3	1	tube
13	0.009.2359.3/10	1	tube
14	2.3335.008.2	1	pipe union m 18 p.1.5 x 32
15	0.284.8261.2	1	bracket
16	0.002.8816.0	1	small plate
17	2.1011.103.2	1	nut m 6 p.1
18	2.1470.002.2	1	washer 6, d128
19	2.1470.007.2	1	lock washer 12
20	2.0112.411.2	1	screw m 12 p.1.75 x 30
21	0.021.1668.0	1	small block
22	2.1011.107.2	1	nut m 12 p.1.75
23	0.98503.67.0	1	clamp

**POWER STEERING**

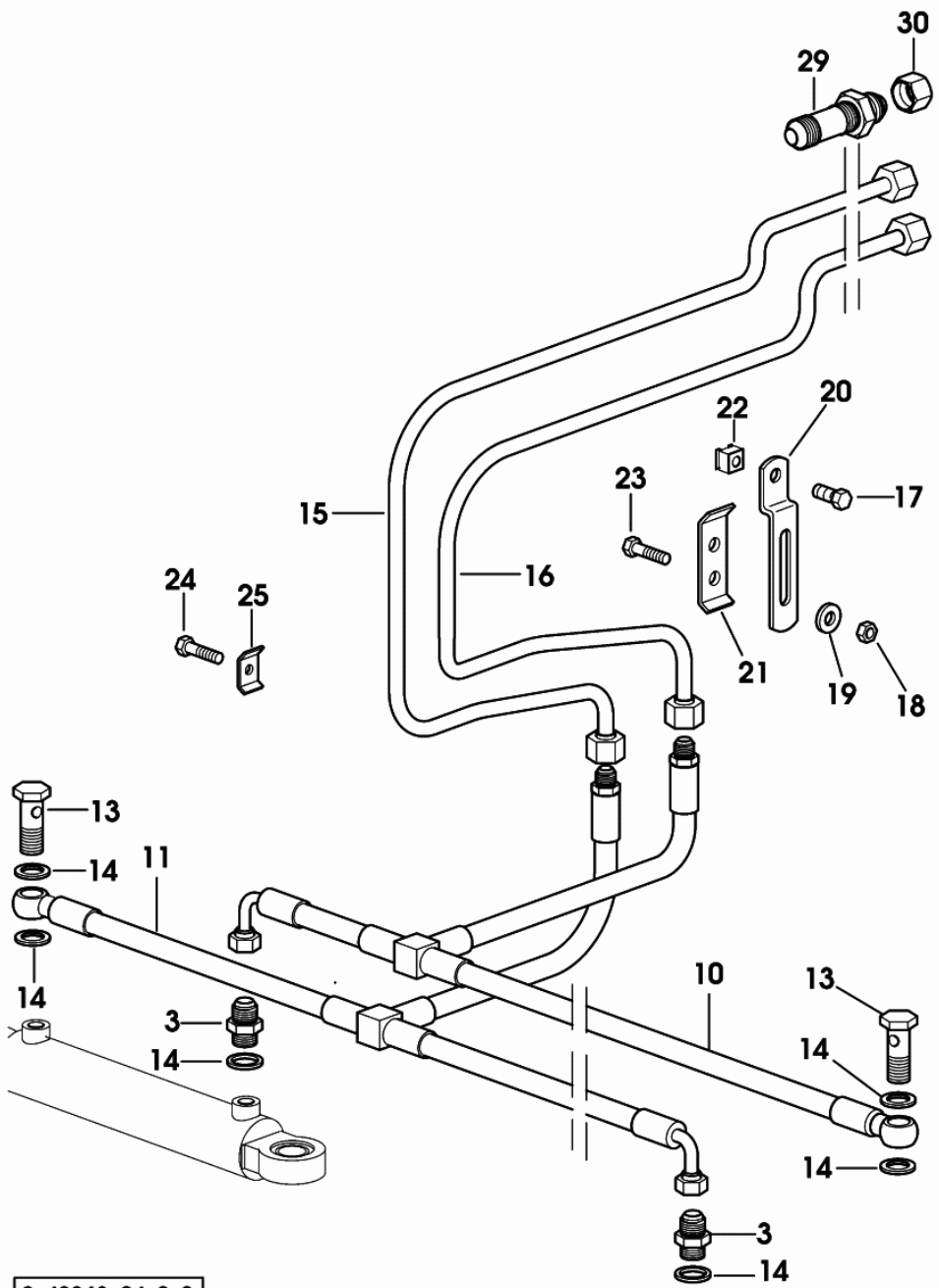
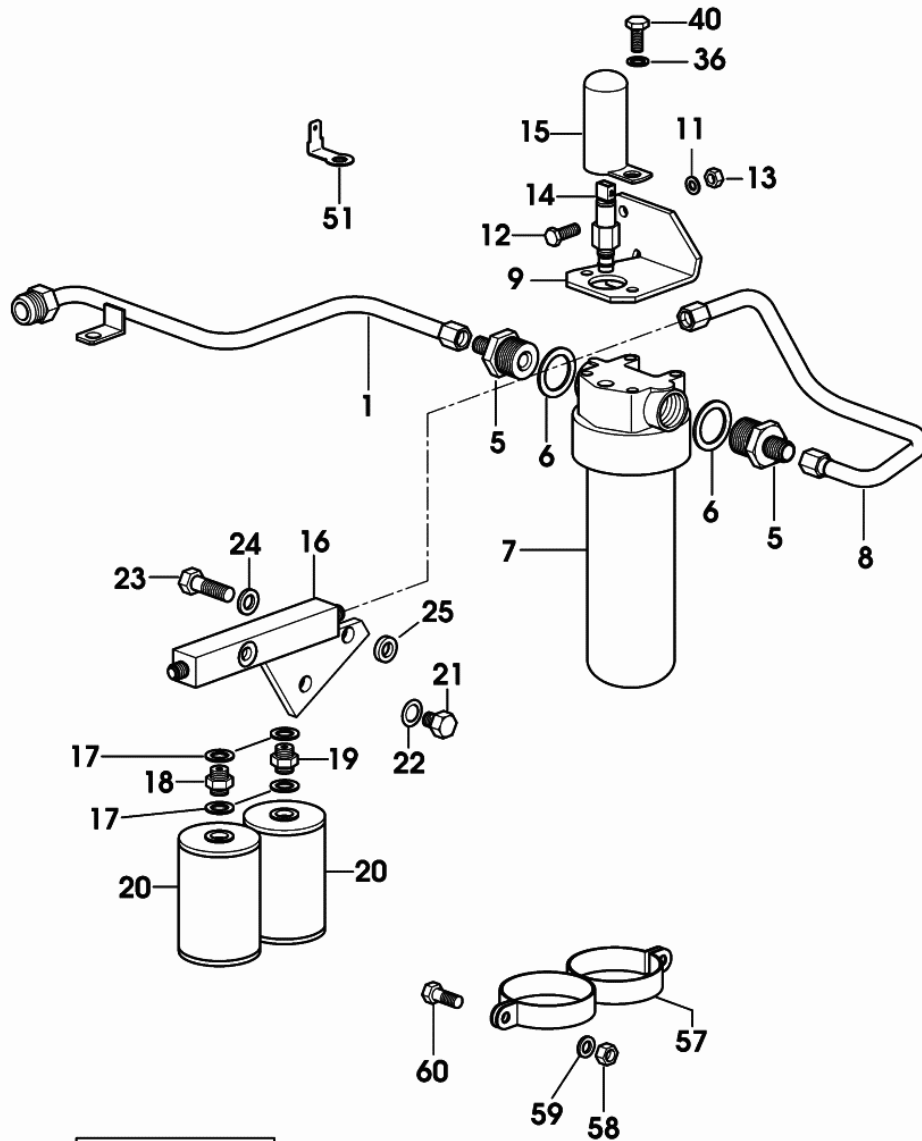


Fig.	Code	QTY	Name
3	2.3261.006.2	2	pipe fitting m 14 p.1.5-9/16"
10	0.009.2216.3/20	1	tube sx/lh/li
11	0.009.2214.3/30	1	tube
13	2.3335.006.2	2	pipe union m 14 p.1.5x24
14	2.1560.010.0	6	gasket 14.2 x 20 x 1.5
15	0.009.2217.3	1	tube
16	0.009.2218.3	1	tube
17	2.0112.003.2	1	screw m 6 p.1 x 12
18	2.1011.103.2	2	nut m 6 p.1
19	2.1470.002.2	2	washer 6, d128
20	0.006.6461.0/10	1	bracket
21	0.212.6370.0	1	clamp
22	2.6999.031.2	1	special nut m 6
23	2.0112.011.2	2	screw m 6 p.1x30
24	2.0112.009.2	2	screw m 6 p.1 x 25
25	0.154.6377.0	2	terminal
29	0.009.0858.0	2	pipe fitting 3/4 16jic
30	2.1019.099.2	2	nut 3/4" - 16JICMX8

9\_49263\_04\_0\_0

**OIL FLOW CONTROL VALVE CASING**



9\_12482\_01\_0\_A

Fig.	Code	QTY	Name
1	0.011.5959.3	1	tube
5	2.3339.816.2/10	2	pipe fitting 7/8"-14 jic / 1 Gas
6	2.1560.056.0	2	gasket 33x39
7	2.4419.490.0/10	1	filter
			COMPONENT PARTS SEE COMPONENTS LIST
			☞ 2.4419.490.0/10
			☞ 06.00.23
8	0.011.0480.3	1	tube
9	0.011.0478.0/10	1	bracket
11	2.1470.006.2	2	lock washer 10
12	2.0112.309.2	2	screw m 10 p.1.5 x 25
13	2.1011.106.2	2	nut m 10 p.1.5
14	2.7099.700.0	1	pressure switch
15	0.011.0481.2/20	1	guard
16	0.010.0519.3/10	1	body
17	2.1560.012.0	4	gasket 16.2 x 22 x 1.5
18	0.299.6358.0/10	1	pipe fitting M 16/M 16 Ø5
19	2.3339.905.2/10	1	pipe fitting m 16/m 16 Ø7
20	0.011.4186.2	2	vibration damper 270 cc
21	2.3110.402.1	1	plug m 12 p.1.5x10
22	2.1560.010.0	2	gasket 14.2 x 20 x 1.5
23	2.0112.517.2	2	screw m 14 p.2 x 45
24	2.1475.205.7	2	washer 15x35
25	2.1579.928.0	2	spacer 15x30x5
36	2.1480.014.1	11	washer 8
40	2.0312.206.2	6	screw m 8 p 1.25 x 20
51	0.164.8450.0	1	terminal
57	0.012.1708.0	1	clamp
58	2.1011.105.2	2	nut m 8 p.1.25
59	2.1310.004.2	2	flat washer 8.5
60	2.0112.207.2	2	screw m 8 p 1.25 x 20

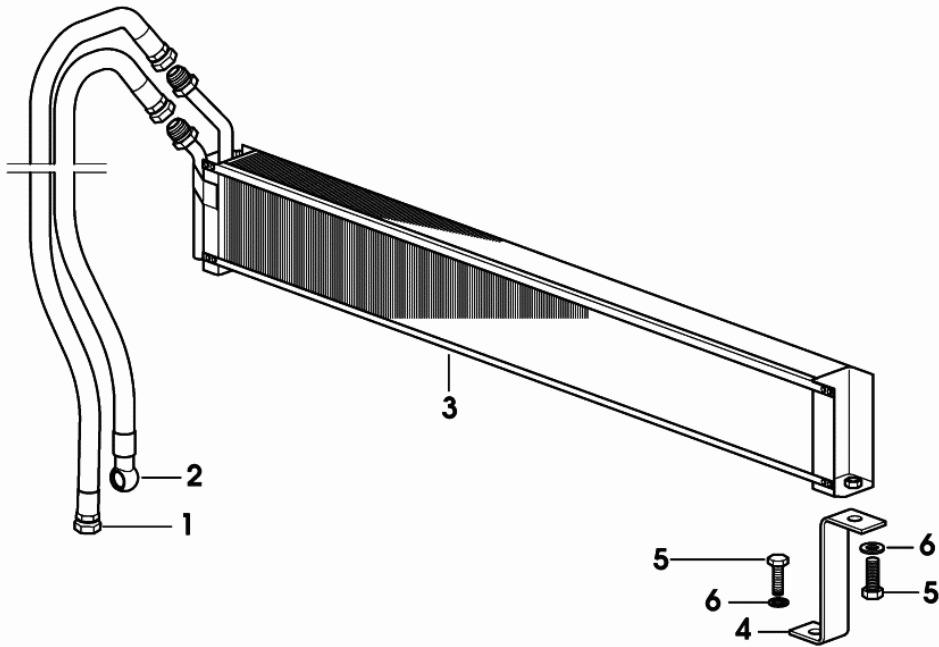


Fig.	Code	QTY	Name
1	0.010.8675.3	1	tube
2	0.009.1395.3/10	1	tube
3	0.010.8386.2/10	1	oil cooler
4	0.010.8665.0	2	support
5	2.0112.207.2	4	screw m 8 p 1.25 x 20
6	2.1474.009.2	4	spring washer 8

9\_50682\_13\_0\_0



**GEARBOX OIL COOLER**

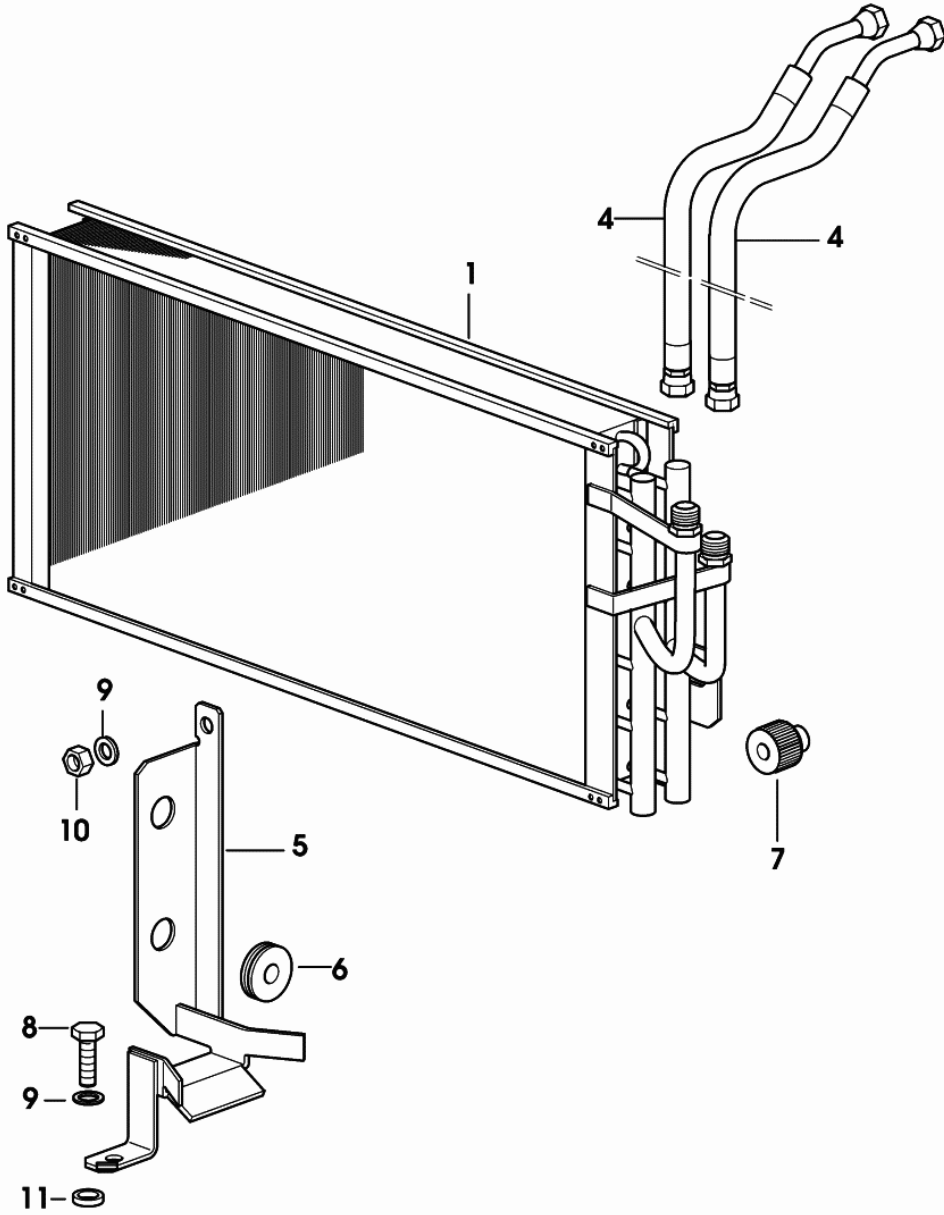
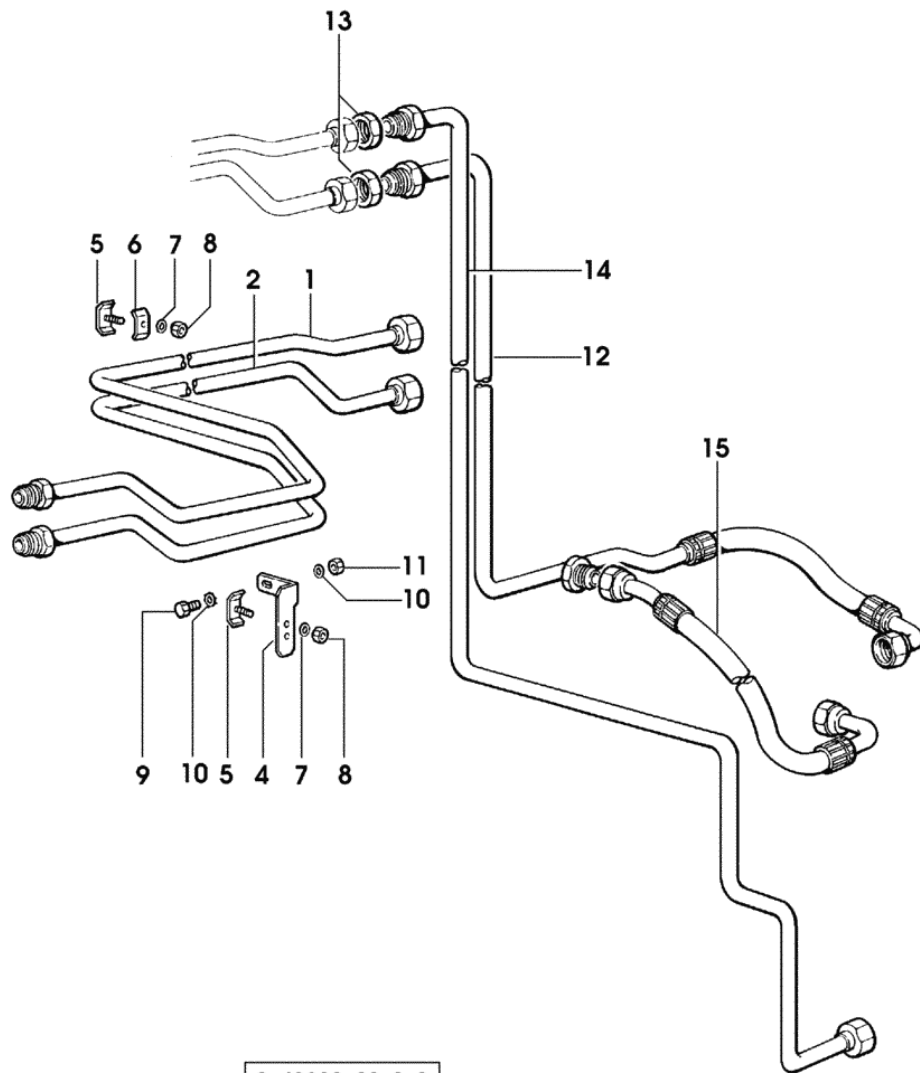


Fig.	Code	QTY	Name
1	0.010.8583.2/20	1	oil cooler
4	0.009.1804.3/50	2	tube
5	0.010.8584.2	1	support
6	2.6569.028.0	2	rubber plug 12 x 34 x 9.0
7	0.9107.669.2	1	knob
8	2.0112.207.2	1	screw m 8 p 1.25 x 20
9	2.1474.009.2	2	spring washer 8
10	2.1011.105.2	1	nut m 8 p.1.25
11	2.1579.822.0	1	spacer

9\_50682\_11\_0\_0

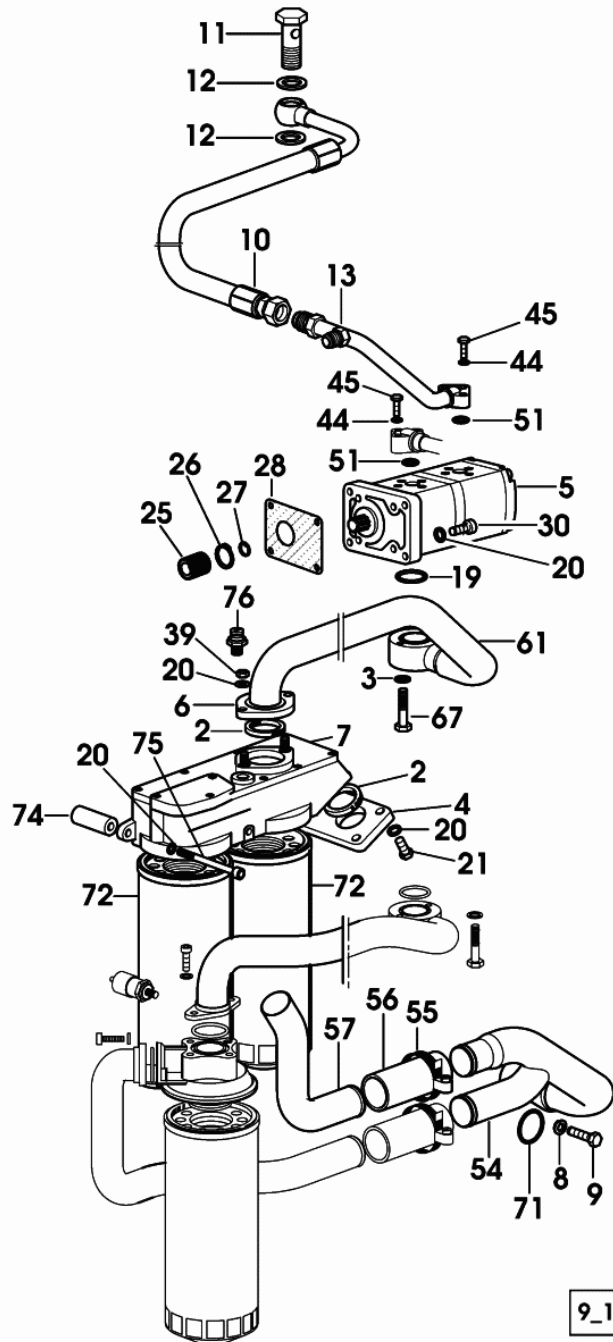
**GEAR BOX OIL RADIATOR TUBES**

Fig.	Code	QTY	Name
1	0.009.1820.3/10	1	tube
2	0.009.1821.3/10	1	tube
4	0.009.1824.0	1	bracket
5	0.154.6377.3	2	terminal
6	0.154.6377.0	1	terminal
7	2.1470.002.2	2	washer 6, d128
8	2.1011.103.2	2	nut m 6 p.1
9	2.0112.207.2	1	screw m 8 p 1.25 x 20
10	2.1470.004.2	2	washer 8
11	2.1011.105.2	1	nut m 8 p.1.25
12	0.009.2208.3/40	1	tube
13	2.1099.132.2	2	nut 1-1/16 - 12 JIC
14	0.008.4998.3/20	1	tube
15	0.009.2874.3/20	1	tube



9\_48882\_02\_0\_0

**PUMP FILTER SUCTION**



9\_12182\_00\_0\_0

Fig.	Code	QTY	Name
2	0.255.8255.0/40	2	gasket
3	2.1470.004.2	2	washer 8
4	0.9107.254.0	1	flange
5	2.4539.810.0/10	1	hydraulic pump 16+11 cc dx/rh/re COMPONENT PARTS SEE COMPONENTS LIST ☞ 2.4539.810.0/10 ☞ 06.00.24
6	0.9107.253.0	1	flange
7	0.9107.227.3/20	1	support
8	2.1470.006.2	2	lock washer 10
9	2.0112.307.2	2	screw m 10 p.1.5 x 20
10	0.009.2307.3/30	1	tube
11	2.3335.009.2	1	pipe union m 22 p.1.5 x 39
12	2.1560.017.0	2	gasket 22.2 x 27
13	0.011.3649.3/10	1	tube
19	2.1531.503.0	1	'o' ring 21.89x2.62
20	2.1480.014.1	12	washer 8
21	2.0312.206.2	4	screw m 8 p 1.25 x 20
25	0.008.4464.0/30	1	sleeve Z = 9 / Z = 17
26	2.1410.011.1	1	circlip 28
27	2.1411.003.1	1	circlip 14
28	0.163.6350.0	1	gasket
30	2.0312.210.2	4	screw m 8 p 1.25 x 30
39	2.1011.105.2	2	nut m 8 p.1.25
44	2.1470.002.2	6	washer 6, d128
45	2.0112.011.2	6	screw m 6 p.1x30
51	2.1531.037.0	2	'o' ring 15.08x2.62
54	0.009.2267.3/10	1	tube
55	2.6850.009.0	2	clamp 32-50
56	0.009.2325.0/20	1	sleeve 34x42x100
57	0.009.2270.0/10	1	tube
61	0.011.3656.3/10	1	tube
67	2.0112.215.2	2	screw m 8 p.1.25 x 40
71	2.1531.129.0	1	'o' ring 52.07x2.62
72	2.4419.320.0/10	2	hydr.oil filter elem
74	2.1579.956.0/10	2	spacer 8.5x20x52
75	2.0312.222.2	2	screw m 8 p.1.25 x 80
76	2.7099.660.0/10	1	pressure switch 0.4/0.5 BAR

**PUMP FILTER SUCTION**

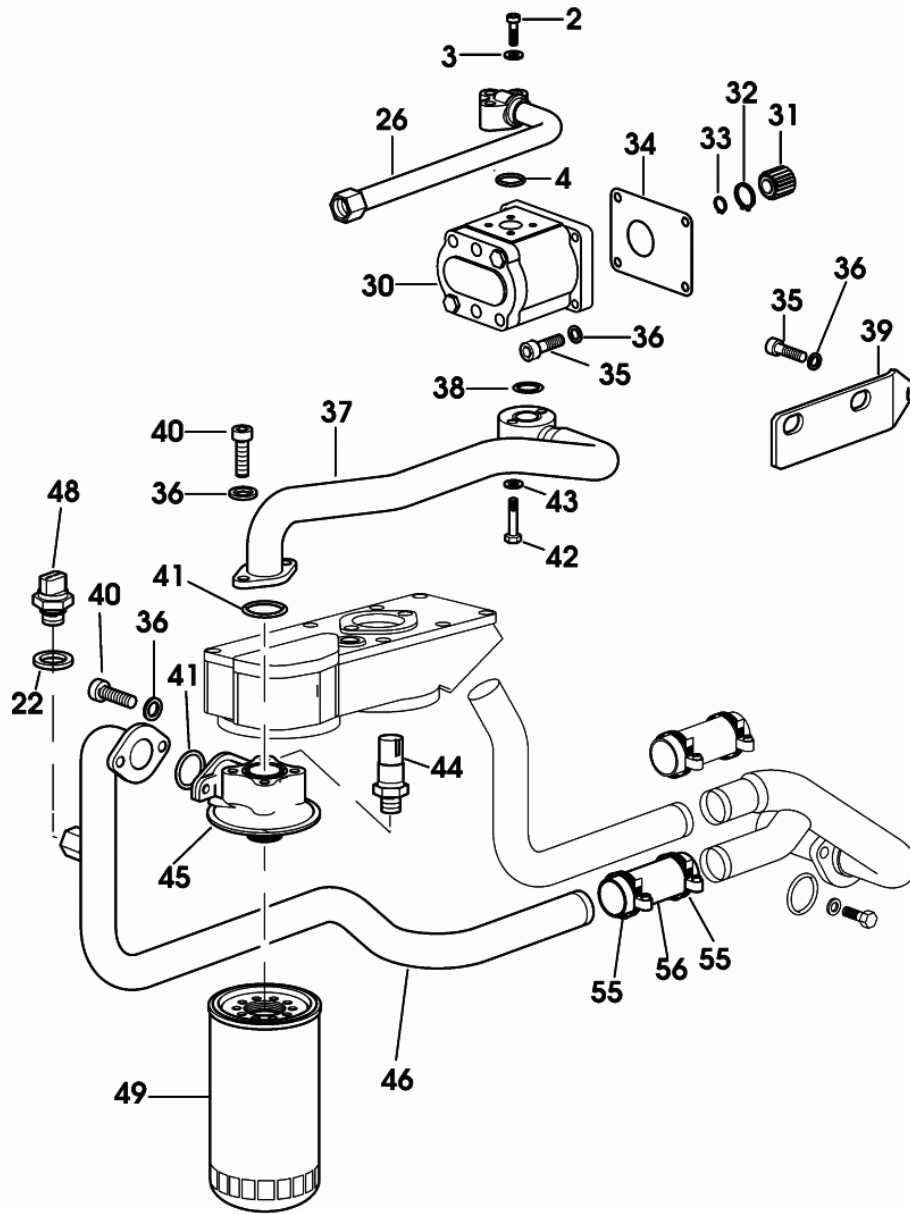


Fig.	Code	QTY	Name
2	2.0312.110.2	3	screw m 6 p.1x30
3	2.1480.012.1	3	washer 6, d128
4	2.1531.037.0	1	'o' ring 15.08x2.62
22	2.1560.010.0	2	gasket 14.2 x 20 x 1.5
26	0.011.5958.3	1	tube
30	2.4539.440.0	1	hydraulic pump 19 cc - sx/lh/li COMPONENT PARTS SEE COMPONENTS LIST ☞ 2.4539.440.0 ☞ 06.00.25
31	0.008.4464.0/30	1	sleeve Z = 9 / Z = 17
32	2.1410.011.1	1	circlip 28
33	2.1411.003.1	1	circlip 14
34	0.163.6350.0	1	gasket
35	2.0312.210.2	5	screw m 8 p 1.25 x 1.30
36	2.1480.014.1	11	washer 8
37	0.009.2269.3/20	1	tube
38	2.1531.503.0	1	'o' ring 21.89x2.62
39	0.009.2322.0/10	1	bracket
40	2.0312.206.2	6	screw m 8 p 1.25 x 20
41	2.1531.091.0	2	'o' ring 34.60 x 2.62
42	2.0112.215.2	2	screw m 8 p.1.25 x 40
43	2.1470.004.2	2	washer 8
44	2.7099.660.0/10	1	pressure switch 0.4/0.5 BAR
45	2.4419.350.1/40	1	head
46	0.009.2268.3/20	1	tube
48	2.7099.640.0/10	1	tempe guage
49	2.4419.320.0/10	1	hydr.oil filter elem
55	2.6850.009.0	2	clamp 32-50
56	0.009.2325.0/20	1	sleeve 34x42x100

9\_12482\_01\_0\_B

**PUMP FILTER SUCTION**

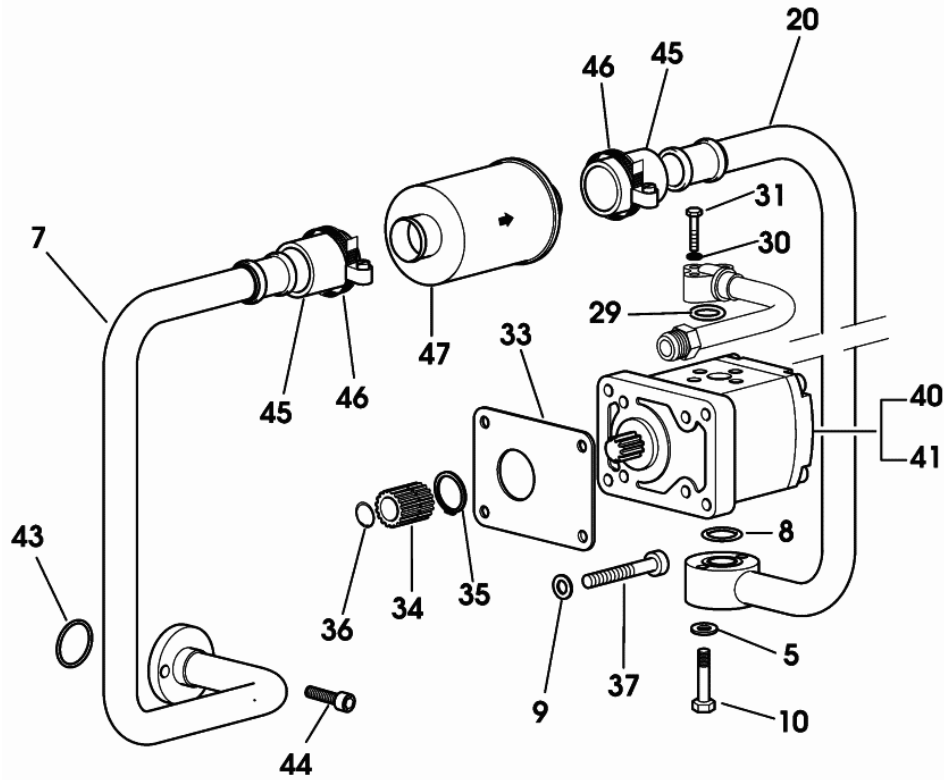
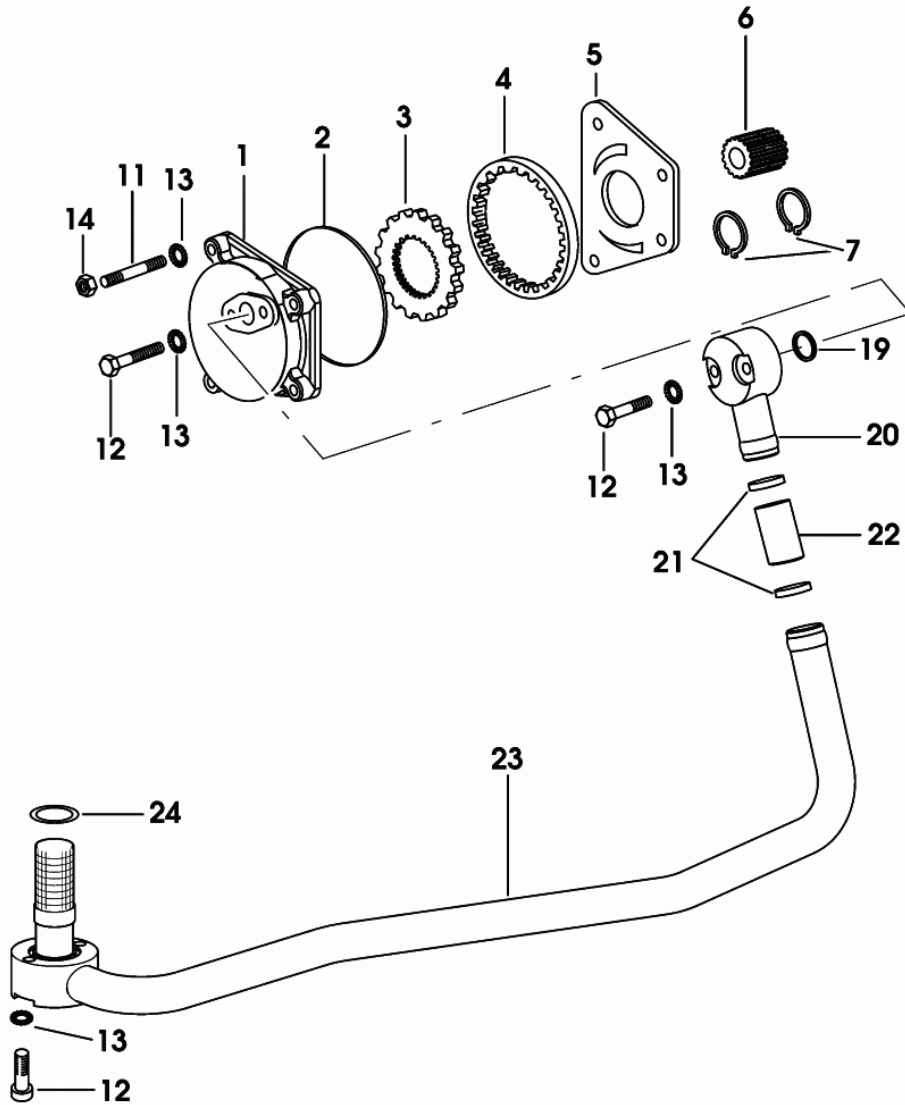


Fig.	Code	QTY	Name
5	2.1470.004.2	2	washer 8
7	0.011.3652.3	1	tube
8	2.1531.503.0	1	'o' ring 21.89x2.62
9	2.1480.014.1	4	washer 8
10	2.0112.215.2	2	screw m 8 p.1.25 x 40
20	0.011.3234.3	1	tube
29	2.1531.037.0	1	'o' ring 15.08x2.62
30	2.1470.002.2	3	washer 6, d128
31	2.0112.011.2	3	screw m 6 p.1x30
33	0.163.6350.0	1	gasket
34	0.008.4464.0/30	1	sleeve Z = 9 / Z = 17
35	2.1410.011.1	1	circlip 28
36	2.1411.003.1	1	circlip 14
37	2.0312.210.2	4	screw m 8 p 1.25 x 30
40	2.4539.270.0	1	hydraulic pump 11 cc dx/rh/re COMPONENT PARTS SEE COMPONENTS LIST ☞ 2.4539.270.0 ☞ 06.00.26
41	2.4539.280.0	0	hydraulic pump 11 cc dx/rh/re COMPONENT PARTS SEE COMPONENTS LIST ☞ 2.4539.280.0 ☞ 06.00.27
43	2.1531.071.0	1	'o' ring 26,64x2,62
44	2.0312.206.2	2	screw m 8 p 1.25 x 20
45	0.006.6239.0	2	sleeve mm 34x70
46	2.6850.009.0	4	clamp 32-50
47	2.4419.640.0	1	hydr.oil filter elem

9\_12482\_02\_0\_0

**PUMP FILTER SUCTION**

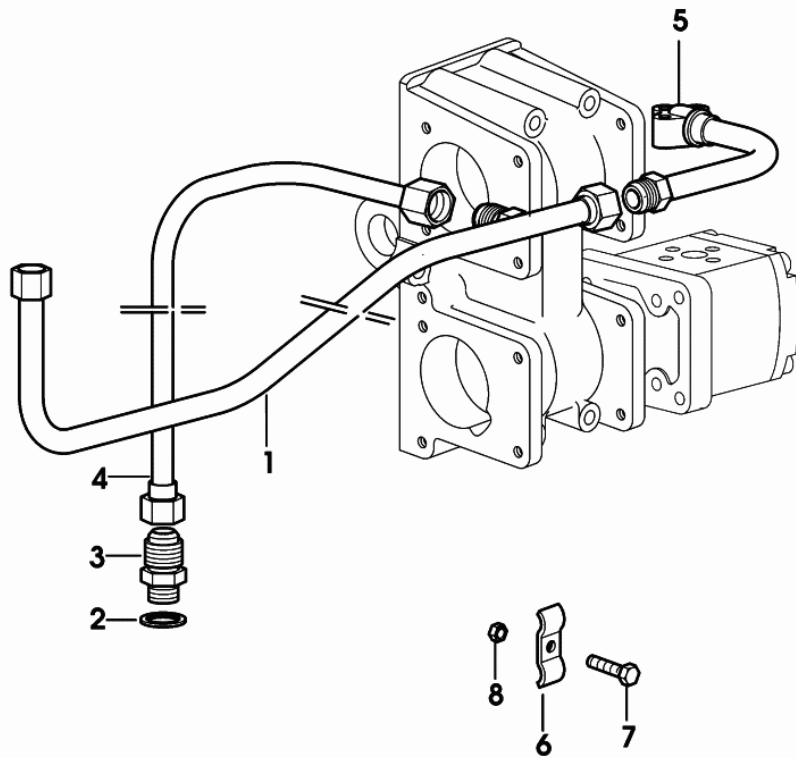
Fig.	Code	QTY	Name
1	0.009.2227.0/20	1	pump casing
2	2.1539.103.0/10	1	'o' ring 101.32 x 1.78
3	0.009.2230.0/20	1	pinion
4	0.009.2229.0/20	1	crown wheel
5	0.009.2228.0/10	1	flange
6	0.009.2231.0	1	sleeve
7	2.1410.011.1	2	circlip 28
11	2.0432.011.7	2	stud bolt m 8 p.1.25 / p.1 x 40
12	2.0112.215.2	6	screw m 8 p.1.25 x 40
13	2.1470.004.2	8	washer 8
14	2.1011.405.2	2	nut m 8 p.1
19	2.1531.058.0	1	'o' ring 22.22x2.62
20	0.009.2273.3/10	1	tube
21	2.6850.009.0	2	clamp 32-50
22	0.009.2365.0/10	1	sleeve
23	0.011.6621.3	1	tube
24	2.1531.091.0	1	'o' ring 34.60 x 2.62



9\_12482\_03\_0\_0

**TRANSMISSION LUBRICATION PIPES**

Fig.	Code	QTY	Name
1	0.011.2821.3/20	1	tube
2	2.1560.014.0	2	gasket 18.2 x 24 x 1.5
3	0.009.2467.4/20	1	valve
4	0.011.2819.3/10	1	tube
5	0.011.3232.3	1	tube
6	0.9032.255.0	2	bracket
7	2.0112.213.2	1	screw m 8 p.1.25 x 35
8	2.1011.105.2	1	nut m 8 p.1.25



9\_11363\_03\_0\_0

**HYDRAULIC PUMP CONTROL**

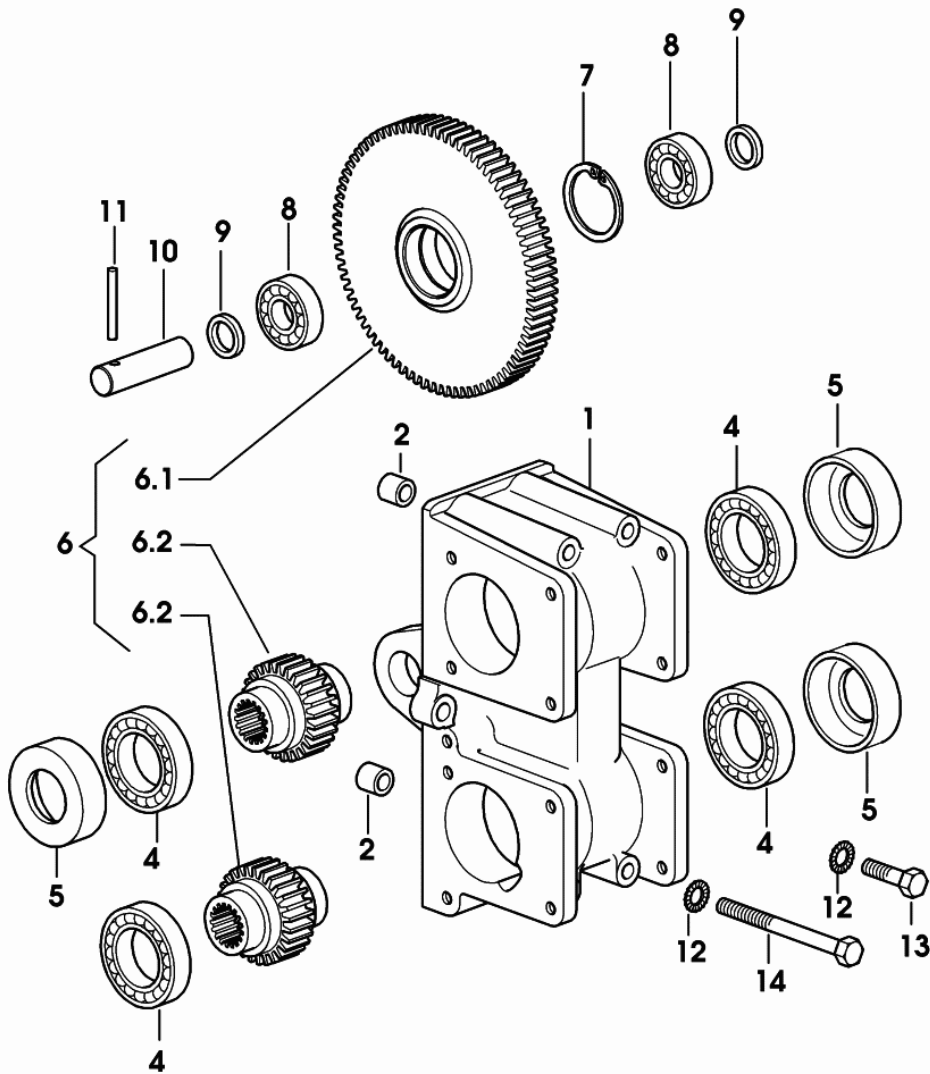


Fig.	Code	QTY	Name
1	0.008.4461.0/50	1	cover
2	2.1699.301.0	2	roll pin 11x18x16
4	2.2030.009.0	4	ball bearing 40x68x15
5	2.1549.049.0	3	spacer 36.5x68x21.5
6	0.000.0000.1	0	not serviceable
6.1	0.008.4462.0/10	1	gear z = 80
6.2	0.008.4463.0/10	2	gear z = 27
7	2.1411.019.1	1	circlip 47
8	2.2040.005.0	2	ball bearing iso 20 bc 02
9	2.1579.924.0	2	spacer 20.5x28x5
10	2.1669.046.0	1	pin 20x75
11	2.1630.617.0	1	roll pin 6x50
12	2.1470.006.2	6	lock washer 10
13	2.0112.313.2	2	screw m 10 p.1.5 x 35
14	2.0112.330.2	4	screw m 10 p.1.5x120

9\_49282\_00\_0\_0



**OIL FLOW CONTROL VALVE CASING**

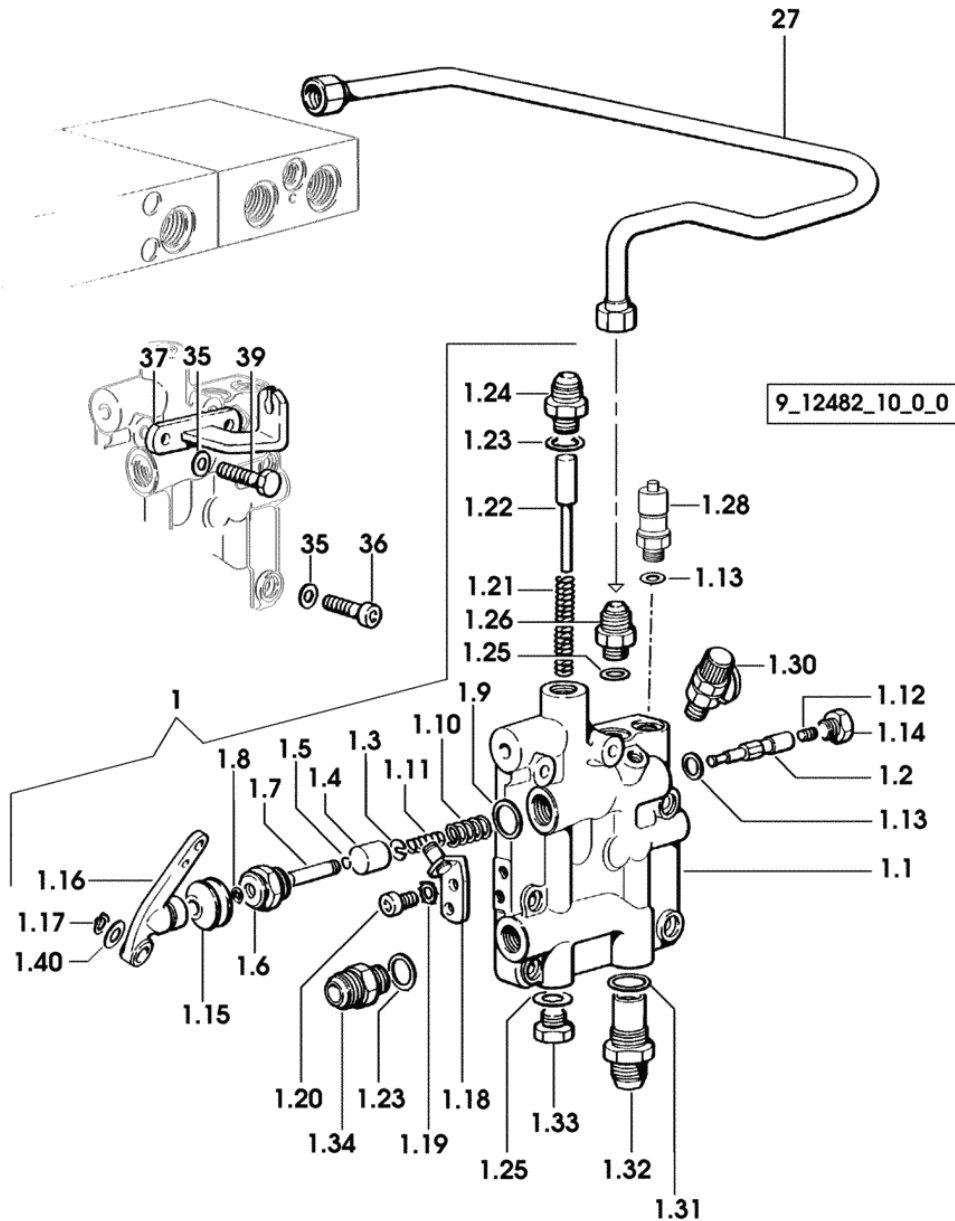


Fig.	Code	QTY	Name
1	0.011.3645.4/10	1	valve
1.1	0.000.0000.1	0	not serviceable
1.2	0.009.2153.0/10	1	slider
1.3	2.1499.099.0	1	stop
1.4	0.009.2151.0/20	1	small piston
1.5	2.1420.002.0	1	circlip a 8
1.6	2.3199.235.0/10	1	pipe fitting
1.7	2.1699.292.0/20	1	ferrule
1.8	2.1532.014.0	1	'o' ring 7.65 x 1.78
1.9	2.1560.016.0	1	gasket 20.2 x 26
1.10	2.4019.442.1/10	1	spring
1.11	2.4019.443.1/40	1	spring 6.4x9.4x1.5x31
1.12	2.0599.081.1	1	grain m 5 p.0.8x6
1.13	2.1560.008.0	2	gasket 12.2 x 18
1.14	2.3199.178.2	1	plug m 12 p.1.25
1.15	0.009.2479.0/10	1	guard
1.16	0.009.2490.3/30	1	lever
1.17	2.1410.001.1	1	circlip 10
1.18	0.009.2491.3/10	1	square
1.19	2.1480.014.1	2	washer 8
1.20	2.0312.204.2	2	screw m 8 p.1.25 x 16
1.21	2.4019.431.1/30	1	spring 6.9x11.3x2.2x64
1.22	0.009.2418.0/10	1	slider
1.23	2.1560.014.0	2	gasket 18.2 x 24 x 1.5
1.24	2.3339.546.2	1	pipe fitting
1.25	2.1560.010.0	2	gasket 14.2 x 20 x 1.5
1.26	2.3339.146.2	1	pipe fitting m 14 p.1.5-3/4 gas
1.28	2.7099.690.0/10	1	pressure switch 4 bar
1.30	0.009.2923.4	1	socket
1.31	2.1560.017.0	1	gasket 22.2 x 27
1.32	2.3261.012.2	1	pipe fitting m 22 p.1.5-7/8"
1.33	2.3110.403.1	1	plug m 14 p.1.5
1.34	2.3339.235.2	1	pipe fitting M 18 x 1" 1/16-12jic
1.40	2.1311.007.2	1	flat washer 10
27	0.009.2800.3	1	tube
35	2.1480.014.1	6	washer 8
36	2.0312.212.2	4	screw m 8 p.1.25 x 35
37	0.009.2795.2/20	1	square
39	2.0312.217.2	2	screw m 8 p.1.25x55

**SOLENOID VALVE CASING**

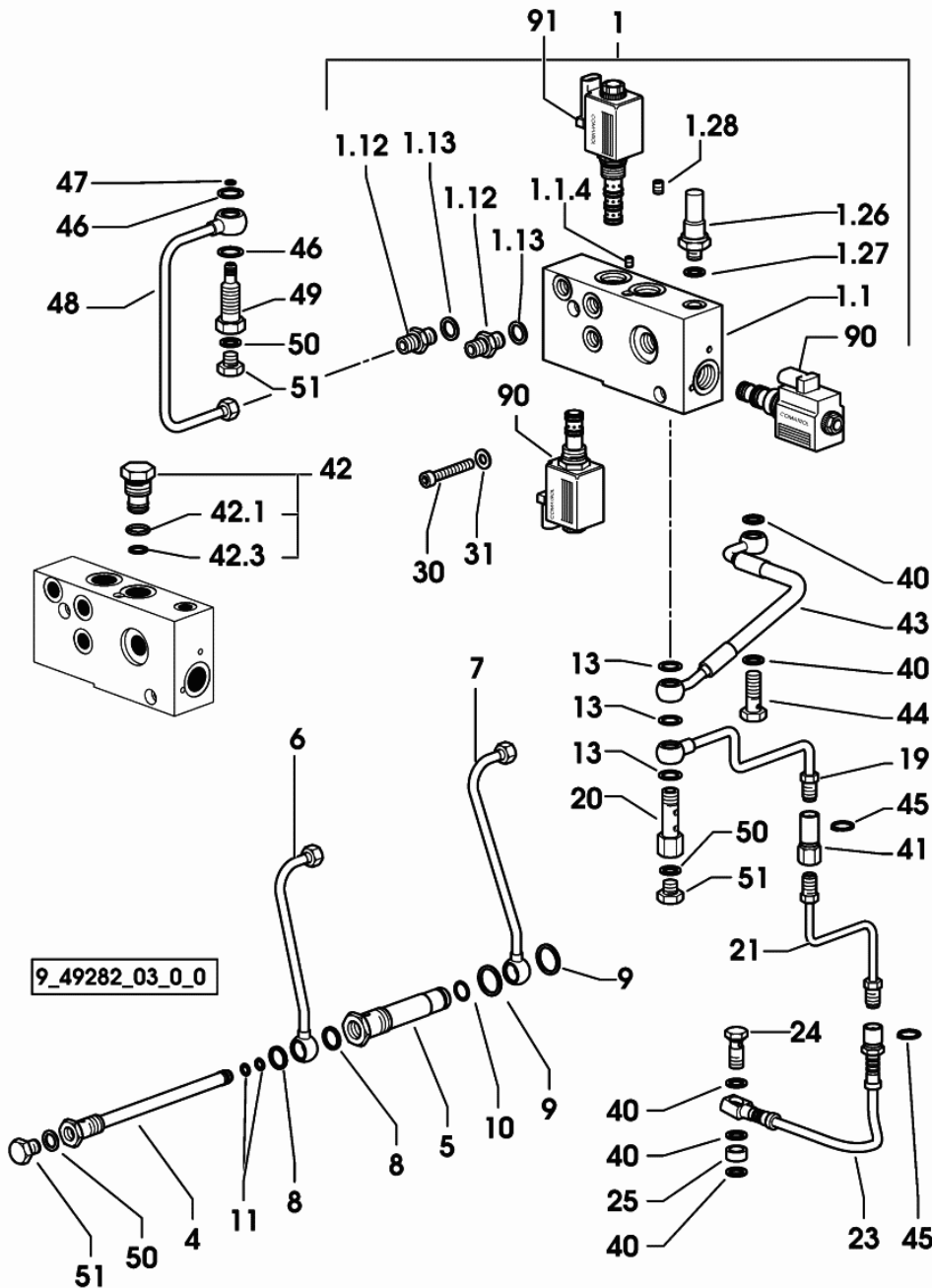


Fig.	Code	QTY	Name
1	0.006.6161.6/80	1	valve body
1.1	0.006.6160.3/20	1	small block ( EV )
1.1.4	2.0599.056.0	1	grain m 6x8 mm 1.2
1.12	2.3261.005.2	2	pipe fitting m 14 p.1.5-1/2"
1.13	2.1560.010.0	2	gasket 14.2 x 20 x 1.5
1.26	2.7099.670.0/10	1	pressure switch 15 bar
1.27	2.1560.008.0	1	gasket 12.2 x 18
1.28	2.3199.171.1	1	plug m 8 p.1 x 8
4	0.010.9907.0	1	pipe fitting
5	0.006.6456.0/10	1	pipe fitting
6	0.006.6495.3/20	1	tube
7	0.006.6496.3/20	1	tube
8	2.1560.011.0	2	gasket 16.2x20
9	2.1560.017.0	2	gasket 22.2 x 27
10	2.1531.039.0	1	'o' ring 16
11	2.1531.016.0	1	ring 8.74 x 1.78
13	2.1560.010.0	5	gasket 14.2 x 20 x 1.5
19	0.009.3387.3/10	1	tube
20	2.3339.599.2/20	1	pipe union m 14 p.1.5X42
21	0.009.3383.3/10	1	tube
23	0.009.2355.3/10	1	tube
24	2.3339.361.2/10	1	pipe union m 12 p.1.25 x 28
25	2.1579.765.2/10	1	spacer 12.5 x 18 x 8.0
30	2.0312.216.2	2	screw m 8 p.1.25x50
31	2.1480.014.1	2	washer 8
40	2.1560.008.0	5	gasket 12.2 x 18
41	0.277.4354.0/10	1	pipe fitting
42	0.006.6161.4	1	plug
42.1	2.1530.048.0	1	'o' ring 18.72x2.62
42.3	2.1530.035.0	1	'o' ring 14.00x1.78
43	0.010.0116.3	1	tube
44	2.3332.003.1	1	pipe union m 12 p.1.25
45	2.1410.004.1	2	circlip 16
46	2.1560.012.0	2	gasket 16.2 x 22 x 1.5
47	2.1531.012.0	1	'o' ring 6.75 x 1.78
48	0.009.3389.3/10	1	tube
49	2.3339.554.2/40	1	pipe fitting
50	2.1560.008.0	3	gasket 12.2 x 18
51	2.3110.402.7	3	plug m 12 p.1.5
90	2.3729.240.0/30	2	electro valve 13V - 20W

COMPONENT PARTS SEE  
COMPONENTS LIST  
☞ 2.3729.240.0/30  
☞ 06.00.10

**SOLENOID VALVE CASING**

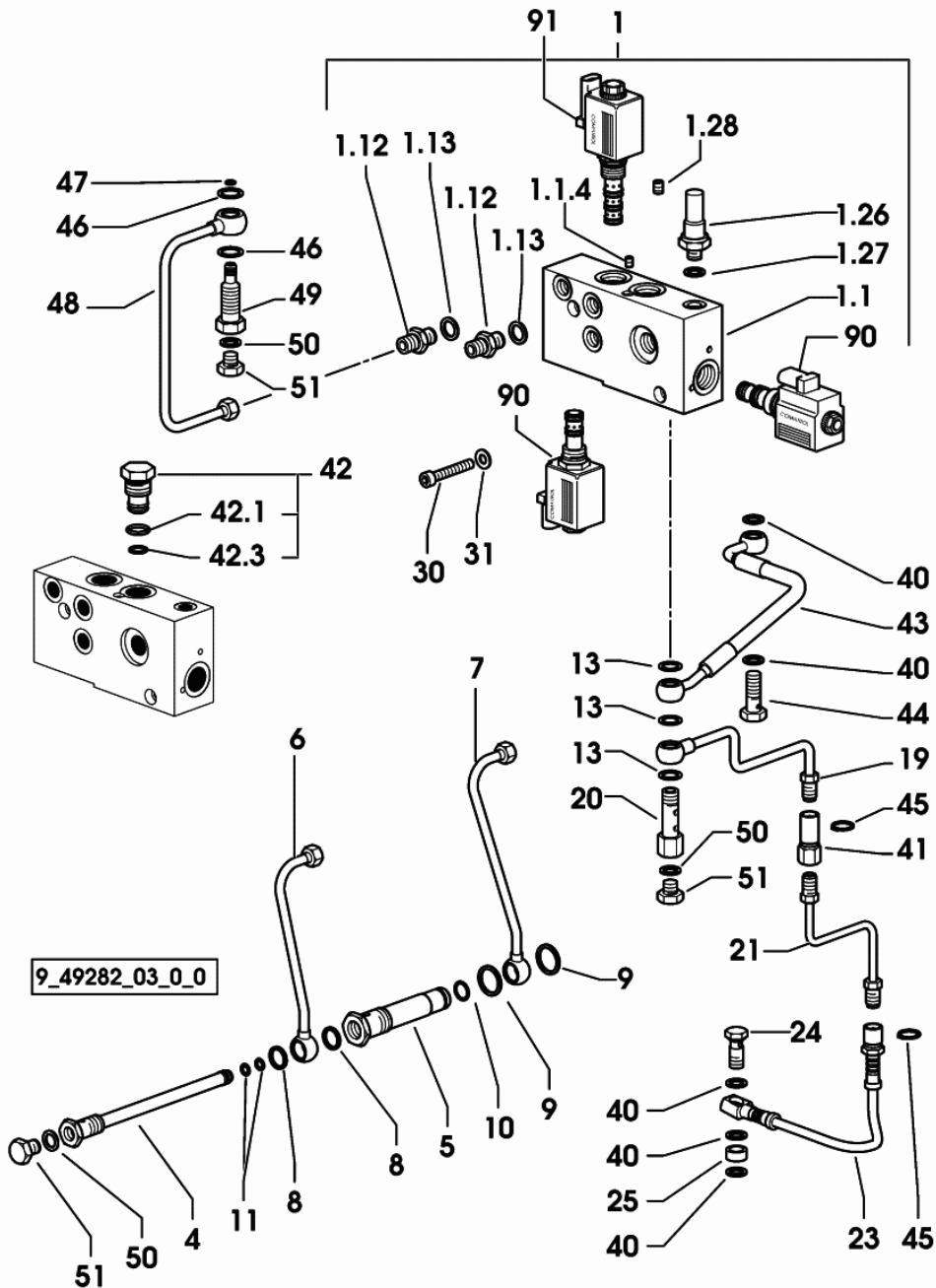


Fig.	Code	QTY	Name
91	2.3729.250.0/30	1	electro valve 13 V - 20 W COMPONENT PARTS SEE COMPONENTS LIST ☞ 2.3729.250.0/30 ☞ 06.00.28

# SILVER 160

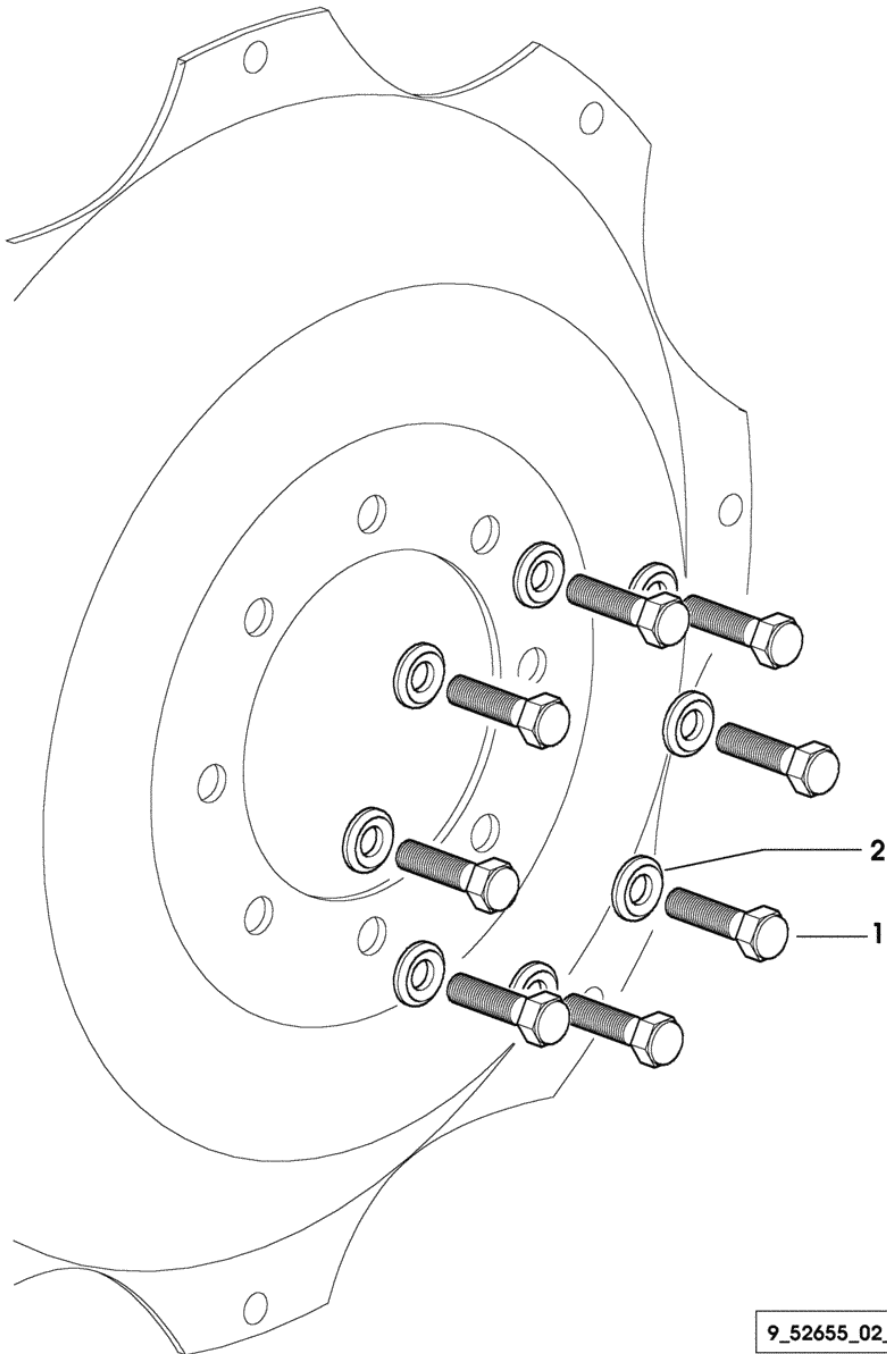
## WHEELS

### GENERAL

FRONT WHEEL MOUNTING.....	09.00.1
REAR WHEEL BOLTS.....	09.00.2
WHEELS 16.9R-30" a8.....	09.00.3
WHEELS 16.9R30" a8.....	09.00.4
WHEELS 480/70R30" a8.....	09.00.5
WHEELS 480/70R30" a8.....	09.00.6
WHEELS 540/65R30".....	09.00.7
WHEELS 20.8R38" a8.....	09.00.11
WHEELS 20.8R38" a8.....	09.00.12
WHEELS 580/70R-38" a8.....	09.00.13
WHEELS 650/65R38".....	09.00.14
WHEELS 650/65R38".....	09.00.15

Section: WHEELS  
**FRONT WHEEL MOUNTING**

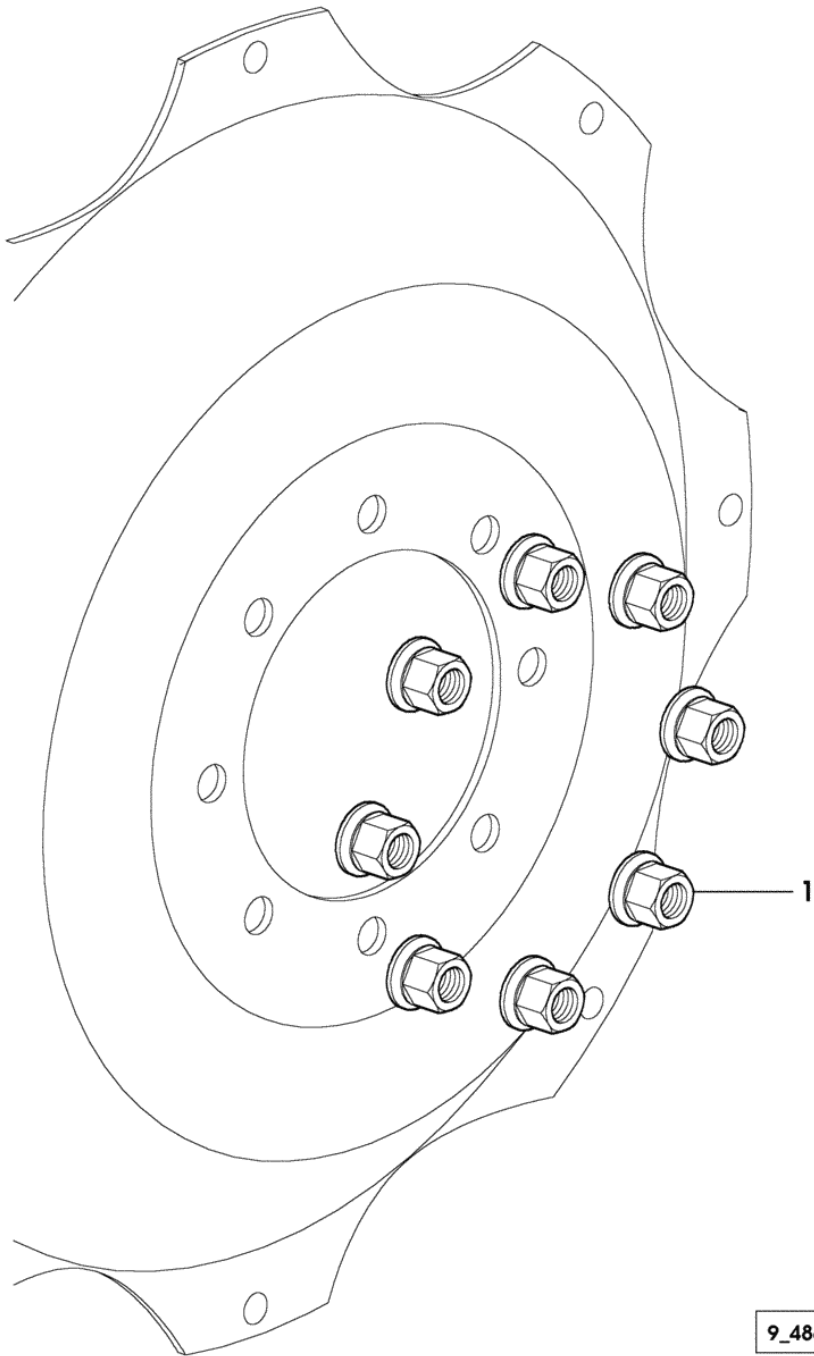
Fig.	Code	QTY	Name
1	2.0399.140.6	16	screw m 18 p.1.5 x 60
2	2.1599.501.6/10	16	washer 19 x 40 x 7.5



9\_52655\_02\_0\_0

Section: WHEELS  
**REAR WHEEL BOLTS**

Fig.	Code	QTY	Name
1	2.1099.085.0/20	16	special nut m 22 x 1.5



9\_48855\_03\_0\_0

Section: WHEELS

**WHEELS 16.9R-30" a8**

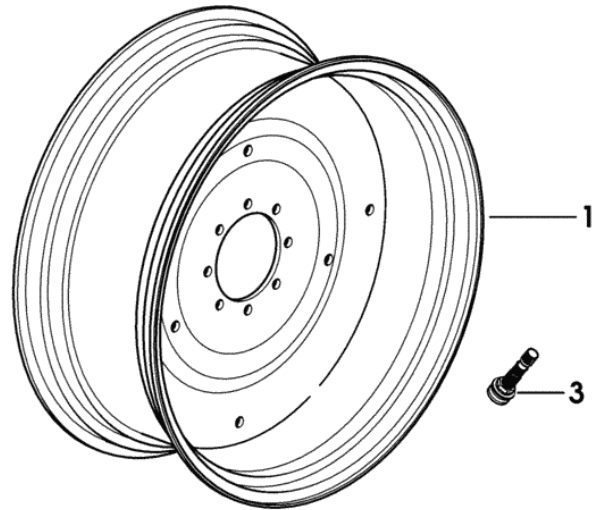


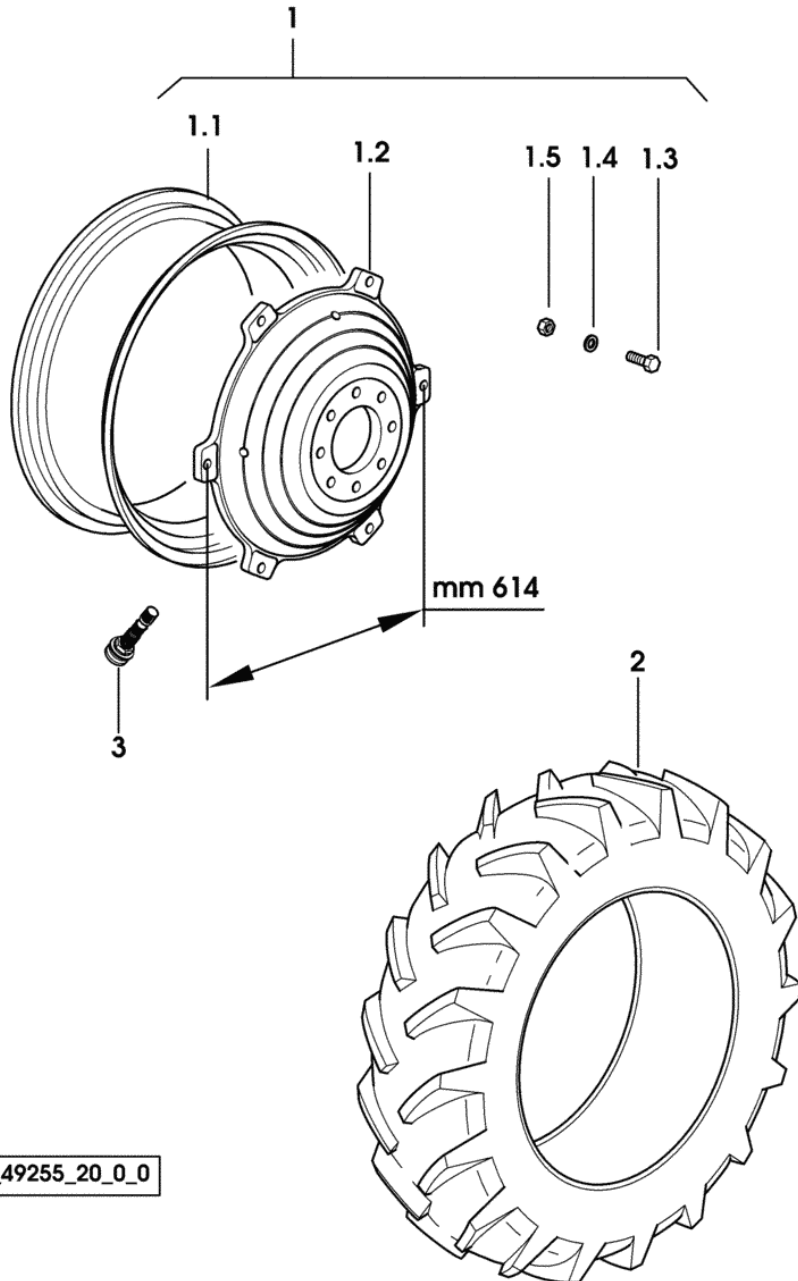
Fig.	Code	QTY	Name
1	0.012.9317.3	2	rim
2	2.4811.055.0	2	tyre 420/85R30"(16.9R30")
3	0.012.6364.0	2	valve



9\_49255\_23\_0\_0

Section: WHEELS  
**WHEELS 16.9R30" a8**

Fig.	Code	QTY	Name
1	0.000.0000.1	0	not serviceable
1.1	0.011.6561.3	1	rim DWW 15Lx30" C/ST.
1.2	0.257.5516.0	1	rim center flange 30"
1.3	2.0399.204.6/10	6	screw m 18 p.1.5x80
1.4	2.1499.018.6	6	conical washer 18 x 35.5
1.5	2.1019.060.6	6	nut m 18 p.1.5
2	2.4811.055.0	2	tyre 420/85R30"(16.9R30")
3	0.012.6364.0	2	valve



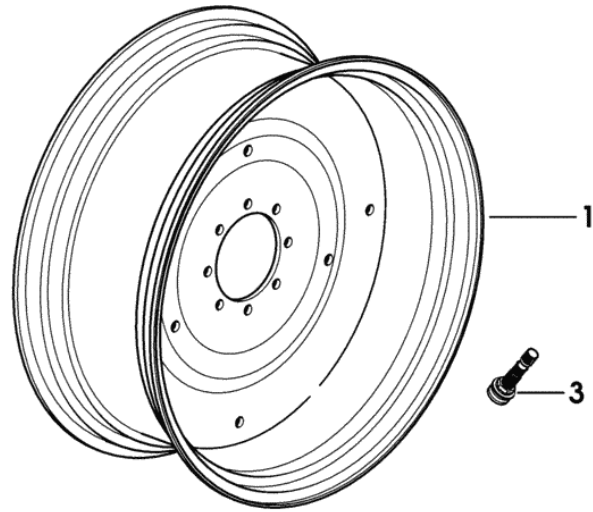
9\_49255\_20\_0\_0



## Section: WHEELS

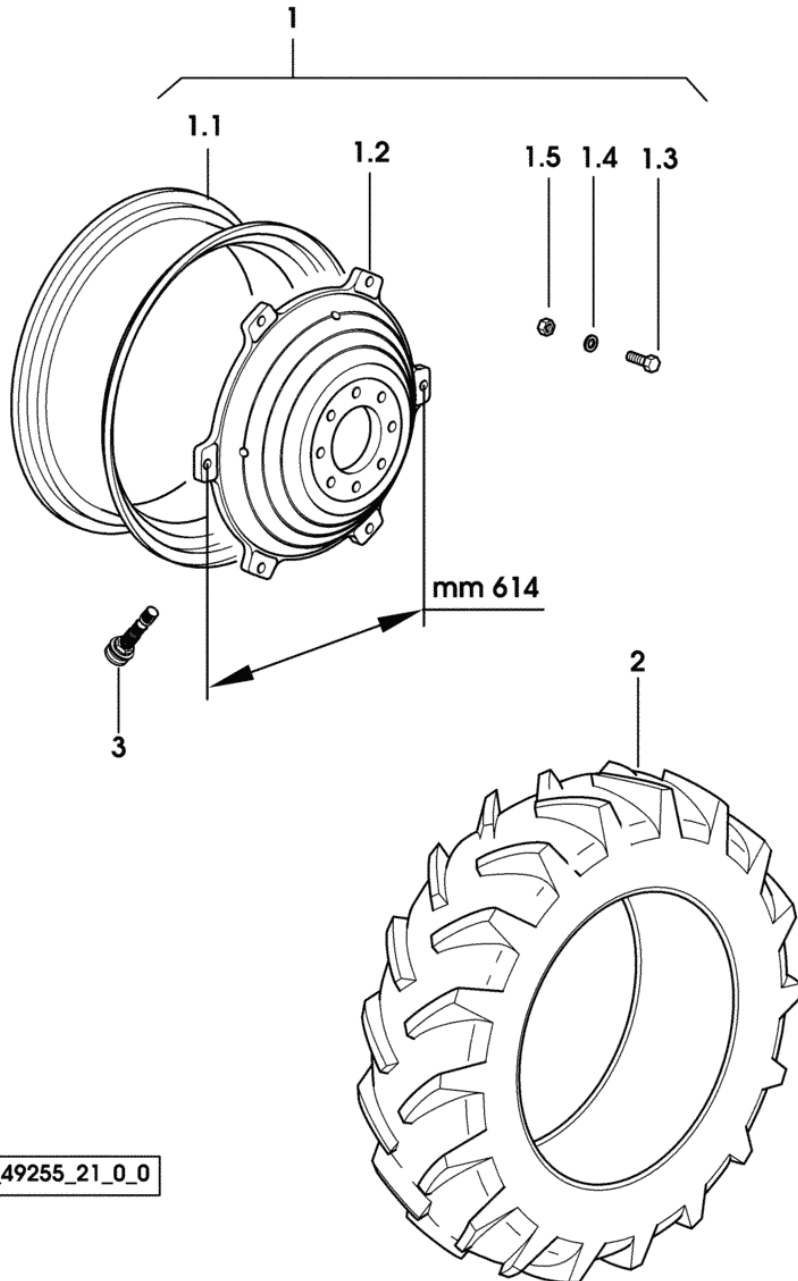
**WHEELS 480/70R30" a8**

Fig.	Code	QTY	Name
1	0.012.9317.3	2	rim
2	2.4811.075.0	2	tyre 480/70R30" a8
3	0.012.6364.0	2	valve



Section: WHEELS  
**WHEELS 480/70R30" a8**

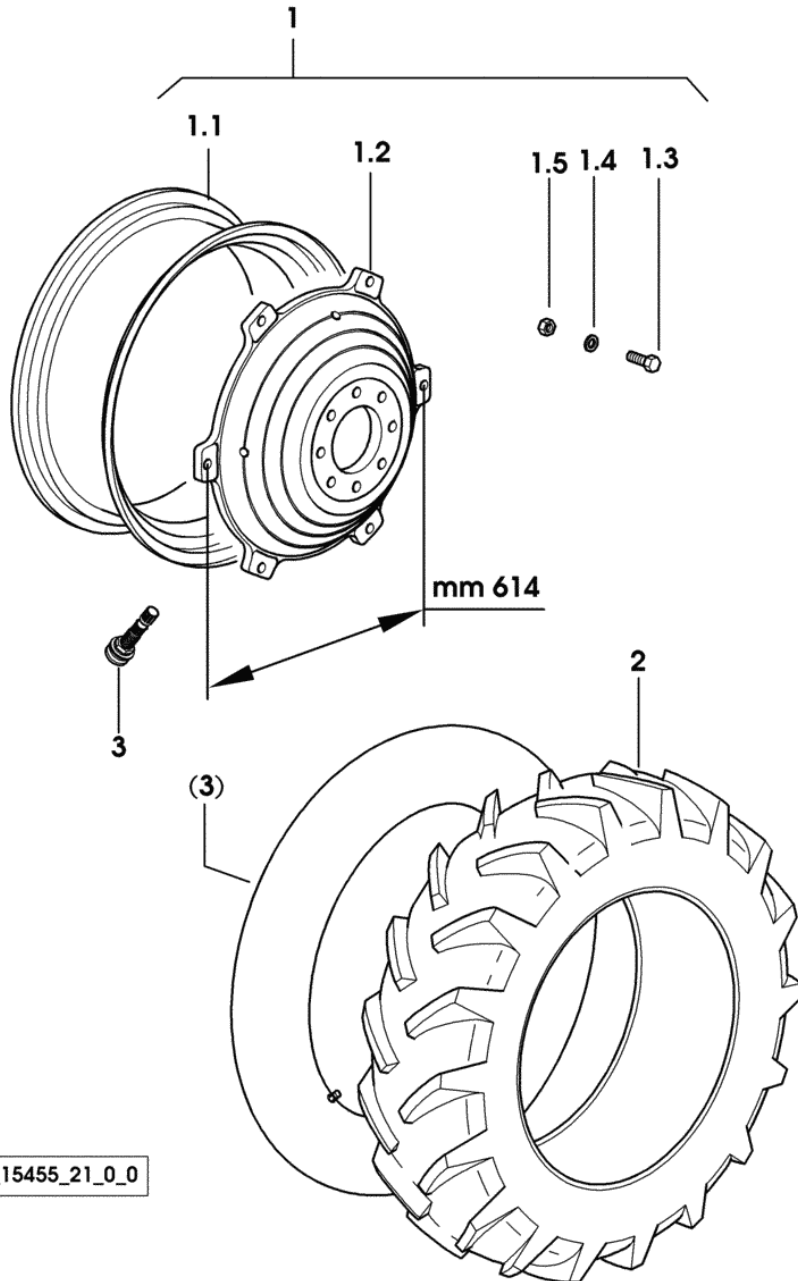
Fig.	Code	QTY	Name
1	0.000.0000.1	0	not serviceable
1.1	0.011.6561.3	1	rim DWW 15Lx30" C/ST.
1.2	0.257.5516.0	1	rim center flange 30"
1.3	2.0399.204.6/10	6	screw m 18 p.1.5x80
1.4	2.1499.018.6	6	conical washer 18 x 35.5
1.5	2.1019.060.6	6	nut m 18 p.1.5
2	2.4811.075.0	2	tyre 480/70R30" a8
3	0.012.6364.0	2	valve



9\_49255\_21\_0\_0

Section: WHEELS  
**WHEELS 540/65R30"**

Fig.	Code	QTY	Name
1	0.000.0000.1	0	not serviceable 3564 <- X SILVER 160 -> 3565 X SILVER 160
1.1	0.011.8122.3	1	rim DWW 16Lx30" C/ST
1.1	0.012.3000.3	1	rim DWW 15Lx30" C/ST.
1.2	0.257.5516.0	1	rim center flange 30"
1.3	2.0399.204.6/10	6	screw m 18 p.1.5x80
1.4	2.1499.018.6	6	conical washer 18 x 35.5
1.5	2.1019.060.6	6	nut m 18 p.1.5
2	2.4811.127.0	2	tyre 540/65R30"143A8
3	0.012.6364.0	2	valve

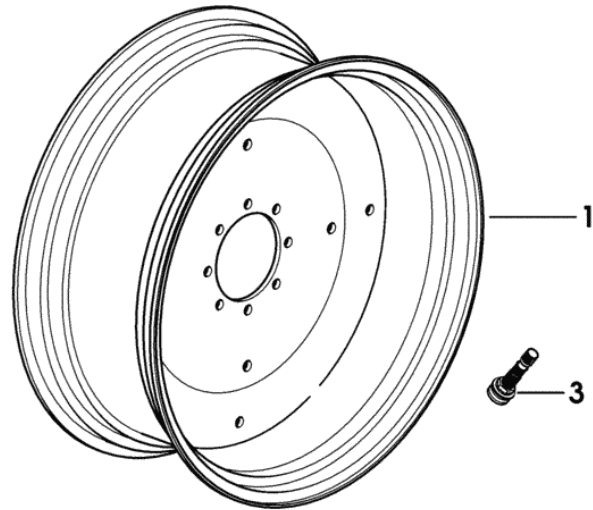


9\_15455\_21\_0\_0

## Section: WHEELS

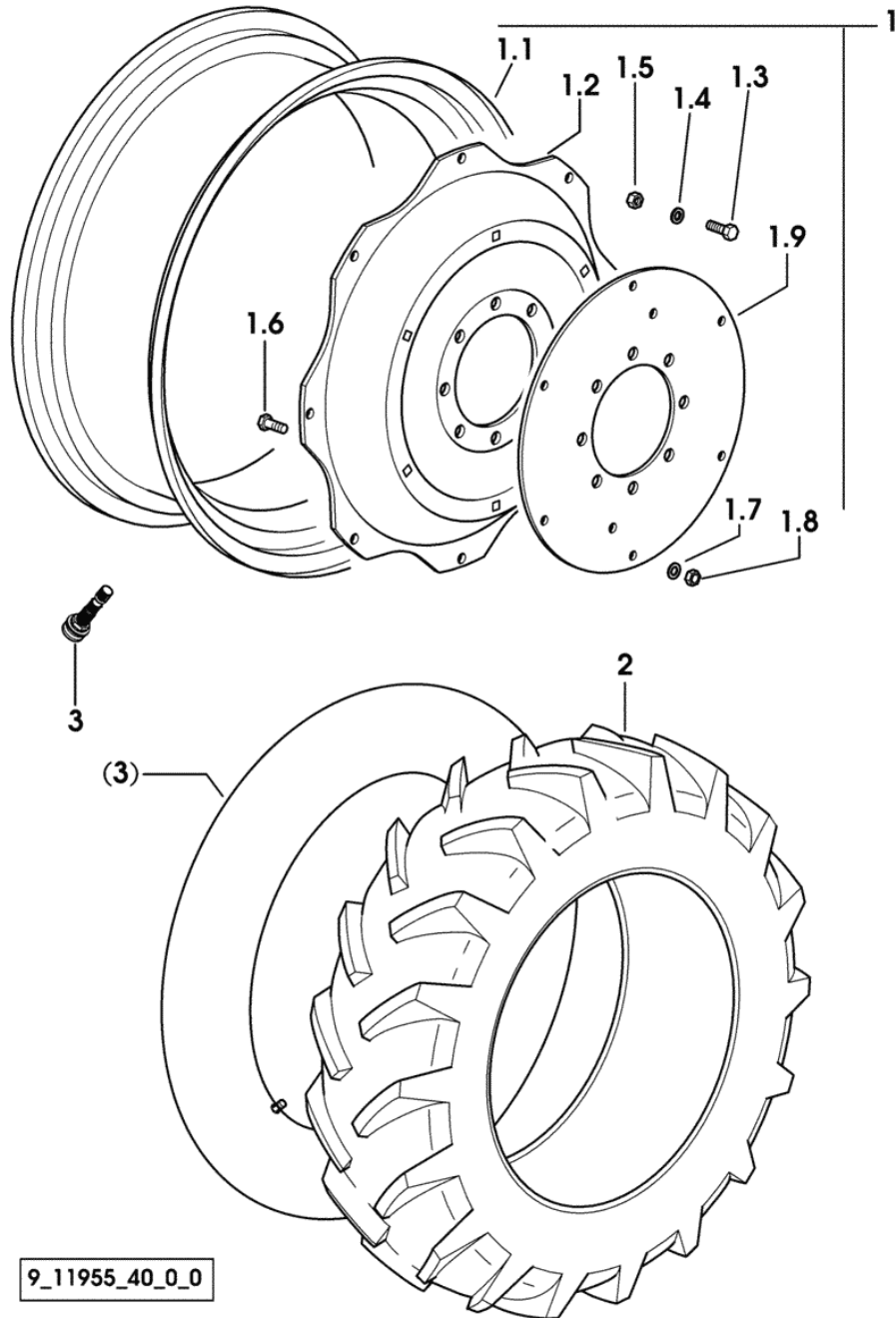
**WHEELS 20.8R38" a8**

Fig.	Code	QTY	Name
1	0.012.3098.3	2	rim DWW18LX38"
2	2.4811.067.0	2	tyre 520/85R38"(20.8R38")
3	0.012.6364.0	2	valve



Section: WHEELS  
**WHEELS 20.8R38" a8**

Fig.	Code	QTY	Name
1	0.000.0000.1	0	not serviceable
1.1	0.012.2886.3	1	rim
1.2	0.241.5527.0	1	rim center flange
1.3	2.0399.090.6/10	8	screw m 18 p.1.5x125
1.4	2.1499.018.6	8	conical washer 18 x 35.5
1.5	2.1019.060.6	8	nut m 18 p.1.5
1.6	2.0122.617.6	6	screw m 16 p.1.5x45
1.7	2.1310.010.6	6	washer 17x30
1.8	2.1019.059.6	6	nut m 16 p.1.5 x 16
1.9	0.009.1672.0	1	brace
2	2.4811.067.0	2	tyre 520/85R38"(20.8R38")
3	0.012.6364.0	2	valve



9\_11955\_40\_0\_0

## Section: WHEELS

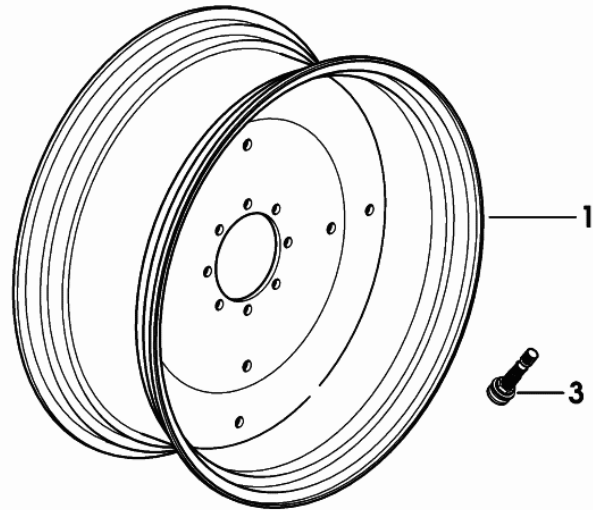
**WHEELS 580/70R-38" a8**

Fig.	Code	QTY	Name
1	0.012.3098.3	2	rim DWW18LX38"
2	2.4811.076.0	2	tyre 580/70R38" a8
3	0.012.6364.0	2	valve

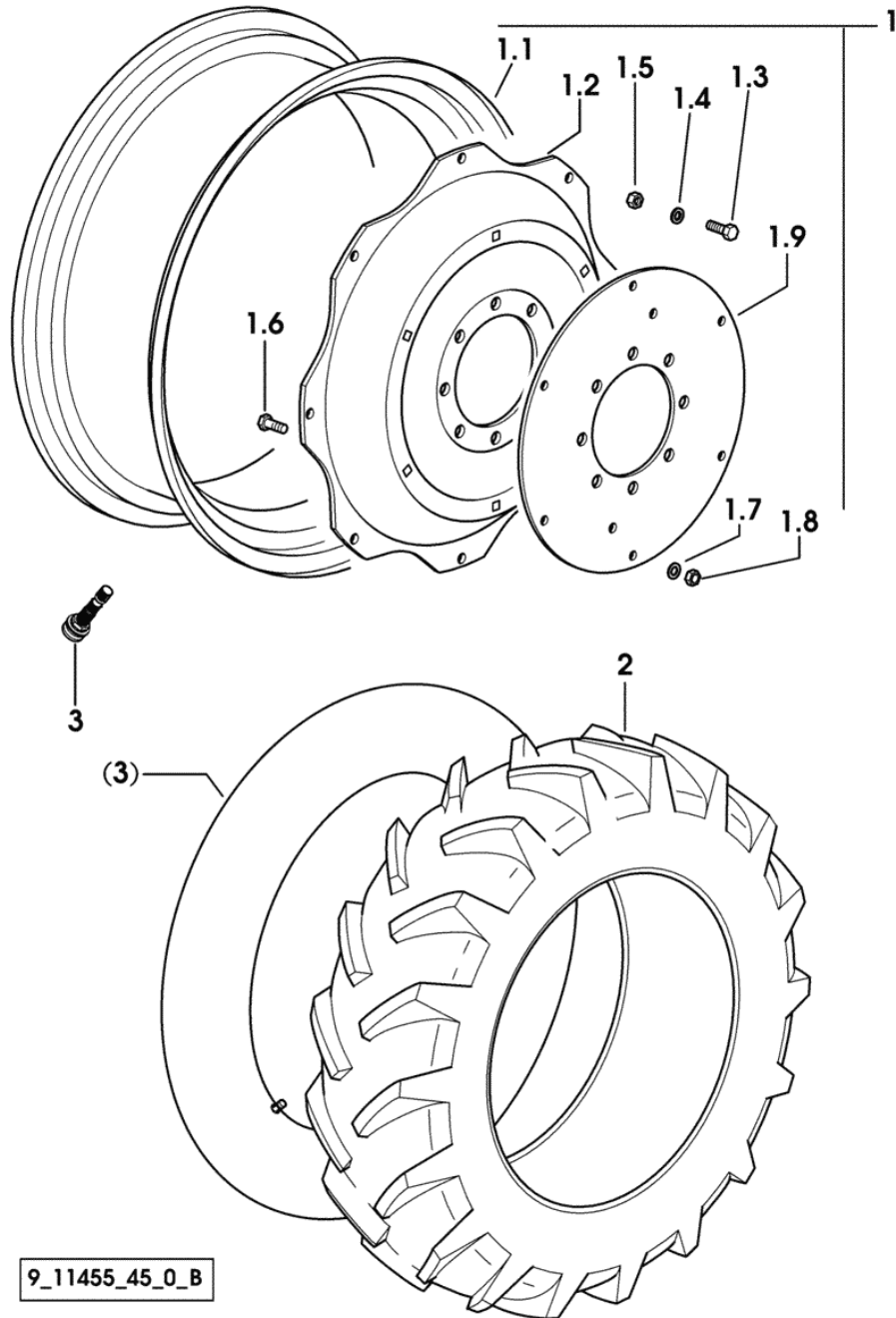
Section: WHEELS  
**WHEELS 650/65R38"**

Fig.	Code	QTY	Name
------	------	-----	------

Notes:

3560 <- X SILVER 160

1	0.000.0000.1	0	not serviceable
1.1	0.011.6555.3	1	rim DWW 18Lx38"C/ST.
1.2	0.241.5527.0	1	rim center flange
1.3	2.0399.090.6/10	8	screw m 18 p.1.5x125
1.4	2.1499.018.6	8	conical washer 18 x 35.5
1.5	2.1019.060.6	8	nut m 18 p.1.5
1.6	2.0122.617.6	6	screw m 16 p.1.5x45
1.7	2.1310.010.6	6	washer 17x30
1.8	2.1019.059.6	6	nut m 16 p.1.5 x 16
1.9	0.009.1672.0	1	brace
2	2.4811.128.0	2	tyre 650/65R38" 154 A8
3	0.012.6364.0	2	valve



9\_11455\_45\_0\_B

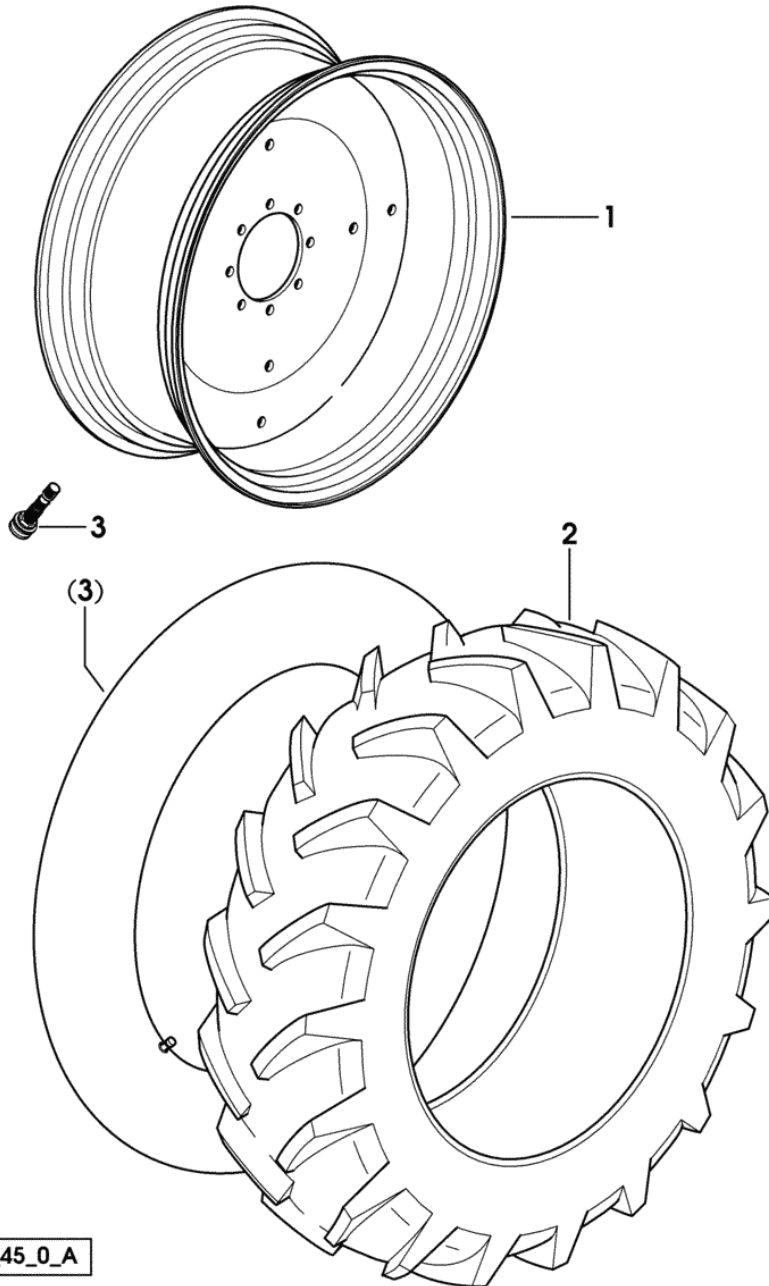
Section: WHEELS  
**WHEELS 650/65R38"**

Fig.	Code	QTY	Name
------	------	-----	------

Notes:

-> 3561 X SILVER 160

1	0.012.3098.3	2	rim DWW18LX38"
2	2.4811.128.0	2	tyre 650/65R38" 154 A8
3	0.012.6364.0	2	valve



9\_11455\_45\_0\_A